

**louis poulsen**

The image features a minimalist, modern aesthetic. Two identical lamps are positioned on a white, stepped rectangular platform. Each lamp has a black, adjustable arm and a white, bowl-shaped shade. The background is a plain, light gray wall. The overall composition is clean and architectural.

# PRICE LIST

RECOMMENDED RETAIL PRICE 2023

# CONTACT

Louis Poulsen A/S  
Kuglegårdsvej 19-23  
DK-1434 Copenhagen K

Phone: +45 70 33 14 14  
[international@louispoulsen.dk](mailto:international@louispoulsen.dk)

DESIGN TO SHAPE LIGHT

# Table of Contents

Please note that prices displayed have been rounded up to nearest number and may not match invoiced totals absolutely



5  
AJ Eklipta



6  
LP Circle Surface Mounted



7  
LP Grand Surface Mounted



9  
LP Slim Box Surface Mounted



10  
LP Slim Round Surface Mounted



11  
Ripis



12  
Silverback Ceiling/Wall



13  
AH Mini



14  
Ballerup



15  
Ballerup Mini



16  
Basic Mini



17  
LP Circle Recessed



18  
LP Circle Semi Recessed



19  
LP Slim Box Recessed



20  
LP Slim Box Semi-Recessed



21  
LP Slim Round Recessed



23  
LP Slim Round Semi Recessed



25  
Munkegaard



26  
Munkegaard Mini



27  
Above



28  
AJ Royal



29  
Cirque



30  
Collage 450/600



31  
Dependant



32  
Doo-Wop



33  
Enigma 425



34  
Enigma 545



35  
Enigma 825



36  
Keglen



37  
LC Shutters



38  
LP Circle Suspended



39  
LP Grand Suspended



41  
LP Slim Box Suspended



43  
LP Slim Round Suspended



44  
Moser



45  
OE Quasi Light



46  
Patera



48  
Patera Oval



49  
PH 2/1 Pendant



50  
PH 2/1 Stem Fitting



51  
PH 3/2 Academy



52  
PH 3/2 Pendant



53  
PH 3/3 Pendant



54  
PH 3½-3 Glass Pendant



55  
PH 3½-3 Pendant



56  
PH 4/3 Pendant



57  
PH 4½-4 Glass Pendant



58  
PH 5



60  
PH 5 Mini



61  
PH 5/5 Pendant



62  
PH 5-4½ & PH 6½-6



63  
PH Artichoke



66  
PH Artichoke Glass



68  
PH Louvre



69  
PH Septima



70  
PH Snowball



71  
Silverback Suspended



72  
Toldbod 155/220 Glass Pendant



73  
Toldbod Pendant



74  
VL Ring Crown 1



75  
VL Ring Crown 3-5-7



76  
VL45 Radiohus Pendant



77  
Wohliert



78  
AJ Mini Table



79  
AJ Oxford Table Lamp



80  
AJ Table



81  
Keglen Table



82  
NJP Mini



83  
NJP Table



85  
Panthella MINI



87  
Panthella Portable V2



88  
Panthella Table



89  
Panthella Table 320



90  
PH 2/1 Table



91  
PH 3/2 Table



92  
PH 3½-2½ Glass Table



93  
PH 3½-2½ Table



94  
PH 4/3 Table



95  
PH 4½-3½ Glass Table



96  
VL38 Table



97  
Yuh Table



98  
AJ Eklipsta



99  
AJ Wall



100  
Keglen Wall



101  
LP Grand Wall



103  
LP Slim Round Wall



104  
NJP Wall



105  
NJP Wall Box



106  
PH 2/1 Wall



107  
PH 3/2 Wall



108  
PH Hat



109  
Ripis



110  
Silverback Ceiling/Wall



111  
VL Ring Crown Wall



112  
VL Studio Wall



113  
VL38 Wall



114  
Yuh Wall



115  
AJ Floor



116  
Keglen Floor



117  
Moonsetter



118  
NJP Floor



119  
Panthella Floor



120  
PH 3½-2½ Floor



121  
PH 4½-3½ Glass Floor



122  
PH 80



123  
VL Studio Table/Floor



124  
VL38 Floor



125  
Yuh Floor



126  
AJ 50 Wall



127  
AJ Eklipsta



128  
Albertslund Wall



129  
Flindt Wall



130  
LP Icon Wall



131  
Nyhavn Wall



132  
PH 3-2½ Wall



133  
PH Wall



134  
Skot Wall



135  
Toldbod 155 Wall



136  
Toldbod 220/290 Wall



137  
AL 600



138  
Kipp Wall



139  
Skot Ceiling



140  
AJ Garden Bollard



142  
Bysted



143  
Bysted Garden Bollard



145  
Flindt Bollard



147  
Flindt Garden Bollard



149  
Kipp Bollard



150  
PH 3-2 1/2 Bollard



151  
Skot Bollard



153  
Toldbod 155 Bollard



154  
Waterfront



155  
Albertslund Maxi Post



156  
Albertslund Mini Post



158  
Flindt Plaza



161  
Homann Park



163  
Kipp Post



165  
LP Capsule



167  
LP Icon



170  
LP Nest



171  
LP Xperi



174  
Toldbod 290 Post



175  
Albertslund Maxi LED Upgrade Kit



177  
Albertslund Mini LED Upgrade Kit



179  
Bysted LED Upgrade Kit



180  
Kipp LED Upgrade Kit



181  
LP Icon LED Upgrade Kit



183  
Skot LED Upgrade Kit



184  
Toldbod 290 LED Upgrade Kit



185  
Radiis 109



187  
Radiis 210

# AJ Eklipta

## Mounted

Design: Arne Jacobsen

**Concept:** The fixture emits soft comfortable light. The glass is designed to provide a uniformly lit surface. The three-layer mouth-blown opal glass shade has a transparent edge, providing a decorative halo of light around the fixture.

**Finish:** White, powder coated. White opal glass.

**Material:** Ceiling/Wall box: Die cast aluminium or spun aluminium. Diffuser: Mouth-blown white opal glass.

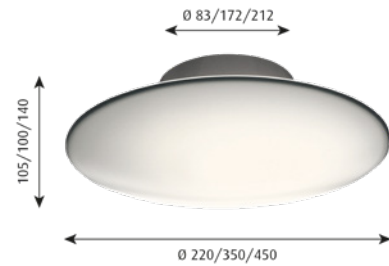
**Mounting:** Terminal block: Ø 220: 3x2,5mm<sup>2</sup>, Ø 350/Ø 450: 5x2,5mm<sup>2</sup>. Looping: Approved, Ø 220: Max. 3x1,5mm<sup>2</sup>, Ø 350mm/Ø 450: Max. 5x1,5mm<sup>2</sup>. Ballast positioning: In ceiling/wall box.

**Weight:** Max. 4kg.

**Class:** Ingress protection. LED ceiling/wall: IP20. Ø220: IP20. E27 Ø350/450 Ceiling: IP20. E27 Ø350/450 Wall: IP44. Electric shock protection I w. ground.

**Info notes:** Only Wall mounted E27 versions for outdoor use. For LED fixtures without glass or LED replacement kits please contact Louis Poulsen. The innovation of the LED technology is constant. The specifications mentioned are based on present technology.

Ø220: Compatible with leading edge mains dimmers. Please note that low power consumption on some products can affect dimming properties.



Dimensions	Light source	Lumen	Finish	Class	Shield/Diffuser	Body	Mounting	Lighting control	Efficacy	Order-no.	RRP €
Ø 220	1x33W G9		White	I	WHT OPAL	BOX W/O SIDE CABLE HOLES	WALL & CEILING			5743155563	544
Ø 220	LED 2700K 7.8W	324	White	I	WHT OPAL	BOX W/O SIDE CABLE HOLES	WALL & CEILING		42	5743591981	576
Ø 220	LED 3000K 7.6W	334	White	I	WHT OPAL	BOX W/O SIDE CABLE HOLES	WALL & CEILING		44	5743591994	576
Ø 350	LED 3000K 8.8W		White	I	WHT OPAL	BOX W/SIDE CABLE HOLES	WALL & CEILING	MOTION SENSOR **		-	Contact LP
Ø 350	LED 3000K 8.8W	657	White	I	WHT OPAL	BOX W/SIDE CABLE HOLES	WALL & CEILING	DALI	75	5743592207	1,114
Ø 450	1x60W E27		White	I	WHT OPAL	BOX W/SIDE CABLE HOLES	WALL & CEILING			5743155424	836
Ø 450	LED 3000K 23W		White	I	WHT OPAL	BOX W/SIDE CABLE HOLES	WALL & CEILING	MOTION SENSOR **		-	Contact LP
Ø 450	LED 3000K 23W	1770	White	I	WHT OPAL	BOX W/SIDE CABLE HOLES	WALL & CEILING	DALI	77	5743168987	1,508
<b>Sparepart</b>											
AJ Eklipta Ø220 replacement kit LED 27K90										5743156669	136
AJ Eklipta Ø220 replacement kit LED 3K90										5743156889	136
AJ Eklipta Ø350 replacement kit LED 3K90										5743156737	291
AJ Eklipta Ø220 glass										5743590005	313
AJ Eklipta Ø350 glass										5743590018	338
AJ Eklipta Ø450 glass										5743590021	475
AJ Eklipta Ø220 diffuser KIT										5743591305	89

\*\*Please specify upon ordering.

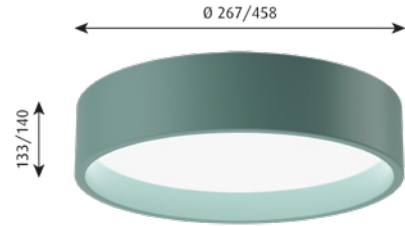


# LP Circle Surface Mounted

## Mounted

Design: Mikkel Beedholm/KHR Architecture

**Concept:** The fixture emits diffused light via a high-efficiency acrylic diffuser. The diffuser, which is encircled by a voluminous coloured or white ring, is hidden when viewed from low angles. Angling the inner side of the reflector ring 5° creates a comfortable and decorative gradation of the light from the diffuser. The luminaire „floats“ 34 mm below the ceiling, creating a visual lightness.



**Finish:** White, Black, Pale Petroleum or Yellow. Powder coated.

**Material:** Reflector: Deep drawn aluminium. Diffuser: Acrylic, frosted or micro prismatic. Installation lock: Polyamide.

**Mounting:** Directly on ceiling. Built-in driver. Terminal strip: 5x1.5mm<sup>2</sup>. Looping: Approved, max 5x1.5mm<sup>2</sup>. Cable entries: Rear, Side-mounted.

**Weight:** Max 2,3kg. (Ø 260). Max 5kg. (Ø 450).

**Class:** Ingress protection IP20. Electric shock protection I.

**Info notes:** LED technology is constantly developing. The specifications given are based on existing technology. For LED replacement kit please do contact Louis Poulsen. Please contact Louis Poulsen for the following versions: LP Circle Ø 450 HO: High output for projects with high ceilings or where high illumination is required. LP Circle Ø 450 with microprismatic diffuser for UGR <19 (CIE 117). If you have special requirements concerning colour temperature, IP class, emergency lighting solutions or other modifications to the LP Circle model, please contact Louis Poulsen.

Dimensions	Light source	Lumen	Finish	Class	Shield/Diffuser	Mounting	Lighting control	Efficacy	Order-no.	RRP €
Ø 260	LED 3000K (ra90)		White	I	PRISMATIC	SURFACE MOUNTED	DALI/SWITCH-DIM		5742587857	976
Ø 260	LED 3000K 13W	1065	Black	I	OPAL	SURFACE MOUNTED	DALI/SWITCH-DIM	82	5742580731	829
Ø 260	LED 3000K 13W	1126	Pale Petroleum	I	OPAL	SURFACE MOUNTED	DALI/SWITCH-DIM	87	5742587666	829
Ø 260	LED 3000K 13W	1334	White	I	OPAL	SURFACE MOUNTED	DALI/SWITCH-DIM	103	5742583699	829
Ø 260	LED 3000K 13W	1232	Yellow	I	OPAL	SURFACE MOUNTED	DALI/SWITCH-DIM	95	5742587679	829
Ø 260	LED 4000K (ra90)		White	I	PRISMATIC	SURFACE MOUNTED	DALI/SWITCH-DIM		5742587860	976
Ø 260	LED 4000K 13W	1377	White	I	OPAL	SURFACE MOUNTED	DALI/SWITCH-DIM	106	5742587802	829
Ø 260	LED KELVIN ADJUSTABLE	1251	White	I	OPAL	SURFACE MOUNTED	DALI KELVIN ADJUSTABLE	78	5742587585	936
Ø 260	LED KELVIN ADJUSTABLE		White	I	PRISMATIC	SURFACE MOUNTED	DALI KELVIN ADJUSTABLE		5742587873	1,083
Ø 450	LED 3000K 25W	2341	Black	I	OPAL	SURFACE MOUNTED	DALI/SWITCH-DIM	94	5742580689	1,182
Ø 450	LED 3000K 25W	2432	Pale Petroleum	I	OPAL	SURFACE MOUNTED	DALI/SWITCH-DIM	97	5742587747	1,182
Ø 450	LED 3000K 25W	2706	White	I	OPAL	SURFACE MOUNTED	DALI/SWITCH-DIM	108	5742583592	1,182
Ø 450	LED 3000K 25W	2577	Yellow	I	OPAL	SURFACE MOUNTED	DALI/SWITCH-DIM	103	5742587750	1,182
Ø 450	LED 3000K 35W	4007	White	I	OPAL	SURFACE MOUNTED	DALI HIGH OUTPUT	114	5742587886	1,304
Ø 450	LED 3000K 35W	3683	White	I	PRISMATIC	SURFACE MOUNTED	DALI HIGH OUTPUT	105	5742587899	1,451
Ø 450	LED 4000K 25W	2793	White	I	OPAL	SURFACE MOUNTED	DALI/SWITCH-DIM	112	5742583495	1,182
Ø 450	LED 4000K 25W	2449	White	I	PRISMATIC	SURFACE MOUNTED	DALI/SWITCH-DIM	98	5742587925	1,329
Ø 450	LED 4000K 35W	4136	White	I	OPAL	SURFACE MOUNTED	DALI HIGH OUTPUT	118	5742587909	1,304
Ø 450	LED 4000K 35W	3802	White	I	PRISMATIC	SURFACE MOUNTED	DALI HIGH OUTPUT	109	5742587912	1,451
Ø 450	LED KELVIN ADJUSTABLE	2659	White	I	OPAL	SURFACE MOUNTED	DALI KELVIN ADJUSTABLE	98	5742587598	1,289
Ø 450	LED KELVIN ADJUSTABLE		White	I	PRISMATIC	SURFACE MOUNTED	DALI KELVIN ADJUSTABLE		5742587938	1,436
<b>Sparepart</b>										
	Circle Ø260 diffuser opal								5742583657	135
	Circle Ø450 diffuser opal								5742583660	172
	Circle Ø260 replacement kit LED 3K90								5741087824	270
	Circle Ø260 replacement kit LED 4K90								5741087837	270
	Circle Ø450 replacement kit LED 3K90								5741087840	277
	Circle Ø450 replacement kit LED 4K90								5741087853	277
<b>Accessories</b>										
	Circle Ø450 prismatic diffuser								5742583644	197

Please contact Louis Poulsen for 4000K or Kelvin Adjustable in additional finishes.

# LP Grand Surface Mounted

## Mounted

Design: Christian Flindt

**Concept:** The circular luminaire emits a combination of softly diffused, glare-free, downwardly directed light and reflected indirect light from its curved upper rings. A large angled reflector encircles the diffuser and reduces the contrast around the edge. The top reflector is perfectly curved to distribute uplight at a broad angle. A colored outer shade surrounds the reflector and creates an interreflection of light, resulting in a graceful glow on the outside of the top and bottom reflectors. In total, it creates four rings of light surrounding the central diffuser.

**Finish:** Reflector: Matte-white satin finish.  
Outer shade (outside): Matte (black and champagne) or gloss (white). Wet-painted surface. Diffuser: Glossy.

**Material:** Ø320:  
Top reflector: ABS.  
Bottom reflector: ABS.  
Outer shade: ABS.  
Diffusor: PMMA.  
Housing: Die-cast Aluminum.

Ø580:  
Top reflector: ABS.  
Bottom reflector: PE.  
Outer shade: ABS.  
Diffusor: PMMA.  
Housing: ABS.

Ø880:  
Top reflector: PE.  
Bottom reflector: PE.  
Outer shade: ABS.  
Diffusor: PMMA.  
Housing: ABS.

Ø1480:  
Top reflector: PE.  
Bottom reflector: PE.  
Outer shade: ABS.  
Diffusor: PMMA.  
Housing: ABS.

**Mounting:** Ø320:  
Cable entries: Rear or side-entry.  
Driver integrated into ceiling/wall box.  
Looping: Max. 5 x 2.5 mm<sup>2</sup>.

Ø580/Ø880/Ø1480:  
Ceiling bracket: Yes.  
Loose cable with plug for primary side of installation included in pack.  
Looping: No.

**Weight:** Max. Ø320: 2,6kg.  
Max. Ø580: 6 kg.  
Max. Ø880: 16 kg.  
Max. Ø1480: 55 kg.

**Class:** Ingress protection IP20. Electric shock protection I w/ground.

**Info notes:** LP Grand 320 will not be launched in Japan.



Dimensions	Light source	Lumen	Finish	Class	Light technique	Mounting	Lighting control	Efficacy	Order-no.	RRP €
Ø 1480	LED 3000K 199W	21442	Black	I	W/UPLIGHT	SURFACE MOUNTED	DALI	108	5742584724	12,276
Ø 1480	LED 3000K 199W	21442	Champagne	I	W/UPLIGHT	SURFACE MOUNTED	DALI	108	5742584711	12,276
Ø 1480	LED 3000K 199W	21442	White	I	W/UPLIGHT	SURFACE MOUNTED	DALI	108	5742584708	12,276
Ø 1480	LED 3000K/4000K 151W		-**	I	W/O UPLIGHT	SURFACE MOUNTED	DALI		-	Contact LP
Ø 1480	LED 4000K 199W		-**	I	W/UPLIGHT	SURFACE MOUNTED	DALI		-	Contact LP
Ø 320	LED 2700K 12W	1052	Black	I	W/UPLIGHT	WALL & SURFACE MOUNTED	PHASE DIMMING (MAINS DIMM)	88	5741108541	1,168

Dimensions	Light source	Lumen	Finish	Class	Light technique	Mounting	Lighting control	Efficacy	Order-no.	RRP €
Ø 320	LED 2700K 12W	1052	Black	I	W/UPLIGHT	WALL & SURFACE MOUNTED	DALI	88	5741108512	1,168
Ø 320	LED 2700K 12W	1052	Champagne	I	W/UPLIGHT	WALL & SURFACE MOUNTED	DALI	88	5741108509	1,168
Ø 320	LED 2700K 12W	1052	Champagne	I	W/UPLIGHT	WALL & SURFACE MOUNTED	PHASE DIMMING (MAINS DIMM)	88	5741108538	1,168
Ø 320	LED 2700K 12W	1052	White	I	W/UPLIGHT	WALL & SURFACE MOUNTED	DALI	88	5741108499	1,168
Ø 320	LED 2700K 12W	1052	White	I	W/UPLIGHT	WALL & SURFACE MOUNTED	PHASE DIMMING (MAINS DIMM)	88	5741108525	1,168
Ø 320	LED 3000K 12W	1151	Black	I	W/UPLIGHT	WALL & SURFACE MOUNTED	DALI	96	5741108570	1,168
Ø 320	LED 3000K 12W	1151	Black	I	W/UPLIGHT	WALL & SURFACE MOUNTED	PHASE DIMMING (MAINS DIMM)	96	5741108606	1,168
Ø 320	LED 3000K 12W	1151	Champagne	I	W/UPLIGHT	WALL & SURFACE MOUNTED	DALI	96	5741108567	1,168
Ø 320	LED 3000K 12W	1151	Champagne	I	W/UPLIGHT	WALL & SURFACE MOUNTED	PHASE DIMMING (MAINS DIMM)	96	5741108596	1,168
Ø 320	LED 3000K 12W	1151	White	I	W/UPLIGHT	WALL & SURFACE MOUNTED	DALI	96	5741108554	1,168
Ø 320	LED 3000K 12W	1151	White	I	W/UPLIGHT	WALL & SURFACE MOUNTED	PHASE DIMMING (MAINS DIMM)	96	5741108583	1,168
Ø 320	LED 4000K 12W	1166	Black	I	W/UPLIGHT	WALL & SURFACE MOUNTED	DALI	97	5741108635	1,168
Ø 320	LED 4000K 12W	1166	Black	I	W/UPLIGHT	WALL & SURFACE MOUNTED	PHASE DIMMING (MAINS DIMM)	97	5741108664	1,168
Ø 320	LED 4000K 12W	1166	Champagne	I	W/UPLIGHT	WALL & SURFACE MOUNTED	DALI	97	5741108622	1,168
Ø 320	LED 4000K 12W	1166	Champagne	I	W/UPLIGHT	WALL & SURFACE MOUNTED	PHASE DIMMING (MAINS DIMM)	97	5741108651	1,168
Ø 320	LED 4000K 12W	1166	White	I	W/UPLIGHT	WALL & SURFACE MOUNTED	DALI	97	5741108619	1,168
Ø 320	LED 4000K 12W	1166	White	I	W/UPLIGHT	WALL & SURFACE MOUNTED	PHASE DIMMING (MAINS DIMM)	97	5741108648	1,168
Ø 580	LED 3000K 59W	5159	Black	I	W/UPLIGHT	SURFACE MOUNTED	DALI	87	5742584669	2,224
Ø 580	LED 3000K 59W	5159	Champagne	I	W/UPLIGHT	SURFACE MOUNTED	DALI	87	5742584656	2,224
Ø 580	LED 3000K 59W	5159	White	I	W/UPLIGHT	SURFACE MOUNTED	DALI	87	5742584643	2,224
Ø 580	LED 3000K/4000K 44W		**	I	W/O UPLIGHT	SURFACE MOUNTED	DALI	-	-	Contact LP
Ø 580	LED 4000K 59W		**	I	W/UPLIGHT	SURFACE MOUNTED	DALI	-	-	Contact LP
Ø 880	LED 3000K 106W	11010	Black	I	W/UPLIGHT	SURFACE MOUNTED	DALI	104	5742584698	4,581
Ø 880	LED 3000K 106W	11010	Champagne	I	W/UPLIGHT	SURFACE MOUNTED	DALI	104	5742584685	4,581
Ø 880	LED 3000K 106W	11010	White	I	W/UPLIGHT	SURFACE MOUNTED	DALI	104	5742584672	4,581
Ø 880	LED 3000K/4000K 82W		**	I	W/O UPLIGHT	SURFACE MOUNTED	DALI	-	-	Contact LP
Ø 880	LED 4000K 109W		**	I	W/UPLIGHT	SURFACE MOUNTED	DALI	-	-	Contact LP
<b>Sparepart</b>										
LP Grand Ø1480 replacement kit LED 3K90									5741092851	2,557
LP Grand Ø580 replacement kit LED 3K									5741098127	208
LP Grand Ø580 replacement kit LED 3K90									5741092835	277
LP Grand Ø580 replacement kit LED 3K UPLI									5741099498	277
LP Grand Ø880 replacement kit LED 3K UPLI									5741099508	484
LP Grand Ø880 replacement kit LED 3K90									5741092848	760
LP Grand Ø1480 replacement kit LED 3K UPL									5741099511	829

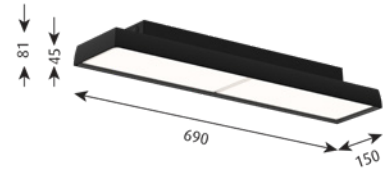
\*\*Please specify upon ordering.

# LP Slim Box Surface Mounted

## Mounted

Design: Louis Poulsen A/S

**Concept:** The product family shares a high-efficiency light unit framed in a rectangular housing. The recessed variants emit downwardly directed light, while the suspended and surface-mounted variants provide a combination of primarily downwardly directed and indirect light. Choosing between opal diffusers or micro-prismatic solutions, the glare and visual expression can be balanced as desired. The light egress emphasizes the design detail in the housing, ensuring a comfortable and subtle yet distinct design.



**Finish:** White or black, powder coated or clear lacquered, pickled aluminium.

**Material:** Frame/Housing: Die cast Aluminium, Light Engine bottom: Acrylic (Opal or clear). Light Engine top: Acrylic opal.

**Mounting:** Directly on ceiling or wall. Looping: Approved, max. 5 x 1.5 mm<sup>2</sup>. Integrated driver. Cable entries: Rear, side-mounted. Integrated driver. It can be positioned both vertically and horizontally for wall-mounting.

**Weight:** Max. 4 kg.

**Class:** Ingress protection IP20. Electric shock protection I.

Light source	Lumen	Finish	Shield/Diffuser	Mounting	Lighting control	Efficacy	Order-no.	RRP €
LED 3000K 25W	2295	Black	MICRO PRISMATIC	SURFACE MOUNTED	DALI	92	5742588322	1,150
LED 3000K 25W	2295	Black	MICRO PRISMATIC	SURFACE MOUNTED	WIRELESS BLUETOOTH	92	5742588429	1,346
LED 3000K 25W	2304	Black	OPAL	SURFACE MOUNTED	DALI	92	5742588270	1,106
LED 3000K 25W	2304	Black	OPAL	SURFACE MOUNTED	WIRELESS BLUETOOTH	92	5742588377	1,301
LED 3000K 25W	2319	Dark Aluminium Raw	MICRO PRISMATIC	SURFACE MOUNTED	DALI	93	5742588335	1,150
LED 3000K 25W	2319	Dark Aluminium Raw	MICRO PRISMATIC	SURFACE MOUNTED	WIRELESS BLUETOOTH	93	5742588432	1,346
LED 3000K 25W	2342	Dark Aluminium Raw	OPAL	SURFACE MOUNTED	DALI	94	5742588283	1,106
LED 3000K 25W	2342	Dark Aluminium Raw	OPAL	SURFACE MOUNTED	WIRELESS BLUETOOTH	94	5742588380	1,301
LED 3000K 25W	2451	White	MICRO PRISMATIC	SURFACE MOUNTED	DALI	98	5742588319	1,150
LED 3000K 25W	2451	White	MICRO PRISMATIC	SURFACE MOUNTED	WIRELESS BLUETOOTH	98	5742588416	1,346
LED 3000K 25W	2621	White	OPAL	SURFACE MOUNTED	DALI	105	5742588267	1,106
LED 3000K 25W	2621	White	OPAL	SURFACE MOUNTED	WIRELESS BLUETOOTH	105	5742588364	1,301
LED 3000K 35W	3312	White	MICRO PRISMATIC	SURFACE MOUNTED	DALI HIGH OUTPUT	95	5742588490	1,248
LED 3000K 35W	3312	White	MICRO PRISMATIC	SURFACE MOUNTED	WIRELESS BLUETOOTH HO	95	5742588555	1,443
LED 3000K 35W	3538	White	OPAL	SURFACE MOUNTED	DALI HIGH OUTPUT	101	5742588461	1,203
LED 3000K 35W	3538	White	OPAL	SURFACE MOUNTED	WIRELESS BLUETOOTH HO	101	5742588526	1,399
LED 4000K 25W	2514	White	MICRO PRISMATIC	SURFACE MOUNTED	DALI	101	5742588348	1,150
LED 4000K 25W	2514	White	MICRO PRISMATIC	SURFACE MOUNTED	WIRELESS BLUETOOTH	101	5742588445	1,346
LED 4000K 25W	2688	White	OPAL	SURFACE MOUNTED	DALI	108	5742588296	1,106
LED 4000K 25W	2688	White	OPAL	SURFACE MOUNTED	WIRELESS BLUETOOTH	108	5742588393	1,301
LED 4000K 35W	3397	White	MICRO PRISMATIC	SURFACE MOUNTED	DALI HIGH OUTPUT	97	5742588500	1,248
LED 4000K 35W	3397	White	MICRO PRISMATIC	SURFACE MOUNTED	WIRELESS BLUETOOTH HO	97	5742588568	1,443
LED 4000K 35W	3628	White	OPAL	SURFACE MOUNTED	DALI HIGH OUTPUT	104	5742588474	1,203
LED 4000K 35W	3628	White	OPAL	SURFACE MOUNTED	WIRELESS BLUETOOTH HO	104	5742588539	1,399
LED KELVIN ADJUSTABLE	3087	White	MICRO PRISMATIC	SURFACE MOUNTED	DALI HIGH OUTPUT	88	5742588513	1,507
LED KELVIN ADJUSTABLE	3087	White	MICRO PRISMATIC	SURFACE MOUNTED	WIRELESS BLUETOOTH HO	88	5742588571	1,670
LED KELVIN ADJUSTABLE	2284	White	MICRO PRISMATIC	SURFACE MOUNTED	DALI	91	5742588351	1,410
LED KELVIN ADJUSTABLE	2284	White	MICRO PRISMATIC	SURFACE MOUNTED	WIRELESS BLUETOOTH	91	5742588458	1,573
LED KELVIN ADJUSTABLE	3297	White	OPAL	SURFACE MOUNTED	DALI HIGH OUTPUT	94	5742588487	1,463
LED KELVIN ADJUSTABLE	3297	White	OPAL	SURFACE MOUNTED	WIRELESS BLUETOOTH HO	94	5742588542	1,625
LED KELVIN ADJUSTABLE	2443	White	OPAL	SURFACE MOUNTED	DALI	98	5742588306	1,365
LED KELVIN ADJUSTABLE	2443	White	OPAL	SURFACE MOUNTED	WIRELESS BLUETOOTH	98	5742588403	1,528

# LP Slim Round Surface Mounted

## Mounted

Design: Louis Poulsen A/S

**Concept:** The slim housing encircles a high-efficient acrylic diffuser emitting diffused primarily downward directed light. The slim body has a slight curvature and an inner curve which reduces contrast. The product family comes in a range of sizes and mounting options for a wide range of applications. Surface mounted and suspended versions have an indirect light component.

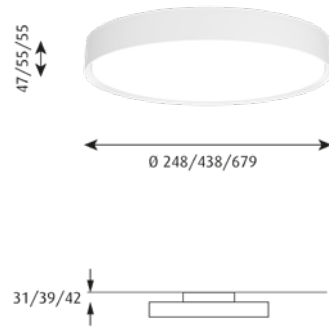
**Finish:** White or black, powder coated or clear lacquered, pickled aluminium.

**Material:** Reflector: Die cast aluminium. Diffuser: Acrylic, opal or micro prismatic. Installation lock: Aluminium.

**Mounting:** Directly on ceiling.  
**Looping:** Approved, max 5 x 2.5 mm<sup>2</sup>.  
**Cable entries:** Rear, Side-mounted.  
**Driver integrated.**

**Weight:** Max: 8kg

**Class:** Ingress protection IP20. Electric shock protection I.



Dimensions	Light source	Lumen	Finish	Class	Shield/Diffuser	Mounting	Lighting control	Efficacy	Order-no.	RRP €
Ø 250	LED 3000K 13W	1092	Black	I	OPAL	SURFACE MOUNTED	DALI	84	5742584070	836
Ø 250	LED 3000K 13W	1092	Dark Aluminium Raw	I	OPAL	SURFACE MOUNTED	DALI	84	5742584779	836
Ø 250	LED 3000K 13W	1254	White	I	OPAL	SURFACE MOUNTED	DALI	96	5742584041	836
Ø 250	LED 3000K 13W	1149	White	I	PRISMATIC	SURFACE MOUNTED	DALI	88	5742585215	983
Ø 250	LED 4000K 13W	1279	White	I	OPAL	SURFACE MOUNTED	DALI	98	5742584054	836
Ø 250	LED 4000K 13W	1142	White	I	PRISMATIC	SURFACE MOUNTED	DALI	88	5742585228	983
Ø 250	LED KELVIN ADJUSTABLE	1232	White	I	OPAL	SURFACE MOUNTED	DALI KELVIN ADJUSTABLE	77	5742584067	943
Ø 250	LED KELVIN ADJUSTABLE		White	I	PRISMATIC	SURFACE MOUNTED	DALI KELVIN ADJUSTABLE		5742585231	1,090
Ø 440	LED 3000K 13W	1149	White	I	PRISMATIC	SURFACE MOUNTED	DALI	88	5742585244	1,443
Ø 440	LED 3000K 25W	2404	Black	I	OPAL	SURFACE MOUNTED	DALI	96	5742584135	1,296
Ø 440	LED 3000K 25W	2404	Dark Aluminium Raw	I	OPAL	SURFACE MOUNTED	DALI	96	5742584805	1,296
Ø 440	LED 3000K 25W	2659	White	I	OPAL	SURFACE MOUNTED	DALI	106	5742584106	1,296
Ø 440	LED 3000K 35W	3617	White	I	PRISMATIC	SURFACE MOUNTED	DALI HIGH OUTPUT	103	5742585299	1,565
Ø 440	LED 4000K 25W	2714	White	I	OPAL	SURFACE MOUNTED	DALI	109	5742584119	1,296
Ø 440	LED 4000K 25W	2401	White	I	PRISMATIC	SURFACE MOUNTED	DALI	96	5742585257	1,443
Ø 440	LED 4000K 35W	3993	White	I	OPAL	SURFACE MOUNTED	DALI HIGH OUTPUT	114	5742585286	1,419
Ø 440	LED 4000K 35W	3690	White	I	PRISMATIC	SURFACE MOUNTED	DALI HIGH OUTPUT	105	5742585309	1,565
Ø 440	LED KELVIN ADJUSTABLE	2499	White	I	OPAL	SURFACE MOUNTED	DALI KELVIN ADJUSTABLE	93	5742584122	1,402
Ø 440	LED KELVIN ADJUSTABLE		White	I	PRISMATIC	SURFACE MOUNTED	DALI KELVIN ADJUSTABLE		5742585260	1,549
Ø 680	LED 3000K 46W	4667	White	I	PRISMATIC	SURFACE MOUNTED	DALI	101	5742585370	2,634
Ø 680	LED 3000K 53W	5861	Black	I	OPAL	SURFACE MOUNTED	DALI	111	5742584193	2,487
Ø 680	LED 3000K 53W	5861	Dark Aluminium Raw	I	OPAL	SURFACE MOUNTED	DALI	111	5742584834	2,487
Ø 680	LED 3000K 53W	6262	White	I	OPAL	SURFACE MOUNTED	DALI	118	5742584164	2,487
Ø 680	LED 4000K 46W	4762	White	I	PRISMATIC	SURFACE MOUNTED	DALI	104	5742585383	2,634
Ø 680	LED 4000K 53W	6389	White	I	OPAL	SURFACE MOUNTED	DALI	121	5742584177	2,487

### Sparepart

Slim Round Ø250 diffuser opal	5742584737	134
Slim Round Ø250 replacement kit LED 3K90	5741087963	147
Slim Round Ø250 replacement kit LED 4K90	5741087976	147
Slim Round Ø250 replacement kit LED KA90	5741088344	172
Slim Round Ø440 diffuser opal	5742584740	172
Slim Round Ø680 diffuser opal	5742584627	186
Slim Round Ø440 replacement kit LED 3K90	5741087989	310
Slim Round Ø440 replacement kit LED 4K90	5741087992	310
Slim Round Ø440 replacement kit LED KA90	5741088357	344
Slim Round Ø680 R/SR/S replacement kit LED 3K90	5741087947	966
Slim Round Ø680 R/SR/P replacement kit LED 4K90	5741087950	966
Slim Round Ø680 replacement kit LED KA90	5741088360	966

Please contact Louis Poulsen for 4000K or Kelvin Adjustable in additional finishes.

# Ripls

## Mounted

Design: Jakob Wagner

**Concept:** The fixture emits diffused light. The front consist of a concave clear front with ripples like rings in water. The ripples refract light in the front creating a subtle change of appearance depending on viewing angle. The concave form outlines the refraction creating a higher intensity light towards the center fading off towards the edges. A diffuser offset sits deep in the fixture creating a sense of depth in the front. A slim housing creates the appearance of a floating disk while perforations in the opaque housing allows indirect light to create a halo around the fixture.



**Finish:** White opal diffuser and clear reflective front. Satin matt white.

**Material:** Rear housing: Injection molded polycarbonate. Diffuser: Opalescent PMMA. Clear front: Clear UV resistant polycarbonate.

**Mounting:** Terminal strip: 1x5x2.5mm<sup>2</sup>. Cable access: 2 rear, Ø19mm or side mounting. Prepared for looping: Approved, max. 5x1.5mm<sup>2</sup>.

**Weight:** Max. 3.7 kg.

**Class:** Ingress protection IP20. Electric shock protection I.

**Info notes:** Please contact Louis Poulsen for Switch-DIM, Wireless bluetooth control, other colour temperatures, Kelvin adjustable or LED replacement kit.

Dimensions	Light source	Lumen	Finish	Class	Mounting	Lighting control	Efficacy	Order-no.	RRP €
Ø 310	LED 3000K 13W	1060	Opal	I	WALL & CEILING	DALI	82	5743141014	519
Ø 310	LED 3000K 13W	1060	Opal	I	WALL & CEILING	MOTION SENSOR	82	5743147050	899
Ø 310	LED 3000K/4000K 13W **		Opal	I	WALL & CEILING	WIRELESS BLUETOOTH **		-	Contact LP
Ø 310	LED 4000K 13W **		Opal	I	WALL & CEILING	DALI		-	Contact LP
Ø 310	LED 4000K 13W **		Opal	I	WALL & CEILING	MOTION SENSOR		-	Contact LP
Ø 310	LED KELVK 13W **		Opal	I	WALL & CEILING	-**		-	Contact LP
Ø 500	LED 3000K 25W	2322	Opal	I	WALL & CEILING	DALI	93	5743141030	761
Ø 500	LED 3000K 25W	2322	Opal	I	WALL & CEILING	MOTION SENSOR	93	5743147063	1,141
Ø 500	LED 3000K/4000K 25W **		Opal	I	WALL & CEILING	WIRELESS BLUETOOTH **		-	Contact LP
Ø 500	LED 4000K 25W **		Opal	I	WALL & CEILING	DALI		-	Contact LP
Ø 500	LED 4000K 25W **		Opal	I	WALL & CEILING	MOTION SENSOR		-	Contact LP
Ø 500	LED KELVK 25W **		Opal	I	WALL & CEILING	-**		-	Contact LP
<b>Sparepart</b>									
Ripls Ø310 shade replacement								5743143326	136
Ripls Ø500 shade replacement								5743143339	256
<b>Accessories</b>									
RIPLS REMOTE CONTROL FOR SENSOR								5743143478	288

\*\*Please specify upon ordering.

# Silverback Ceiling/Wall

## Mounted

Design: KiBiSi

**Concept:** The fixture emits diffused light. The opal curved diffuser provides a soft and comfortable spatial lighting, and the metallised rear half of the product produces a decorative halo-like illumination on the ceiling or wall surface. The metallised surface also creates a mirror effect, reflecting the texture, colour or material of the installation surface.

**Finish:** White opal and alu-metallised.

**Material:** Ø295: Rear housing: Die cast aluminium powder coated white. Shade: Opalescent PMMA and semi-metallised PC. Ø440: Rear housing: Die-stamped steel sheet, powder coated, white. Diffuser: Opalescent PMMA and semi-metallised PC.

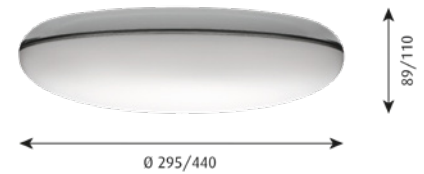
**Mounting:** Terminal strip: 1x5x2.5mm<sup>2</sup>. Cable access: 2 rear, Ø19mm. Looping: Approved, max. 5x1.5mm<sup>2</sup>.

**Weight:** Max. 3kg.

**Class:** Protection class IP20, Insulation class I.

**Info notes:** For Switch-Dim or LED replacement kit please contact Louis Poulsen.

**Motion Sensor:** If required the sensor settings can simply be altered using the dip-switches in the luminaire. If the luminaire is run continuously at 100% output, the life expectancy on the driver/sensor is reduced.



Dimensions	Light source	Lumen	Finish	Class	Mounting	Lighting control	Efficacy	Order-no.	RRP €
Ø 295	LED 3000K 9.8W	818	Opal	I	WALL & CEILING	DALI	84	5743157053	572
Ø 440	LED 3000K 32W		Opal	I	WALL & CEILING	MOTION SENSOR **		-	Contact LP
Ø 440	LED 3000K 32W	2306	Opal	I	WALL & CEILING	DALI	72	5743168864	837
<b>Sparepart</b>									
Silverback Ø295 replacement kit LED 3K90								5741087866	137
Silverback Ø295 replacement kit LED 4K90								5741087879	137
Silverback Ø295 shade pmma								5743157040	197
Silverback Ø440 shade pmma								5743168712	295

**\*\*Please specify upon ordering.**

# AH Mini

Recessed

Design: Alfred Homann

**Concept:** The light distribution is symmetric and directed downwards. The opal glass cylinder provides soft light for both the ceiling and space. It also significantly reduces the angle of glare, so that passers-by are exposed to minimal glare. Two lengths of the glass create different lighting effects.

**Finish:** White, wet painted

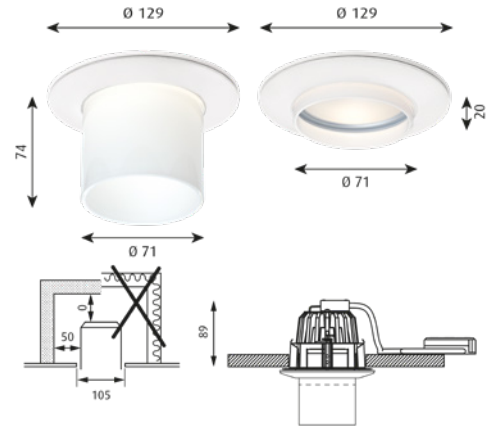
**Material:** Ring: Die cast aluminum. Glass: White opal glass.

**Mounting:** Ceiling thickness: 5-32mm. Ceiling Cut-Out: Ø 105mm. Looping: Not approved. For more information please look at [www.louispoulsen.com](http://www.louispoulsen.com).

**Weight:** Max. 0.5kg.

**Class:** Ingress protection IP20. Electric shock protection II.

**Info notes:** Supplied with light source. For LED replacement kits please do contact Louis Poulsen. The innovation of the LED technology is constant. The specifications mentioned are based on present technology.



Dimensions	Light source	Lumen	Finish	Class	Lighting control	Efficacy	Order-no.	RRP €
LONG	LED 3000K 12W	594	White	II	DALI	49	5742561310	477
SHORT	LED 3000K 12W	714	White	II	DALI	59	5742561323	477

## Sparepart

AH MINI trim short white							5742566683	184
AH MINI trim tall white							5742566696	184
Mini Downlight replacement kit LED 3K V2							5742560900	235
Mini Downlight LED-DA 3K V2							5742560890	294



# Ballerup

Recessed

Design: C. J. Nørgaard Pedersen & P. Hougaard Nielsen

**Concept:** The light distribution is symmetric and directed downwards. The vertical three-layer mouth-blown glass cylinder provides a soft and comfortable light on the ceiling around the fixture, as well as reducing glare for passers-by.

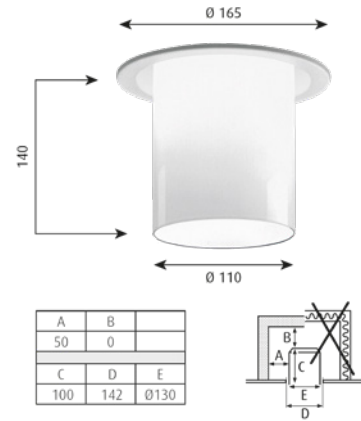
**Finish:** White, powder coated. White opal glass.

**Material:** Diffuser: Mouth-blown white opal glass. Housing: Spun steel.

**Mounting:** Termination: Plug 5x2.5mm<sup>2</sup>. Ceiling thickness: 1-45mm. Ceiling Cut-Out: Ø 142mm. Looping: Not approved. For more information please look at [www.louispoulsen.com](http://www.louispoulsen.com).

**Weight:** Max. 3.6kg.

**Class:** Ingress protection IP20. Electric shock protection I w. ground.



Light source	Lumen	Finish	Class	Mounting	Lighting control	Efficacy	Order-no.	RRP €
LED 3000K 13W	1076	White	I	CEILING	DALI	83	5742560913	769
<b>Sparepart</b>								
Ballerup glass							5742560023	254
Ballerup replacement kit LED 3K V2							5742560926	96

# Ballerup Mini

Recessed

Design: C. J. Nørgaard Pedersen & P. Hougaard Nielsen

**Concept:** The light distribution is symmetric and directed downwards. The vertical three-layer mouth-blown glass cylinder provides a soft and comfortable light on the ceiling around the fixture, as well as reducing glare for passers-by.

**Finish:** White, powder coated. White opal glass.

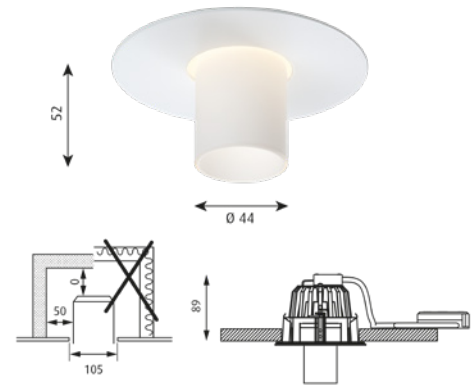
**Material:** Diffuser: Mouth-blown white opal glass. Ring: Punched steel.

**Mounting:** Ceiling thickness: 5-32mm. Ceiling Cut-Out: Ø 105mm. Looping: Not approved. Driver hardwired to housing. For more information please look at [www.louispoulsen.com](http://www.louispoulsen.com).

**Weight:** Max. 0.5kg.

**Class:** Ingress protection IP20. Electric shock protection II.

**Info notes:** Supplied with light source. For LED replacement kits please do contact Louis Poulsen. The innovation of the LED technology is constant. The specifications mentioned are based on present technology.



Light source	Lumen	Finish	Class	Lighting control	Efficacy	Order-no.	RRP €
LED 3000K 12W	792	White	II	DALI	66	5742561349	477

## Sparepart

Ballerup Mini/Micro glass						5742560719	121
Ballerup mini trim						5742566751	184
Mini Downlight replacement kit LED 3K V2						5742560900	235
Mini Downlight LED-DA 3K V2						5742560890	294

# Basic Mini

Recessed

Design: Louis Poulsen A/S

**Concept:** The mini downlight has a 100% downward directed light distribution. With its matt reflector it diffuses the light softly creating a comfortable vertical illumination. The white ring gives a subtler transition to the ceiling surface.

**Finish:** White, powder coated.

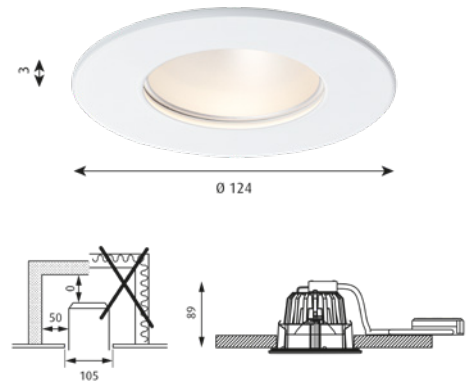
**Material:** Rings: Punched steel.

**Mounting:** Ceiling thickness: 5-32mm. Ceiling cut-out: Ø 105mm. Looping: Not approved. Driver hardwired to housing. For more information please look at [www.louispoulsen.com](http://www.louispoulsen.com).

**Weight:** Max. 0.5kg.

**Class:** Ingress protection IP20. Electric shock protection II.

**Info notes:** Supplied with light source. For LED replacement kits please do contact Louis Poulsen. The innovation of the LED technology is constant. The specifications mentioned are based on present technology.



Light source	Lumen	Finish	Class	Lighting control	Efficacy	Order-no.	RRP €	
LED 4000K 12W	792	White	II	DALI	66	5742561365	422	
<b>Sparepart</b>								
Basic mini trim						5742586777	129	
Mini Downlight replacement kit LED 3K V2						5742560900	235	
Mini Downlight LED-DA 3K V2						5742560890	294	

# LP Circle Recessed

## Recessed

Design: Mikkel Beedholm/KHR Architecture

**Concept:** The fixture emits diffused light via a high-efficiency acrylic diffuser. The diffuser, which is encircled by a voluminous coloured or white ring, is hidden when viewed from low angles. Angling the inner side of the ring 5° creates a comfortable and decorative graduation of the light from the diffuser. With two diameters and four different installation options, the lights series can be used for a wide range of applications.

**Finish:** White, Black, Pale Petroleum or Yellow. Powder coated.

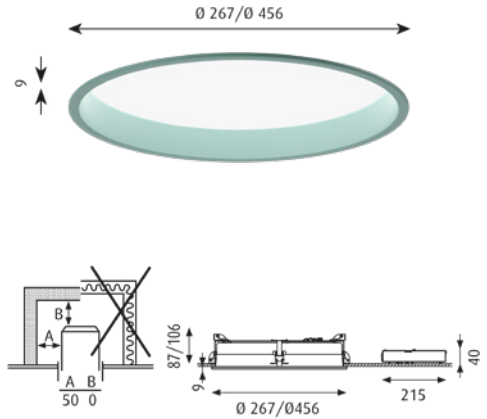
**Material:** Reflector: Deep drawn aluminium. Diffuser: Acrylic, frosted or micro prismatic. Installation lock: Polyamide.

**Mounting:** Ceiling thickness: 1–40 mm. Driver is a separate unit (supplied with luminaire). Cut-out dimensions: Ø 260: Ø 248mm, Ø 450: Ø 438mm. Looping: Approved, max 5x1.5mm<sup>2</sup>.

**Weight:** Max 3kg. (Ø 260). Max 5kg. (Ø 450).

**Class:** Ingress protection IP20. Electric shock protection I.

**Info notes:** LED technology is constantly developing. The specifications given are based on existing technology. For LED replacement kit please do contact Louis Poulsen. Please contact Louis Poulsen for the following versions: LP Circle Ø 450 HO: High output for projects with high ceilings or where high illumination is required. LP Circle Ø 450 with microprismatic diffuser for UGR <19 (CIE 117). If you have special requirements concerning colour temperature, IP class or other modifications to the LP Circle model, please contact Louis Poulsen.



Dimensions	Light source	Lumen	Finish	Class	Shield/Diffuser	Mounting	Lighting control	Efficacy	Order-no.	RRP €
Ø 260	LED 3000K 13W	1065	Black	I	OPAL	RECESSED	DALI/SWITCH-DIM	82	5742580744	829
Ø 260	LED 3000K 13W	1126	Pale Petroleum	I	OPAL	RECESSED	DALI/SWITCH-DIM	87	5742582056	829
Ø 260	LED 3000K 13W	1334	White	I	OPAL	RECESSED	DALI/SWITCH-DIM	103	5742583550	829
Ø 260	LED 3000K 13W	1233	Yellow	I	OPAL	RECESSED	DALI/SWITCH-DIM	95	5742582043	829
Ø 260	LED 4000K 13W	1377	White	I	OPAL	RECESSED	DALI/SWITCH-DIM	106	5742587815	829
Ø 260	LED KELVIN ADJUSTABLE	1325	White	I	OPAL	RECESSED	DALI KELVIN ADJUSTABLE	88	5742587543	936
Ø 450	LED 3000K 25W	2341	Black	I	OPAL	RECESSED	DALI/SWITCH-DIM	94	5742580760	1,182
Ø 450	LED 3000K 25W	2432	Pale Petroleum	I	OPAL	RECESSED	DALI/SWITCH-DIM	97	5742582137	1,182
Ø 450	LED 3000K 25W	2706	White	I	OPAL	RECESSED	DALI/SWITCH-DIM	108	5742583576	1,182
Ø 450	LED 3000K 25W	2577	Yellow	I	OPAL	RECESSED	DALI/SWITCH-DIM	103	5742582124	1,182
Ø 450	LED 4000K 25W	2793	White	I	OPAL	RECESSED	DALI/SWITCH-DIM	112	5742587831	1,182
Ø 450	LED KELVIN ADJUSTABLE	2759	White	I	OPAL	RECESSED	DALI KELVIN ADJUSTABLE	106	5742587569	1,289

### Sparepart

Circle Ø260 diffuser opal	5742583657	135
Circle Ø450 diffuser opal	5742583660	172
Circle Ø260 replacement kit LED 3K90	5741087824	270
Circle Ø260 replacement kit LED 4K90	5741087837	270
Circle Ø450 replacement kit LED 3K90	5741087840	277
Circle Ø450 replacement kit LED 4K90	5741087853	277

### Accessories

Circle Ø450 prismatic diffuser	5742583644	197
--------------------------------	------------	-----

Please contact Louis Poulsen for 4000K or Kelvin Adjustable in additional finishes.

# LP Circle Semi Recessed

## Recessed

Design: Mikkel Beedholm/KHR Architecture

**Concept:** The fixture emits diffused light via a high-efficiency acrylic diffuser. The diffuser, which is encircled by a voluminous coloured or white ring, is hidden when viewed from low angles. Angling the inner side of the ring 5° creates a comfortable and decorative graduation of the light from the diffuser. With two diameters and four different installation options, the lights series can be used for a wide range of applications.

**Finish:** White, Black, Pale Petroleum or Yellow. Powder coated.

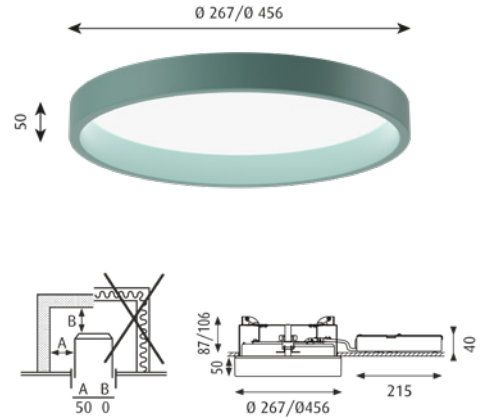
**Material:** Reflector: Deep drawn aluminium. Diffuser: Acrylic, frosted or micro prismatic. Installation lock: Polyamide.

**Mounting:** Ceiling thickness: 1–40 mm. Driver is a separate unit (supplied with fixture). Cut-out dimensions: Ø 260: Ø 248mm, Ø 450: Ø 438mm. Looping: Approved, max 5x1.5mm<sup>2</sup>.

**Weight:** Max 3kg. (Ø 260). Max5 kg. (Ø 450).

**Class:** Ingress protection IP20. Electric shock protection I.

**Info notes:** LED technology is constantly developing. The specifications given are based on existing technology. For LED replacement kit please do contact Louis Poulsen. Please contact Louis Poulsen for the following versions: LP Circle Ø 450 HO: High output for projects with high ceilings or where high illumination is required. LP Circle Ø 450 with microprismatic diffuser for UGR <19 (CIE 117). If you have special requirements concerning colour temperature, IP class or other modifications to the LP Circle model, please contact Louis Poulsen.



Dimensions	Light source	Lumen	Finish	Class	Shield/Diffuser	Mounting	Lighting control	Efficacy	Order-no.	RRP €
Ø 260	LED 3000K 13W	1065	Black	I	OPAL	SEMI-RECESSED	DALI/SWITCH-DIM	82	5742580757	829
Ø 260	LED 3000K 13W	1126	Pale Petroleum	I	OPAL	SEMI-RECESSED	DALI/SWITCH-DIM	87	5742582098	829
Ø 260	LED 3000K 13W	1334	White	I	OPAL	SEMI-RECESSED	DALI/SWITCH-DIM	103	5742583563	829
Ø 260	LED 3000K 13W	1233	Yellow	I	OPAL	SEMI-RECESSED	DALI/SWITCH-DIM	95	5742582085	829
Ø 260	LED 4000K 13W	1377	White	I	OPAL	SEMI-RECESSED	DALI/SWITCH-DIM	106	5742587828	829
Ø 260	LED KELVIN ADJUSTABLE	1325	White	I	OPAL	SEMI-RECESSED	DALI KELVIN ADJUSTABLE	88	5742587556	936
Ø 450	LED 3000K 25W	2341	Black	I	OPAL	SEMI-RECESSED	DALI/SWITCH-DIM	94	5742580773	1,182
Ø 450	LED 3000K 25W	2432	Pale Petroleum	I	OPAL	SEMI-RECESSED	DALI/SWITCH-DIM	97	5742582179	1,182
Ø 450	LED 3000K 25W	2706	White	I	OPAL	SEMI-RECESSED	DALI/SWITCH-DIM	108	5742583589	1,182
Ø 450	LED 3000K 25W	2577	Yellow	I	OPAL	SEMI-RECESSED	DALI/SWITCH-DIM	103	5742582166	1,182
Ø 450	LED 4000K 25W	2793	White	I	OPAL	SEMI-RECESSED	DALI/SWITCH-DIM	112	5742587844	1,182
Ø 450	LED KELVIN ADJUSTABLE	2759	White	I	OPAL	SEMI-RECESSED	DALI KELVIN ADJUSTABLE	106	5742587572	1,289

### Sparepart

Circle Ø260 diffuser opal	5742583657	135
Circle Ø450 diffuser opal	5742583660	172
Circle Ø260 replacement kit LED 3K90	5741087824	270
Circle Ø260 replacement kit LED 4K90	5741087837	270
Circle Ø450 replacement kit LED 3K90	5741087840	277
Circle Ø450 replacement kit LED 4K90	5741087853	277

### Accessories

Circle Ø450 prismatic diffuser	5742583644	197
--------------------------------	------------	-----

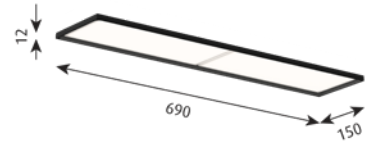
Please contact Louis Poulsen for 4000K or Kelvin Adjustable in additional finishes.

# LP Slim Box Recessed

## Recessed

Design: Louis Poulsen A/S

**Concept:** The product family shares a high-efficiency light unit framed in a rectangular housing. The recessed variants emit downwardly directed light, while the suspended and surface-mounted variants provide a combination of primarily downwardly directed and indirect light. Choosing between opal diffusers or micro-prismatic solutions, the glare and visual expression can be balanced as desired. The light egress emphasizes the design detail in the housing, ensuring a comfortable and subtle yet distinct design.



**Finish:** White or black, powder coated or clear lacquered, pickled aluminium.

**Material:** Frame/Housing: Die cast Aluminium, Light Engine bottom: Acrylic (Opal or clear). Light Engine top: Acrylic opal.

**Mounting:** Ceiling thickness: 1–40 mm. Cutout dimensions: 678 x 138 mm. Maximum cutout dimension: 683 x 143 mm. Built-in height: minimum 80 mm. Mounting bracket included. Optional wire for alternative installation. Looping: Approved, max. 5 x 1.5 mm<sup>2</sup>. Integrated driver.

**Weight:** Max. 3,5 kg.

**Class:** Ingress protection IP20. Electric shock protection I.

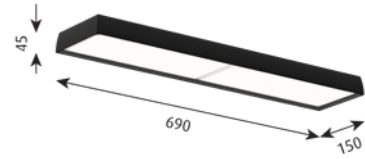
Light source	Lumen	Finish	Class	Shield/Diffuser	Mounting	Lighting control	Efficacy	Order-no.	RRP €
LED 3000K 25W	2288	Black	I	MICRO PRISMATIC	RECESSED	DALI	92	5742588005	1,150
LED 3000K 25W	2288	Black	I	MICRO PRISMATIC	RECESSED	WIRELESS BLUETOOTH	92	5742588102	1,346
LED 3000K 25W	2290	Black	I	OPAL	RECESSED	DALI	92	5742587954	1,106
LED 3000K 25W	2290	Black	I	OPAL	RECESSED	WIRELESS BLUETOOTH	92	5742588050	1,301
LED 3000K 25W	2299	Dark Aluminium Raw	I	MICRO PRISMATIC	RECESSED	DALI	92	5742588018	1,150
LED 3000K 25W	2299	Dark Aluminium Raw	I	MICRO PRISMATIC	RECESSED	WIRELESS BLUETOOTH	92	5742588115	1,346
LED 3000K 25W	2326	Dark Aluminium Raw	I	OPAL	RECESSED	DALI	93	5742587967	1,106
LED 3000K 25W	2326	Dark Aluminium Raw	I	OPAL	RECESSED	WIRELESS BLUETOOTH	93	5742588063	1,301
LED 3000K 25W	2396	White	I	MICRO PRISMATIC	RECESSED	DALI	96	5742587996	1,150
LED 3000K 25W	2396	White	I	MICRO PRISMATIC	RECESSED	WIRELESS BLUETOOTH	96	5742588092	1,346
LED 3000K 25W	2546	White	I	OPAL	RECESSED	DALI	102	5742587941	1,106
LED 3000K 25W	2546	White	I	OPAL	RECESSED	WIRELESS BLUETOOTH	102	5742588047	1,301
LED 3000K 35W	3245	White	I	MICRO PRISMATIC	RECESSED	DALI HIGH OUTPUT	93	5742588173	1,248
LED 3000K 35W	3245	White	I	MICRO PRISMATIC	RECESSED	WIRELESS BLUETOOTH HO	93	5742588238	1,443
LED 3000K 35W	3471	White	I	OPAL	RECESSED	DALI HIGH OUTPUT	99	5742588144	1,203
LED 3000K 35W	3471	White	I	OPAL	RECESSED	WIRELESS BLUETOOTH HO	99	5742588209	1,399
LED 4000K 25W	2457	White	I	MICRO PRISMATIC	RECESSED	DALI	98	5742588021	1,150
LED 4000K 25W	2457	White	I	MICRO PRISMATIC	RECESSED	WIRELESS BLUETOOTH	98	5742588128	1,346
LED 4000K 25W	2611	White	I	OPAL	RECESSED	DALI	104	5742587970	1,106
LED 4000K 25W	2611	White	I	OPAL	RECESSED	WIRELESS BLUETOOTH	104	5742588076	1,301
LED 4000K 35W	3328	White	I	MICRO PRISMATIC	RECESSED	DALI HIGH OUTPUT	95	5742588186	1,248
LED 4000K 35W	3328	White	I	MICRO PRISMATIC	RECESSED	WIRELESS BLUETOOTH HO	95	5742588241	1,443
LED 4000K 35W	3560	White	I	OPAL	RECESSED	DALI HIGH OUTPUT	102	5742588157	1,203
LED 4000K 35W		White	I	OPAL	RECESSED	WIRELESS BLUETOOTH HO	102	5742588212	1,399
LED KELVIN ADJUSTABLE	3024	White	I	MICRO PRISMATIC	RECESSED	DALI HIGH OUTPUT	86	5742588199	1,507
LED KELVIN ADJUSTABLE	3024	White	I	MICRO PRISMATIC	RECESSED	WIRELESS BLUETOOTH HO	86	5742588254	1,670
LED KELVIN ADJUSTABLE	2233	White	I	MICRO PRISMATIC	RECESSED	DALI	89	5742588034	1,410
LED KELVIN ADJUSTABLE	2233	White	I	MICRO PRISMATIC	RECESSED	WIRELESS BLUETOOTH	89	5742588131	1,573
LED KELVIN ADJUSTABLE	3235	White	I	OPAL	RECESSED	DALI HIGH OUTPUT	92	5742588160	1,463
LED KELVIN ADJUSTABLE	3235	White	I	OPAL	RECESSED	WIRELESS BLUETOOTH HO	92	5742588225	1,625
LED KELVIN ADJUSTABLE	2373	White	I	OPAL	RECESSED	DALI	95	5742587983	1,365
LED KELVIN ADJUSTABLE	2373	White	I	OPAL	RECESSED	WIRELESS BLUETOOTH	95	5742588089	1,528

# LP Slim Box Semi-Recessed

## Recessed

Design: Louis Poulsen A/S

**Concept:** The product family shares a high-efficiency light unit framed in a rectangular housing. The recessed variants emit downwardly directed light, while the suspended and surface-mounted variants provide a combination of primarily downwardly directed and indirect light. Choosing between opal diffusers or micro-prismatic solutions, the glare and visual expression can be balanced as desired. The light egress emphasizes the design detail in the housing, ensuring a comfortable and subtle yet distinct design.



**Finish:** White or black, powder coated or clear lacquered, pickled aluminium.

**Material:** Frame/Housing: Die cast Aluminium, Light Engine bottom: Acrylic (Opal or clear). Light Engine top: Acrylic opal.

**Mounting:** Ceiling thickness: 1–40 mm. Cutout dimensions: 522 x 101 mm. Maximum cutout dimension: 630 x 110 mm. Built-in height: minimum 80 mm. Optional mounting bracket or wire for alternative installation. Looping: Approved, max. 5 x 1.5 mm<sup>2</sup>. Integrated driver.

**Weight:** Max. 4 kg.

**Class:** Ingress protection IP20. Electric shock protection I.

Light source	Lumen	Finish	Shield/Diffuser	Mounting	Lighting control	Efficacy	Order-no.	RRP €
LED 3000K 25W	2288	Black	MICRO PRISMATIC	SEMI-RECESSED	DALI	92	5742589088	1,150
LED 3000K 25W	2288	Black	MICRO PRISMATIC	SEMI-RECESSED	WIRELESS BLUETOOTH	92	5742589185	1,346
LED 3000K 25W	2290	Black	OPAL	SEMI-RECESSED	WIRELESS BLUETOOTH	92	5742589130	1,301
LED 3000K 25W	2290	Black	OPAL	SEMI-RECESSED	DALI	92	5742589033	1,106
LED 3000K 25W	2299	Dark Aluminium Raw	MICRO PRISMATIC	SEMI-RECESSED	DALI	92	5742589091	1,150
LED 3000K 25W	2299	Dark Aluminium Raw	MICRO PRISMATIC	SEMI-RECESSED	WIRELESS BLUETOOTH	92	5742589198	1,346
LED 3000K 25W	2326	Dark Aluminium Raw	OPAL	SEMI-RECESSED	DALI	93	5742589046	1,106
LED 3000K 25W	2326	Dark Aluminium Raw	OPAL	SEMI-RECESSED	WIRELESS BLUETOOTH	93	5742589143	1,301
LED 3000K 25W	2396	White	MICRO PRISMATIC	SEMI-RECESSED	DALI	96	5742589075	1,150
LED 3000K 25W	2396	White	MICRO PRISMATIC	SEMI-RECESSED	WIRELESS BLUETOOTH	96	5742589172	1,346
LED 3000K 25W	2546	White	OPAL	SEMI-RECESSED	DALI	102	5742589020	1,106
LED 3000K 25W	2546	White	OPAL	SEMI-RECESSED	WIRELESS BLUETOOTH	102	5742589127	1,301
LED 3000K 35W	3245	White	MICRO PRISMATIC	SEMI-RECESSED	DALI HIGH OUTPUT	93	5742589253	1,248
LED 3000K 35W	3245	White	MICRO PRISMATIC	SEMI-RECESSED	WIRELESS BLUETOOTH HO	93	5742589318	1,443
LED 3000K 35W	3471	White	OPAL	SEMI-RECESSED	DALI HIGH OUTPUT	99	5742589224	1,203
LED 3000K 35W	3471	White	OPAL	SEMI-RECESSED	WIRELESS BLUETOOTH HO	99	5742589282	1,399
LED 4000K 25W	2457	White	MICRO PRISMATIC	SEMI-RECESSED	DALI	98	5742589101	1,150
LED 4000K 25W	2457	White	MICRO PRISMATIC	SEMI-RECESSED	WIRELESS BLUETOOTH	98	5742589208	1,346
LED 4000K 25W	2611	White	OPAL	SEMI-RECESSED	DALI	104	5742589059	1,106
LED 4000K 25W	2611	White	OPAL	SEMI-RECESSED	WIRELESS BLUETOOTH	104	5742589156	1,301
LED 4000K 35W	3328	White	MICRO PRISMATIC	SEMI-RECESSED	DALI HIGH OUTPUT	95	5742589266	1,248
LED 4000K 35W	3328	White	MICRO PRISMATIC	SEMI-RECESSED	WIRELESS BLUETOOTH HO	95	5742589321	1,443
LED 4000K 35W	3560	White	OPAL	SEMI-RECESSED	DALI HIGH OUTPUT	102	5742589237	1,203
LED 4000K 35W	3560	White	OPAL	SEMI-RECESSED	WIRELESS BLUETOOTH HO	102	5742589295	1,399
LED KELVIN ADJUSTABLE	3024	White	MICRO PRISMATIC	SEMI-RECESSED	DALI HIGH OUTPUT	86	5742589279	1,507
LED KELVIN ADJUSTABLE	3024	White	MICRO PRISMATIC	SEMI-RECESSED	WIRELESS BLUETOOTH HO	86	5742589334	1,670
LED KELVIN ADJUSTABLE	2233	White	MICRO PRISMATIC	SEMI-RECESSED	DALI	89	5742589114	1,410
LED KELVIN ADJUSTABLE	2233	White	MICRO PRISMATIC	SEMI-RECESSED	WIRELESS BLUETOOTH	89	5742589211	1,573
LED KELVIN ADJUSTABLE	3235	White	OPAL	SEMI-RECESSED	DALI HIGH OUTPUT	92	5742589240	1,463
LED KELVIN ADJUSTABLE	3235	White	OPAL	SEMI-RECESSED	WIRELESS BLUETOOTH HO	92	5742589305	1,625
LED KELVIN ADJUSTABLE	2373	White	OPAL	SEMI-RECESSED	DALI	95	5742589062	1,365
LED KELVIN ADJUSTABLE	2373	White	OPAL	SEMI-RECESSED	WIRELESS BLUETOOTH	95	5742589169	1,528

# LP Slim Round Recessed

## Recessed

Design: Louis Poulsen A/S

**Concept:** The slim housing encircles a high-efficient acrylic diffuser emitting diffused primarily downward directed light. The slim body has a slight curvature and an inner curve which reduces contrast. The product family comes in a range of sizes and mounting options for a wide range of applications. Surface mounted and suspended versions have an indirect light component.

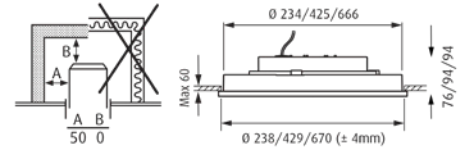
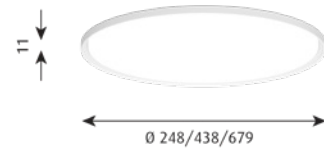
**Finish:** White or black, powder coated or clear lacquered, pickled aluminium.

**Material:** Reflector: Die cast aluminium. Diffuser: Acrylic, opal or micro prismatic. Installation lock: Aluminium.

**Mounting:** Ceiling thickness: 1–60 mm.  
Cut-out dimensions Ø 250: Ø234mm Ø 440: Ø425mm Ø 680: Ø 666mm.  
Optional wire for alternative installation.  
Looping: Approved, max 5 x 2.5 mm<sup>2</sup>.  
Driver integrated.

**Weight:** Max 8kg.

**Class:** Ingress protection IP20. Electric shock protection I.



Dimensions	Light source	Lumen	Finish	Class	Shield/Diffuser	Mounting	Lighting control	Efficacy	Order-no.	RRP €
Ø 250	LED 3000K 13W	1089	Black	I	OPAL	RECESSED	DALI	84	5742584481	836
Ø 250	LED 3000K 13W	1089	Dark Aluminium Raw	I	OPAL	RECESSED	DALI	84	5742584753	836
Ø 250	LED 3000K 13W	1248	White	I	OPAL	RECESSED	DALI	96	5742584452	836
Ø 250	LED 4000K 13W	1274	White	I	OPAL	RECESSED	DALI	98	5742584465	836
Ø 250	LED 4000K 13W	1155	White	I	PRISMATIC	RECESSED	DALI	89	5742584850	983
Ø 250	LED KELVIN ADJUSTABLE		White	I	PRISMATIC	RECESSED	DALI KELVIN ADJUSTABLE		5742584863	1,090
Ø 250	LED KELVIN ADJUSTABLE **	1232	White	I	OPAL	RECESSED	DALI KELVIN ADJUSTABLE	77	5742584478	943
Ø 440	LED 3000K 25W	2373	Black	I	OPAL	RECESSED	DALI	95	5742584546	1,296
Ø 440	LED 3000K 25W	2373	Dark Aluminium Raw	I	OPAL	RECESSED	DALI	95	5742584782	1,296
Ø 440	LED 3000K 25W	2677	White	I	OPAL	RECESSED	DALI	107	5742584517	1,296
Ø 440	LED 3000K 25W	2357	White	I	PRISMATIC	RECESSED	DALI	94	5742584931	1,443
Ø 440	LED 3000K 35W	3912	White	I	OPAL	RECESSED	DALI HIGH OUTPUT	112	5742584928	1,419
Ø 440	LED 3000K 35W	3611	White	I	PRISMATIC	RECESSED	DALI HIGH OUTPUT	103	5742584957	1,565
Ø 440	LED 4000K 25W	2731	White	I	OPAL	RECESSED	DALI	109	5742584520	1,296
Ø 440	LED 4000K 25W	2405	White	I	PRISMATIC	RECESSED	DALI	96	5742584986	1,443
Ø 440	LED 4000K 35W	3991	White	I	OPAL	RECESSED	DALI HIGH OUTPUT	114	5742584973	1,419
Ø 440	LED 4000K 35W	3690	White	I	PRISMATIC	RECESSED	DALI HIGH OUTPUT	105	5742585008	1,565
Ø 440	LED KELVIN ADJUSTABLE	2499	White	I	OPAL	RECESSED	DALI KELVIN ADJUSTABLE	93	5742584533	1,402
Ø 440	LED KELVIN ADJUSTABLE		White	I	PRISMATIC	RECESSED	DALI KELVIN ADJUSTABLE		5742585011	1,549
Ø 680	LED 3000K 46W	4721	White	I	PRISMATIC	RECESSED	DALI	103	5742585312	2,634
Ø 680	LED 3000K 53W	5814	Black	I	OPAL	RECESSED	DALI	110	5742584601	2,487
Ø 680	LED 3000K 53W	5814	Dark Aluminium Raw	I	OPAL	RECESSED	DALI	110	5742584818	2,487
Ø 680	LED 3000K 53W	6266	White	I	OPAL	RECESSED	DALI	118	5742584575	2,487
Ø 680	LED 4000K 46W	4817	White	I	PRISMATIC	RECESSED	DALI	105	5742585325	2,634
Ø 680	LED 4000K 53W **	6393	White	I	OPAL	RECESSED	DALI	121	5742584588	2,487
Ø 680	LED KELVIN ADJUSTABLE	6383	White	I	OPAL	RECESSED	DALI KELVIN ADJUSTABLE	105	5742584591	2,630
Ø 680	LED KELVIN ADJUSTABLE	4809	White	I	PRISMATIC	RECESSED	DALI KELVIN ADJUSTABLE	94	5742585338	2,777

### Sparepart

Slim Round Ø250 diffuser opal	5742584737	134
Slim Round Ø250 replacement kit LED 3K90	5741087963	147
Slim Round Ø250 replacement kit LED 4K90	5741087976	147
Slim Round Ø250 replacement kit LED KA90	5741088344	172
Slim Round Ø440 diffuser opal	5742584740	172
Slim Round Ø680 diffuser opal	5742584627	186
Slim Round Ø440 replacement kit LED 3K90	5741087989	310
Slim Round Ø440 replacement kit LED 4K90	5741087992	310
Slim Round Ø440 replacement kit LED KA90	5741088357	344



**Sparepart**

Slim Round Ø680 R/SR/S replacement kit LED 3K90	5741087947	966
Slim Round Ø680 R/SR/P replacement kit LED 4K90	5741087950	966
Slim Round Ø680 replacement kit LED KA90	5741088360	966

**Accessories**

Slim Round semi-rec Ø250/440 mount device	5742584423	149
SLIM ROUND SEMI-REC 250/440 WIRE SET	5742584407	173
SLIM ROUND SEMI-REC 680 MOUNT DEVICE	5742584436	194
SLIM ROUND SEMI-REC 680 WIRE SET	5742584410	229

Please contact Louis Poulsen for 4000K or Kelvin Adjustable in additional finishes.

# LP Slim Round Semi Recessed

## Recessed

Design: Louis Poulsen A/S

**Concept:** The slim housing encircles a high-efficient acrylic diffuser emitting diffused primarily downward directed light. The slim body has a slight curvature and an inner curve which reduces contrast. The product family comes in a range of sizes and mounting options for a wide range of applications. Surface mounted and suspended versions have an indirect light component.

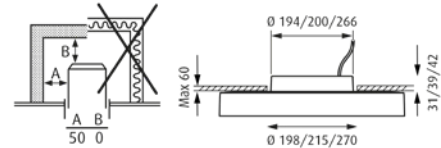
**Finish:** White or black, powder coated or clear lacquered, pickled aluminium.

**Material:** Reflector: Die cast aluminium. Diffuser: Acrylic, opal or micro prismatic. Installation lock: Aluminium.

**Mounting:** Ceiling thickness: 1–60 mm.  
Cut-out dimensions: Ø 250: Ø198mm, Ø 440: Ø215mm, Ø 680: Ø 270mm.  
Optional mounting bracket or wire for alternative installation.  
Looping: Approved, max 5 x 2.5 mm<sup>2</sup>.  
Driver integrated.

**Weight:** Max: 8kg

**Class:** Ingress protection IP20. Electric shock protection I.



Dimensions	Light source	Lumen	Finish	Class	Shield/Diffuser	Mounting	Lighting control	Efficacy	Order-no.	RRP €
Ø 250	LED 3000K 13W	1089	Black	I	OPAL	SEMI-RECESSED	DALI	84	5742584261	836
Ø 250	LED 3000K 13W	1089	Dark Aluminium Raw	I	OPAL	SEMI-RECESSED	DALI	84	5742584766	836
Ø 250	LED 3000K 13W	1248	White	I	OPAL	SEMI-RECESSED	DALI	96	5742584232	836
Ø 250	LED 3000K 13W	1132	White	I	PRISMATIC	SEMI-RECESSED	DALI	87	5742585037	983
Ø 250	LED 4000K 13W	1274	White	I	OPAL	SEMI-RECESSED	DALI	98	5742584245	836
Ø 250	LED 4000K 13W	1155	White	I	PRISMATIC	SEMI-RECESSED	DALI	89	5742585040	983
Ø 250	LED KELVIN ADJUSTABLE	1232	White	I	OPAL	SEMI-RECESSED	DALI KELVIN ADJUSTABLE	77	5742584258	943
Ø 250	LED KELVIN ADJUSTABLE		White	I	PRISMATIC	SEMI-RECESSED	DALI KELVIN ADJUSTABLE		5742585053	1,090
Ø 440	LED 3000K 25W	2373	Black	I	OPAL	SEMI-RECESSED	DALI	95	5742584326	1,296
Ø 440	LED 3000K 25W	2373	Dark Aluminium Raw	I	OPAL	SEMI-RECESSED	DALI	95	5742584795	1,296
Ø 440	LED 3000K 25W	2677	White	I	OPAL	SEMI-RECESSED	DALI	107	5742584290	1,296
Ø 440	LED 3000K 25W	2357	White	I	PRISMATIC	SEMI-RECESSED	DALI	94	5742585105	1,443
Ø 440	LED 3000K 35W	3611	White	I	PRISMATIC	SEMI-RECESSED	DALI HIGH OUTPUT	103	5742585150	1,565
Ø 440	LED 4000K 25W	2731	White	I	OPAL	SEMI-RECESSED	DALI	109	5742584300	1,296
Ø 440	LED 4000K 25W	2405	White	I	PRISMATIC	SEMI-RECESSED	DALI	96	5742585118	1,443
Ø 440	LED 4000K 35W	3684	White	I	PRISMATIC	SEMI-RECESSED	DALI HIGH OUTPUT	105	5742585163	1,565
Ø 440	LED KELVIN ADJUSTABLE	2532	White	I	OPAL	SEMI-RECESSED	DALI KELVIN ADJUSTABLE	105	5742584313	1,402
Ø 440	LED KELVIN ADJUSTABLE		White	I	PRISMATIC	SEMI-RECESSED	DALI KELVIN ADJUSTABLE		5742585121	1,549
Ø 680	LED 3000K 46W	4721	White	I	PRISMATIC	SEMI-RECESSED	DALI	103	5742585341	2,634
Ø 680	LED 3000K 53W	5814	Black	I	OPAL	SEMI-RECESSED	DALI	110	5742584384	2,487
Ø 680	LED 3000K 53W	5814	Dark Aluminium Raw	I	OPAL	SEMI-RECESSED	DALI	110	5742584821	2,487
Ø 680	LED 3000K 53W	6266	White	I	OPAL	SEMI-RECESSED	DALI	118	5742584355	2,487
Ø 680	LED 4000K 46W	4817	White	I	PRISMATIC	SEMI-RECESSED	DALI	105	5742585354	2,634
Ø 680	LED 4000K 53W	6393	White	I	OPAL	SEMI-RECESSED	DALI	121	5742584368	2,487
Ø 680	LED KELVIN ADJUSTABLE	6383	White	I	OPAL	SEMI-RECESSED	DALI KELVIN ADJUSTABLE	105	5742584371	2,630
Ø 680	LED KELVIN ADJUSTABLE	4809	White	I	PRISMATIC	SEMI-RECESSED	DALI KELVIN ADJUSTABLE	94	5742585367	2,777

### Sparepart

Slim Round Ø250 diffuser opal	5742584737	134
Slim Round Ø250 replacement kit LED 3K90	5741087963	147
Slim Round Ø250 replacement kit LED 4K90	5741087976	147
Slim Round Ø250 replacement kit LED KA90	5741088344	172
Slim Round Ø440 diffuser opal	5742584740	172
Slim Round Ø680 diffuser opal	5742584627	186
Slim Round Ø440 replacement kit LED 3K90	5741087989	310
Slim Round Ø440 replacement kit LED 4K90	5741087992	310
Slim Round Ø440 replacement kit LED KA90	5741088357	344
Slim Round Ø680 R/SR/S replacement kit LED 3K90	5741087947	966

**Sparepart**

Slim Round Ø680 R/SR/P replacement kit LED 4K90	5741087950	966
Slim Round Ø680 replacement kit LED KA90	5741088360	966

**Accessories**

Slim Round semi-rec Ø250/440 mount device	5742584423	149
SLIM ROUND SEMI-REC 250/440 WIRE SET	5742584407	173
SLIM ROUND SEMI-REC 680 MOUNT. DEVICE	5742584436	194
SLIM ROUND SEMI-REC 680 WIRE SET	5742584410	229

Please contact Louis Poulsen for 4000K or Kelvin Adjustable in additional finishes.

# Munkegaard

Recessed

Design: Arne Jacobsen

**Concept:** The fixture looks like a disc hovering just below the ceiling – an impression primarily created by the illuminated opening and the suspended placement of the fixture below the mounting surface. The 2-layer glass/acrylic shade ensures uniform, gently diffused lighting. This fixture gives the room the illusion of extra height.

**Finish:** High lustre chrome plated or satin chrome plated. Matt-white acrylic/toughened clear glass.

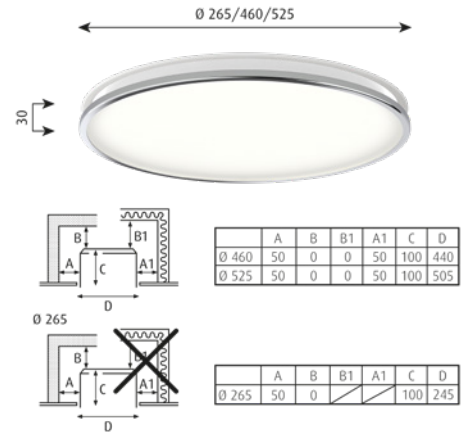
**Material:** Shade: 2-layer: matt-white acrylic and toughened glass. Edge ring: High lustre chrome plated or satin chrome plated, brass.

**Mounting:** Connection: Ø 265/Ø 460/Ø 525: Terminal strip 5x2.5mm<sup>2</sup>. Ceiling thickness: Ø 265/ Ø 460/Ø 525: 1–50mm. Cut-out dimensions: Ø 265: 245mm, Ø 460: 440mm, Ø 525: 505mm. Looping: Approved, max. 5x1.5mm<sup>2</sup>.

**Weight:** Max. 7kg.

**Class:** Ingress protection IP20. Electric shock protection I w. ground.

**Info notes:** For LED replacement kit please do contact Louis Poulsen. The innovation of the LED technology is constant. The specifications mentioned are based on present technology.



Dimensions	Light source	Lumen	Finish	Class	Shield/Diffuser	Lighting control	Efficacy	Order-no.	RRP €
Ø 265	LED 3000K 15W	974	Brass	I	LED OPAL	DALI/SWITCH-DIM	65	5742580841	1,074
Ø 265	LED 3000K 15W	974	High Lustre Chrome Plated	I	LED OPAL	DALI/SWITCH-DIM	65	5742580249	1,074
Ø 265	LED 3000K 15W	974	Satin Chrome Plated	I	LED OPAL	DALI/SWITCH-DIM	65	5742580207	1,074
Ø 460	LED 3000K 30W	2271	Brass	I	LED OPAL	DALI/SWITCH-DIM	76	5742580854	1,811
Ø 460	LED 3000K 30W	2271	High Lustre Chrome Plated	I	LED OPAL	DALI/SWITCH-DIM	76	5742580320	1,811
Ø 460	LED 3000K 30W	2271	Satin Chrome Plated	I	LED OPAL	DALI/SWITCH-DIM	76	5742580281	1,811
Ø 525	LED 3000K 42W	3312	Brass	I	LED OPAL	DALI	79	5742580867	1,962
Ø 525	LED 3000K 42W	3312	High Lustre Chrome Plated	I	LED OPAL	DALI	79	5742580799	1,962
Ø 525	LED 3000K 42W	3312	Satin Chrome Plated	I	LED OPAL	DALI	79	5742580786	1,962

## Sparepart

Munkegaard Ø460 LED opal Gls.W/Ring SAT CHR	5742580142	1,074
Munkegaard Ø460 LED opal Gls.W/Ring CHR	5742580155	1,074
MUNKEG. 460 LED OPAL GLASS W/RING BRASS	5742580825	1,074
Munkegaard Ø525 LED opal Gls.W/Ring SAT CHR	5742580168	1,163
Munkegaard Ø525 LED opal Gls.W/Ring CHR	5742580171	1,163
MUNKEG. 525 LED OPAL GLAS W/RING BRASS	5742580838	1,163
Munkegaard glass spring all versions	5742560531	11
Munkegaard Ø265 replacement kit LED 3K90	5742580430	313
Munkegaard Ø460 replacement kit LED 3K90	5742580456	597
Munkegaard Ø265 LED opal Gls.W/Ring SAT CHR	5742580126	671
Munkegaard Ø265 LED opal Gls.W/Ring CHR	5742580139	671
MUNKEG. 265 LED OPAL GLASS W/RING BRASS	5742580812	671
Munkegaard Ø525 replacement kit LED 3K90	5742580809	766

# Munkegaard Mini

Recessed

Design: Arne Jacobsen

**Concept:** The fixture emits diffused and comfortable light directed downwards. The white opal disc provides an even illumination of the surface. The opal front appears to hover below the ceiling, due to its suspended placement, allowing light to slip out through the gap between the disc and the fixture. This results in a different visual experience.

**Finish:** Metal Stainless steel satin. Opal white

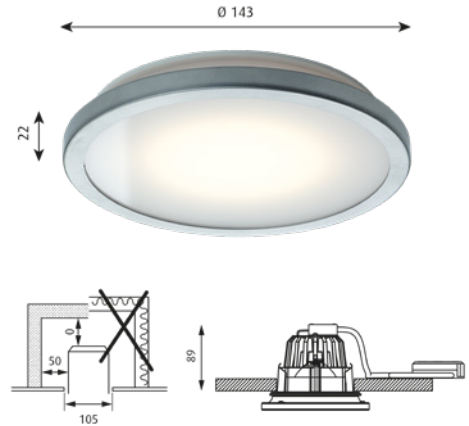
**Material:** Diffuser: Opal acrylic. Trim ring: Stainless steel

**Mounting:** Ceiling thickness: 5-32mm. Ceiling cut-out: Ø 105mm. Looping: Not approved. Driver hardwired to housing. For more information please look at [www.louispoulsen.com](http://www.louispoulsen.com).

**Weight:** Max. 0.5kg.

**Class:** Ingress protection IP20. Electric shock protection II.

**Info notes:** Supplied with light source. For LED replacement kits please do contact Louis Poulsen. The innovation of the LED technology is constant. The specifications mentioned are based on present technology.



Light source	Lumen	Finish	Class	Lighting control	Efficacy	Order-no.	RRP €
LED 3000K 12W	473	Satin Chrome Plated	II	DALI	39	5742561352	477

#### Sparepart

Munkegaard MINI trim						5742586764	184
Mini Downlight replacement kit LED 3K V2						5742560900	235
Mini Downlight LED-DA 3K V2						5742560890	294

# Above

## Pendants

Design: Mads Odgård

**Concept:** The fixture emits soft comfortable downlight. The conical shape and the matt, white-painted inside help assure even distribution of the light. The opening in the top of the fixture provides decorative illumination of the arch above, and ensures that the fixture retains the full expression of its visual shape both when illuminated and when switched off.

**Finish:** White, matt or Black, matt, wet painted.

**Material:** Shade: Spun aluminium.

**Mounting:** Suspension type: Cable 2x0,75mm<sup>2</sup> (Ø175/250) Cable 2x1,00mm<sup>2</sup> (Ø400 E27) Cable 2x1,5mm<sup>2</sup> (Ø400 LED). Cable 2x0,75mm<sup>2</sup> with wire (Ø550). Canopy: Yes. LED canopy contains driver. Cable length: 3m (Ø175/250/400 (E27)), 4m (Ø400 (LED)/Ø550).

**Weight:** Max. 4.3kg.

**Class:** Ingress protection IP20. Electric shock protection II w/o ground (E27). Electric shock protection I w. ground. (LED)

**Info notes:** Ø400 & 550 LED: Compatible with leading and trailing edge mains dimmers. Please note that low power consumption on some products can affect dimming properties.

Ø400 & 550 LED variants are delivered with antiglare shade included. For all other variants the antiglare shade can be purchased as an accessory.



Dimensions	Light source	Lumen	Finish	Class	Cable type	Lighting control	Efficacy	Order-no.	RRP €
Ø 175	1x60W E27		Black	II	BLK TEX			5741099362	389
Ø 175	1x60W E27		White	II	BLK TEX			5741099359	389
Ø 250	1x60W E27		Black	II	BLK TEX			5741099388	528
Ø 250	1x60W E27		White	II	BLK TEX			5741099375	528
Ø 400	1x100W E27		Black	II	BLK TEX			5741099401	836
Ø 400	1x100W E27		White	II	BLK TEX			5741099391	836
Ø 400	LED 3000-1800K D2W 41W	2413	Black	I	BLK TEX	DALI	59	5741101124	1,351
Ø 400	LED 3000-1800K D2W 41W	2413	Black	I	BLK TEX	PHASE DIMMING (MAINS DIMM)	59	5741101111	1,351
Ø 400	LED 3000-1800K D2W 41W	2413	Black	I	BLK TEX	WIRELESS BLUETOOTH	59	5741101137	1,351
Ø 400	LED 3000-1800K D2W 41W	2413	White	I	BLK TEX	DALI	59	5741101085	1,351
Ø 400	LED 3000-1800K D2W 41W	2413	White	I	BLK TEX	WIRELESS BLUETOOTH	59	5741101098	1,351
Ø 400	LED 3000-1800K D2W 41W	2413	White	I	BLK TEX	PHASE DIMMING (MAINS DIMM)	59	5741101072	1,351
Ø 400	LED 3000K 41W	2929	Black	I	BLK TEX	DALI	71	5741101140	1,351
Ø 400	LED 3000K 41W	2929	White	I	BLK TEX	DALI	71	5741101108	1,351
Ø 550	1x100W E27		Black	II	BLK TEX			5741099427 *	1,119
Ø 550	1x100W E27		White	II	BLK TEX			5741099414 *	1,119
Ø 550	LED 3000-1800K D2W 41W	2604	Black	I	BLK TEX	DALI	64	5741101205 *	1,631
Ø 550	LED 3000-1800K D2W 41W	2604	Black	I	BLK TEX	PHASE DIMMING (MAINS DIMM)	64	5741101195 *	1,631
Ø 550	LED 3000-1800K D2W 41W	2604	Black	I	BLK TEX	WIRELESS BLUETOOTH	64	5741101218 *	1,631
Ø 550	LED 3000-1800K D2W 41W	2604	White	I	BLK TEX	DALI	64	5741101166 *	1,631
Ø 550	LED 3000-1800K D2W 41W	2604	White	I	BLK TEX	PHASE DIMMING (MAINS DIMM)	64	5741101153 *	1,631
Ø 550	LED 3000-1800K D2W 41W	2604	White	I	BLK TEX	WIRELESS BLUETOOTH	64	5741101179 *	1,631
Ø 550	LED 3000K 41W	3160	Black	I	BLK TEX	DALI	77	5741101221 *	1,631
Ø 550	LED 3000K 41W	3160	White	I	BLK TEX	DALI	77	5741101182 *	1,631
<b>Sparepart</b>									
Canopy Black 2-part tophat®								5749329021	27
<b>Accessories</b>									
ABOVE 250 PEND ANTI-GLARE SHADE MATT								5741910483	56
ABOVE 400/550 PEND ANTI-GLARE SHADE MATT								5741910496	95
<b>Suspension</b>									
ABOVE 400 SUSPENSION D2W								5741101234	508
ABOVE 400 SUSPENSION 3K								5741101247	508

\*Available while stocks last

# AJ Royal

## Pendants

Design: Arne Jacobsen

**Concept:** The pendant comes in three sizes and is characterised by the ridges on top that allow a gentle light to exude upwards. The new, energy-saving LED version comes with a diffuser, which offers a smoother, 100% glare-free lighting.

**Finish:** White or black, wet painted.

**Material:** Shades: Spun aluminium. Rings: Steel. Diffuser: Frosted acrylic

**Mounting:** Suspension type: Cable 2x0,75mm<sup>2</sup>.  
Canopy: Yes. Cable length: 4m.

**Weight:** Max. 5.9 kg.

**Class:** Ingress protection IP20. Electric shock protection I w/ ground.

**Info notes:** The white version is supplied with a white cable and the black version is supplied with a black cable.  
Compatible with leading and trailing edge mains dimmers. Please note that low power consumption on some products can affect dimming properties.



Dimensions	Light source	Lumen	Finish	Class	Cable type	Lighting control	Efficacy	Order-no.	RRP €
Ø 250	LED 2700K 8W	508	Black	I	BLK TEX	DALI	64	5741104493 *	746
Ø 250	LED 2700K 8W	508	Black	I	BLK TEX	PHASE DIMMING (MAINS DIMM)	64	5741104176 *	746
Ø 250	LED 2700K 8W	597	White	I	WHT TEX	DALI	75	5741104480 *	746
Ø 250	LED 2700K 8W	597	White	I	WHT TEX	PHASE DIMMING (MAINS DIMM)	75	5741104163 *	746
Ø 250	LED 3000K 8W	528	Black	I	BLK TEX	DALI	66	5741104516 *	746
Ø 250	LED 3000K 8W	610	White	I	WHT TEX	DALI	76	5741104503 *	746
Ø 370	LED 2700K 16W	930	Black	I	BLK TEX	DALI	58	5741104215	1,070
Ø 370	LED 2700K 16W	930	Black	I	BLK TEX	PHASE DIMMING (MAINS DIMM)	58	5741104192	1,070
Ø 370	LED 2700K 16W	1100	White	I	WHT TEX	DALI	69	5741104202	1,070
Ø 370	LED 2700K 16W	1100	White	I	WHT TEX	PHASE DIMMING (MAINS DIMM)	69	5741104189	1,070
Ø 370	LED 3000K 16W	951	Black	I	BLK TEX	DALI	59	5741103559	1,070
Ø 370	LED 3000K 16W	1125	White	I	WHT TEX	DALI	70	5741103546	1,070
Ø 500	LED 2700K 30W	1898	Black	I	BLK TEX	DALI	63	5741104257	1,460
Ø 500	LED 2700K 30W	1898	Black	I	BLK TEX	PHASE DIMMING (MAINS DIMM)	63	5741104231	1,460
Ø 500	LED 2700K 30W	2242	White	I	WHT TEX	DALI	75	5741104244	1,460
Ø 500	LED 2700K 30W	2242	White	I	WHT TEX	PHASE DIMMING (MAINS DIMM)	75	5741104228	1,460
Ø 500	LED 3000K 30W	1955	Black	I	BLK TEX	DALI	65	5741103614	1,460
Ø 500	LED 3000K 30W	2309	White	I	WHT TEX	DALI	77	5741103601	1,460

\*Available while stocks last

# Cirque

## Pendants

**Design:** Clara von Zweigbergk

**Concept:** The fixture provides a downward glare-free soft light by means of the white lacquered inner reflector.

**Finish:** Grey top, Copper top, Red top, Yellow top, wet painted.

**Material:** Shade: Drawn aluminium.

**Mounting:** Suspension type: Cable 2x0,75mm<sup>2</sup>. Canopy: Yes. Length: 3m.

**Weight:** Max. 3kg.

**Class:** Ingress protection IP20. Electric shock protection II wo. ground.



Dimensions	Light source	Finish	Class	Cable type	Order-no.	RRP €
Ø 150	1x25W E27	Copper Top	II	OFF-WHITE TEXTILE	5741097364	389
Ø 150	1x25W E27	Grey Top	II	OFF-WHITE TEXTILE	5741094875	389
Ø 150	1x25W E27	Red Top	II	OFF-WHITE TEXTILE	5741097377	389
Ø 150	1x25W E27	Yellow Top	II	OFF-WHITE TEXTILE	5741097380	389
Ø 220	1x40W E27	Copper Top	II	OFF-WHITE TEXTILE	5741097335	567
Ø 220	1x40W E27	Grey Top	II	OFF-WHITE TEXTILE	5741094862	567
Ø 220	1x40W E27	Red Top	II	OFF-WHITE TEXTILE	5741097348	567
Ø 220	1x40W E27	Yellow Top	II	OFF-WHITE TEXTILE	5741097351	567
Ø 380	1x60W E27	Copper Top	II	OFF-WHITE TEXTILE	5741097306	843
Ø 380	1x60W E27	Grey Top	II	OFF-WHITE TEXTILE	5741094859	843
Ø 380	1x60W E27	Red Top	II	OFF-WHITE TEXTILE	5741097319	843
Ø 380	1x60W E27	Yellow Top	II	OFF-WHITE TEXTILE	5741097322	843
<b>Sparepart</b>						
Cirque Ø150 susp 25W E27					5741097500	152
Cirque Ø220 susp 40W E27					5741097490	176
Cirque Ø380 susp 60W E27					5741097487	195
Canopy White 2-part tophat ©					5749329034	27



# Collage 450/600

## Pendants

Design: Louise Campbell

**Concept:** The fixture emits diffused light directed primarily downwards. The patterns on the three lasercut acrylic shades have been carefully staggered with the aim of eliminating unpleasant glare from the light source. The patterns differ between the shades, resulting in different perceptions of light and shadow depending on the viewing angle. A soft and comfortable light will be obtained by mounting the lower antiglare shade.

**Finish:** White Matt.

**Material:** Suspension: Natural anodised aluminium. Shades: Laser cut matt acrylic.

**Mounting:** Suspension type: Cable 2x1.0mm<sup>2</sup>. Canopy: Yes. Cable length: 3m.

**Weight:** Max. 3kg.

**Class:** Ingress protection IP20. Electric shock protection II w/o ground.

**Info notes:** Top- and bottom antiglare shades are available as accessories.



Dimensions	Light source	Finish	Class	Order-no.	RRP €
Ø 450	1x70W E27	White Matt	II	5741095214	1,249
Ø 600	1x70W E27	White Matt	II	5741095311	1,946
<b>Sparepart</b>					
Collage Ø450/Ø600 Pendant inc suspen.				5741094079	169
Canopy White 2-part tophat @				5749329034	27
<b>Accessories</b>					
COLLAGE 450 ANTI-GLARE BOT.SHAD. MATT				5741095191	117
COLLAGE 600 ANTI G TOP SHADE MATT >2011				5741095308	117
COLLAGE 600 ANTI G BOTM SHADE MATT >2011				5741095298	156
COLLAGE 450 ANTI-GLARE TOPSHADE MATT				5741095201	78

# Dependant

## Pendants

Design: Kilo Design

**Concept:** The suspension system allows the clustering of multiple pendants to create larger installations. It comes in a linear and a circular version, both available in two dimensions. The linear system holds either three or five pendants while the circular system holds four or six pendants.

Each pendant is suspended on the cable with which it is provided, and the system enables the user to position each individual pendant at the preferred height. The system is easy to install and comes in three finishes to match the suspended pendants.

**Finish:** Brass metallised, Black or White, powder coated.

**Material:** Canopy, tubes and fittings: Aluminum. Grommets, fitting inserts and set screws: PC, white or black. Clear PVC coated wires: Steel or black. Set screws in canopy: Steel or black.

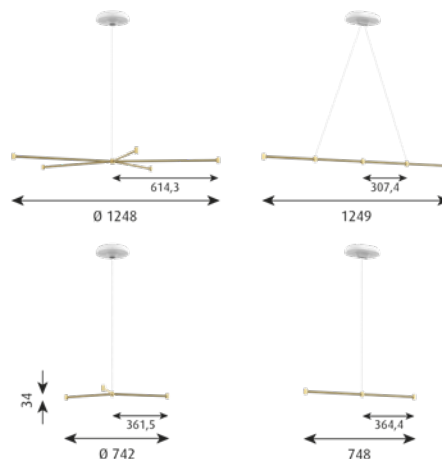
White suspension has white canopy, white fitting inserts plus steel wires.  
 Black suspension has black canopy, black fitting inserts and black wires.  
 Brass metallised suspensions has either white or black canopy plus the corresponding set of fitting inserts and wires.

**Mounting:** The canopy is mounted directly on the ceiling . Can be mounted directly on the power outlet or for side entry. For side entry only fixed installation.

Looping approved: Max. 5 x 2.5 mm<sup>2</sup>.  
 Wires included. Length of wires: 4 m.  
 Maximum dimension of pendant cable Ø9 mm.

**Class:** Canopy: Ingress protection IP20. Electric shock protection I

**Info notes:** Can only be used for socket based pendants up to 5 kg.  
 Not applicable for pendants with cable and wirers.



Dimensions	Finish	Order-no.	RRP €
3 LINEAR	Black	5741106268	463
3 LINEAR	Brass Metallised/Black	5741108790	593
3 LINEAR	Brass Metallised/White	5741106242	593
3 LINEAR	White	5741106255	463
4 CIRCULAR	Black	5741106297	593
4 CIRCULAR	Brass Metallised/Black	5741108800	771
4 CIRCULAR	Brass Metallised/White	5741106271	771
4 CIRCULAR	White	5741106284	593
5 LINEAR	Black	5741106323	625
5 LINEAR	Brass Metallised/Black	5741108813	876
5 LINEAR	Brass Metallised/White	5741106307	876
5 LINEAR	White	5741106310	625
6 CIRCULAR	Black	5741106352	771
6 CIRCULAR	Brass Metallised/Black	5741108826	1,128
6 CIRCULAR	Brass Metallised/White	5741106336	1,128
6 CIRCULAR	White	5741106349	771

# Doo-Wop

## Pendants

**Design:** Louis Poulsen A/S in cooperation with the Navy Buildings Department

**Concept:** The fixture primarily provides a downward directed soft light by means of the white lacquered inner conical reflector. The outer reflector, the main shade, contributes to directing the light up- and downwards, while at the same time spreading the soft diffused light. The inside of the main shade is illuminated through an opening in the inner conical reflector.

**Finish:** White or Dark Grey, powder coated or polished Brass, Copper or Stainless Steel.

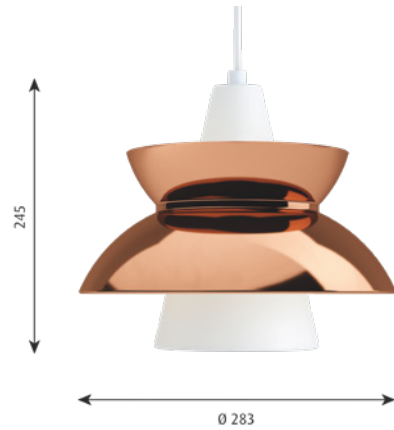
**Material:** Shade: Spun aluminium, brass, copper or stainless steel. Suspension: Spun aluminium. Struts: Stainless steel.

**Mounting:** Suspension type: Cable 2x0,75mm<sup>2</sup>. Canopy: Yes. Cable length: 3m.

**Weight:** Max. 2Kg.

**Class:** Ingress protection IP20. Electric shock protection II.

**Info notes:** Please note that the brass, copper and stainless steel surfaces are untreated. This means that the surface will change over time and develop a patina. This process may have already begun when the product is delivered.



Light source	Finish	Class	Cable type	Order-no.	RRP €
1x60W E27	Brass	II	WHT TEX	5741093465	1,005
1x60W E27	Copper	II	WHT TEX	5741093504	1,005
1x60W E27	Dark Grey	II	WHT TEX	5741093423	609
1x60W E27	Stainless Steel Polished	II	WHT TEX	5741093517 *	1,005
1x60W E27	White	II	WHT TEX	5741093410	609
<b>Sparepart</b>					
Doo-Wop socket + cord suspension				5741094613	117
Canopy White 2-part tophat ©				5749329034	27

\*Available while stocks last

# Enigma 425

## Pendants

**Design:** Shoichi Uchiyama

**Concept:** The fixture emits glare-free, soft, comfortable downward light. The shade design ensures even illumination of the surface. The matt upper surface diffuses the light, while the shiny lower surface ensures optimal reflection.

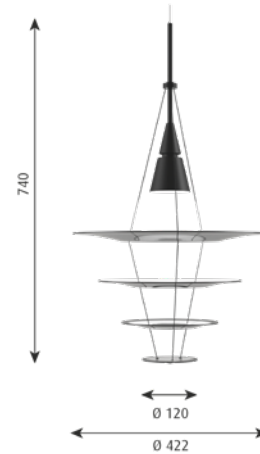
**Finish:** Brushed aluminium, clear coated or black wet painted. Shades: White or black acrylic.

**Material:** Cone and pendant tube: Lacquered or wet painted brushed aluminium. Wire: Stainless steel. Shades: Acrylic.

**Mounting:** Suspension type: Cable 2x0,75mm<sup>2</sup>. Canopy: Yes. Cable length: 3m.

**Weight:** Max. 1.1 kg.

**Class:** Ingress protection IP20. Electric shock protection II w/o ground.



Dimensions	Light source	Finish	Class	Cable type	Order-no.	RRP €
Ø 425	1x20W GU10	Black	II	BLK PL	5741088726	941
Ø 425	1x20W GU10	BR. ALU	II	TRANSP CABLE	5741088739	941
<b>Sparepart</b>						
Enigma Pendant shade Ø120 w/bush. white					5741086786	116
Enigma Pendant shade Ø120 w/bush. black					5741088878	116
Enigma Ø425 susp 3M cable w/socket black					5741088784	120
Enigma Ø425 susp 3M cable w/socket alu					5741088797	120
Enigma Pendant shade Ø210 white					5741086799	125
Enigma Pendant shade Ø210 black					5741088881	125
Enigma Pendant shade Ø310 white					5741086809	139
Enigma Pendant shade Ø310 black					5741088894	139
Enigma Ø545 susp 3M cable w/socket black					5741088807	151
Enigma Ø545 susp 3M cable w/socket alu					5741088810	151
Enigma Pendant shade Ø422 white					5741086812	185
Enigma Pendant shade Ø422 black					5741088904	185
Canopy Black 2-part tophat®					5749329021	27
Canopy White 2-part tophat ©					5749329034	27

# Enigma 545

## Pendants

**Design:** Shoichi Uchiyama

**Concept:** The fixture emits glare-free, soft, comfortable downward light. The shade design ensures even illumination of the surface. The matt upper surface diffuses the light, while the glossy lower surface ensures optimal reflection.

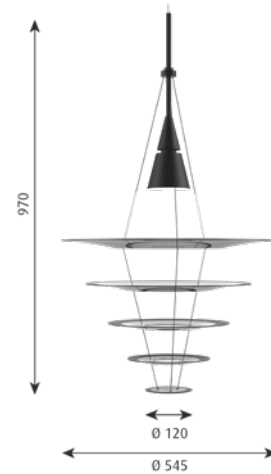
**Finish:** Brushed aluminium, clear coated or black wet painted. Shades: White or black acrylic.

**Material:** Cone and pendant tube: Lacquered or wet painted brushed aluminium. Wire: Stainless steel. Shades: Acrylic.

**Mounting:** Suspension type: Cable 2x0,75mm<sup>2</sup>. Canopy: Yes. Cable length: 3m

**Weight:** Max. 2.1 kg.

**Class:** Ingress protection IP20. Electric shock protection II w/o ground.



Light source	Finish	Class	Cable type	Order-no.	RRP €
1x40W GU10	Black	II	BLK PL	5741088742	1,557
1x40W GU10	BR. ALU	II	TRANSP CABLE	5741088755	1,557
<b>Sparepart</b>					
Enigma Pendant shade Ø120 w/bush. white				5741086786	116
Enigma Pendant shade Ø120 w/bush. black				5741088878	116
Enigma Pendant shade Ø210 white				5741086799	125
Enigma Pendant shade Ø210 black				5741088881	125
Enigma Pendant shade Ø310 white				5741086809	139
Enigma Pendant shade Ø310 black				5741088894	139
Enigma Ø545 susp 3M cable w/socket black				5741088807	151
Enigma Ø545 susp 3M cable w/socket alu				5741088810	151
Enigma Pendant shade Ø422 white				5741086812	185
Enigma Pendant shade Ø422 black				5741088904	185
Canopy Black 2-part tophat®				5749329021	27
Canopy White 2-part tophat®				5749329034	27
Enigma Pendant shade Ø545 white				5741087099	325
Enigma Pendant shade Ø545 black				5741088917	325

# Enigma 825

## Pendants

**Design:** Shoichi Uchiyama

**Concept:** The fixture emits glare-free, soft, and comfortable downward light. The shade design ensures even illumination of the surface. The matt upper surface diffuses the light, while the glossy lower surface ensures optimal reflection.

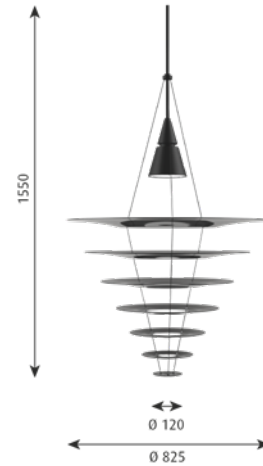
**Finish:** Aluminium coloured or black wet painted, aluminium. Shades: White or black acrylic.

**Material:** Cone and pendant tube: Wet painted aluminium. Wire: Stainless steel. Shades: Acrylic.

**Mounting:** Suspension type: Cable 2x0,75mm<sup>2</sup> & wire. Canopy: Yes. Cable length: 4m.

**Weight:** Max. 7.7kg.

**Class:** Ingress protection IP20. Electric shock protection I w. ground.



Light source	Lumen	Finish	Class	Cable type	Lighting control	Efficacy	Order-no.	RRP €
LED 3000K 57W	3401	Black	I	BLK PL	DALI	60	5741088768	3,731
LED 3000K 57W	5883	BR. ALU	I	TRANSP CABLE	DALI	103	5741088771	3,731
<b>Sparepart</b>								
Enigma Pendant shade Ø120 w/bush. white							5741086786	116
Enigma Pendant shade Ø120 w/bush. black							5741088878	116
Enigma Pendant shade Ø210 white							5741086799	125
Enigma Pendant shade Ø210 black							5741088881	125
Enigma Pendant shade Ø310 white							5741086809	139
Enigma Pendant shade Ø310 black							5741088894	139
Enigma Pendant shade Ø422 white							5741086812	185
Enigma Pendant shade Ø422 black							5741088904	185
Enigma Ø825 susp 4M cable w/LED black							5741088823	2,706
Enigma Ø825 susp 4M cable w/LED							5741088836	2,706
Canopy Black 2-part tophat®							5749329021	27
Canopy White 2-part tophat ®							5749329034	27
Enigma Ø825 replacement kit LED 27K90							5741088849	291
Enigma Ø825 replacement kit LED 3K90							5741088852	291
Enigma Pendant shade Ø545 white							5741087099	325
Enigma Pendant shade Ø545 black							5741088917	325
Enigma Pendant shade Ø680 black							5741088920	370
Enigma Pendant shade Ø680 white							5741088946	370
Enigma Pendant shade Ø825 black							5741088933	440
Enigma Pendant shade Ø825 white							5741088959	440

# Keglen

## Pendants

Design: Big Ideas

**Concept:** The pendants distinctive conical shades each have a built-in curved opal insert. This ensures a both attractive and glare-free downward light. Each version of the shade provides its own diffusion of light while the white inner side ensures that its light is reflected flawlessly. A gentle light is also emitted upwards through a uniform, discreet opening in the top of the shades which adds to the perfect ambience.

**Finish:** Black or white, matt, wet painted.

**Material:** Shade: Spun aluminium.  
Diffuser: Injection moulded PC.

**Mounting:** Suspension type: Cable and wire, 2x0,75mm<sup>2</sup>  
Canopy: Yes.  
Cable length: 4m

**Weight:** Max. 6.6 kg.

**Class:** Ingress protection IP20. Electric shock protection I.

**Info notes:** Compatible with leading and trailing edge mains dimmers. Please note that low power consumption on some products can affect dimming properties.



Dimensions	Light source	Lumen	Finish	Class	Cable type	Lighting control	Efficacy	Order-no.	RRP €
Ø 175	LED 2700K 5.5W	276	Black	I	BLK TEX/WIRE	DALI	50	5741103737	519
Ø 175	LED 2700K 5.5W	276	Black	I	BLK TEX/WIRE	PHASE DIMMING (MAINS DIMM)	50	5741103724	519
Ø 175	LED 2700K 5.5W	360	White	I	WHT TEX/WIRE	DALI	65	5741103711	519
Ø 175	LED 2700K 5.5W	360	White	I	WHT TEX/WIRE	PHASE DIMMING (MAINS DIMM)	65	5741103708	519
Ø 175	LED 3000K 5.5W	287	Black	I	BLK TEX/WIRE	DALI	52	5741102903	519
Ø 175	LED 3000K 5.5W	371	White	I	WHT TEX/WIRE	DALI	67	5741102877	519
Ø 250	LED 2700K 8W	381	Black	I	BLK TEX/WIRE	DALI	48	5741103779	713
Ø 250	LED 2700K 8W	381	Black	I	BLK TEX/WIRE	PHASE DIMMING (MAINS DIMM)	48	5741103766	713
Ø 250	LED 2700K 8W	462	White	I	WHT TEX/WIRE	DALI	58	5741103753	713
Ø 250	LED 2700K 8W	462	White	I	WHT TEX/WIRE	PHASE DIMMING (MAINS DIMM)	58	5741103740	713
Ø 250	LED 3000K 8W	390	Black	I	BLK TEX/WIRE	DALI	49	5741102961	713
Ø 250	LED 3000K 8W	472	White	I	WHT TEX/WIRE	DALI	59	5741102932	713
Ø 400	LED 2700K 21W	1195	Black	I	BLK TEX/WIRE	DALI	57	5741103818	957
Ø 400	LED 2700K 21W	1195	Black	I	BLK TEX/WIRE	PHASE DIMMING (MAINS DIMM)	57	5741103805	957
Ø 400	LED 2700K 21W	1357	White	I	WHT TEX/WIRE	DALI	65	5741103795	957
Ø 400	LED 2700K 21W	1357	White	I	WHT TEX/WIRE	PHASE DIMMING (MAINS DIMM)	65	5741103782	957
Ø 400	LED 3000K 21W	1231	Black	I	BLK TEX/WIRE	DALI	59	5741103025	957
Ø 400	LED 3000K 21W	1398	White	I	WHT TEX/WIRE	DALI	67	5741102990	957
Ø 650	LED 2700K 31W	2035	Black	I	BLK TEX/WIRE	DALI	66	5741103850	1,460
Ø 650	LED 2700K 31W	2035	Black	I	BLK TEX/WIRE	PHASE DIMMING (MAINS DIMM)	66	5741103847	1,460
Ø 650	LED 2700K 31W	2104	White	I	WHT TEX/WIRE	DALI	68	5741103834	1,460
Ø 650	LED 2700K 31W	2104	White	I	WHT TEX/WIRE	PHASE DIMMING (MAINS DIMM)	68	5741103821	1,460
Ø 650	LED 3000K 31W	2180	Black	I	BLK TEX/WIRE	DALI	70	5741103083	1,460
Ø 650	LED 3000K 31W	2254	White	I	WHT TEX/WIRE	DALI	73	5741103054	1,460

# LC Shutters

## Pendants

**Design:** Louise Campbell

**Concept:** The fixture emits a primarily downward illumination. The perforated pattern on the shade provides a soft illumination around the fixture. Meanwhile, the perforation helps to lighten up the surface of the shade in a decorative way, when it is turned on, thereby maintaining the contour of the fixture, whether it is on or off. The light source is surrounded by an opal diffuser, which ensures that the fixture is 100% glare-free, and that the fixture is suitable for several types of light sources providing the same light distribution and comfort. And finally, the shape of the diffuser allows a beautiful view into the fixture.

**Finish:** White, powder coated.

**Material:** Shade: Spun aluminium. Punched and embossed. Suspension: Powder coated die casted aluminium. Diffuser ball: Mouth-blown white opal glass.

**Mounting:** Suspension type: Cable 2x1mm<sup>2</sup>. Canopy: Yes. Cable length: 3m.

**Weight:** Max. 3,2kg.

**Class:** Ingress protection IP20. Electric shock protection II wo. ground.



Light source	Finish	Class	Order-no.	RRP €
1x70W E27	White	II	5741092903	811
<b>Sparepart</b>				
LC Shutters 70W suspension V2			5741094626	176
LC Shutters diffuser ball V2			5741094639	176
Canopy White 2-part tophat ©			5749329034	27



# LP Circle Suspended

## Pendants

**Design:** Mikkel Beedholm/KHR Architecture

**Concept:** The fixture emits diffused light via a high-efficiency acrylic diffuser. The diffuser, which is encircled by a voluminous coloured or white ring, is hidden when viewed from low angles. Angling the inner side of the ring 5° creates a comfortable and decorative gradation of the light from the diffuser. Perforated body discreetly illuminates the other components of the fixture.

**Finish:** White, Black, Pale Petroleum or Yellow. Powder coated.

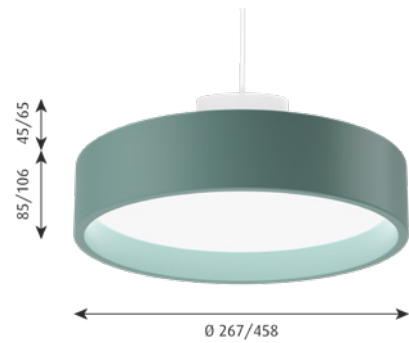
**Material:** Reflector: Deep drawn aluminium. Diffuser: Acrylic, frosted.

**Mounting:** Hung: Cord 5x1.5mm<sup>2</sup>, 3m.

**Weight:** Max 2,3kg. (Ø260). Max 5kg. (Ø450).

**Class:** Ingress protection IP20. Electric shock protection I.

**Info notes:** LED technology is constantly developing. The specifications given are based on existing technology. For LED replacement kit please do contact Louis Poulsen. Please contact Louis Poulsen for the following versions: LP Circle Ø 450 HO: High output for projects with high ceilings or where high illumination is required. LP Circle Ø 450 with microprismatic diffuser for UGR <19 (CIE 117). If you have special requirements concerning colour temperature, IP class or other modifications to the LP Circle model, please contact Louis Poulsen.



Dimensions	Light source	Lumen	Finish	Class	Shield/Diffuser	Cable type	Mounting	Lighting control	Efficacy	Order-no.	RRP €
Ø 260	LED 3000K (ra90)		White	I	PRISMATIC	WHT TEX	SUSPENDED	DALI/SWITCH-DIM		5741105638	1,080
Ø 260	LED 3000K 13W	1020	Black	I	OPAL	WHT TEX	SUSPENDED	DALI/SWITCH-DIM	78	5741099773	933
Ø 260	LED 3000K 13W	1083	Pale Petroleum	I	OPAL	WHT TEX	SUSPENDED	DALI/SWITCH-DIM	83	5741095573	933
Ø 260	LED 3000K 13W	1315	White	I	OPAL	WHT TEX	SUSPENDED	DALI/SWITCH-DIM	101	5741094888	933
Ø 260	LED 3000K 13W	1194	Yellow	I	OPAL	WHT TEX	SUSPENDED	DALI/SWITCH-DIM	92	5741095586	933
Ø 260	LED 4000K (ra90)		White	I	PRISMATIC	WHT TEX	SUSPENDED	DALI/SWITCH-DIM		5741105641	1,080
Ø 260	LED 4000K 13W	1357	White	I	OPAL	WHT TEX	SUSPENDED	DALI/SWITCH-DIM	104	5741097047	933
Ø 260	LED KELVIN ADJUSTABLE	1251	White	I	OPAL	WHT TEX	SUSPENDED	DALI KELVIN ADJUSTABLE	78	5741098208	1,057
Ø 260	LED KELVIN ADJUSTABLE		White	I	PRISMATIC	WHT TEX	SUSPENDED	DALI KELVIN ADJUSTABLE		5741105654	1,204
Ø 450	LED 3000K 25W	2356	Black	I	OPAL	WHT TEX	SUSPENDED	DALI/SWITCH-DIM	94	5741099786	1,445
Ø 450	LED 3000K 25W	2424	Pale Petroleum	I	OPAL	WHT TEX	SUSPENDED	DALI/SWITCH-DIM	97	5741095654	1,445
Ø 450	LED 3000K 25W	2655	White	I	OPAL	WHT TEX	SUSPENDED	DALI/SWITCH-DIM	106	5741094891	1,445
Ø 450	LED 3000K 25W	2564	Yellow	I	OPAL	WHT TEX	SUSPENDED	DALI/SWITCH-DIM	103	5741095667	1,445
Ø 450	LED 3000K 35W	3978	White	I	OPAL	WHT TEX	SUSPENDED	DALI HIGH OUTPUT	114	5741105667	1,567
Ø 450	LED 3000K 35W	3631	White	I	PRISMATIC	WHT TEX	SUSPENDED	DALI HIGH OUTPUT	104	5741105670	1,714
Ø 450	LED 4000K 25W	2741	White	I	OPAL	WHT TEX	SUSPENDED	DALI/SWITCH-DIM	110	5741106996	1,445
Ø 450	LED 4000K 25W	2320	White	I	PRISMATIC	WHT TEX	SUSPENDED	DALI/SWITCH-DIM	93	5741105706	1,591
Ø 450	LED 4000K 35W	4106	White	I	OPAL	WHT TEX	SUSPENDED	DALI HIGH OUTPUT	117	5741105683	1,567
Ø 450	LED 4000K 35W	3748	White	I	PRISMATIC	WHT TEX	SUSPENDED	DALI HIGH OUTPUT	107	5741105696	1,714
Ø 450	LED KELVIN ADJUSTABLE	2659	White	I	OPAL	WHT TEX	SUSPENDED	DALI KELVIN ADJUSTABLE	98	5741098211	1,552
Ø 450	LED KELVIN ADJUSTABLE		White	I	PRISMATIC	WHT TEX	SUSPENDED	DALI KELVIN ADJUSTABLE		5741105719	1,698
<b>Sparepart</b>											
Circle Ø260 diffuser opal										5742583657	135
Circle Ø450 diffuser opal										5742583660	172
Circle Ø260 replacement kit LED 3K90										5741087824	270
Circle Ø260 replacement kit LED 4K90										5741087837	270
Circle Ø450 replacement kit LED 3K90										5741087840	277
Circle Ø450 replacement kit LED 4K90										5741087853	277
<b>Accessories</b>											
Circle Ø450 prismatic diffuser										5742583644	197

Please contact Louis Poulsen for 4000K or Kelvin Adjustable in additional finishes.

# LP Grand Suspended

## Pendants

**Design:** Christian Flindt

**Concept:** The circular luminaire emits a combination of softly diffused, glare-free, downwardly directed light and reflected indirect light from its curved upper rings. A large angled reflector encircles the diffuser and reduces the contrast around the edge. The top reflector is perfectly curved to distribute uplight at a broad angle. A colored outer shade surrounds the reflector and creates an interreflection of light, resulting in a graceful glow on the outside of the top and bottom reflectors. In total, it creates four rings of light surrounding the central diffuser.

**Finish:** Reflector: Matte-white satin finish.  
Outer shade (outside): Matte (black and champagne) or gloss (white). Wet-painted surface. Diffuser: Glossy.

**Material:** Ø320:  
Top reflector: ABS.  
Bottom reflector: ABS.  
Outer shade: ABS.  
Diffusor: PMMA.  
Housing: Die-cast Aluminum.

Ø580:  
Top reflector: ABS.  
Bottom reflector: PE.  
Outer shade: ABS.  
Diffusor: PMMA.  
Housing: ABS.

Ø880:  
Top reflector: PE.  
Bottom reflector: PE.  
Outer shade: ABS.  
Diffusor: PMMA.  
Housing: ABS.

Ø1480:  
Top reflector: PE.  
Bottom reflector: PE.  
Outer shade: ABS.  
Diffusor: PMMA.  
Housing: ABS.

**Mounting:** Ø320:  
Suspension type: Cord 2 x 0.75 mm<sup>2</sup> with cord & 3 wires.  
Canopy: Yes. Driver integrated into canopy.  
Cord length: 4 m.  
Looping: Max. 5 x 2,5 mm<sup>2</sup>.

Ø580:  
Suspension type: Cable 5x0,75mm<sup>2</sup> with cable & wire.  
1x5x0,75mm<sup>2</sup> with cable & 3 wires.  
Canopy cover: Yes.  
Cable & Wire length: 4 m.  
Looping: No.

Ø880:  
Suspension type: Cable 5x0,75mm<sup>2</sup> with cable & wire.  
1x5x0,75mm<sup>2</sup> with cable & 3 wires.  
Canopy cover: Yes.  
Cable & Wire length: 4 m.  
Looping: No.

Ø1480:  
Suspension type: Cable 5x0,75mm<sup>2</sup> with cable & wire.  
2x5x0,75mm<sup>2</sup> with cable & 4 wires.  
Canopy cover: No.  
Cable & Wire length: 4 m.  
Looping: No.

**Weight:** Max. Ø320: 2,6kg.  
Max. Ø580: 6 kg.  
Max. Ø880: 16 kg.  
Max. Ø1480: 55 kg.



Class: Ingress protection IP20. Electric shock protection I w/ground.

Info notes: LP Grand 320 will not be launched in Japan.

Dimensions	Light source	Lumen	Finish	Class	Light technique	Cable type	Mounting	Lighting control	Efficacy	Order-no.	RRP €
Ø 1480	LED 3000K 199W	21543	Black	I	W/UPLIGHT	WHT PL	SUSPENDED	DALI	108	5741091988	12,276
Ø 1480	LED 3000K 199W	21543	Champagne	I	W/UPLIGHT	WHT PL	SUSPENDED	DALI	108	5741091975	12,276
Ø 1480	LED 3000K 199W	21543	White	I	W/UPLIGHT	WHT PL	SUSPENDED	DALI	108	5741091962	12,276
Ø 320	LED 2700K 12W	1052	Black	I	W/UPLIGHT	WHT PL	SUSPENDED	PHASE DIMMING (MAINS DIMM)	88	5741108363	1,168
Ø 320	LED 2700K 12W	1052	Black	I	W/UPLIGHT	WHT PL	SUSPENDED	DALI	88	5741108334	1,168
Ø 320	LED 2700K 12W	1052	Champagne	I	W/UPLIGHT	WHT PL	SUSPENDED	DALI	88	5741108321	1,168
Ø 320	LED 2700K 12W	1052	Champagne	I	W/UPLIGHT	WHT PL	SUSPENDED	PHASE DIMMING (MAINS DIMM)	88	5741108350	1,168
Ø 320	LED 2700K 12W	1052	White	I	W/UPLIGHT	WHT PL	SUSPENDED	DALI	88	5741108318	1,168
Ø 320	LED 2700K 12W	1052	White	I	W/UPLIGHT	WHT PL	SUSPENDED	PHASE DIMMING (MAINS DIMM)	88	5741108347	1,168
Ø 320	LED 3000K 12W	1151	Black	I	W/UPLIGHT	WHT PL	SUSPENDED	DALI	96	5741108392	1,168
Ø 320	LED 3000K 12W	1151	Black	I	W/UPLIGHT	WHT PL	SUSPENDED	PHASE DIMMING (MAINS DIMM)	96	5741108428	1,168
Ø 320	LED 3000K 12W	1151	Champagne	I	W/UPLIGHT	WHT PL	SUSPENDED	DALI	96	5741108389	1,168
Ø 320	LED 3000K 12W	1151	Champagne	I	W/UPLIGHT	WHT PL	SUSPENDED	PHASE DIMMING (MAINS DIMM)	96	5741108415	1,168
Ø 320	LED 3000K 12W	1151	White	I	W/UPLIGHT	WHT PL	SUSPENDED	DALI	96	5741108376	1,168
Ø 320	LED 3000K 12W	1151	White	I	W/UPLIGHT	WHT PL	SUSPENDED	PHASE DIMMING (MAINS DIMM)	96	5741108402	1,168
Ø 320	LED 4000K 12W	1166	Black	I	W/UPLIGHT	WHT PL	SUSPENDED	DALI	97	5741108457	1,168
Ø 320	LED 4000K 12W	1166	Black	I	W/UPLIGHT	WHT PL	SUSPENDED	PHASE DIMMING (MAINS DIMM)	97	5741108486	1,168
Ø 320	LED 4000K 12W	1166	Champagne	I	W/UPLIGHT	WHT PL	SUSPENDED	DALI	97	5741108444	1,168
Ø 320	LED 4000K 12W	1166	Champagne	I	W/UPLIGHT	WHT PL	SUSPENDED	PHASE DIMMING (MAINS DIMM)	97	5741108473	1,168
Ø 320	LED 4000K 12W	1166	White	I	W/UPLIGHT	WHT PL	SUSPENDED	DALI	97	5741108431	1,168
Ø 320	LED 4000K 12W	1166	White	I	W/UPLIGHT	WHT PL	SUSPENDED	PHASE DIMMING (MAINS DIMM)	97	5741108460	1,168
Ø 580	LED 3000K 59W	5225	Black	I	W/UPLIGHT	WHT PL	SUSPENDED	DALI	89	5741091920	2,224
Ø 580	LED 3000K 59W	5225	Champagne	I	W/UPLIGHT	WHT PL	SUSPENDED	DALI	89	5741091917	2,224
Ø 580	LED 3000K 59W	5225	White	I	W/UPLIGHT	WHT PL	SUSPENDED	DALI	89	5741091904	2,224
Ø 880	LED 3000K 109W	11063	Black	I	W/UPLIGHT	WHT PL	SUSPENDED	DALI	101	5741091959	4,581
Ø 880	LED 3000K 109W	11063	Champagne	I	W/UPLIGHT	WHT PL	SUSPENDED	DALI	101	5741091946	4,581
Ø 880	LED 3000K 109W	11063	White	I	W/UPLIGHT	WHT PL	SUSPENDED	DALI	101	5741091933	4,581
<b>Sparepart</b>											
LP Grand Ø1480 replacement kit LED 3K90										5741092851	2,557
LP Grand Ø580 replacement kit LED 3K										5741098127	208
LP Grand Ø580 replacement kit LED 3K90										5741092835	277
LP Grand Ø580 replacement kit LED 3K UPLI										5741099498	277
LP Grand Ø880 replacement kit LED 3K UPLI										5741099508	484
LP Grand Ø880 replacement kit LED 3K90										5741092848	760
LP Grand Ø1480 replacement kit LED 3K UPL										5741099511	829

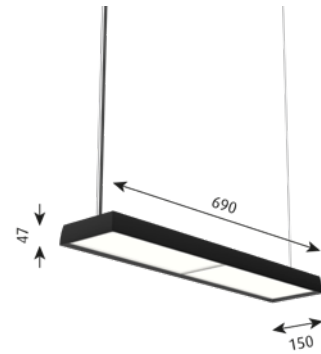
\*\*Please specify upon ordering.

# LP Slim Box Suspended

## Pendants

Design: Louis Poulsen A/S

**Concept:** The slim, rectangular housing frames a high-efficient light unit. Emitting a primarily downward directed light the fixture also has an indirect light component ensuring illumination of ceilings. The light egress emphasises design details in the housing and the fixture can be connected lengthwise into a double length unit creating further possibilities for splendid illumination in a vast range of environments.



**Finish:** White or black, powder coated or clear lacquered, pickled aluminium.

**Material:** Frame/Housing: Die cast Aluminium, Light Engine bottom: Acrylic (Opal or clear). Light Engine top: Acrylic opal. Top diffuser: Acrylic. Canopy Cover: ABS

**Mounting:** Suspension: Cord 4x18AWG, 5m. Driver integrated in canopy.

**Weight:** Single: Max. 5 kg.

Double: Max. 8 kg.

**Class:** Ingress protection IP20. Electric shock protection I.

Light source	Lumen	Finish	Class	Shield/Diffuser	Cable type	Mounting	Lighting control	Efficacy	Order-no.	RRP €
LED 3000K 34W	3102	Black	I	MICRO PRISMATIC	BLK PL	SINGLE	DALI	91	5741104723	1,416
LED 3000K 34W	3102	Black	I	MICRO PRISMATIC	BLK PL	SINGLE	WIRELESS BLUETOOTH	91	5741105450	1,612
LED 3000K 34W	3135	Black	I	OPAL	BLK PL	SINGLE	WIRELESS BLUETOOTH	92	5741105405	1,612
LED 3000K 34W	3135	Black	I	OPAL	BLK PL	SINGLE	DALI	92	5741104655	1,416
LED 3000K 34W	3138	Dark Aluminium Raw	I	MICRO PRISMATIC	BLK PL	SINGLE	DALI	92	5741104736	1,416
LED 3000K 34W	3138	Dark Aluminium Raw	I	MICRO PRISMATIC	BLK PL	SINGLE	WIRELESS BLUETOOTH	92	5741105463	1,612
LED 3000K 34W	3165	Dark Aluminium Raw	I	OPAL	BLK PL	SINGLE	DALI	93	5741104668	1,416
LED 3000K 34W	3165	Dark Aluminium Raw	I	OPAL	BLK PL	SINGLE	WIRELESS BLUETOOTH	93	5741105418	1,612
LED 3000K 34W	3283	White	I	MICRO PRISMATIC	WHT PL	SINGLE	DALI	97	5741104710	1,416
LED 3000K 34W	3283	White	I	MICRO PRISMATIC	WHT PL	SINGLE	WIRELESS BLUETOOTH	97	5741105447	1,612
LED 3000K 34W	3455	White	I	OPAL	WHT PL	SINGLE	DALI	102	5741104642	1,416
LED 3000K 34W	3455	White	I	OPAL	WHT PL	SINGLE	WIRELESS BLUETOOTH	102	5741105395	1,612
LED 3000K 47W	4381	White	I	MICRO PRISMATIC	WHT PL	SINGLE	DALI HIGH OUTPUT	93	5741105544	1,514
LED 3000K 47W	4381	White	I	MICRO PRISMATIC	WHT PL	SINGLE	WIRELESS BLUETOOTH HO	93	5741105609	1,710
LED 3000K 47W	4685	White	I	OPAL	WHT PL	SINGLE	DALI HIGH OUTPUT	100	5741105515	1,514
LED 3000K 47W	4685	White	I	OPAL	WHT PL	SINGLE	WIRELESS BLUETOOTH HO	100	5741105573	1,710
LED 3000K 51W	4773	Black		MICRO PRISMATIC	BLK PL	SUSP DOUBLE PARALLEL	DALI	94	5741109003	2,393
LED 3000K 51W	4823	Black		OPAL	BLK PL	SUSP DOUBLE PARALLEL	DALI	95	5741108936	2,393
LED 3000K 51W	4823	Black		OPAL	BLK PL	SUSP DOUBLE PARALLEL	WIRELESS BLUETOOTH	95	5741108978	2,849
LED 3000K 51W	4773	Black	I	MICRO PRISMATIC	BLK PL	DOUBLE	DALI	94	5741104862	2,393
LED 3000K 51W	4773	Black	I	MICRO PRISMATIC	BLK PL	DOUBLE	WIRELESS BLUETOOTH	94	5741104697	2,849
LED 3000K 51W	4823	Black	I	OPAL	BLK PL	DOUBLE	DALI	95	5741104794	2,393
LED 3000K 51W	4823	Black	I	OPAL	BLK PL	DOUBLE	WIRELESS BLUETOOTH	95	5741104833	2,849
LED 3000K 51W	4828	Dark Aluminium Raw		MICRO PRISMATIC	BLK PL	SUSP DOUBLE PARALLEL	DALI	95	5741109016	2,393
LED 3000K 51W	4828	Dark Aluminium Raw		MICRO PRISMATIC	BLK PL	SUSP DOUBLE PARALLEL	WIRELESS BLUETOOTH	95	5741108907	2,849
LED 3000K 51W	4870	Dark Aluminium Raw		OPAL	BLK PL	SUSP DOUBLE PARALLEL	DALI	95	5741108949	2,393
LED 3000K 51W	4870	Dark Aluminium Raw		OPAL	BLK PL	SUSP DOUBLE PARALLEL	WIRELESS BLUETOOTH	95	5741109032	2,849
LED 3000K 51W	4828	Dark Aluminium Raw	I	MICRO PRISMATIC	BLK PL	DOUBLE	DALI	95	5741104875	2,393
LED 3000K 51W	4828	Dark Aluminium Raw	I	MICRO PRISMATIC	BLK PL	DOUBLE	WIRELESS BLUETOOTH	95	5741104752	2,849
LED 3000K 51W	4870	Dark Aluminium Raw	I	OPAL	BLK PL	DOUBLE	DALI	95	5741104804	2,393
LED 3000K 51W	4870	Dark Aluminium Raw	I	OPAL	BLK PL	DOUBLE	WIRELESS BLUETOOTH	95	5741104891	2,849
LED 3000K 51W	5051	White		MICRO PRISMATIC	WHT PL	SUSP DOUBLE PARALLEL	DALI	99	5741108994	2,393
LED 3000K 51W	5316	White		OPAL	WHT PL	SUSP DOUBLE PARALLEL	DALI	104	5741108923	2,393
LED 3000K 51W	5316	White		OPAL	WHT PL	SUSP DOUBLE PARALLEL	WIRELESS BLUETOOTH	104	5741108965	2,849
LED 3000K 51W	5051	White	I	MICRO PRISMATIC	WHT PL	DOUBLE	DALI	99	5741104859	2,393
LED 3000K 51W	5051	White	I	MICRO PRISMATIC	WHT PL	DOUBLE	WIRELESS BLUETOOTH	99	5741104684	2,849
LED 3000K 51W	5316	White	I	OPAL	WHT PL	DOUBLE	DALI	104	5741104781	2,393
LED 3000K 51W	5316	White	I	OPAL	WHT PL	DOUBLE	WIRELESS BLUETOOTH	104	5741104820	2,849
LED 4000K 34W	3367	White	I	MICRO PRISMATIC	WHT PL	SINGLE	DALI	99	5741104749	1,416

Light source	Lumen	Finish	Class	Shield/Diffuser	Cable type	Mounting	Lighting control	Efficacy	Order-no.	RRP €
LED 4000K 34W	3367	White	I	MICRO PRISMATIC	WHT PL	SINGLE	WIRELESS BLUETOOTH	99	5741105476	1,612
LED 4000K 34W	3543	White	I	OPAL	WHT PL	SINGLE	DALI	104	5741104671	1,416
LED 4000K 34W	3543	White	I	OPAL	WHT PL	SINGLE	WIRELESS BLUETOOTH	104	5741105421	1,612
LED 4000K 47W	4493	White	I	MICRO PRISMATIC	WHT PL	SINGLE	DALI HIGH OUTPUT	96	5741105557	1,514
LED 4000K 47W	4493	White	I	MICRO PRISMATIC	WHT PL	SINGLE	WIRELESS BLUETOOTH HO	96	5741105612	1,710
LED 4000K 47W	4805	White	I	OPAL	WHT PL	SINGLE	DALI HIGH OUTPUT	102	5741105528	1,514
LED 4000K 47W	4805	White	I	OPAL	WHT PL	SINGLE	WIRELESS BLUETOOTH HO	102	5741105586	1,710
LED 4000K 51W	5180	White		MICRO PRISMATIC	BLK PL	SUSP DOUBLE PARALLEL	DALI	102	5741109029	2,393
LED 4000K 51W	5180	White		MICRO PRISMATIC	BLK PL	SUSP DOUBLE PARALLEL	WIRELESS BLUETOOTH	102	5741108910	2,849
LED 4000K 51W	5452	White		MICRO PRISMATIC	BLK PL	SUSP DOUBLE PARALLEL	DALI	107	5741108952	2,393
LED 4000K 51W	5452	White		OPAL	BLK PL	SUSP DOUBLE PARALLEL	WIRELESS BLUETOOTH	107	5741109045	2,849
LED 4000K 51W	5180	White	I	MICRO PRISMATIC	WHT PL	DOUBLE	DALI	102	5741104888	2,393
LED 4000K 51W	5180	White	I	MICRO PRISMATIC	WHT PL	DOUBLE	WIRELESS BLUETOOTH	102	5741104765	2,849
LED 4000K 51W	5452	White	I	OPAL	WHT PL	DOUBLE	DALI	107	5741104817	2,393
LED 4000K 51W	5452	White	I	OPAL	WHT PL	DOUBLE	WIRELESS BLUETOOTH	107	5741104901	2,849
LED KELVIN ADJUSTABLE	4707	White		MICRO PRISMATIC	WHT PL	SUSP DOUBLE PARALLEL	DALI	92	5741109058	2,849
LED KELVIN ADJUSTABLE	4707	White		MICRO PRISMATIC	WHT PL	SINGLE	WIRELESS BLUETOOTH	92	5741109074	3,337
LED KELVIN ADJUSTABLE	4954	White		OPAL	WHT PL	SINGLE	DALI	97	5741108981	2,849
LED KELVIN ADJUSTABLE	4954	White		OPAL	WHT PL	SUSP DOUBLE PARALLEL	WIRELESS BLUETOOTH	97	5741109061	3,337
LED KELVIN ADJUSTABLE	4083	White	I	MICRO PRISMATIC	WHT PL	SINGLE	DALI HIGH OUTPUT	87	5741105560	1,710
LED KELVIN ADJUSTABLE	4083	White	I	MICRO PRISMATIC	WHT PL	SINGLE	WIRELESS BLUETOOTH HO	87	5741105625	1,872
LED KELVIN ADJUSTABLE	3059	White	I	MICRO PRISMATIC	WHT PL	SINGLE	DALI	90	5741104778	1,612
LED KELVIN ADJUSTABLE	3059	White	I	MICRO PRISMATIC	WHT PL	SINGLE	WIRELESS BLUETOOTH	90	5741105489	1,775
LED KELVIN ADJUSTABLE	4707	White	I	MICRO PRISMATIC	WHT PL	DOUBLE	DALI	92	5741104914	2,849
LED KELVIN ADJUSTABLE	3059	White	I	OPAL	WHT PL	SINGLE	WIRELESS BLUETOOTH	90	5741105434	1,775
LED KELVIN ADJUSTABLE	4366	White	I	OPAL	WHT PL	SINGLE	DALI HIGH OUTPUT	93	5741105531	1,710
LED KELVIN ADJUSTABLE	4366	White	I	OPAL	WHT PL	SINGLE	WIRELESS BLUETOOTH HO	93	5741105599	1,872
LED KELVIN ADJUSTABLE	3220	White	I	OPAL	WHT PL	SINGLE	DALI	95	5741104707	1,612
LED KELVIN ADJUSTABLE	4954	White	I	OPAL	WHT PL	DOUBLE	DALI	97	5741104846	2,849
LED KELVIN ADJUSTABLE	4954	White	I	OPAL	WHT PL	DOUBLE	WIRELESS BLUETOOTH	97	5741105492	3,337

Please contact Louis Poulsen for 4000K or Kelvin Adjustable in additional finishes.

# LP Slim Round Suspended

## Pendants

Design: Louis Poulsen A/S

**Concept:** The slim housing encircles a high-efficient acrylic diffuser emitting diffused primarily downward directed light. The slim body has a slight curvature and an inner curve which reduces contrast. The product family comes in a range of sizes and mounting options for a wide range of applications. Surface mounted and suspended versions have an indirect light component.

**Finish:** White or black, powder coated or clear lacquered, pickled aluminium.

**Material:** Reflector: Die cast aluminium. Diffuser: Acrylic, opal. Installation lock: Aluminium.

**Mounting:** Suspension: Cord 2x0.75 mm<sup>2</sup>, 5m. Driver integrated in canopy.

**Weight:** Max 9.6kg

**Class:** Ingress protection IP20. Electric shock protection I.



Dimensions	Light source	Lumen	Finish	Class	Shield/Diffuser	Cable type	Mounting	Lighting control	Efficacy	Order-no.	RRP €
Ø 250	LED 3000K 13W	1092	Black	I	OPAL	BLK PL	SUSPENDED	DALI	84	5741099566	933
Ø 250	LED 3000K 13W	1092	Dark Aluminium Raw	I	OPAL	BLK PL	SUSPENDED	DALI	84	5741102482	933
Ø 250	LED 3000K 13W	1254	White	I	OPAL	WHT PL	SUSPENDED	DALI	96	5741099537	933
Ø 250	LED 4000K 13W	1279	White	I	OPAL	WHT PL	SUSPENDED	DALI	98	5741099540	933
Ø 250	LED KELVIN ADJUSTABLE	1232	White	I	OPAL	WHT PL	SUSPENDED	DALI KELVIN ADJUSTABLE	77	5741099553	1,040
Ø 440	LED 3000K 25W	2404	Black	I	OPAL	BLK PL	SUSPENDED	DALI	96	5741099621	1,434
Ø 440	LED 3000K 25W	2404	Dark Aluminium Raw	I	OPAL	BLK PL	SUSPENDED	DALI	96	5741102495	1,434
Ø 440	LED 3000K 25W	2659	White	I	OPAL	WHT PL	SUSPENDED	DALI	106	5741099595	1,434
Ø 440	LED 4000K 25W	2714	White	I	OPAL	WHT PL	SUSPENDED	DALI	109	5741099605	1,434
Ø 440	LED KELVIN ADJUSTABLE	2499	White	I	OPAL	WHT PL	SUSPENDED	DALI KELVIN ADJUSTABLE	93	5741099618	1,541
Ø 680	LED 3000K 53W	5861	Black	I	OPAL	BLK PL	SUSPENDED	DALI	111	5741099689	2,487
Ø 680	LED 3000K 53W	5861	Dark Aluminium Raw	I	OPAL	BLK PL	SUSPENDED	DALI	111	5741102505	2,487
Ø 680	LED 3000K 53W	6263	White	I	OPAL	WHT PL	SUSPENDED	DALI	118	5741099650	2,487
Ø 680	LED 4000K 53W	6389	White	I	OPAL	WHT PL	SUSPENDED	DALI	121	5741099663	2,487

### Sparepart

Slim Round Ø250 diffuser opal	5742584737	134
Slim Round Ø250 replacement kit LED 3K90	5741087963	147
Slim Round Ø250 replacement kit LED 4K90	5741087976	147
Slim Round Ø250 replacement kit LED KA90	5741088344	172
Slim Round Ø440 diffuser opal	5742584740	172
Slim Round Ø680 diffuser opal	5742584627	186
Slim Round Ø440 replacement kit LED 3K90	5741087989	310
Slim Round Ø440 replacement kit LED 4K90	5741087992	310
Slim Round Ø440 replacement kit LED KA90	5741088357	344
Slim Round Ø680 replacement kit LED KA90	5741088360	966
Slim Round Ø680 susp replacement kit LED 3K90	5741088373	966
Slim Round Ø680 susp replacement kit LED 4K90	5741088386	966

Please contact Louis Poulsen for 4000K or Kelvin Adjustable in additional finishes.

# Moser

## Pendants

**Design:** Anu Moser

**Concept:** The fixture emits diffused light and the thickness of the glass results in very comfortable light distribution.

**Finish:** Matt white opal glass.

**Material:** Suspension: Polished aluminium. Shade: Mouth-blown matt white opal glass.

**Mounting:** Suspension type: Cable 2x0,75mm<sup>2</sup>. Canopy: Yes. Cable length: 3m.

**Weight:** Max. 2.5kg.

**Class:** Ingress protection IP20. Electric shock protection II w/o ground.

**Info notes:** Ø 185 and Ø 205 use the same suspension.



Dimensions	Light source	Finish	Class	Cable type	Order-no.	RRP €
Ø 185	1x40W E27	Matt White Opal Glass	II	WHT PL W/GREY STOCKING	5741086249	584
Ø 205	1x40W E27	Matt White Opal Glass	II	WHT PL W/GREY STOCKING	5741086278	665
Ø 250	1x60W E27	Matt White Opal Glass	II	WHT PL W/GREY STOCKING	5741086304	713
<b>Sparepart</b>						
Canopy Black 2-part tophat®					5749329021	27
Moser Pendant gaskets for glass(1 set)					5741087714	32
Moser Ø185 spare glass matt opal					5741086359	479
Moser Ø205 glass matt opal					5741086388	558
Moser Ø250 glass matt opal					5741086414	621

# OE Quasi Light

## Pendants

**Design:** Olafur Eliasson

**Concept:** The pendant has 12 LEDs embedded in the inner vertices of the geometric frame that are connected to light guides along the inner edges, creating an even illumination towards the reflector in the centre of the lamp. This layered white reflector emits the light spherically back into the room, resulting in a glare-free uniform light.

**Finish:** Clear lacquered, pickled aluminium. Matt white reflector.

**Material:** Frame: Aluminum. Reflector: Injection molded polycarbonate

**Mounting:** Cable type: 4x0,75mm<sup>2</sup> with wire. Canopy: Yes. LED driver built into the canopy. Cable length: 4m.

**Weight:** Max. 22 kg.

**Class:** Ingress protection IP20. Electric shock protection I w. ground.



Dimensions	Light source	Lumen	Finish	Class	Lighting control	Efficacy	Order-no.	RRP €
Ø 900	LED 2700K 118W	2950	Dark Aluminium	I	DALI	25	5741101315	17,033
Ø 900	LED 2700K 118W	2950	Dark Aluminium	I	WIRELESS BLUETOOTH	25	5741101331	17,033
Ø 900	LED 3000K 118W	3085	Dark Aluminium	I	DALI	26	5741101328	17,033
Ø 900	LED 3000K 118W	3085	Dark Aluminium	I	WIRELESS BLUETOOTH	26	5741101344	17,033
<b>Sparepart</b>								
OE Quasi LED replacement 12 UNITS 27K							5741102181	2,403
OE Quasi LED replacement 12 UNITS 3K							5741102194	2,403
OE Quasi LED replacement 1 UNIT 27K							5741102165	230
OE Quasi LED replacement 1 UNIT 3K							5741102178	230



# Patera

## Pendants

Design: Øivind Slaatto

**Concept:** The pendant is a glowing sphere built up of small diamond-shaped cells. Each cell is carefully designed to capture light and to shield the light source from the viewing angles above 45 degrees. Each cell glows. Below 45 degrees, the fields are open to direct light downwards. A small amount of light is also sent upwards to illuminate the ceiling.

**Finish:** White, matt coated.

**Material:** Shade: Cut matt PVC.  
E27: Matt-chromed brass and die cast acrylic.  
LED: Matt white.

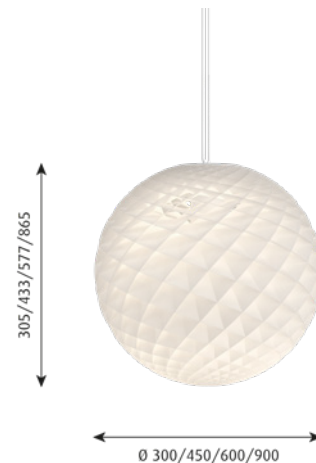
**Mounting:** E27:  
Ø300: Cable 2x0,75mm<sup>2</sup>.  
Ø450/Ø600: Cable 2x1.0 mm<sup>2</sup>.  
Ø900: Cable 3x1mm<sup>2</sup> and wire.  
Cord length: 4m.  
Canopy: Yes.

**LED:**  
Ø450/Ø600/900: Cable 2x0.75mm<sup>2</sup> and wire.  
Cord length: 4m.  
Canopy contains driver.

**Weight:** E27: Max. 7,1 kg. LED: Max. 12,1 kg

**Class:** Ingress protection IP20. Electric shock protection I w. Ground, E27 Ø300/Ø480/Ø600 E27 II w/o ground.

**Info notes:** For LED replacement kits please do contact Louis Poulsen. The innovation of the LED technology is constant. The specifications mentioned are based on present technology.



Dimensions	Light source	Lumen	Finish	Class	Lighting control	Efficacy	Order-no.	RRP €
Ø 300	1x40W E27		White	II			5741104545	1,054
Ø 450	1x60W E27		White	II			5741099003	1,297
Ø 450	LED 2700K 42W	2428	White	I	DALI	58	5741105191	1,884
Ø 450	LED 3000K 42W	2525	White	I	DALI	60	5741105201	1,884
Ø 600	1x100W E27		White	II			5741096941	1,995
Ø 600	LED 2700K 65W	4206	White	I	DALI	65	5741100028	3,206
Ø 600	LED 2700K 65W	4206	White	I	WIRELESS BLUETOOTH	65	5741100057	3,385
Ø 600	LED 3000K 65W	4272	White	I	DALI	66	5741481297	3,206
Ø 600	LED 3000K 65W	4272	White	I	WIRELESS BLUETOOTH	66	5741481695	3,385
Ø 900	1x100W E27		White	I			5741099977	4,380
Ø 900	LED 2700K 96W	5472	White	I	DALI	57	5741100099	5,876
Ø 900	LED 2700K 96W	5472	White	I	WIRELESS BLUETOOTH	57	5741100109	6,060
Ø 900	LED 3000K 96W	5689	White	I	DALI	59	5741481792	5,876
Ø 900	LED 3000K 96W	5689	White	I	WIRELESS BLUETOOTH	59	5741481789	6,060

### Sparepart

PATERA 300 SUSP MAX 40W E27 II WHT	5741106750	211
Canopy White 2-part tophat ©	5749329034	27
Patera Ø600 replacement kit LED 3K90	5741097270	430
Patera Ø900 replacement kit LED 3K90	5741097694	430
Patera Ø900 replacement kit LED 27K90 V2	5741100031	430
Patera Ø600 replacement kit LED 27K90 V2	5741100112	430
PATERA 300 SUSP MAX 40W E27 II WHT AU	5741939804	Contact LP
PATERA 300 SUSP MAX 40W E27 II WHT CN	5741939817	Contact LP

### Suspension

PATERA 600 SUSP 27K90 LED-DA V2	5741100073	1,586
PATERA 600 SUSP 3K90 LED-DA	5741481750	1,586
PATERA 600 SUSP 27K90 LED-WB V2	5741100086	1,767
PATERA 600 SUSP 3K90 LED-WB	5741481763	1,767

**Suspension**

PATERA 900 SUSP LED-DA 27K90 V2	5741100044	1,917
PATERA 900 SUSP LED-DA 3K90	5741481776	1,917
PATERA 900 SUSP LED-WB 27K90 V2	5741100060	2,098
PATERA 900 SUSP LED-WB 3K90	5741481802	2,098
PATERA 450 SUSP MAX 60W E27 CL.II	5741099207	291
PATERA 600 SUSP MAX 100W CL.II E27	5741099139	403
PATERA 900 SUSP 100W E27 CL.I	5741099964	418

# Patera Oval

## Pendants

Design: Øivind Slaatto

**Concept:** The pendant is a glowing ellipsoid made up of diamond-shaped cells. Each cell has been carefully designed to capture light and to conceal the light source from viewing angles above 40 degrees. Below 40 degrees the lamp allows direct, downward light. The round opening underneath provides direct light with a soft transition towards the reflected light. The pendant can be used with or without a diffuser plate, depending on whether the view of the light source creates an unwanted glare or not.

**Finish:** White, matt.

**Material:** Shade: Cut matt PVC foil. Frame: White, opal, matt coated, Injection moulded polycarbonate.

Suspension E-socket: White, opal, matt coated, Injection moulded polycarbonate.

Suspension LED: Matt white, Die cast aluminum

Diffuser plate: Injection moulded polycarbonate.

**Mounting:** Cable: White textile, 2 x 0.75mm<sup>2</sup>.

Canopy: Yes. LED: Canopy contains driver.

Cable length: 4 m.

**Class:** Ingress protection IP20. Electric shock protection I w. Ground (LED).

Electric shock protection II. w/o ground (E-socket).

**Info notes:** Diffuser plate for bottom opening included.



Dimensions	Light source	Lumen	Finish	Cable type	Lighting control	Efficacy	Order-no.	RRP €
Ø 500	1x40W E27		White Matt	WHT TEX			5741105939	1,346
Ø 500	LED 2700K 41W	2553	White Matt	WHT TEX	DALI	62	5741105942	1,787
Ø 500	LED 3000K 41W	2656	White Matt	WHT TEX	DALI	65	5741105955	1,787
<b>Sparepart</b>								
Canopy White 2-part tophat ©							5749329034	27
Bottom diffuser Patera oval 500							5741106019	83

# PH 2/1 Pendant

## Pendants

**Design:** Poul Henningsen

**Concept:** The fixture is designed based on the principle of a reflective three-shade system, which directs the majority of the light downwards. The shades are made of mouth-blown opal three-layer glass, which is glossy on top and sandblasted matt on the underside, giving a soft and uniform light distribution.

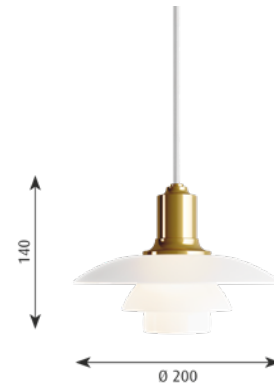
**Finish:** Brass metallised, black metallised or high lustre chrome plated. White opal glass.

**Material:** Shades: Mouth-blown white opal glass. Suspension: Brass metallised, black metallised or high lustre chrome plated, spun aluminium.

**Mounting:** Suspension type: Cable 2x0,75mm<sup>2</sup>. Canopy: Yes. Cable length: 3m.

**Weight:** Max. 1.5kg.

**Class:** Ingress protection IP20. Electric shock protection II w/o ground.



Light source	Finish	Class	Cable type	Order-no.	RRP €
1x20W E14	Black Metallised	II	BLK TEX	5741099252	811
1x20W E14	Brass Metallised	II	WHT TEX	5741100125	811
1x20W E14	High Lustre Chrome Plated	II	BLK TEX	5741084908	778
<b>Sparepart</b>					
PH 2-1, lower shade glass				5741084953	211
PH 2-1, middle shade glass				5741084940	236
Canopy Black 2-part tophat®				5749329021	27
Canopy White 2-part tophat ®				5749329034	27
PH 2-1, top shade glass Pendant				5741084898	376
PH 2-1, springholder w/springs				5741086333	56

# PH 2/1 Stem Fitting

## Pendants

Design: Poul Henningsen

**Concept:** The fixture is designed based on the principle of a reflective three-shade system, which directs the majority of the light downwards. The shades are made of mouth-blown opal three-layer glass, which is glossy on the top and sandblasted matt on the underside, giving a soft and diffused light distribution.

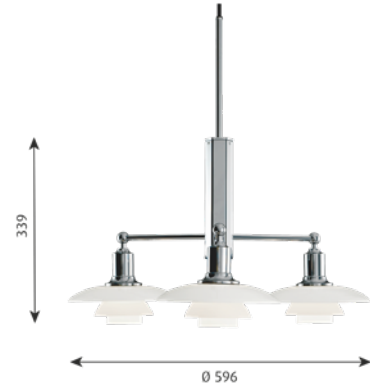
**Finish:** High lustre chrome plated. White opal glass.

**Material:** Shades: Mouth-blown white opal glass. Body: High lustre chrome plated, brass. Socket cover: High lustre chrome plated, spun aluminium.

**Mounting:** Suspension type: Cable 2x0,75mm<sup>2</sup>. Canopy: Yes. Cable length: 3,5m.

**Weight:** Max. 3.5kg.

**Class:** Ingress protection IP20. Electric shock protection II w/o ground.



Light source	Finish	Class	Cable type	Order-no.	RRP €
3x20W E14	High Lustre Chrome Plated	II	BLK TEX	5741087154	2,725
<b>Sparepart</b>					
PH 2-1, lower shade glass				5741084953	211
Canopy classic polished chrome plated V2				5741481721	232
PH 2-1, middle shade glass				5741084940	236
PH 2-1, top shade glass Table/Wall				5741084937	376
PH 2-1, glassbom.topshade w/bal.ring				5741084885	390
PH 2-1, springholder w/springs				5741086333	56

# PH 3/2 Academy

## Pendants

**Design:** Poul Henningsen

**Concept:** The three lights on the fixture are designed based on the principle of a reflective threeshade system which directs the majority of the light downwards. The shades are made of mouth-blown opal three-layer glass, which is glossy on the top and sandblasted matt on the inside, giving a soft and diffused light distribution.

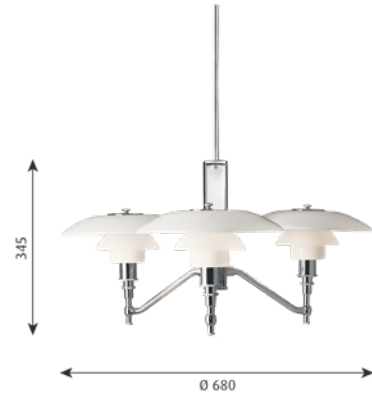
**Finish:** High lustre chrome plated. White opal glass.

**Material:** Shades: Mouth-blown white opal glass. Frame: High lustre chrome plated, extruded brass. Suspension: High lustre chrome plated, extruded brass.

**Mounting:** Suspension type: Cable 2x0,75mm<sup>2</sup>. Canopy: Yes. Cable length: 4m.

**Weight:** Max. 6kg.

**Class:** Ingress protection IP20. Electric shock protection II w/o ground.



Light source	Finish	Class	Cable type	Order-no.	RRP €
3x40W 3x40W E14	High Lustre Chrome Plated	II	BLK TEX	5741084869	4,542
<b>Sparepart</b>					
PH 3-2, lower shade glass				5741481608	215
Canopy chrome Academy PH 44230				5741481734	232
PH 3-2, middle shade glass				5741481598	261
PH 3-2, Academy top shade glass				5741481682	406

# PH 3/2 Pendant

## Pendants

**Design:** Poul Henningsen

**Concept:** The fixture is designed based on the principle of a reflective three-shade system, which directs the majority of the light downwards. The shades are made of mouth-blown opal three-layer glass, which is glossy on top and sandblasted matt on the underside, giving a soft and uniform light distribution.

**Finish:** Brass metallised, black metallised or high lustre chrome plated. White opal glass.

**Material:** Shades: Mouth-blown white opal glass. Suspension: Brass metallised, black metallised or high lustre chrome plated, brass.

**Mounting:** Suspension type: Cable 3x0,75mm<sup>2</sup>. Canopy: Yes. Cable length: 3m.

**Weight:** Max. 1.5kg.

**Class:** Ingress protection IP20. Electric shock protection I w. ground.



Light source	Finish	Class	Cable type	Order-no.	RRP €
1x75W E27	Black Metallised	I	BLK TEX	5741097526	1,087
1x75W E27	Brass Metallised	I	WHT TEX	5741100138	1,087
1x75W E27	High Lustre Chrome Plated	I	BLK TEX	5741097513	1,014
<b>Sparepart</b>					
PH 3-2, lower shade glass				5741481608	215
PH 3-2, middle shade glass				5741481598	261
Canopy Black 2-part tophat®				5749329021	27
Canopy White 2-part tophat ®				5749329034	27
PH 3-2, Pendant top shade glass				5741085091	406
PH 3-2, suspension chrome V2				5741097539	443
PH 3-2, suspension 75W E27 black PVD V2				5741097568	490
PH 3-2, susp 75W E27 brass PVD V2				5741100154	490
Finger screw MCP M3X11 (3pcs) lower				5744611158	9

# PH 3/3 Pendant

## Pendants

**Design:** Poul Henningsen

**Concept:** The fixture emits a diffused and comfortable glare-free light, characteristic of the reflective three-shade-system by Poul Henningsen. The fixture is available with white opal glass or soft touch black painted metal with a white inner side. The translucent shades in three-layered mouth blown opal glass create a warm glow around the pendant, where the metal shades with the white painted inner sides reflect a fine and primarily downward directed light. The combination of a metal top shade and opal glass middle and lower shades provides both. The included diffuser in frosted glass is easy to insert for an even softer light distribution.

**Finish:** Shades: White opal glass or soft touch black painted with white inner side. Suspension: Matt black, powder coated. Canopy: Matt black, powder coated.

**Material:** Shades: Mouth-blown white opal glass or spun aluminium.  
Bottom diffuser: Frosted glass.  
Suspension: Aluminium.  
Canopy: Aluminium.

**Mounting:** Suspension type: Black textile cable 2x0,75mm<sup>2</sup>. Cable length: 4m.

**Canopy:** Yes. Specially designed matt black painted canopy.

**Height adjustment of light source approx.** 25mm depending on light source used.

**Weight:** Max. 2,3 kg.

**Class:** Ingress protection IP20. Electric shock protection II w/o ground.

**Info notes:** Frosted glass bottom diffuser to ensure a diffuse light distribution.



Light source	Finish	Class	Shade	Cable type	Order-no.	RRP €
1x60W E27	Metal Black	II	METAL BLACK	BLK TEX	5741109265	1,283
1x60W E27	Metal Black/Opal Glass	II	METAL BLACK/GLASS	BLK TEX	5741109278	1,315
1x60W E27	White Opal Glass	II	Glass	BLK TEX	5741109252	1,332
<b>Sparepart</b>						
PH 3-3/PH 5-5 PENDANT CANOPY V2					5741109498	159
PH 3-3 PENDANT LOWER SHADE U3 BLK METAL					5741106608	307
PH 3½-3 lower shade glass					5741094781	340
PH 3-3 PENDANT UPPER SHADE O3 BLK METAL					5741106585	388
PH 3-3 PENDANT MIDDLE SHADE M3 BLK METAL					5741106598	388
PH 3-2, Pendant top shade glass					5741085091	406
PH 3-3 PENDANT MIDDLE SHADE M3 GLASS					5741106572	423
PH 3-3 PENDANT BOTTOM DIFFUSER GLASS					5741106637	81



# PH 3½-3 Glass Pendant

## Pendants

**Design:** Poul Henningsen

**Concept:** The fixture is designed based on the principle of a reflective three-shade system, which directs the majority of the light downwards. The shades are made of mouth-blown opal three-layer glass, which is glossy on top and sandblasted matt on the underside, giving a soft and uniform light distribution.

**Finish:** Brass metallised, black metallised or high lustre chrome plated. White opal glass.

**Material:** Shades: Mouth-blown white opal glass. Suspension: Brass metallised, black metallised or high lustre chrome plated, brass.

**Mounting:** Suspension type: Cable 2x0,75mm<sup>2</sup>. Canopy: Yes. Cable length: 3m.

**Weight:** Max. 2.2kg.

**Class:** Ingress protection IP20. Electric shock protection II w/o ground.



Light source	Finish	Class	Cable type	Order-no.	RRP €
1x70W E27	Black Metallised	II	BLK TEX	5741099265	1,654
1x70W E27	Brass Metallised	II	WHT TEX	5741100141	1,654
1x70W E27	High Lustre Chrome Plated	II	BLK TEX	5741099278	1,573
<b>Sparepart</b>					
Finger screw MCP M4X15 (3pcs) lower				5744611145	19
Canopy Black 2-part tophat®				5749329021	27
Canopy White 2-part tophat®				5749329034	27
PH 3½-3 lower shade glass				5741094781	340
PH 3½-3 lower shade amber glass				5741099731	421
PH 3½-3 middle shade glass				5741094794	434
PH 3½-3 middle shade amber glass				5741099728	528
PH 3½-3 Pendant top shade glass				5741099346	542
PH 3½-3 amber coloured top shade glass				5741099715	632

# PH 3½-3 Pendant

## Pendants

**Design:** Poul Henningsen

**Concept:** The fixture is 100% glare-free, with a design based on the principle of a reflective three-shade system, which directs most of the light downwards. The shades are made of deepdrawn aluminium with white inner surface that ensures gentle, downward light distribution. The downward light is both soft and pleasant.

**Finish:** Red, green, yellow and white, powder coated

**Material:** Shade: Deepdrawn aluminium, suspension: silk matt brown, copper.

**Mounting:** Suspension type: Cable 2x0,75mm<sup>2</sup>. Canopy: Yes. Cable length: 3m.

**Weight:** Max. 1,3 kg.

**Class:** Ingress protection IP20. Electric shock protection Cl. II.



Light source	Finish	Class	Cable type	Order-no.	RRP €
1x70W E27	Green	II	WHT TEX	5741094833	1,362
1x70W E27	Red	II	WHT TEX	5741094820	1,362
1x70W E27	White	II	WHT TEX	5741094846	1,362
1x70W E27	Yellow	II	WHT TEX	5741094817	1,362
<b>Sparepart</b>					
Finger screw MCP M4X15 (3pcs) lower				5744611145	19
PH 3½-3 lower shade red				5741095450	216
PH 3½-3 lower shade green				5741095489	216
PH 3½-3 lower shade white				5741095515	216
PH 3½-3 lower shade yellow				5741095544	216
Canopy White 2-part tophat ©				5749329034	27
PH 3½-3 100W E27 silk matt brown suspens.				5741095395	273
PH 3½-3 middle shade red				5741095447	280
PH 3½-3 middle shade green				5741095476	280
PH 3½-3 middle shade white				5741095502	280
PH 3½-3 middle shade yellow				5741095531	280
PH 3½-3 silk matt brown shadeholder				5741095405	287
PH 3½-3 silk matt brown 2xlock screw cover				5741095421	35
PH 3½ top shade red				5741095434	410
PH 3½ top shade green				5741095463	410
PH 3½ top shade white				5741095492	410
PH 3½ top shade yellow				5741095528	410
PH 3½-3 silk matt brown 3 x shade screws				5741095418	62

# PH 4/3 Pendant

## Pendants

Design: Poul Henningsen

**Concept:** The fixture is designed based on the principle of a reflective three-shade system, which directs the majority of the light downwards. The shades are made of metal and painted white to ensure uniform, comfortable light distribution.

**Finish:** White, powder coated.

**Material:** Shades: Spun aluminium. Anti-glare disc: White, spun aluminium.

**Mounting:** Suspension type: Cable 3x0,75mm<sup>2</sup>. Canopy: Yes. Cable length: 3m.

**Weight:** Max. 1kg.

**Class:** Ingress protection IP20. Electric shock protection I w. ground.



Light source	Finish	Class	Cable type	Order-no.	RRP €
1x60W E27	White	I	WHT TEX	5741087549	762
<b>Sparepart</b>					
Canopy White 2-part tophat ©				5749329034	27
Bearing plate 18/56 F/Standard susp.				5741481190	28
PH 4-3, cover plate white				5741086841	41
PH 4-3, cover plate white new				5741087552	41
PH 4-3, cover plate orange f/old version				5741480997	41

# PH 4½-4 Glass Pendant

## Pendants

**Design:** Poul Henningsen

**Concept:** The fixture is designed based on the principle of a reflective three-shade system, which directs the majority of the light downwards. The shades are made of mouth-blown opal three-layer glass, which is glossy on top and sandblasted matt on the underside, giving a soft and uniform light distribution.

**Finish:** High lustre chrome plated. White opal glass.

**Material:** Shades: Mouth-blown matt white opal glass. Anti-glare disc: Purple, spun aluminium. Suspension: High lustre chrome plated, extruded aluminium.

**Mounting:** Suspension type: Cable 3x0,75mm<sup>2</sup> & wire. Canopy: Yes. Cable length: 3m.

**Weight:** Max. 3.5kg.

**Class:** Ingress protection IP20. Electric shock protection I w. ground.



Light source	Finish	Class	Cable type	Order-no.	RRP €
1x70W E27	High Lustre Chrome Plated	I	BLK TEX/WIRE	5741086430	3,504
<b>Sparepart</b>					
PH 4½-4 glass Pendant top shade				5741481200	1,476
Canopy Black 2-part tophat®				5749329021	27
PH 4½-4 glass Pendant lower bowl				5741481239	415
PH 4½-4 glass Pendant lower shade				5741481226	611
PH 4½-4 glass Pendant middle shade				5741481213	840
Finger screw SS M3X12 (3pcs) lower				5744610528	9
Finger screw MCP M3X11 (3pcs) lower				5744611158	9

# PH 5

## Pendants

**Design:** Poul Henningsen

**Concept:** The fixture provides a comfortable, glare-free light, based on the principle of Poul Henningsen's reflective three-shade system, which directs the majority of the light downwards. It emits a lateral light as well as illuminating itself, providing a soft radiance from within its core. The lower shade is furthermore fitted with a frosted diffuser glass to ensure that the downward directed light is 100% glare-free.

**Finish:** White Classic or White Modern: Matt powder coated.

Monochrome Pale Rose, Monochrome Oyster Grey, Monochrome Black, Monochrome Blue or Monochrome White: Matt, wet painted.

Pastels Oyster Blue Rose or Pastels Blue Rose Peach: Matt wet painted.

Hues of Blue, Hues of Green, Hues of Grey, Hues of Orange, Hues of Red, Hues of Rose: Matt wet painted.

Metal variants: Polished Brass or Copper: Matt, powder coated.

Please note that the copper and brass surface is untreated. This means that the surface will change over time and develop a patina.

**Material:** Lower shade: Spun steel.  
Other shades and anti-glare disc: Spun aluminium, spun copper or spun brass.  
Struts: Rolled aluminium.  
Diffuser: Frosted glass.

**Mounting:** Suspension type: Cable 2x1mm<sup>2</sup>. Canopy: Yes. Cable length: 3m.

**Weight:** Max. 2.5 kg.

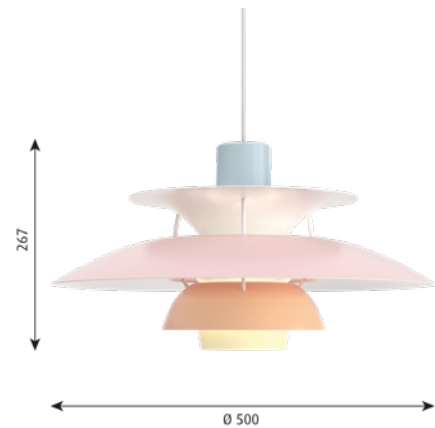
**Class:** Ingress protection IP20. Electric shock protection II w/o ground.

**Info notes:** Colour of anti-glare disc:  
Blue: White Classic, Monochrome Blue and Hues of Orange.  
Green: Hues of Red and Hues of Rose.  
Red: Hues of Green and Hues of Blue.  
Rose: Pastel Blue Rose Peach, Hues of Grey and White Modern.  
Peach: Pastel Oyster Blue Rose.  
Same colour/material as main shade on Monochrome and Metal variants.

Colour of struts:  
Purple: White Classic.  
Bronze coloured: White Modern and Hues of colours.  
White: Copper, Brass and Pastels.  
Same colour as main shade on Monochrome variants.

Cable and canopy: Monochrome Black: Black cable and canopy.  
All others: White cable and canopy.

Please note that the copper and brass surface is untreated. This means that the surface will change over time and develop a patina. This process may have already begun when the product is delivered.



Light source	Finish	Class	Cable type	Order-no.	RRP €
1x75W E27	Brass	II	WHT TEX	5741099880	1,460
1x75W E27	Copper	II	WHT TEX	5741099854	1,460
1x75W E27	Hues of Blue	II	WHT TEX	5741099841	1,168
1x75W E27	Hues of Green	II	WHT TEX	5741099838	1,168
1x75W E27	Hues of Grey	II	WHT TEX	5741099809	1,168
1x75W E27	Hues of Orange	II	WHT TEX	5741099812	1,168
1x75W E27	Hues of Red	II	WHT TEX	5741099825	1,168
1x75W E27	Hues of Rose	II	WHT TEX	5741099799	1,168
1x75W E27	Monochrome Black	II	BLK TEX	5741104626	1,168
1x75W E27	Monochrome Blue	II	WHT TEX	5741104558	1,168
1x75W E27	Monochrome Oyster Grey	II	WHT TEX	5741113057	1,168
1x75W E27	Monochrome Pale Rose	II	WHT TEX	5741113044	1,168

Light source	Finish	Class	Cable type	Order-no.	RRP €
1x75W E27	Monochrome White	II	WHT TEX	5741104574	1,168
1x75W E27	Pastels Blue Rose Peach	II	WHT TEX	5741113060	1,168
1x75W E27	Pastels Oyster Blue Rose	II	WHT TEX	5741113073	1,168
1x75W E27	White Classic	II	WHT TEX	5741099870	1,168
1x75W E27	White Modern	II	WHT TEX	5741099867	1,168
<b>Sparepart</b>					
PH 5 electrical assembly				5741099948	142
Extension nipple f/stand. suspen				5741480670	21
Relief nipple white				5741481268	25
PH 5 PLUS/PH 50 glass disc				5741093300	27
PH 5 red/blue 100W inc bottom plate				5741481394	27
Canopy Black 2-part tophat®				5749329021	27
Canopy White 2-part tophat ®				5749329034	27
Bearing plate 10/56, t/standard susp.				5741480667	28
PH 5 (plus) white matt elec assemb				5741086443	280
PH 5 electrical assembly white f/old				5741086498	280
PH 5 (classic) spacers (1 SET)				5741093407	80
PH 50 spacers (1 set)				5741100015	80
PH 5 spacers painted bronze (1 set)				5741100235	80
PH 5 spacers painted white (1 set)				5741100248	80
PH 5 spacers monochrome white (1 set)				5741106093	80
PH 5 spacers monochrome blue (1 set)				5741106103	80
PH 5 spacers monochrome black (1 set)				5741106116	80

# PH 5 Mini

## Pendants

**Design:** Poul Henningsen

**Concept:** The fixture provides 100% glare-free light. Its design is based on the principle of a reflective three-shade system, which directs majority of the light downwards. The fixture emits both downward and lateral light, thus illuminating itself.

**Finish:** Classic (white) or Modern White: Matt powder coated.

Monochrome Black, Monochrome Blue, Monochrome White, Hues of Blue, Hues of Green, Hues of Grey, Hues of Orange, Hues of Red, Hues of Rose: Matt wet painted.

Metal versions: Polished brass or copper and white, matt powder coated. Please note that the copper and brass surface is untreated. This means that the surface will change over time and develop a patina.

**Material:** Shades and anti-glare disc: Spun aluminium, spun copper or spun brass. Struts: rolled aluminium.

**Mounting:** Suspension type: Cable 2x1mm<sup>2</sup>. Canopy: Yes. Cable length: 3m.

**Weight:** Max. 0.9 kg.

**Class:** Ingress protection IP20. Electric shock protection II w/o ground.

**Info notes:** Colour of anti-glare disc: Classic, Monochrome Blue and Hues of Orange: Blue. Hues of Red and Hues of Rose: Green. Hues of Green and Hues of Blue: Red. Hues of Grey and Modern White: Rose. Monochrome Black: Black. Monochrome White: White. Copper version: Copper. Brass version: Brass.

Colour of struts: Classic: Purple. Copper version, Brass version and Monochrome White: White. Monochrome Blue: Blue. Monochrome Black: Black. Modern White and Hues of colours: Bronze coloured.

Cable and canopy: Monochrome Black: Black cable and canopy. All others: White cable and canopy.

Please note that the copper and brass surface is untreated. This means that the surface will change over time and develop a patina. This process may have already begun when the product is delivered.



Light source	Finish	Class	Cable type	Order-no.	RRP €
1x20W E14	Brass	II	WHT TEX	5741099993	1,135
1x20W E14	Copper	II	WHT TEX	5741099883	1,135
1x20W E14	Hues of Blue	II	WHT TEX	5741095120	843
1x20W E14	Hues of Green	II	WHT TEX	5741095117	843
1x20W E14	Hues of Grey	II	WHT TEX	5741095133	843
1x20W E14	Hues of Orange	II	WHT TEX	5741095081	843
1x20W E14	Hues of Red	II	WHT TEX	5741095104	843
1x20W E14	Hues of Rose	II	WHT TEX	5741095094	843
1x20W E14	Monochrome Black	II	BLK TEX	5741104639	843
1x20W E14	Monochrome Blue	II	WHT TEX	5741104587	843
1x20W E14	Monochrome White	II	WHT TEX	5741104600	843
1x20W E14	White Classic	II	WHT TEX	5741095146	843
1x20W E14	White Modern	II	WHT TEX	5741095159	843
<b>Sparepart</b>					
PH 5 mini electrical assembly EU				5741093397	117
Canopy White 2-part tophat ©				5749329034	27

# PH 5/5 Pendant

## Pendants

**Design:** Poul Henningsen

**Concept:** The fixture emits a diffused and comfortable glare-free light, characteristic of the reflective three-shade-system by Poul Henningsen. The fixture is available with white opal glass or soft touch black painted metal with a white inner side. Where the metal shades with the white painted inner sides reflect a fine and primarily downward directed light, the metal top shade combined with translucent opal glass middle and lower shades in three-layered mouth blow opal glass create a warm glow around the pendant too. The included diffuser in frosted glass is easy to insert for an even softer light distribution.

**Finish:** Shades: White opal glass or soft touch black painted with white inner side. Suspension: Matt black, powder coated. Canopy: Matt black, powder coated.

**Material:** Shades: Mouth-blown white opal glass or spun aluminium.  
Bottom diffuser: Frosted glass.  
Suspension: ALuminium.  
LED version: Additional opal PC diffuser in front of LED.  
Canopy: ALuminium.

**Mounting:** Suspension type: Black textile cable 2x1,5mm<sup>2</sup>.  
Cable length: 4m.  
Canopy: Yes. Specially designed matt black painted canopy for E27.  
LED variants: Cannot be height adjusted.  
Height adjustment of light source approx. 65mm depending on light source used.

**Weight:** Max. 4,5 kg.

**Class:** Ingress protection IP20. Electric shock protection II w/o ground.

**Info notes:** Frosted glass bottom diffuser to ensure a diffuse light distribution.

The LED diffuser has integrated reflective shield in white ABS to achieve a more even light distribution on the shades (can be removed if more light downwards is needed).



Light source	Lumen	Finish	Class	Shade	Cable type	Lighting control	Efficacy	Order-no.	RRP €
1x70W E27		Metal Black	II	METAL BLACK	BLK TEX			5741109281	1,754
1x70W E27		Metal Black/Opal Glass	II	METAL BLACK/GLASS	BLK TEX			5741109294	1,925
LED 2700K 41W	1392	Metal Black	I	METAL BLACK	BLK TEX	PHASE DIMMING (MAINS DIMM)	34	5741109362	2,267
LED 2700K 41W	2208	Metal Black/Opal Glass	I	METAL BLACK/GLASS	BLK TEX	PHASE DIMMING (MAINS DIMM)	54	5741109375	2,436
LED 3000-1800K D2W 41W	1193	Metal Black	I	METAL BLACK	BLK TEX	WIRELESS BLUETOOTH	29	5741109427	2,267
LED 3000-1800K D2W 41W	1892	Metal Black/Opal Glass	I	METAL BLACK/GLASS	BLK TEX	WIRELESS BLUETOOTH	46	5741109430	2,436
LED 3000K 41W	1448	Metal Black	I	METAL BLACK	BLK TEX	DALI	35	5741109401	2,267
LED 3000K 41W	1448	Metal Black	I	METAL BLACK	BLK TEX	PHASE DIMMING (MAINS DIMM)	35	5741109388	2,267
LED 3000K 41W	2296	Metal Black/Opal Glass	I	METAL BLACK/GLASS	BLK TEX	DALI	56	5741109414	2,436
LED 3000K 41W	2296	Metal Black/Opal Glass	I	METAL BLACK/GLASS	BLK TEX	PHASE DIMMING (MAINS DIMM)	56	5741109391	2,436
<b>Sparepart</b>									
PH 5-5 PENDANT UPPER SHADE 05 BLK METAL								5741106666	1,054
PH 5-5 PEND LED REPL KIT 27K								5741108839	112
PH 5-5 PEND LED REPL KIT 3K								5741108842	112
PH 5-5 PEND LED REPL KIT D2W								5741108855	112
PH 5-5 PEND LED DIFFUSER SHIELD								5741106734	13
PH 3-3/PH 5-5 PENDANT CANOPY V2								5741109498	159
PH 5-5 PENDANT SHADEHOLDER BLK METAL								5741106695	170
PH 5-5 PENDANT SHADEHOLDER BLK METAL V2								5741109469	170
PH 5-5 PENDANT SHADEHOLDER LED BLK METAL								5741106705	187
PH 5-5 PENDANT SHADEHOLD LED BLK MET V2								5741109472	187
PH 5-5 PEND SHADE SCREW W NUT BLK (3PCS)								5741106718	44
PH 5-5 PEND SHADE SCREW W NUT BLK 3PC V2								5741109485	44
PH 5-5 PENDANT LOWER SHADE U5 BLK METAL								5741106682	566
PH 5-5 PENDANT LOWER SHADE U5 GLASS								5741106653	583
PH 5-5 PENDANT MIDDLE SHADE M5 BLK METAL								5741106679	801
PH 5-5 PENDANT MIDDLE SHADE M5 GLASS								5741106640	818
PH 5-5 PENDANT BOTTOM DIFFUSER GLASS								5741106721	90



# PH 5-4½ & PH 6½-6

## Pendants

Design: Poul Henningsen

**Concept:** The trumpet-shaped top shade on the fixture provides illumination of the area above the three shades, which primarily direct the light downwards. A base reflector and a blue glare ring protect against glare from all angles. The strongest light is directly under the fixture. The shades have a matt white painted finish to ensure very comfortable lighting.

**Finish:** White.

**Material:** Shades: Spun aluminium. Anti-glare disc: Blue, spun aluminium. Struts: Rolled aluminium coloured.

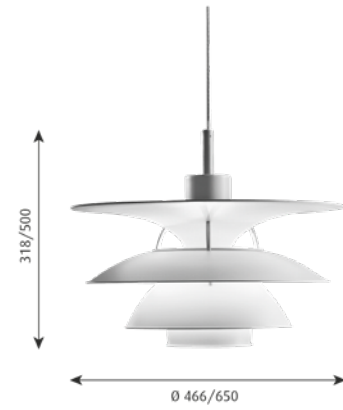
**Mounting:** PH 5-4½ (E27): Cable 3 x 0,75mm<sup>2</sup>. Canopy: Yes. Cable length: 3m. PH 5-4½ (LED): Cable 2 x 1,5mm<sup>2</sup>. Canopy: Yes. LED canopy contains driver. Cable length: 4m. PH 6½-6 (LED): Cable 2 x 1 mm<sup>2</sup> and wire. Canopy or external driver box contains driver. Cable length: 4m. Maximum distance between external driver box and fixture: 20m.

**Weight:** Max. 6kg.

**Class:** Ingress protection IP20. Electric shock protection I w. ground.

**Info notes:** PH 5-4½: LED Upgrade kit fits as standard PH 5-4½ E27 produced after 1983.

PH 6½-6: The LED insert fits as standard PH 6½-6 E27/E40 produced after 1999. For PH 6½-6 produced prior to 1999 you need a renovation kit which can be acquired as an accessory. Please note the LED insert does not fit variants produced with metal halide. For LED replacement kits please do contact Louis Poulsen.



Dimensions	Light source	Lumen	Finish	Class	Cable type	Lighting control	Plug	Efficacy	Order-no.	RRP €
5-4½	1x70W E27		White	I	WHT TEX				5741085868	3,131
5-4½	LED 3000-1800K D2W 41W	1446	White	I	WHT TEX	DALI		35	5741101690	3,626
5-4½	LED 3000-1800K D2W 41W	1446	White	I	WHT TEX	PHASE DIMMING (MANS DIMM)		35	5741101687	3,626
5-4½	LED 3000-1800K D2W 41W	1446	White	I	WHT TEX	WIRELESS BLUETOOTH		35	5741101700	3,626
5-4½	LED 3000K 41W	1755	White	I	WHT TEX	DALI		43	5741101713	3,626
6½-6	LED 2700K 96W	4686	White	I	WHT TEX/WIRE	DALI	INT. DRIVER	49	5741094943	5,007
6½-6	LED 2700K 96W	4686	White	I	WHT TEX/WIRE	DALI	EXT. DRIVER	49	5741094969	5,007
6½-6	LED 2700K 96W	4686	White	I	WHT TEX/WIRE	WIRELESS BLUETOOTH	INT. DRIVER	49	5741094985	5,191
6½-6	LED 3000K 96W	4875	White	I	WHT TEX/WIRE	DALI	INT. DRIVER	51	5741094956	5,007
6½-6	LED 3000K 96W	4875	White	I	WHT TEX/WIRE	DALI	EXT. DRIVER	51	5741094972	5,007
6½-6	LED 3000K 96W	4875	White	I	WHT TEX/WIRE	WIRELESS BLUETOOTH	INT. DRIVER	51	5741094998	5,191

### Sparepart

Canopy White 2-part tophat ©									5749329034	27
PH Artichoke Ø600, Ø720, Ø840, 6½-6, Louvre replacement LED 27K90									5741096585	418
PH Artichoke Ø600, Ø720, Ø840, 6½-6, Louvre replacement LED 3K90									5741096598	418

### Accessories

PH 6½-6 PEN RENOVATION KIT SUSP BEFORE99									5741097050	321
--	--	--	--	--	--	--	--	--	------------	-----

### Suspension

PH 6½-6 SUSP-KIT LED-DA 27K90 INT/DRV									5741110979	2,723
PH 6½-6 SUSP-KIT LED-DA 3K90 INT/DRV									5741110982	2,723
PH 6½-6 SUSP-KIT LED-DA 27K90 EXT/DRV									5741110995	2,723
PH 6½-6 SUSP-KIT LED-DA 3K90 EXT/DRV									5741111004	2,723
PH 6½-6 SUSP-KIT LED-WB 27K90 INT/DRV									5741111017	2,906
PH 6½-6 SUSP-KIT LED-WB 3K90 INT/DRV									5741111020	2,906
PH 5-4½ RETRO-FIT LED-MD D2W #									5741102518	798
PH 5-4½ RETRO-FIT LED-DA D2W #									5741102521	798
PH 5-4½ RETRO-FIT LED-WB D2W #									5741102534	798
PH 5-4½ RETRO-FIT LED-DA 3K #									5741102547	798

# PH Artichoke

## Pendants

Design: Poul Henningsen

**Concept:** The pendant illuminates any space with a 100% glare-free light due to the 72 leaves, which form 12 precisely positioned rows that hold six leaves each. The fixture ensures the light is distributed inwards as well as outwards, thereby emitting a beautiful and comfortable light. Moreover, the high quality of light is maintained in the energy efficient LED variant that creates the same renowned atmosphere around the pendant.

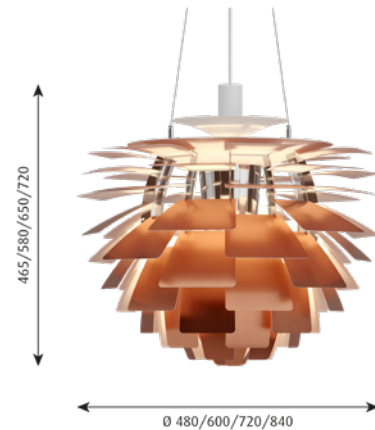
**Finish:** Brass, copper or stainless steel, brushed and coated.  
Black, powder coated with white, wet painted inner side.  
White, wet painted.

**Material:** Leaves: Laser cut brass, copper or stainless steel.  
Top shade: White or black, spun steel, white on the bottom.  
Frame: High lustre chrome plated, laser cut steel.  
Suspension: High lustre chrome plated, spun aluminium.

**Mounting:** Suspension type: E27: Cable 3 x 0,75mm<sup>2</sup> & wire. Canopy: Yes. Ø480  
LED: Cable 2 x 75mm<sup>2</sup> and wire. Canopy: Yes. LED canopy contains driver.  
Ø600/720/840 LED: Cable 2 x 1 mm<sup>2</sup> and wire. Canopy: Yes. Canopy or external driver box contains driver. Maximum distance between external driver box and fixture: 20m . Cable length: 4m.

**Weight:** Max. 27.5kg.

**Class:** Ingress protection IP20. Electric shock protection I w. ground.



Dimensions	Light source	Lumen	Finish	Class	Cable type	Lighting control	Plug	Efficacy	Order-no.	RRP €
Ø 480	1x100W E27		Black	I	WHT TEX/WIRE				5741112252	11,728
Ø 480	1x100W E27		Brass	I	WHT TEX/WIRE				5741111716	11,728
Ø 480	1x100W E27		Copper	I	WHT TEX/WIRE				5741111978	11,728
Ø 480	1x100W E27		Stainless Steel	I	WHT TEX/WIRE				5741092136	11,728
Ø 480	1x100W E27		White	I	WHT TEX/WIRE				5741092149	11,728
Ø 480	LED 3000-1800K D2W 41W	641	Black	I	WHT TEX/WIRE	DALI		16	5741112278	12,240
Ø 480	LED 3000-1800K D2W 41W	641	Black	I	WHT TEX/WIRE	PHASE DIMMING (MAINS DIMM)		16	5741112281	12,240
Ø 480	LED 3000-1800K D2W 41W	641	Black	I	WHT TEX/WIRE	WIRELESS BLUETOOTH		16	5741112294	12,240
Ø 480	LED 3000-1800K D2W 41W	800	Brass	I	WHT TEX/WIRE	DALI		20	5741100510	12,240
Ø 480	LED 3000-1800K D2W 41W	800	Brass	I	WHT TEX/WIRE	PHASE DIMMING (MAINS DIMM)		20	5741100507	12,240
Ø 480	LED 3000-1800K D2W 41W	800	Brass	I	WHT TEX/WIRE	WIRELESS BLUETOOTH		20	5741100523	12,240
Ø 480	LED 3000-1800K D2W 41W	894	Copper	I	WHT TEX/WIRE	DALI		22	5741100390	12,240
Ø 480	LED 3000-1800K D2W 41W	894	Copper	I	WHT TEX/WIRE	PHASE DIMMING (MAINS DIMM)		22	5741100387	12,240
Ø 480	LED 3000-1800K D2W 41W	894	Copper	I	WHT TEX/WIRE	WIRELESS BLUETOOTH		22	5741100400	12,240
Ø 480	LED 3000-1800K D2W 41W	800	Stainless Steel	I	WHT TEX/WIRE	DALI		20	5741100439	12,240
Ø 480	LED 3000-1800K D2W 41W	800	Stainless Steel	I	WHT TEX/WIRE	PHASE DIMMING (MAINS DIMM)		20	5741100426	12,240
Ø 480	LED 3000-1800K D2W 41W	800	Stainless Steel	I	WHT TEX/WIRE	WIRELESS BLUETOOTH		20	5741100442	12,240
Ø 480	LED 3000-1800K D2W 41W	1208	White	I	WHT TEX/WIRE	DALI		29	5741100358	12,240
Ø 480	LED 3000-1800K D2W 41W	1208	White	I	WHT TEX/WIRE	PHASE DIMMING (MAINS DIMM)		29	5741100345	12,240
Ø 480	LED 3000-1800K D2W 41W	1208	White	I	WHT TEX/WIRE	WIRELESS BLUETOOTH		29	5741100361	12,240
Ø 480	LED 3000K 41W	779	Black	I	WHT TEX/WIRE	DALI		19	5741112265	12,240
Ø 480	LED 3000K 41W	971	Brass	I	WHT TEX/WIRE	DALI		24	5741100536	12,240
Ø 480	LED 3000K 41W	1085	Copper	I	WHT TEX/WIRE	DALI		26	5741100413	12,240
Ø 480	LED 3000K 41W	971	Stainless Steel	I	WHT TEX/WIRE	DALI		24	5741100455	12,240
Ø 480	LED 3000K 41W	1466	White	I	WHT TEX/WIRE	DALI		36	5741100374	12,240
Ø 600	1x100W E27		Black	I	WHT TEX/WIRE				5741112333	14,324
Ø 600	1x100W E27		Brass	I	WHT TEX/WIRE				5741111729	14,324
Ø 600	1x100W E27		Copper	I	WHT TEX/WIRE				5741111981	14,324
Ø 600	1x100W E27		Stainless Steel	I	WHT TEX/WIRE				5741092411	14,324
Ø 600	1x100W E27		White	I	WHT TEX/WIRE				5741092398	14,324
Ø 600	LED 2700K 96W	2037	Black	I	WHT TEX/WIRE	DALI	EXT. DRIVER	21	5741112346	14,811
Ø 600	LED 2700K 96W	2037	Black	I	WHT TEX/WIRE	DALI	INT. DRIVER	21	5741112359	14,811
Ø 600	LED 2700K 96W	2037	Black	I	WHT TEX/WIRE	WIRELESS BLUETOOTH	INT. DRIVER	21	5741112388	14,995

Dimensions	Light source	Lumen	Finish	Class	Cable type	Lighting control	Plug	Efficacy	Order-no.	RRP €
Ø 600	LED 2700K 96W	2621	Brass	I	WHT TEX/WIRE	DALI	EXT. DRIVER	27	5741111732	14,811
Ø 600	LED 2700K 96W	2621	Brass	I	WHT TEX/WIRE	DALI	INT. DRIVER	27	5741111745	14,811
Ø 600	LED 2700K 96W	2621	Brass	I	WHT TEX/WIRE	WIRELESS BLUETOOTH	INT. DRIVER	27	5741111774	14,995
Ø 600	LED 2700K 96W	2621	Copper	I	WHT TEX/WIRE	DALI	EXT. DRIVER	27	5741111994	14,811
Ø 600	LED 2700K 96W	2621	Copper	I	WHT TEX/WIRE	DALI	INT. DRIVER	27	5741112003	14,811
Ø 600	LED 2700K 96W	2621	Copper	I	WHT TEX/WIRE	WIRELESS BLUETOOTH	INT. DRIVER	27	5741112032	14,995
Ø 600	LED 2700K 96W	2387	Stainless Steel	I	WHT TEX/WIRE	DALI	EXT. DRIVER	25	5741110160	14,811
Ø 600	LED 2700K 96W	2387	Stainless Steel	I	WHT TEX/WIRE	DALI	INT. DRIVER	25	5741110173	14,811
Ø 600	LED 2700K 96W	2387	Stainless Steel	I	WHT TEX/WIRE	WIRELESS BLUETOOTH	INT. DRIVER	25	5741110377	14,995
Ø 600	LED 2700K 96W	3631	White	I	WHT TEX/WIRE	DALI	EXT. DRIVER	38	5741110128	14,811
Ø 600	LED 2700K 96W	3631	White	I	WHT TEX/WIRE	DALI	INT. DRIVER	38	5741110131	14,811
Ø 600	LED 2700K 96W	3631	White	I	WHT TEX/WIRE	WIRELESS BLUETOOTH	INT. DRIVER	38	5741110351	14,995
Ø 600	LED 3000K 96W	2119	Black	I	WHT TEX/WIRE	DALI	EXT. DRIVER	22	5741112362	14,811
Ø 600	LED 3000K 96W	2119	Black	I	WHT TEX/WIRE	DALI	INT. DRIVER	22	5741112375	14,811
Ø 600	LED 3000K 96W	2119	Black	I	WHT TEX/WIRE	WIRELESS BLUETOOTH	INT. DRIVER	22	5741112391	14,995
Ø 600	LED 3000K 96W	2726	Brass	I	WHT TEX/WIRE	DALI	EXT. DRIVER	28	5741111758	14,811
Ø 600	LED 3000K 96W	2726	Brass	I	WHT TEX/WIRE	DALI	INT. DRIVER	28	5741111761	14,811
Ø 600	LED 3000K 96W	2726	Brass	I	WHT TEX/WIRE	WIRELESS BLUETOOTH	INT. DRIVER	28	5741111787	14,995
Ø 600	LED 3000K 96W	2726	Copper	I	WHT TEX/WIRE	DALI	EXT. DRIVER	28	5741112016	14,811
Ø 600	LED 3000K 96W	2726	Copper	I	WHT TEX/WIRE	DALI	INT. DRIVER	28	5741112029	14,811
Ø 600	LED 3000K 96W	2726	Copper	I	WHT TEX/WIRE	WIRELESS BLUETOOTH	INT. DRIVER	28	5741112045	14,995
Ø 600	LED 3000K 96W	2483	Stainless Steel	I	WHT TEX/WIRE	DALI	EXT. DRIVER	26	5741110186	14,811
Ø 600	LED 3000K 96W	2483	Stainless Steel	I	WHT TEX/WIRE	DALI	INT. DRIVER	26	5741110199	14,811
Ø 600	LED 3000K 96W	2483	Stainless Steel	I	WHT TEX/WIRE	WIRELESS BLUETOOTH	INT. DRIVER	26	5741110380	14,995
Ø 600	LED 3000K 96W	3777	White	I	WHT TEX/WIRE	DALI	EXT. DRIVER	39	5741110144	14,811
Ø 600	LED 3000K 96W	3777	White	I	WHT TEX/WIRE	DALI	INT. DRIVER	39	5741110157	14,811
Ø 600	LED 3000K 96W	3777	White	I	WHT TEX/WIRE	WIRELESS BLUETOOTH	INT. DRIVER	39	5741110364	14,995
Ø 720	1x100W E27		Black	I	WHT TEX/WIRE				5741112430	16,206
Ø 720	1x100W E27		Brass	I	WHT TEX/WIRE				5741111790	16,206
Ø 720	1x100W E27		Copper	I	WHT TEX/WIRE				5741112058	16,206
Ø 720	1x100W E27		Stainless Steel	I	WHT TEX/WIRE				5741092440	16,206
Ø 720	1x100W E27		White	I	WHT TEX/WIRE				5741092424	16,206
Ø 720	LED 2700K 96W	2505	Black	I	WHT TEX/WIRE	DALI	INT. DRIVER	26	5741112443	16,443
Ø 720	LED 2700K 96W	2505	Black	I	WHT TEX/WIRE	WIRELESS BLUETOOTH	INT. DRIVER	26	5741112472	16,626
Ø 720	LED 2700K 96W	3030	Brass	I	WHT TEX/WIRE	DALI	INT. DRIVER	32	5741111826	16,443
Ø 720	LED 2700K 96W	3030	Brass	I	WHT TEX/WIRE	WIRELESS BLUETOOTH	INT. DRIVER	32	5741111842	16,626
Ø 720	LED 2700K 96W	3030	Copper	I	WHT TEX/WIRE	DALI	INT. DRIVER	32	5741112087	16,443
Ø 720	LED 2700K 96W	3030	Copper	I	WHT TEX/WIRE	WIRELESS BLUETOOTH	INT. DRIVER	32	5741112100	16,626
Ø 720	LED 2700K 96W	2630	Stainless Steel	I	WHT TEX/WIRE	DALI	INT. DRIVER	27	5741110623	16,443
Ø 720	LED 2700K 96W	2630	Stainless Steel	I	WHT TEX/WIRE	WIRELESS BLUETOOTH	INT. DRIVER	27	5741110788	16,626
Ø 720	LED 2700K 96W	3538	White	I	WHT TEX/WIRE	DALI	INT. DRIVER	37	5741110610	16,443
Ø 720	LED 2700K 96W	3538	White	I	WHT TEX/WIRE	WIRELESS BLUETOOTH	INT. DRIVER	37	5741110775	16,626
Ø 720	LED 3000K 96W	2606	Black	I	WHT TEX/WIRE	DALI	EXT. DRIVER	27	5741112456	16,443
Ø 720	LED 3000K 96W	2606	Black	I	WHT TEX/WIRE	DALI	INT. DRIVER	27	5741112469	16,443
Ø 720	LED 3000K 96W	2606	Black	I	WHT TEX/WIRE	WIRELESS BLUETOOTH	INT. DRIVER	27	5741112485	16,626
Ø 720	LED 3000K 96W	3152	Brass	I	WHT TEX/WIRE	DALI	EXT. DRIVER	33	5741111800	16,443
Ø 720	LED 3000K 96W	3152	Brass	I	WHT TEX/WIRE	DALI	INT. DRIVER	33	5741111813	16,443
Ø 720	LED 3000K 96W	3152	Brass	I	WHT TEX/WIRE	WIRELESS BLUETOOTH	INT. DRIVER	33	5741111839	16,626
Ø 720	LED 3000K 96W	3152	Copper	I	WHT TEX/WIRE	DALI	EXT. DRIVER	33	5741112061	16,443
Ø 720	LED 3000K 96W	3152	Copper	I	WHT TEX/WIRE	DALI	INT. DRIVER	33	5741112074	16,443
Ø 720	LED 3000K 96W	3152	Copper	I	WHT TEX/WIRE	WIRELESS BLUETOOTH	INT. DRIVER	33	5741112090	16,626
Ø 720	LED 3000K 96W	2736	Stainless Steel	I	WHT TEX/WIRE	DALI	EXT. DRIVER	29	5741110474	16,443
Ø 720	LED 3000K 96W	2736	Stainless Steel	I	WHT TEX/WIRE	DALI	INT. DRIVER	29	5741110487	16,443
Ø 720	LED 3000K 96W	2736	Stainless Steel	I	WHT TEX/WIRE	WIRELESS BLUETOOTH	INT. DRIVER	29	5741110704	16,626
Ø 720	LED 3000K 96W	3681	White	I	WHT TEX/WIRE	DALI	EXT. DRIVER	38	5741110458	16,443
Ø 720	LED 3000K 96W	3681	White	I	WHT TEX/WIRE	DALI	INT. DRIVER	38	5741110461	16,443
Ø 720	LED 3000K 96W	3681	White	I	WHT TEX/WIRE	WIRELESS BLUETOOTH	INT. DRIVER	38	5741110694	16,626
Ø 840	1x100W E27		Black	I	WHT TEX/WIRE				5741112524	17,893
Ø 840	1x100W E27		Brass	I	WHT TEX/WIRE				5741111855	17,893
Ø 840	1x100W E27		Copper	I	WHT TEX/WIRE				5741112113	17,893
Ø 840	1x100W E27		Stainless Steel	I	WHT TEX/WIRE				5741092479	17,893
Ø 840	1x100W E27		White	I	WHT TEX/WIRE				5741092453	17,893
Ø 840	LED 2700K 96W	2505	Black	I	WHT TEX/WIRE	DALI	INT. DRIVER	26	5741112537	18,094
Ø 840	LED 2700K 96W	2505	Black	I	WHT TEX/WIRE	WIRELESS BLUETOOTH	INT. DRIVER	26	5741112566	18,277

Dimensions	Light source	Lumen	Finish	Class	Cable type	Lighting control	Plug	Efficacy	Order-no.	RRP €
Ø 840	LED 2700K 96W	3030	Brass	I	WHT TEX/WIRE	DALI	INT. DRIVER	32	5741111884	18,094
Ø 840	LED 2700K 96W	3030	Brass	I	WHT TEX/WIRE	WIRELESS BLUETOOTH	INT. DRIVER	32	5741111907	18,277
Ø 840	LED 2700K 96W	3030	Copper	I	WHT TEX/WIRE	DALI	INT. DRIVER	32	5741112142	18,094
Ø 840	LED 2700K 96W	3030	Copper	I	WHT TEX/WIRE	WIRELESS BLUETOOTH	INT. DRIVER	32	5741112168	18,277
Ø 840	LED 2700K 96W	2630	Stainless Steel	I	WHT TEX/WIRE	DALI	INT. DRIVER	27	5741110665	18,094
Ø 840	LED 2700K 96W	2630	Stainless Steel	I	WHT TEX/WIRE	WIRELESS BLUETOOTH	INT. DRIVER	27	5741110827	18,277
Ø 840	LED 2700K 96W	3538	White	I	WHT TEX/WIRE	DALI	INT. DRIVER	37	5741110652	18,094
Ø 840	LED 2700K 96W	3538	White	I	WHT TEX/WIRE	WIRELESS BLUETOOTH	INT. DRIVER	37	5741110814	18,277
Ø 840	LED 3000K 96W	2606	Black	I	WHT TEX/WIRE	DALI	EXT. DRIVER	27	5741112540	18,094
Ø 840	LED 3000K 96W	2606	Black	I	WHT TEX/WIRE	DALI	INT. DRIVER	27	5741112553	18,094
Ø 840	LED 3000K 96W	2606	Black	I	WHT TEX/WIRE	WIRELESS BLUETOOTH	INT. DRIVER	27	5741112579	18,277
Ø 840	LED 3000K 96W	3152	Brass	I	WHT TEX/WIRE	DALI	EXT. DRIVER	33	5741111868	18,094
Ø 840	LED 3000K 96W	3152	Brass	I	WHT TEX/WIRE	DALI	INT. DRIVER	33	5741111871	18,094
Ø 840	LED 3000K 96W	3152	Brass	I	WHT TEX/WIRE	WIRELESS BLUETOOTH	INT. DRIVER	33	5741111897	18,277
Ø 840	LED 3000K 96W	3152	Copper	I	WHT TEX/WIRE	DALI	EXT. DRIVER	33	5741112126	18,094
Ø 840	LED 3000K 96W	3152	Copper	I	WHT TEX/WIRE	DALI	INT. DRIVER	33	5741112139	18,094
Ø 840	LED 3000K 96W	3152	Copper	I	WHT TEX/WIRE	WIRELESS BLUETOOTH	INT. DRIVER	33	5741112155	18,277
Ø 840	LED 3000K 96W	2736	Stainless Steel	I	WHT TEX/WIRE	DALI	EXT. DRIVER	29	5741110539	18,094
Ø 840	LED 3000K 96W	2736	Stainless Steel	I	WHT TEX/WIRE	DALI	INT. DRIVER	29	5741110542	18,094
Ø 840	LED 3000K 96W	2736	Stainless Steel	I	WHT TEX/WIRE	WIRELESS BLUETOOTH	INT. DRIVER	29	5741110746	18,277
Ø 840	LED 3000K 96W	3681	White	I	WHT TEX/WIRE	DALI	EXT. DRIVER	38	5741110513	18,094
Ø 840	LED 3000K 96W	3681	White	I	WHT TEX/WIRE	DALI	INT. DRIVER	38	5741110526	18,094
Ø 840	LED 3000K 96W	3681	White	I	WHT TEX/WIRE	WIRELESS BLUETOOTH	INT. DRIVER	38	5741110733	18,277
<b>Sparepart</b>										
PH Artichoke Ø600, Ø720, Ø840, 6½-6, Louvre replacement LED 27K90									5741096585	418
PH Artichoke Ø600, Ø720, Ø840, 6½-6, Louvre replacement LED 3K90									5741096598	418
PH Artichoke Ø480 canopy white									5741086223	70
PH Artichoke/Louvre/Lp centrum canopy									5741480272	71
<b>Suspension</b>										
PH ARTICHOKE 480 SUSP 100W E27 V2									5741092563	2,076
PH ART 480 RETRO-FIT KIT LED-MD D2W									5741100293	2,336
PH ART 480 RETRO-FIT KIT LED-DA D2W									5741100303	2,336
PH ART 480 RETRO-FIT KIT LED-WB D2W									5741100316	2,336
PH ART 480 RETRO-FIT KIT LED-DA 3K									5741100329	2,336
PH ARTICHOKE 600 SUSP 100W E27 V2									5741092576	2,413
PH ARTICHOKE 720 SUSP 100W E27 V2									5741092589	2,663
PH ARTICHOKE 840 SUSP 100W E27 V2									5741092592	2,699
PH ART 600 SUSP LED-DA 27K90 EXT/DRV									5741110005	2,900
PH ART 600 SUSP LED-DA 27K90 INT/DRV									5741110018	2,900
PH ART 600 SUSP LED-DA 3K90 EXT/DRV									5741110021	2,900
PH ART 600 SUSP LED-DA 3K90 INT/DRV									5741110034	2,900
PH ART 720/840 SUSP LED-DA 27K90 W/INT									5741110241	2,900
PH ART 720/840 SUSP LED-DA 3K90 W/INT									5741110254	2,900
PH ART 720/840 SUSP LED-DA 3K90 W/EXT									5741110267	2,900
PH ART 600 SUSP LED-WB 27K90 INT/DRV									5741110047	3,084
PH ART 600 SUSP LED-WB 3K90 INT/DRV									5741110050	3,084
PH ART 720/840 SUSP LED-WB 3K90 W/INT									5741110270	3,084
PH ART 720/840 SUSP LED-WB 27K90 W/INT									5741110283	3,084

# PH Artichoke Glass

## Pendants

Design: Poul Henningsen

**Concept:** The fixture provides 100% glare-free light. The 72 precisely positioned leaves form 12 unique rows of six leaves each. They illuminate the fixture, as well as emit diffused light with a unique pattern. Reflection from the light source is diffused in the sandblasted lower surfaces, and this light is reflected decoratively in the top surfaces, giving the fixture a unique glow. The surface treatment on the glass leaves eliminates direct glare. For the energy saving LED variant the quality of light and atmosphere surrounding the product is kept at the highest level.

**Finish:** Clear glass, sandblasted.

**Material:** Leaves: Clear glass, sandblasted. Top shade: High lustre chrome plated or white, spun brass. Frame: High lustre chrome plated, laser cut brass. Suspension: High lustre chrome plated, spun aluminium.

**Mounting:** Suspension type: E27 . Cable 3x0,75mm<sup>2</sup> & wire. Canopy: Yes. Cable length: 4m. LED: Cable 2 x 1 mm<sup>2</sup> and wire. Canopy or external driver box contains driver. Cable length: 4m. Maximum distance between external driver box and fixture: 20m.

**Weight:** Max. 27.5kg.

**Class:** Ingress protection IP20. Electric shock protection I w. ground.

**Info notes:** For LED replacement kits please do contact Louis Poulsen. The innovation of the LED technology is constant. The specifications mentioned are based on present technology..



Dimensions	Light source	Lumen	Finish	Class	Cable type	Lighting control	Plug	Efficacy	Order-no.	RRP €
Ø 480	1x100W E27		Clear Glass Sandblasted	I	WHT TEX/WIRE				5741092602	34,796
Ø 600	1x100W E27		Clear Glass Sandblasted	I	WHT TEX/WIRE				5741092709	41,204
Ø 600	LED 2700K 59W	4811	Clear Glass Sandblasted	I	WHT TEX/WIRE	DALI	EXT. DRIVER	82	5741110296	41,692
Ø 600	LED 2700K 59W	4811	Clear Glass Sandblasted	I	WHT TEX/WIRE	WIRELESS BLUETOOTH	INT. DRIVER	82	5741110432	41,875
Ø 600	LED 2700K 59W	4811	Clear Glass Sandblasted	I	WHT TEX/WIRE	DALI	INT. DRIVER	82	5741110306	41,692
Ø 600	LED 3000K 59W	5005	Clear Glass Sandblasted	I	WHT TEX/WIRE	DALI	EXT. DRIVER	85	5741110319	41,692
Ø 600	LED 3000K 59W	5005	Clear Glass Sandblasted	I	WHT TEX/WIRE	DALI	INT. DRIVER	85	5741110322	41,692
Ø 600	LED 3000K 59W	5005	Clear Glass Sandblasted	I	WHT TEX/WIRE	WIRELESS BLUETOOTH	INT. DRIVER	85	5741110445	41,875
Ø 720	1x100W E27		Clear Glass Sandblasted	I	WHT TEX/WIRE				5741092712	48,017
Ø 720	LED 2700K 96W	7462	Clear Glass Sandblasted	I	WHT TEX/WIRE	DALI	INT. DRIVER	78	5741110898	48,254
Ø 720	LED 2700K 96W	7462	Clear Glass Sandblasted	I	WHT TEX/WIRE	WIRELESS BLUETOOTH	INT. DRIVER	78	5741110937	48,438
Ø 720	LED 3000K 96W	7761	Clear Glass Sandblasted	I	WHT TEX/WIRE	DALI	EXT. DRIVER	81	5741110856	48,254
Ø 720	LED 3000K 96W	7761	Clear Glass Sandblasted	I	WHT TEX/WIRE	DALI	INT. DRIVER	81	5741110869	48,254
Ø 720	LED 3000K 96W	7761	Clear Glass Sandblasted	I	WHT TEX/WIRE	WIRELESS BLUETOOTH	INT. DRIVER	81	5741110911	48,438
Ø 840	1x100W E27		Clear Glass Sandblasted	I	WHT TEX/WIRE				5741092725	54,506
Ø 840	LED 2700K 96W	7462	Clear Glass Sandblasted	I	WHT TEX/WIRE	DALI	INT. DRIVER	78	5741110908	54,708
Ø 840	LED 2700K 96W	7462	Clear Glass Sandblasted	I	WHT TEX/WIRE	WIRELESS BLUETOOTH	INT. DRIVER	78	5741110940	54,891
Ø 840	LED 3000K 96W	7761	Clear Glass Sandblasted	I	WHT TEX/WIRE	DALI	EXT. DRIVER	81	5741110872	54,708
Ø 840	LED 3000K 96W	7761	Clear Glass Sandblasted	I	WHT TEX/WIRE	DALI	INT. DRIVER	81	5741110885	54,708
Ø 840	LED 3000K 96W	7761	Clear Glass Sandblasted	I	WHT TEX/WIRE	WIRELESS BLUETOOTH	INT. DRIVER	81	5741110924	54,891

### Sparepart

PH Artichoke Ø600, Ø720, Ø840, 6½-6, Louvre replacement LED 27K90	5741096585	418
PH Artichoke Ø600, Ø720, Ø840, 6½-6, Louvre replacement LED 3K90	5741096598	418
PH Artichoke Ø480 canopy white	5741086223	70
PH Artichoke/Louvre/Lp centrum canopy	5741480272	71

### Suspension

PH ARTICHOKE 480 SUSP 100W E27 V2	5741092563	2,076
PH ARTICHOKE 600 SUSP 100W E27 V2	5741092576	2,413
PH ARTICHOKE 720 SUSP 100W E27 V2	5741092589	2,663
PH ARTICHOKE 840 SUSP 100W E27 V2	5741092592	2,699
PH ART 600 GL SUSP LED-DA 27K90 EX/DRV	5741110063	2,900
PH ART 600 GL SUSP LED-DA 27K90 IN/DRV	5741110076	2,900
PH ART 600 GL SUSP LED-DA 3K90 EXT/DRV	5741110089	2,900

**Suspension**

PH ART 600 GL SUSP LED-DA 3K90 INT/DRV	5741110092	2,900
PH ART 720/840 SUSP LED-DA 27K90 W/INT	5741110241	2,900
PH ART 720/840 SUSP LED-DA 3K90 W/INT	5741110254	2,900
PH ART 720/840 SUSP LED-DA 3K90 W/EXT	5741110267	2,900
PH ART 600 GL SUSP LED-WB 27K90 IN/DRV	5741110102	3,084
PH ART 600 GL SUSP LED-WB 3K90 INT/DRV	5741110115	3,084
PH ART 720/840 SUSP LED-WB 3K90 W/INT	5741110270	3,084
PH ART 720/840 SUSP LED-WB 27K90 W/INT	5741110283	3,084

# PH Louvre

## Pendants

**Design:** Poul Henningsen

**Concept:** The fixture provides 100% glare-free light. The geometrical, spherical design is based on the principle of illuminating all surfaces at the same angle. This ensures uniform light around the fixture, illuminating both walls and ceiling. Matt painted undersurfaces and glossy top surfaces result in an attractive reflection of the diffused light, creating uniform light distribution around the fixture.

**Finish:** White, wet painted.

**Material:** Shades: Spun aluminium. Frame: High lustre chrome plated, extruded brass. Housing: High lustre chrome plated, spun aluminium.

**Mounting:** Suspension type: Cable 2 x 1 mm<sup>2</sup> and wire. Canopy or external driver box contains driver. Cable length: 4m. Maximum distance between external driver box and fixture: 20m.

**Weight:** Max. 7kg.

**Class:** Ingress protection IP20. Electric shock protection I w. ground.

**Info notes:** For LED replacement kits please do contact Louis Poulsen. The innovation of the LED technology is constant. The specifications mentioned are based on present technology.



Light source	Lumen	Finish	Class	Cable type	Lighting control	Plug	Efficacy	Order-no.	RRP €
LED 2700K 96W	2741	White	I	WHT TEX/WIRE	DALI	INT. DRIVER	29	5741094655	10,155
LED 2700K 96W	2741	White	I	WHT TEX/WIRE	DALI	EXT. DRIVER	29	5741094671	10,155
LED 2700K 96W	2741	White	I	WHT TEX/WIRE	WIRELESS BLUETOOTH	INT. DRIVER	29	5741094697	10,338
LED 3000K 96W	2986	White	I	WHT TEX/WIRE	DALI	INT. DRIVER	31	5741094668	10,155
LED 3000K 96W	2986	White	I	WHT TEX/WIRE	DALI	EXT. DRIVER	31	5741094684	10,155
LED 3000K 96W	2986	White	I	WHT TEX/WIRE	WIRELESS BLUETOOTH	INT. DRIVER	31	5741094707	10,338

### Sparepart

PH Artichoke Ø600, Ø720, Ø840, 6½-6, Louvre replacement LED 27K90	5741096585	418
PH Artichoke Ø600, Ø720, Ø840, 6½-6, Louvre replacement LED 3K90	5741096598	418
PH Artichoke/Louvre/Lp centrum canopy	5741480272	71

### Suspension

PH LOUVRE SUSP-KIT LED-DA 27K90 INT/DRV	5741096459	3,119
PH LOUVRE SUSP-KIT LED-DA 3K90 INT/DRV	5741096475	3,119
PH LOUVRE SUSP-KIT LED-DA 27K90 EXT/DRV	5741096637	3,119
PH LOUVRE SUSP-KIT LED-DA 3K90 EXT/DRV	5741096653	3,119
PH LOUVRE SUSP-KIT LED-WB 27K INT/DRV	5741096583	3,303
PH LOUVRE SUSP-KIT LED-WB 3K90 INT/DRV	5741096596	3,303

# PH Septima

## Pendants

**Design:** Poul Henningsen

**Concept:** The seven-shade glass crown emits a glare-free, downward directed light, while radiating a pleasantly delicate glow. From shade to shade, frosted glass fields alternately cover the clear ones, thus diffusing the light even more softly.

**Finish:** Clear glass with sandblasted fields.  
Satin polished brass, untreated.

**Material:** Shades: Clear glass with sandblasted fields. Legs: Steel, brass metallised. Socket housing and canopy: Satin polished brass, untreated. Please note that the brass surface is untreated. The untreated brass will change over time and develop a patina.

**Mounting:** Suspension type: E27

**Cable:** White textile 2x0,75mm<sup>2</sup> & wire.

Untreated, brass canopy

Cable length: 3m.

**Weight:** Max 7 kg

**Class:** Ingress protection IP20. Electric shock protection I w. ground.



Light source	Finish	Class	Cable type	Order-no.	RRP €
1x28W E27	Clear and Matt Glass/Brass	I	WHT TEX	5741104613	12,815
<b>Sparepart</b>					
PH Septima shade 2				5741105308	1,612
PH Septima upper shade 1				5741105324	1,832
PH Septima shade 7 w/diffuser				5741105256	484
PH Septima shade 6				5741105269	538
PH Septima shade 5				5741105272	538
PH Septima funnel				5741105311	675
PH Septima top ball				5741105337	69
PH Septima shade 4				5741105285	777
PH Septima shade 3				5741105298	929
PH Septima support stand				5741105366	98



# PH Snowball

## Pendants

**Design:** Poul Henningsen

**Concept:** The fixture emits comfortable glare-free diffused light. Matt painted undersurfaces and glossy top surfaces result in an attractive reflection of the diffused light, creating uniform light distribution around the fixture. When the light is switched on, the top portion is illuminated while the bottom part remains dark.

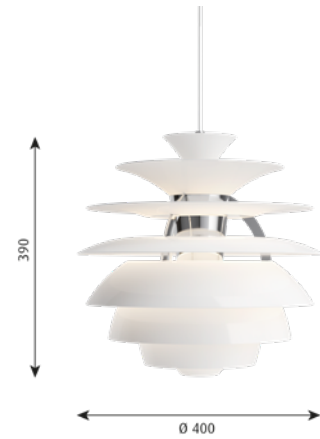
**Finish:** White, wet painted.

**Material:** Shades: Spun aluminium. Frame: High lustre chrome plated, die cast aluminium. Housing: High lustre chrome plated, spun aluminium.

**Mounting:** Suspension type E27: Cable 3x0,75mm<sup>2</sup>. Canopy: Yes. Cable length: 3m. Suspension type LED: Cable 2x1,5mm<sup>2</sup>. Canopy: Yes. LED canopy contains driver. Cable length: 4m.

**Weight:** Max. 3kg.

**Class:** Ingress protection IP20. Electric shock protection I w. ground.



Light source	Lumen	Finish	Class	Cable type	Lighting control	Efficacy	Order-no.	RRP €
1x70W E27		White	I	WHT TEX			5741081888	3,244
LED 3000-1800K D2W 41W	894	White	I	WHT TEX	DALI	22	5741101001	3,825
LED 3000-1800K D2W 41W	894	White	I	WHT TEX	WIRELESS BLUETOOTH	22	5741101014	3,825
LED 3000-1800K D2W 41W	894	White	I	WHT TEX	PHASE DIMMING (MAINS DIMM)	22	5741100992	3,825
LED 3000K 41W	1085	White	I	WHT TEX	DALI	26	5741101027	3,825
<b>Sparepart</b>								
PH Snowball bottomshade complete							5741086456	211
Canopy White 2-part tophat ©							5749329034	27
<b>Suspension</b>								
SNOWBALL RETRO-FIT LED-MD D2W #							5741102550	798
SNOWBALL RETRO-FIT LED-DA D2W #							5741102563	798
SNOWBALL RETRO-FIT LED-WB D2W #							5741102576	798
SNOWBALL RETRO-FIT LED-DA 3K #							5741102589	798

# Silverback Suspended

## Pendants

Design: KiBiSi

**Concept:** The fixture emits diffused light. The curved opal diffuser provides soft, pleasant, primarily downward directed room lighting. The metallised semitransparent rear side of the diffuser produces a halo effect and reflects light from the surroundings. The rounded white top completes the curve from the diffuser. The luminaire is suspended simple and elegant from its cord. A white pendant tube in the top of the housing ensures stability and balance in the luminaire.

**Finish:** Ø 295: Top: ASA white structure. Shade: Opal and alu-metallised. Ø 440: Top: Aluminium powder coated white. Shade: Opal and alu-metallised.

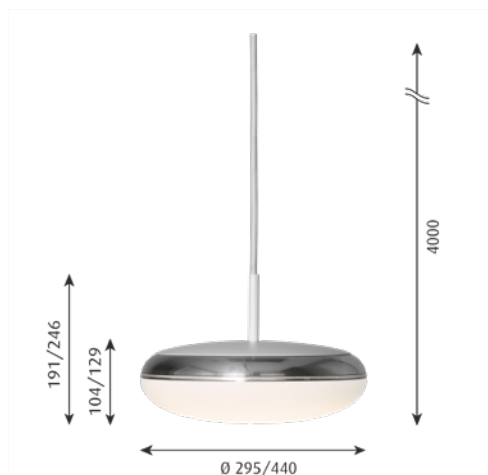
**Material:** Ø 295: Fixture body: Die cast aluminium powder coated white. Top: Injection moulded plastic white structure. Shade: Opal PMMA and semi-metallised PC. Ø 440: Fixture body: Die-stamped steel sheet, powder coated, white. Top: Die-stamped aluminium, powder coated white. Shade: Opal PMMA and semi-metallised PC.

**Mounting:** Suspension type: 5x0.75mm<sup>2</sup> cord. Ceiling rose: Yes. Cord length 4m.

**Weight:** Max. 4,5kg.

**Class:** Protection class IP20, Insulation class I.

**Info notes:** For Switch-Dim, contact Louis Poulsen. For LED replacement kit please do contact Louis Poulsen. The innovation of the LED technology is in constant development. The specifications mentioned are based on present technology.



Dimensions	Light source	Lumen	Finish	Class	Mounting	Lighting control	Efficacy	Order-no.	RRP €
Ø 295	LED 3000K 9.8W	818	Opal	I	SUSPENDED	DALI	84	5741091674	755
Ø 440	LED 3000K 32W	2306	Opal	I	SUSPENDED	DALI	72	5741097678	983
<b>Sparepart</b>									
Silverback Ø295 replacement kit LED 3K90								5741087866	137
Silverback Ø295 replacement kit LED 4K90								5741087879	137
Silverback Ø295 shade pmma								5743157040	197
Silverback Ø440 shade pmma								5743168712	295

# Toldbod 155/220 Glass Pendant

## Pendants

**Design:** Louis Poulsen A/S

**Concept:** The fixture emits glare-free light directed primarily downwards. The opal glass provides a comfortable and uniform illumination of the area around the fixture.

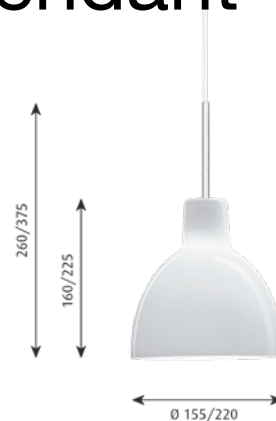
**Finish:** White opal glass.

**Material:** Suspension: Brushed stainless steel. Shade: Mouth-blown white opal glass.

**Mounting:** Suspension type: Cable 2x0,75mm<sup>2</sup>. Canopy: Yes. Cable length: 3m.

**Weight:** Max. 1kg.

**Class:** Ingress protection IP20. Electric shock protection II w/o ground.



Dimensions	Light source	Finish	Class	Cable type	Order-no.	RRP €
Ø 155	1x25WW G9	White Opal Glass	II	WHT TEX	5741094150	454
Ø 220	1x25WW G9	White Opal Glass	II	WHT TEX	5741094163	567
<b>Sparepart</b>						
Toldbod Pendant 155 25W QT susp kit V2					5741094134	164
Toldbod Pendant 220 25W QT susp. kit V2					5741094147	168
Canopy White 2-part tophat ©					5749329034	27
Toldbod Pendant 155 spare glass					5741085907	314
Toldbod Pendant 220 spare glass					5741085910	420

# Toldbod Pendant

## Pendants

Design: Louis Poulsen A/S

**Concept:** The pendant emits soft downwards directed light. The matt, white-painted inside of the elliptical shade helps to assure even distribution of the light.

**Finish:** Ø120/Ø170/Ø250: Black, White, Dark Rose, Light Grey or Blue-Grey. Matt powder coated. Ø400/Ø550: Black or White. Matt powder coated.

**Material:** Shade: Spun aluminium. Ø120 reflector: Spun white matt coated aluminium. Ø400/Ø550 diffuser: Matt acrylic

**Mounting:** Suspension type: Cable 2x0,75mm<sup>2</sup> .

Ø400/Ø550: Cable and wire.

Cable length: 3m. (Ø120/Ø170).

4m. (Ø250/Ø400/Ø550).

Canopy: Yes. Black and white cords.

**Weight:** Max 4,3 kg.

**Class:** Ingress protection IP20. Electric shock protection II w/o ground.



Dimensions	Light source	Finish	Class	Cable type	Order-no.	RRP €
Ø 120	G9	Black	II	BLK TEX	5741101454	340
Ø 120	G9	Blue-Grey	II	BLK TEX	5741101438	340
Ø 120	G9	Dark Rose	II	BLK TEX	5741101441 *	340
Ø 120	G9	Light Grey	II	WHT TEX	5741101425	340
Ø 120	G9	White	II	WHT TEX	5741101412	340
Ø 170	E14	Black	II	BLK TEX	5741101506	357
Ø 170	E14	Blue-Grey	II	BLK TEX	5741101483	357
Ø 170	E14	Dark Rose	II	BLK TEX	5741101496 *	357
Ø 170	E14	Light Grey	II	WHT TEX	5741101470	357
Ø 170	E14	White	II	WHT TEX	5741101467	357
Ø 250	1x60W E27	Black	II	BLK TEX	5741101551	503
Ø 250	1x60W E27	Blue-Grey	II	BLK TEX	5741101535	503
Ø 250	1x60W E27	Dark Rose	II	BLK TEX	5741101548 *	503
Ø 250	1x60W E27	Light Grey	II	WHT TEX	5741101522	503
Ø 250	1x60W E27	White	II	WHT TEX	5741101519	503
Ø 400	1x100W E27	Black	II	BLK TEX	5741101577	843
Ø 400	1x100W E27	White	II	WHT TEX	5741101564	843
Ø 550	1x100W E27	Black	II	BLK TEX	5741101593 *	1,119
Ø 550	1x100W E27	White	II	WHT TEX	5741101580 *	1,119

### Sparepart

Canopy Black 2-part tophat®	5749329021	27
Canopy White 2-part tophat ®	5749329034	27

\*Available while stocks last

# VL Ring Crown 1

## Pendants

**Design:** Vilhelm Lauritzen

**Concept:** The pendant emits light directed primarily downwards. The opal glass provides a comfortable and uniform illumination of the area around the fixture.

**Finish:** Glossy, mouthblown white opal glass. Satin polished brass, untreated.

**Material:** Shades: Mouth-blown, 3-layered, polished opal glass. Suspension: Untreated brass, will patinate.

**Mounting:** Cable 2x0,75mm<sup>2</sup>. Canopy: Yes. Cable length: 3m.

**Weight:** Max. 1.2 kg.

**Class:** Ingress protection IP20. Electric shock protection II w/o ground.

**Info notes:** Please note that the brass surfaces are untreated. This means that the surface will change over time and develop a patina.



Light source	Finish	Class	Cable type	Order-no.	RRP €
1x40W E27	Brass/Glossy Opal Glass	II	WHT TEX	5741094367	567
<b>Sparepart</b>					
Canopy White 2-part tophat ©				5749329034	27
VL Ring crown 1 spare glass				5741094419	400

# VL Ring Crown 3-5-7

## Pendants

**Design:** Vilhelm Lauritzen

**Concept:** The pendant emits light directed primarily downwards. The opal glass provides a comfortable and uniform illumination of the area around the fixture.

**Finish:** Glossy, mouthblown white opal glass. Satin polished brass, untreated.

**Material:** Shades: Mouth-blown, 3-layered, opal glass.

**Wires:** Stainless steel. Frame and canopy in untreated brass, will patinate.

**Mounting:** Suspension type: Cable 3 x 0,75 mm<sup>2</sup> with wires. Untreated, brass canopy. 4 m. White, textile cord.

**Weight:** Max. 9.9 kg.

**Class:** Ingress protection IP20. Electric shock protection I w. Ground.

**Info notes:** Please note that the brass surfaces are untreated. This means that the surface will change over time and develop a patina. The total weight of the fixtures are calculated with the average weight of the glass (671g). They vary from approx. 600-800g.



Dimensions	Light source	Finish	Class	Order-no.	RRP €
3	3x40W E27	Brass/Glossy Opal Glass	I	5741094370	3,569
5	5x40W E27	Brass/Glossy Opal Glass	I	5741094383	4,574
7	7x40W E27	Brass/Glossy Opal Glass	I	5741094396	5,548

### Sparepart

VL Ring crown Wall/3-5-7 glass	5741094406	400
VL Ring crown canopy	5741094451	605

# VL45 Radiohus Pendant

## Pendants

**Design:** Vilhelm Lauritzen

**Concept:** The fixture provides uniform, general and diffused illumination. The opening at the bottom of the glass produces downwards directed light. The quality of the glass ensures that the fixture is evenly lit.

**Finish:** Glossy white opal glass. Brushed brass, untreated.

**Material:** Shade: Mouth-blown polished white opal glass. Pendant fitting: Untreated brushed brass, will patinate.

**Mounting:** Cable Ø 175/Ø 250: 3x0,75mm<sup>2</sup>. Ø 370 (E27): 3x1mm<sup>2</sup>. Ø 370 (LED): 2x0,75mm<sup>2</sup> & Wire. Canopy: Yes. LED canopy contains driver. Cable length: E27: 4.4m. LED: 4m.

**Weight:** Max 4 kg.

**Class:** Ingress protection IP20. Electric shock protection I w. Ground.

**Info notes:** Please note that the brass surfaces are untreated. This means that the surface will change over time and develop a patina.



Dimensions	Light source	Lumen	Finish	Class	Cable type	Lighting control	Efficacy	Order-no.	RRP €
Ø 175	1x20W E14		Brass/Glossy Opal Glass	I	WHT TEX			5741100167	519
Ø 250	1x100W E27		Brass/Glossy Opal Glass	I	WHT TEX			5741098198	649
Ø 370	1x100W E27		Brass/Glossy Opal Glass	I	WHT TEX			5741098185	859
Ø 370	LED 3000-1800K D2W 41W	2763	Brass/Glossy Opal Glass	I	WHT TEX	DALI	67	5741100714	1,371
Ø 370	LED 3000-1800K D2W 41W	2763	Brass/Glossy Opal Glass	I	WHT TEX	WIRELESS BLUETOOTH	67	5741100727	1,371
Ø 370	LED 3000-1800K D2W 41W	2763	Brass/Glossy Opal Glass	I	WHT TEX	PHASE DIMMING (MAINS DIMM)	67	5741100701	1,371
Ø 370	LED 3000K 41W	3353	Brass/Glossy Opal Glass	I	WHT TEX	DALI	82	5741100730	1,371
<b>Sparepart</b>									
Canopy White 2-part tophat ©								5749329034	27
VL45 Radio Ø250 Pendant glass opal								5741099304	427
VL45 Radio Ø370 Pendant glass opal								5741099317	566
VL45 Radio Pendant Ø370 glass opal LED/V3								5741100866	574
<b>Suspension</b>									
VL45 RADIO 175 SUSPENSION								5741100183	242
VL45 RADIO 250 E27 SUSPENSION								5741099320	263
VL45 RADIO 370 E27 SUSPENSION								5741099333	351
VL45 RADIO RETRO-FIT 370 LED-MD D2W #								5741101865	798
VL45 RADIO RETRO-FIT 370 LED-DA D2W #								5741101878	798
VL45 RADIO RETRO-FIT 370 LED-WB D2W #								5741101881	798
VL45 RADIO RETRO-FIT 370 LED-DA 3K #								5741101894	798

# Wohlert

## Pendants

Design: Vilhelm Wohlert

**Concept:** The fixture provides uniform, general and diffused illumination. The opening at the bottom of the glass produces downwards directed light. The quality of the glass ensures that the fixture is evenly lit.

**Finish:** Matt white opal glass.

**Material:** Shade: Mouth-blown matt white opal glass. Pendant tube: Brushed steel.

**Mounting:** Suspension type E27: Cable 3x0,75mm<sup>2</sup>. Canopy: Yes. Cable length: 3m. Suspension type LED: Cable 2x1,5mm<sup>2</sup>. Canopy: Yes. LED canopy contains driver. Cable length: 4m.

**Weight:** Max. 4.5kg.

**Class:** Ingress protection IP20. Electric shock protection I w. ground.



Dimensions	Light source	Lumen	Finish	Class	Cable type	Lighting control	Efficacy	Order-no.	RRP €
Ø 300	1x70W E27		White Opal Glass	I	WHT TEX			5741086977	778
Ø 350	1x70W E27		White Opal Glass	I	WHT TEX			5741086993	876
Ø 350	LED 3000-1800K D2W 41W	2955	White Opal Glass	I	WHT TEX	DALI	72	5741100921	1,387
Ø 350	LED 3000-1800K D2W 41W	2955	White Opal Glass	I	WHT TEX	PHASE DIMMING (MAINS DIMM)	72	5741100918	1,387
Ø 350	LED 3000-1800K D2W 41W	2955	White Opal Glass	I	WHT TEX	WIRELESS BLUETOOTH	72	5741100934	1,387
Ø 350	LED 3000K 41W	3587	White Opal Glass	I	WHT TEX	DALI	87	5741100947	1,387
Ø 400	1x70W E27		White Opal Glass	I	WHT TEX			5741087015	973
Ø 400	LED 3000-1800K D2W 41W	2981	White Opal Glass	I	WHT TEX	DALI	73	5741100963	1,484
Ø 400	LED 3000-1800K D2W 41W	2981	White Opal Glass	I	WHT TEX	PHASE DIMMING (MAINS DIMM)	73	5741100950	1,484
Ø 400	LED 3000-1800K D2W 41W	2981	White Opal Glass	I	WHT TEX	WIRELESS BLUETOOTH	73	5741100976	1,484
Ø 400	LED 3000K 41W	3617	White Opal Glass	I	WHT TEX	DALI	88	5741100989	1,484
<b>Sparepart</b>									
Canopy White 2-part tophat ©								5749329034	27
Wohlert Ø300 Pendant glass								5741480382	492
Wohlert Ø350 Pendant glass								5741480395	589
Wohlert Ø400 Pendant glass								5741480405	687
<b>Suspension</b>									
WOHLERT PENDANT SUSP 70W E27								5741086935	287
WOHLERT SUSPENSION D2W								5741100879	508
WOHLERT SUSPENSION 3K								5741100882	508



# AJ Mini Table

## Table lamps

Design: Arne Jacobsen

**Concept:** The fixture emits downward directed light. The angle of the shade can be adjusted to optimize light distribution. The shade is painted white on the inside to ensure a soft comfortable light.

**Finish:** Stainless Steel, polished. White, Black, Aubergine, Dark Green, Dark Grey, Light Grey, Midnight Blue, Pale Petroleum, Rusty Red, Yellow Ochre, wet painted.

**Material:** Shade: Spun steel or stainless steel. Base: Die cast zinc or stainless steel. Stem: Steel or stainless steel.

**Mounting:** Cable type: Plastic cord with plug. Cable length: 2.4m. Light control: Switch on lamp stand.

**Weight:** Max 1,3 kg

**Class:** Ingress protection IP20. Electric shock protection II.

**Info notes:** The white version is supplied with a white cable. The other versions are supplied with a black cable.



Light source	Finish	Class	Cable type	Order-no.	RRP €
1x20W E14	Aubergine	II	BLK PL	5744167259	973
1x20W E14	Black	II	BLK PL	5744167204	973
1x20W E14	Dark Green	II	BLK PL	5744167275	973
1x20W E14	Dark Grey	II	BLK PL	5744167262	973
1x20W E14	Light Grey	II	BLK PL	5744167217	973
1x20W E14	Midnight Blue	II	BLK PL	5744167246	973
1x20W E14	Pale Petroleum	II	BLK PL	5744167288	973
1x20W E14	Rusty Red	II	BLK PL	5744167233	973
1x20W E14	Stainless Steel Polished	II	BLK PL	5744166548	1,103
1x20W E14	White	II	WHT PL	5744167194	973
1x20W E14	Yellow Ochre	II	BLK PL	5744167220	973

# AJ Oxford Table Lamp

## Table lamps

Design: Arne Jacobsen

**Concept:** This table lamp emits a pleasant downward directed light, which harmoniously illuminates the surface below it through the soft transparency of the three-layered mouth-blown opal glass. The variant without the top metal shade, the milky opal glass shade provides further glow to form an alluring halo around the fixture.

**Finish:** Black wet painted stem with shade in three layered mouth-blown opal glass.

Top shade: Black wet painted with white inner side.

**Material:** Shade: Mouth-blown three layered white opal glass.

Stem and top shade: Steel.

Mounting device for pin mounting: Aluminium.

Union nut and finger screw in untreated brass with fine clockwise hairlines.

Please note the untreated brass will patinate.

**Mounting:** Cable type: Black textile cord 2x0.75 mm<sup>2</sup> with plug. Cable length: 2.2m.

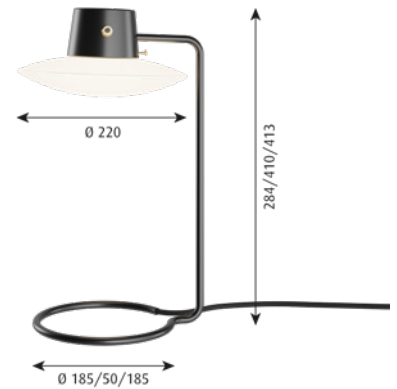
Light control: On/off switch on socket house with union nut in untreated brass.

Pin solution available for 410 mm: Cut-out dimension Ø44 mm, table thickness: 8 - 40 mm.

**Weight:** Max 1.9 kg.

**Class:** Ingress protection IP20. Electric shock protection II.

**Info notes:** Union nut and fingerscrew in untreated brass which will patinate. Pin solution for 410 mm with metal shade and 280 mm variants available upon request.



Dimensions	Light source	Finish	Class	Shade	Mounting	Order-no.	RRP €
280mm	1x20W E14	Metal Black/Opal Glass	II	W/SHADE	BASE	5744168627	924
280mm	1x20W E14	Opal	II	OPAL GLAS	BASE	5744168601	762
410mm	1x20W E14	Metal Black/Opal Glass	II	W/SHADE	BASE	5744168588	1,054
410mm	1x20W E14	Opal	II	OPAL GLAS	BASE	5744168562	892
410mm	1x20W E14	Opal	II	OPAL GLAS	PIN Ø44	5744168643	892
<b>Sparepart</b>							
AJ OXFORD TABLE FINGER SCREW BRASS						5744165552	Contact LP
AJ OXFORD TABLE UNION NUT BRASS						5744165565	Contact LP
AJ OXFORD TABLE WASHER BLACK						5744165578	Contact LP

# AJ Table

## Table lamps

**Design:** Arne Jacobsen

**Concept:** The fixture emits downward directed light. The angle of the shade can be adjusted to optimize light distribution. The shade is painted white on the inside to ensure a soft comfortable light.

**Finish:** Stainless Steel, polished. White, Black, Aubergine, Dark Green, Dark Grey, Light Grey, Midnight Blue, Pale Petroleum, Rusty Red, Yellow Ochre, wet painted.

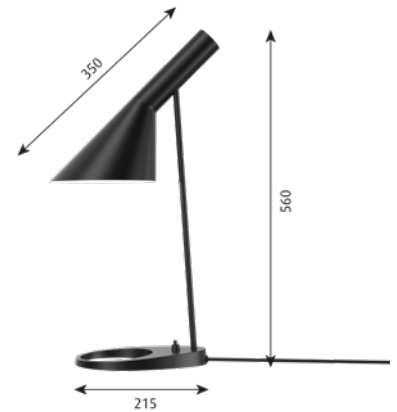
**Material:** Shade: Spun steel or stainless steel. Base: Die cast zinc or stainless steel. Stem: Steel or stainless steel.

**Mounting:** Cable type: Plastic cord with plug. Cable length: 2.4m. Light control: Switch in lamp stand.

**Weight:** Max 2,3 kg

**Class:** Ingress protection IP20. Electric shock protection II.

**Info notes:** The white version is supplied with a white cable. The other versions are supplied with a black cable.



Light source	Finish	Class	Cable type	Order-no.	RRP €
1x20W E27	Aubergine	II	BLK PL	5744169480	1,216
1x20W E27	Black	II	BLK PL	5744169435	1,216
1x20W E27	Dark Green	II	BLK PL	5744169503	1,216
1x20W E27	Dark Grey	II	BLK PL	5744169493	1,216
1x20W E27	Light Grey	II	BLK PL	5744169448	1,216
1x20W E27	Midnight Blue	II	BLK PL	5744169477	1,216
1x20W E27	Pale Petroleum	II	BLK PL	5744169516	1,216
1x20W E27	Rusty Red	II	BLK PL	5744169464	1,216
1x20W E27	Stainless Steel Polished	II	BLK PL	5744166409	1,379
1x20W E27	White	II	WHT PL	5744169422	1,216
1x20W E27	Yellow Ochre	II	BLK PL	5744169451	1,216

# Keglen Table

## Table lamps

Design: Big Ideas

**Concept:** The table lamp's distinctive conical shade has a built-in curved diffuser. This ensures an attractive and glare-free downwardly directed light. The stem morphs into the diffuser shade, folding inward and creating a beautiful organic geometry. A gentle light is also emitted upward through a discreet uniform opening in the top of the shade to create a perfect ambiance.

**Finish:** Black or white, matt, wet-painted.

**Material:** Shade: Spun aluminum. Diffuser: Injection-molded PC. Base: Die cast aluminum. Stem: Machined aluminum.

**Mounting:** Cord type: Plastic. Cord length: 2.3 m. Switch: On the base. Stepless dimming. Adapter: External with plug. Table lamp available with base or pin Ø40. Table thickness Ø40. Pin: 5-46 mm. Possibility to disable the on/off switch.

**Weight:** Max. 1,3 kg.

**Class:** Ingress protection IP20. Class II.

**Info notes:** With programming by the customer, there is a possibility to disable the switch.

An integrated memory function ensures that the lamp will return to its latest adjusted lumen output when power has been removed and restored.



Light source	Lumen	Finish	Class	Cable type	Mounting	Efficacy	Order-no.	RRP €
LED 2700-2000K D2W 8.5W	383	Black	II	BLK PL	BASE	45	5744166810	535
LED 2700-2000K D2W 8.5W	383	Black	II	BLK PL	PIN Ø40	45	5744166836	535
LED 2700-2000K D2W 8.5W	485	White	II	WHT PL	PIN Ø40	57	5744166823	535
LED 2700-2000K D2W 8.5W	485	White	II	WHT PL	BASE	57	5744166807	535
LED 3000K 8.5W	405	Black	II	BLK PL	PIN Ø40	48	5744167712	535
LED 3000K 8.5W	405	Black	II	BLK PL	BASE	48	5744167738	535
LED 3000K 8.5W	513	White	II	WHT PL	PIN Ø40	60	5744167725	535
LED 3000K 8.5W	513	White	II	WHT PL	BASE	60	5744167741	535
<b>Sparepart</b>								
Keglen Table diffuser							5744167754	11
Adaptor 12V black							5744164867	58
Adaptor 12V white							5744164870	58

# NJP Mini

## Table lamps

Design: nendo

**Concept:** The fixture emits a softly diffused downward directed light, free of glare. It fades in at a fixed light level, when turned on, and fades out, when turned off, and has a timer function to turn off the light automatically after either four or eight hours. The fixture offers a wide light distribution for its relatively small size and the white painted inner side of the shade helps reflect the light comfortably. With the stepless dimmer, the light can be adjusted to a suitable level between 15 and 100%. The arm has a stationary angle of 15° and can rotate 342° around the base, while the head can tilt and rotate to direct the light distribution.

**Finish:** White, Black, Light alu grey, Rose brown, Soft pink, Petrol blue or Taupe, powder coated.

**Material:** Base: Steel. Arm and lamp head: Aluminum.

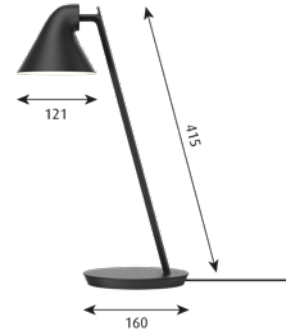
**Mounting:** Mounting: baseplate. Cable type: PVC cord. Cable length: 2,5m. Stepless dim between 15 and 100%. Timer function: 4 hours/8 hours. Light control: Switch on head. LED driver: separate, plugs into power outlet. White cord on White and Soft pink. Black cord on all other colours.

**Weight:** Max. 2,9 kg.

**Class:** Ingress protection IP20. Electric shock protection II.

**Info notes:** The arm has a stationary angle of 15°. Head can tilt and rotate. The arm can rotate 342° around the base.

A single push button located at the lamp head will control the functions on/off and dimming. Turn on/off the light with light fading in/out. Stepless dim of the light to a suitable level between 15 and 100%. Timer function to automatically turn off the light after amount of time, selectable between off/4 hours/8 hours. Function to set a fixed light level each time the lamp is connected to main power. LED driver fitted externally on cord.



Light source	Lumen	Finish	Class	Cable type	Efficacy	Order-no.	RRP €
LED 2700K 10W	418	Black	II	BLK PL	42	5744168122	625
LED 2700K 10W	418	Brown Rose	II	BLK PL	42	5744168151	625
LED 2700K 10W	418	Light Aluminium Grey	II	BLK PL	42	5744168148	625
LED 2700K 10W	418	Petrol Blue	II	BLK PL	42	5744168180	625
LED 2700K 10W	418	Soft Pink	II	WHT PL	42	5744168164	625
LED 2700K 10W	418	Taupe	II	BLK PL	42	5744168177	625
LED 2700K 10W	418	White	II	WHT PL	42	5744168135	625

# NJP Table

## Table lamps

Design: nendo

**Concept:** The fixture provides direct glare-free horizontal light while reflecting some of the light through the rear of the head, illuminating the top of the arm. The ergonomic design of the fixture head shapes the light and gives optimal light direction. A simple mechanical system provides great freedom of movement, so the light can always be set in the ideal position in the workspace. The shade is painted white on the inside, reflecting comfortable diffused light.

**Finish:** White, Black or Light Aluminium Grey, powder coated.

**Material:** Base: Steel. Arms and lamp head: Aluminium. Joints: Anodised aluminium.

**Mounting:** Cord type: Plastic. Cord length: 2m. Switch: On the fixture head. Timer function: 4 hours/8 hours. Table thickness: Ø10 Pin: 12-50mm. Ø40 Pin: 5-35mm. Clamp: up to 45mm. LED driver: separate, plugs into power outlet. The light has two built-in intensities.

**Weight:** Max. 4.8kg.

**Class:** Ingress protection IP20. Electric shock protection II.

**Info notes:** Driver fitted externally on cord. The light has two built-in intensities. The weight includes the base plate. The innovation of the LED technology is constant. The specifications mentioned are based on present technology.



Light source	Lumen	Finish	Class	Cable type	Mounting	Efficacy	Order-no.	RRP €
LED 2700K 10W	529	Black	II	BLK PL	BASE	53	5744164757	713
LED 2700K 10W	529	Black	II	BLK PL	CLAMP	53	5744164799	641
LED 2700K 10W	529	Black	II	BLK PL	PIN Ø10	53	5744164838	625
LED 2700K 10W	529	Black	II	BLK PL	PIN Ø40	53	5744164964	658
LED 2700K 10W	529	Light Aluminium Grey	II	BLK PL	BASE	53	5744162348	713
LED 2700K 10W	529	Light Aluminium Grey	II	BLK PL	CLAMP	53	5744162393	641
LED 2700K 10W	529	Light Aluminium Grey	II	BLK PL	PIN Ø10	53	5744162403	625
LED 2700K 10W	529	Light Aluminium Grey	II	BLK PL	PIN Ø40	53	5744162416	658
LED 2700K 10W	529	White	II	WHT PL	BASE	53	5744164744	713
LED 2700K 10W	529	White	II	WHT PL	CLAMP	53	5744164786	641
LED 2700K 10W	529	White	II	WHT PL	PIN Ø10	53	5744164825	625
LED 2700K 10W	529	White	II	WHT PL	PIN Ø40	53	5744164977	658
LED 3000K 10W	529	Black	II	BLK PL	PIN Ø40	53	5744164980	658
LED 3000K 10W	550	Black	II	BLK PL	BASE	55	5744164773	713
LED 3000K 10W	550	Black	II	BLK PL	CLAMP	55	5744164812	641
LED 3000K 10W	550	Black	II	BLK PL	PIN Ø10	55	5744164854	625
LED 3000K 10W	529	Light Aluminium Grey	II	BLK PL	PIN Ø40	53	5744165992	658
LED 3000K 10W	550	Light Aluminium Grey	II	BLK PL	CLAMP	55	5744165866	641
LED 3000K 10W	550	Light Aluminium Grey	II	BLK PL	PIN Ø10	55	5744165882	625
LED 3000K 10W	550	Light Aluminium Grey	II	BLK PL	BASE	55	5744165905	713
LED 3000K 10W	529	White	II	WHT PL	PIN Ø40	53	5744164993	658
LED 3000K 10W	550	White	II	WHT PL	CLAMP	55	5744164809	641
LED 3000K 10W	550	White	II	WHT PL	PIN Ø10	55	5744164841	625
LED 3000K 10W	550	White	II	WHT PL	BASE	55	5744164760	713
<b>Sparepart</b>								
NJP bushing plast							5744165183	15
NJP replacement kit LED w/wire 27K							5744165947	25
NJP replacement kit LED w/wire 3K							5744165976	25
NJP replacement kit print 12V							5744165934	39
Adaptor 12V black							5744164867	58
Adaptor 12V white							5744164870	58
<b>Accessories</b>								
NJP TABLE BASE WHT							5744164689	134
NJP TABLE BASE BLK							5744164692	134

**Accessories**

NJP TABLE BASE LIGHT GREY	5744165808	134
NJP TABLE PIN Ø10	5744164728	45
NJP TABLE CLAMP WHT	5744164702	61
NJP TABLE CLAMP BLK	5744164715	61
NJP TABLE CLAMP LIGHT GREY	5744165824	61
NJP TABLE PIN Ø40	5744165170	78

# Panthella MINI

## Table lamps

Design: Verner Panton

**Concept:** The fixture emits a glare-free, soft and comfortable illumination. The metal shade versions direct the light directly downwards and create a pleasant illumination due to the inner white painted shade and the reflection from the trumpet-shaped stem. The opal acrylic produces a diffused comfortable light due to the translucent shade, the downward reflection from the inner shade and the reflection from the trumpet-shaped stem.

**Finish:** White opal acrylic shade with white stand.

Grey opal acrylic shade with high lustre chrome stand.

High lustre chrome shade and stand.

Brass metallised shade and stand.

Pale Rose, Pale Blue, Coral, White, Black or Orange, powder coated, shade and stand.

**Material:** Shade: Injection moulded acrylic or deep drawn steel. Base and

Housing: Die cast aluminium.

Diffuser: Injection moulded opal pmma.

**Mounting:** Plastic cord. Cable length: 2.5m.

LED-driver: Separate, plugs into power outlet.

Light control: In-line switch.

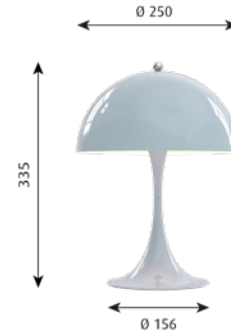
Timer function: 4 hours/8 hours.

Stepless dimming between 15 and 100%.

**Weight:** Max. 1.2kg.

**Class:** Ingress protection IP20. Electric shock protection II.

**Info notes:** White cord on white opal, white metal, brass metallised and Pale Rose versions. Black cord on all other versions. LED driver fitted externally on cord. Turn on/off the light with light fading in/out. Stepless dim of the light to a suitable level between 15 and 100%. Timer function to automatically turn off the light after an amount of time, selectable between off/4 hours/8 hours. Function to set a fixed light level each time the lamp is connected to main power. For LED replacement kit please contact Louis Poulsen.



Light source	Lumen	Finish	Class	Cable type	Efficacy	Order-no.	RRP €
LED 2700K 10W	428	Black	II	BLK PL	43	5744162432	593
LED 2700K 10W	460	Brass Metallised	II	WHT PL	46	5744167110	973
LED 2700K 10W	460	Coral	II	BLK PL	46	5744612652	593
LED 2700K 10W	589	Grey Opal Acryl	II	BLK PL	59	5744168038	690
LED 2700K 10W	428	High Lustre Chrome Plated	II	BLK PL	43	5744162555	787
LED 2700K 10W	428	Orange	II	BLK PL	43	5744162474	593
LED 2700K 10W	460	Pale Blue	II	BLK PL	46	5744612649	593
LED 2700K 10W	460	Pale Rose	II	WHT PL	46	5744162937	593
LED 2700K 10W	460	White	II	WHT PL	46	5744162513	593
LED 2700K 10W	589	White Opal Acryl	II	WHT PL	59	5744162461	593
<b>Sparepart</b>							
Panthella MINI Yellow/Green shade						5744166247	131
Panthella MINI White shade						5744166250	131
Panthella MINI Black shade						5744166263	131
Panthella MINI Blue/Green shade						5744166276	131
Panthella MINI Pink shade						5744166289	131
Panthella MINI Blue shade						5744166292	131
Panthella MINI Red shade						5744166302	131
Panthella MINI Yellow shade						5744166315	131
Panthella MINI Orange shade						5744166328	131
Panthella MINI Violet shade						5744166331	131
Panthella MINI Opal shade						5744166344	131
Panthella MINI Coral shade						5744612717	131
Panthella MINI Pale Rose shade						5744902087	131
Panthella MINI Opal Grey shade						5744168054	167
Panthella MINI diffuser						5744161828	19



**Sparepart**

Panthella MINI top nut	5744166234	19
Panthella MINI Chrome shade	5744162568	202
Panthella MINI replacement kit led w/wire	5744166360	25
Panthella MINI top nut brass PVD	5744167660	25
Panthella MINI shade brass PVD	5744167589	250
Panthella MINI white cord	5744168436	27
Panthella MINI replacement kit print V2	5744162542	39
Panthella MINI replacement kit PRINT	5744166357	39
Adaptor 12V black	5744164867	58
Adaptor 12V white	5744164870	58
Panthella MINI Pale Blue shade	5744612665	81

# Panthella Portable V2

## Table lamps

**Design:** Verner Panton

**Concept:** This portable table lamp emits a glare-free, soft, and comfortable light. The metal shade variants reflects the light downwards and provides pleasant illumination created by the inner white painted shade and the reflection from the trumpet-shaped stem.

The opal acrylic variants provides gentle illumination and subtle ambience due to the transparency and the reflection of the downward light on the inner side of the shade,

**Finish:** White Opal Acrylic shade with white stand.  
 Grey Opal Acrylic shade with high lustre chrome stand.  
 Pale Rose, Pale Blue or Coral, powder coated.

**Material:** Shade: Deep drawn steel or injection moulded opal grey acrylic or white opal acrylic.

Base and housing: Die cast aluminium

**Mounting:** Cable length: 1.5m.

Power: USB cable for standard USB adapter (min. 1.5A) or Qi wireless charger.

White light indicator on base when charging.

Light control: Switch on base.

Batteries: 3 x AA NiMH , rechargeable and replaceable.

Battery lifetime: 5 hours @ 100%.

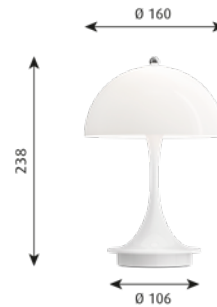
Step dim, short press: 0%/10%/33%/100%.

Function to set a fixed light level.

**Weight:** Max. 0,5 kg.

**Class:** Ingress protection IP44. Electric shock protection III.

**Info notes:** Please note that Panthella Portable comes with a USB cable but without adapter and Qi charger. Separate USB adapter is available as accessory. Compatible with standard USB adapters (Min 1.5A) and Qi wireless chargers. White cable for White Opal and Pale Rose variants. Black cable for other variants.



Light source	Lumen	Finish	Class	Cable type	Efficacy	Order-no.	RRP €
LED 2700K 2.5W	81	Black	III	BLK PL	32	5744612571	373
LED 2700K 2.5W	81	Coral	III	BLK PL	32	5744612623	373
LED 2700K 2.5W	150	Grey Opal Acryl	III	BLK PL	60	5744168070	421
LED 2700K 2.5W	150	Opal	III	WHT PL	60	5744166768	373
LED 2700K 2.5W	81	Orange	III	BLK PL	32	5744612584	373
LED 2700K 2.5W	81	Pale Blue	III	BLK PL	32	5744612610	373
LED 2700K 2.5W	81	Pale Rose	III	WHT PL	32	5744162924	373
LED 2700K 2.5W	81	White	III	WHT PL	32	5744612607	373

### Sparepart

Panthella Portable top nut	5744166755	10
Panthella Portable diffuser w/screws	5744168083	12
Panthella Portable shade pale blue	5744612704	131
Panthella Portable V2 rubber pad w/screws	5744612762	6
Panthella Portable shade opal	5744166742	81
Panthella Portable Coral shade	5744612678	81
Panthella Portable shade opal grey	5744168096	90

### Accessories

Panthella Portable USB adaptor	5744166674	50
Black USB adaptor	5744168410	50

# Panthella Table

## Table lamps

Design: Verner Panton

**Concept:** The fixture emits a glare-free, soft and comfortable illumination. The opal acrylic shade leaves a diffused comfortable light atmosphere due to the translucent shade, the downward reflection from the inner shade and the reflection from the trumpet stem.

**Finish:** White opal acrylic.

**Material:** Shade: Injection moulded white opal acrylic. Base: White, injection moulded ABS. Housing: White, injection moulded ABS. Stem: White, steel. Diffuser : Injection moulded opal pmma.

**Mounting:** Cable type: Plastic cord with plug. Cable length: 2.5m. Light control: On/off switch on cord. Diffuser with bajonet lock.

**Weight:** Max. 2.5kg.

**Class:** Ingress protection IP20. Electric shock protection II.



Light source	Finish	Class	Order-no.	RRP €
1x28W E27	White Opal Acryl	II	5744167042	957
<b>Sparepart</b>				
Panthella Table shade holder clear			5744610544	122
Panthella table shade V2021			5744167505	267
Panthella table bajonetbase V2021			5744167482	30
Panthella Floor/Table top nut chrome			5744610049	56
Panthella table diffuser V2021			5744167479	64

# Panthella Table 320

## Table lamps

Design: Verner Panton

**Concept:** The fixture emits a soft, comfortable, glare-free, light. The metal-shade versions direct the light directly downward, creating a pleasant illumination due to the inner white-painted shade and the reflection from the trumpet-shaped stem. The opal acrylic produces a diffused, comfortable light due to the translucent shade, the downward reflection from the inner shade, and the reflection from the trumpet-shaped stem.

**Finish:** White opal acrylic shade with white stand.  
 Grey opal acrylic shade with high-luster chrome stand.  
 High-luster chrome shade and stand.  
 Brass metallised shade and stand.

**Material:** Shade: Injection-molded acrylic or deep-drawn steel.  
 Base and housing: Cast aluminum.  
 Diffuser: Injection-molded opal pmma.

**Mounting:** Cord type: Plastic cord with plug.  
 Cord length: 2.5 m.  
 Light control: On/off switch on cord.  
 Diffuser with bajonet lock.

**Weight:** Max. 1.5kg.

**Class:** Ingress protection IP20. Electric shock protection II.

**Info notes:** White cord on white opal and metallised brass versions. Black cord on grey opal and chrome versions.



Light source	Finish	Class	Cable type	Order-no.	RRP €
1x7.5W E14	Brass Metallised	II	WHT PL	5744167178	1,177
1x7.5W E14	Grey Opal Acryl	II	BLK PL	5744168012	868
1x7.5W E14	High Lustre Chrome Plated	II	BLK PL	5744167152	973
1x7.5W E14	White Opal Acryl	II	WHT PL	5744167136	730
<b>Sparepart</b>					
Panthella Table 320 bayonet base				5744167602	16
Panthella Table 320 shade opal				5744167615	162
Panthella Table 320 shade opal grey				5744168041	232
Panthella Table 320 top nut chrome				5744167644	25
Panthella Table 320 shade chrome				5744167631	268
Panthella Table 320 top nut brass PVD				5744167657	35
Panthella Table 320 diffuser				5744167592	39
Panthella Table 320 shade brass PVD				5744167628	429

# PH 2/1 Table

## Table lamps

**Design:** Poul Henningsen

**Concept:** The fixture provides soft lighting. PH 2/1 is designed on the principle of a reflecting multi-shade system, creating harmonious and glare-free lighting. The shade design is based on a logarithmic spiral, with the centre of the light source placed in the spiral's focal point.

**Finish:** Brass metallised, black metallised or high lustre chrome plated. White opal glass.

**Material:** Shades: Mouth-blown white opal glass. Top plate: Brass metallised, black metallised or high lustre chrome plated, machined brass. Base and stem: Brass metallised, black metallised or high lustre chrome plated, brass.

**Mounting:** Cable type: Vinyl cord with plug. Cable length: 1,75m. Light control: In-line switch on cord.

**Weight:** Max. 1,5kg.

**Class:** Ingress protection IP20. Electric shock protection II w/o ground.



Light source	Finish	Class	Cable type	Order-no.	RRP €
1x33W G9	Black Metallised	II	BLK PL	5744166153	1,096
1x33W G9	Brass Metallised	II	WHT PL	5744611190	1,096
1x33W G9	High Lustre Chrome Plated	II	BLK PL	5744164278	973
<b>Sparepart</b>					
PH 2-1, Table shadeholder chrome				5744164320	143
PH 2-1, Table shadeholder black PVD				5744164333	164
PH 2-1, Table shadeholder brass PVD				5744164362	164
PH 2-1, lower shade glass				5741084953	211
PH 2-1, middle shade glass				5741084940	236
PH 2-1, lower shade amber glass				5744169396	240
PH 2-1, middle shade amber glass				5744169406	271
PH 2-1, top shade glass Table/Wall				5741084937	376
PH 2-1, top shade amber glass Table				5744169419	433
PH 2/1 Table, diffuser glass				5744164317	76

# PH 3/2 Table

## Table lamps

**Design:** Poul Henningsen

**Concept:** The fixture is designed based on the principle of a reflective three-shade system, which directs the majority of the light downwards. The shades are made of mouth-blown opal three-layer glass, which is glossy on top and sandblasted matt on the underside, giving a soft and diffused light distribution.

**Finish:** Brass metallised, black metallised or high lustre chrome plated. White opal glass.

**Material:** Shades: Mouth-blown white opal glass. Top plate: Brass metallised, black metallised or high lustre chrome plated, spun brass. Base and stem: Brass metallised, black metallised or high lustre chrome plated, brass.

**Mounting:** Cable type: Plastic cord with plug. Cable length: 2.1m. Light control: In-line switch on cord.

**Weight:** Max. 2.5kg.

**Class:** Ingress protection IP20. Electric shock protection II w/o ground.



Light source	Finish	Class	Cable type	Order-no.	RRP €
1x40W E14	Black Metallised	II	BLK PL	5744610861	1,541
1x40W E14	Brass Metallised	II	WHT PL	5744611213	1,541
1x40W E14	High Lustre Chrome Plated	II	BLK PL	5744162801	1,411
<b>Sparepart</b>					
PH 3-2, lower shade glass				5741481608	215
PH 3-2, middle shade glass				5741481598	261
PH 3-2, lower shade amber glass				5744162623	295
PH 3-2, middle shade amber glass				5744162610	336
PH 3-2, Table/Wall top shade glass				5741481585	406
PH 3-2, top shade amber glass Table				5744162607	499
Finger screw SS M3X12 (3pcs) lower				5744610528	9
Finger screw SS M2X8 (3pcs) middle				5744611116	9
Finger screw brass raw M2X8 (3pcs)middle				5744611271	9
Finger screw brass raw M3X12 (3pcs)lower				5744611284	9

# PH 3½-2½ Glass Table

## Table lamps

**Design:** Poul Henningsen

**Concept:** The fixture is designed based on the principle of a reflective three-shade system, which directs the majority of the light downwards. The shades are made of mouth-blown opal three-layer glass, which is glossy on top and sandblasted matt on the underside, giving a soft and diffused light distribution.

**Finish:** Brass metallised, black metallised or high lustre chrome plated. White opal glass.

**Material:** Shades: Mouth-blown white opal glass. Top plate: Brass metallised, black metallised or high lustre chrome plated, spun brass. Base and stem: Brass metallised, black metallised or high lustre chrome plated, brass.

**Mounting:** Cable type: Plastic cord with plug. Cable length: 2.5m. Light control: In-line switch on cord.

**Weight:** Max. 3kg.

**Class:** Ingress protection IP20. Electric shock protection I w/ ground.



Light source	Finish	Class	Cable type	Order-no.	RRP €
1x60W E14	Black Metallised	I	BLK PL	5744166195	1,817
1x60W E14	Brass Metallised	I	WHT PL	5744611239	1,817
1x60W E14	High Lustre Chrome Plated	I	BLK PL	5744166179	1,671
<b>Sparepart</b>					
PH 3½-2½ glass lower shade				5744162254	320
PH 3½-2½ glass middle shade				5744162241	371
PH 3½ glass Floor/Table top shade				5744162267	542
Finger screw SS M3X12 (3pcs) lower				5744610528	9
Finger screw SS M2X8 (3pcs) middle				5744611116	9
Finger screw brass raw M2X8 (3pcs)middle				5744611271	9
Finger screw brass raw M3X12 (3pcs)lower				5744611284	9

# PH 3½-2½ Table

## Table lamps

**Design:** Poul Henningsen

**Concept:** The louvre is 100% glare-free, with a design based on the principle of a reflective three-shade system, which directs most of the light downwards. The white painted lower surface of the top shade gently directs the light downwards. The two bottom mouth-blown opal glass shades ensure a large glare-free light surface, making optimum use of the light source to provide comfortable, functional lighting. The opal glass shades are shiny on the outside and matt on the inside.

**Finish:** Red, green, yellow and white, powder coated.

**Material:** Top shade: Spun aluminium. Other shades: Mouth-blown white opal glass. Shade holder: Silk matt brown brass. Stand: Silk matt brown brass.

**Mounting:** Cord type: Plastic with plug. Cord length: 2.5 m. Switch: On the cord.

**Weight:** Max. 3.5kg.

**Class:** Ingress protection IP20. Electric shock protection II w/o ground.



Light source	Finish	Class	Cable type	Order-no.	RRP €
1x60W E14	Green	II	BLK PL	5744164919	1,622
1x60W E14	Red	II	BLK PL	5744164883	1,622
1x60W E14	White	II	BLK PL	5744164896	1,622
1x60W E14	Yellow	II	BLK PL	5744164906	1,622
<b>Sparepart</b>					
PH 3½-2½ glass lower shade				5744162254	320
PH 3½-2½ glass middle shade				5744162241	371
PH 3½ top shade red				5741095434	410
PH 3½ top shade green				5741095463	410
PH 3½ top shade white				5741095492	410
PH 3½ top shade yellow				5741095528	410
Finger screw OB M3X12 (3pcs) lower				5744611129	9
Finger screw OB M2X12 (3pcs) middle				5744611132	9



# PH 4/3 Table

## Table lamps

**Design:** Poul Henningsen

**Concept:** The fixture is designed based on the principle of a reflective three-shade system, which directs the light downwards. The shades are made of metal and painted white to ensure diffused, comfortable light distribution.

**Finish:** White, powder coated. High lustre chrome plated.

**Material:** Shades: Spun aluminium. Base: High lustre chrome plated, spun brass. Stem: High lustre chrome plated, steel. Triangular piece: Black sandblasted, injection moulded bakelite.

**Mounting:** Cable type: Plastic cord with plug. Cable length: 2.9m. Light control: In-line switch on cord.

**Weight:** Max. 2kg.

**Class:** Ingress protection IP20. Electric shock protection II w/o ground.



Light source	Finish	Class	Order-no.	RRP €
1x100W E27	White	II	5744615002	1,249
<b>Sparepart</b>				
PH 4-3, Table lampholder ass.			5744610696	139
PH 4-3, Table nipple			5744610515	18
PH 4-3, Table middle/lower shadeset new			5744610829	216
PH 4-3, Table top shade new			5744610926	273
PH 4-3, Table finger screw w/washer			5744610230	32
PH 4-3, Table lampholder bracket			5744610706	33

# PH 4½-3½ Glass Table

## Table lamps

Design: Poul Henningsen

**Concept:** The fixture is designed based on the principle of a reflective three-shade system, which directs the majority of the light downwards. The shades are made of mouth-blown opal three-layer glass, which is glossy on top and sandblasted matt on the underside, giving a soft and diffused light distribution.

**Finish:** High lustre chrome plated. White opal glass.

**Material:** Shades: Mouth-blown white opal glass. Anti glare ring: Purple, spun aluminium. Top plate: High lustre chrome plated, spun brass. Base: High lustre chrome plated, spun brass. Stem: High lustre chrome plated, steel.

**Mounting:** Cable type: Plastic cord with plug. Cable length: 2.7m. Light control: Switch in lamp stand.

**Weight:** Max. 9kg.

**Class:** Ingress protection IP20. Electric shock protection II w/o ground.



Light source	Finish	Class	Order-no.	RRP €
1x100W E27	High Lustre Chrome Plated	II	5744161501	4,097
<b>Sparepart</b>				
PH 4½-3½ glass Table/Floor topshade acc			5744610722	1,774
Finger screw SS M3X16 (3pcs) middle			5744610845	11
PH 4½-3½ glass Table/Floor lower shade			5744610625	565
PH 4½-3½ glass Table/Floor middle shade			5744610612	757
Finger screw SS M3X12 (3pcs) lower			5744610528	9

# VL38 Table

## Table lamps

**Design:** Vilhelm Lauritzen

**Concept:** The fixture emits downward directed light. The angle of the shade can be adjusted to optimize light distribution. The shade is painted white on the inside to ensure a soft comfortable light.

**Finish:** Brushed brass. Black or White, powder coated.

**Material:** Base: Die cast aluminium Shade: Spun aluminium. Stem: Brushed brass.

**Mounting:** Cable type: Plastic cord. Cable length: 3,3m. Light control: Switch in the lamp stand. 2 light levels. Timer function: 4 hours/8 hours. LED driver: separate, plugs into power outlet.

**Weight:** Max. 3 kg.

**Class:** Ingress protection IP20. Electric shock protection II w/o ground.

**Info notes:** Please note that the brass surfaces are untreated. This means that the surface will change over time and develop a patina. Function to set a fixed light level each time the lamp is connected to main power. LED driver fitted externally on cord. Two light levels 50% or 100%. Timer function to automatically turn off the light after amount of time, selectable between off/4 hours/8 hours. Adjustable (up and down) lamp shade. The innovation of the LED technology is constant. The specifications mentioned are based on present technology.



Light source	Lumen	Finish	Class	Efficacy	Order-no.	RRP €
LED 2700K 9.6W	416	Black	II	43	5744163211	730
LED 2700K 9.6W	416	White	II	43	5744162322	730
<b>Sparepart</b>						
VL38 replacement kit LED w/wire					5744165963	25
VL38 replacement kit print V2					5744162429	39
VL38 replacement kit print					5744165950	39
Adaptor 12V black					5744164867	58
Adaptor 12V white					5744164870	58

# Yuh Table

## Table lamps

Design: GamFratesi

**Concept:** The fixture primarily provides glare-free downward directed light. The angle of the shade can be adjusted to optimize light distribution. A slim opening in the top of the shade provides soft, ambient upward illumination. A mechanical system provides great freedom of movement, so the light can always be set in the ideal position in the workspace, living room etc. Build-in LED technology provides a high quality of light with stepless dimming at 15 to 100%. Timer function to automatically turn off the light after amount of time, selectable between off/4 hours/8 hours. Function to set a fixed light level each time the lamp is connected to main power. In the upper part of the tube a button acts as switch and dimmer.

**Finish:** White or black: Matt wet painted.  
Brass/Marble versions: White or black shade, matt wet painted. Brushed brass stem, clear lacquered. Matt marble base.

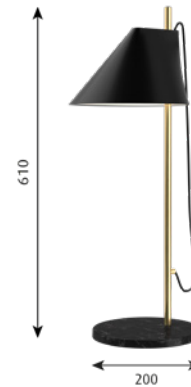
**Material:** Shade: Die cast aluminium. Base: Die cast aluminium (wet painted) or brushed marble. Marble: Italian Nero Margiua or White Carrara. Stem: Extruded brass (wet painted or clear lacquered).

**Mounting:** Cable type: Plastic cord. Cable length: 2,5m. Stepless dim between 15 and 100%. Timer function: 4 hours/8 hours. Light control: Switch on top of the stem. LED driver: separate, plugs into power outlet.

**Weight:** Max. 3.6 kg.

**Class:** Ingress protection IP20. Electric shock protection II w/o ground.

**Info notes:** A single push button located at the lamp will control the functions on/off and dimming. Turn on/off the light with light fading in/out. Stepless dim of the light to a suitable level between 15 and 100%. Timer function to automatically turn off the light after amount of time, selectable between off/4 hours/8 hours. Function to set a fixed light level each time the lamp is connected to main power. LED driver fitted externally on cord. The innovation of the LED technology is constant. The specifications mentioned are based on present technology.



Light source	Lumen	Finish	Class	Mounting	Efficacy	Order-no.	RRP €
LED 2700K 10W	446	Black	II	BLACK BASE	45	5744612555	843
LED 2700K 10W	446	Brass/Black	II	BLACK MARBLE BASE	45	5744162652	989
LED 2700K 10W	446	Brass/White	II	WHITE MARBLE BASE	45	5744162665	989
LED 2700K 10W	446	White	II	WHITE BASE	45	5744612568	843
<b>Sparepart</b>							
Yuh replacement kit LED w/wire						5744162377	25
Yuh replacement kit print						5744162364	39
Adaptor 12V black						5744164867	58
Adaptor 12V white						5744164870	58

# AJ Eklipta

## Wall lamps

Design: Arne Jacobsen

**Concept:** The fixture emits soft comfortable light. The glass is designed to provide a uniformly lit surface. The three-layer mouth-blown opal glass shade has a transparent edge, providing a decorative halo of light around the fixture.

**Finish:** White, powder coated. White opal glass.

**Material:** Ceiling/Wall box: Die cast aluminium or spun aluminium. Diffuser: Mouth-blown white opal glass.

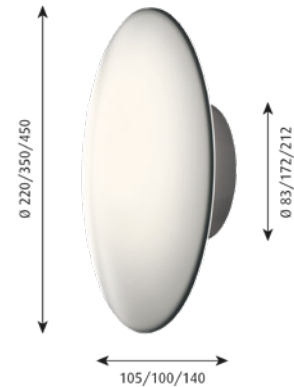
**Mounting:** Terminal block: Ø 220: 3x2,5mm<sup>2</sup>, Ø 350/Ø 450: 5x2,5mm<sup>2</sup>. Looping: Approved, Ø 220 mm: Max. 3x1,5mm<sup>2</sup>, Ø 350/Ø 450: Max. 5x1,5mm<sup>2</sup>. Ballast positioning: In ceiling/wall box.

**Weight:** Max. 4kg.

**Class:** Ingress protection. LED ceiling/wall: IP20. Ø220: IP20. E27 Ø350/450 Ceiling: IP20. E27 Ø350/450 Wall: IP44. Electric shock protection I w. ground.

**Info notes:** Only Wall mounted E27 versions for outdoor use. For LED fixtures without glass, Emergency lighting or LED replacement kits please contact Louis Poulsen. The innovation of the LED technology is constant. The specifications mentioned are based on present technology.

Ø220: Compatible with leading edge mains dimmers. Please note that low power consumption on some products can affect dimming properties.



Dimensions	Light source	Lumen	Finish	Class	Shield/Diffuser	Body	Mounting	Lighting control	Efficacy	Order-no.	RRP €
Ø 220	G9		White	I	WHT OPAL	BOX W/O SIDE CABLE HOLES	WALL & CEILING			5743155563	544
Ø 220	LED 2700K 7.8W	324	White	I	WHT OPAL	BOX W/O SIDE CABLE HOLES	WALL & CEILING		42	5743591981	576
Ø 220	LED 3000K 7.6W	334	White	I	WHT OPAL	BOX W/O SIDE CABLE HOLES	WALL & CEILING		44	5743591994	576
Ø 350	1x60W E27		White	I	WHT OPAL	BOX W/SIDE CABLE HOLES	WALL & CEILING			5743155372	641
Ø 350	LED 3000K 8.8W		White	I	WHT OPAL	BOX W/SIDE CABLE HOLES	WALL & CEILING	MOTION SENSOR **		-	Contact LP
Ø 350	LED 3000K 8.8W	737	White	I	WHT OPAL	BOX W/SIDE CABLE HOLES	WALL & CEILING	DALI	84	5743592207	1,114
Ø 450	1x60W E27		White	I	WHT OPAL	BOX W/SIDE CABLE HOLES	WALL & CEILING			5743155424	836
Ø 450	LED 3000K 23W		White	I	WHT OPAL	BOX W/SIDE CABLE HOLES	WALL & CEILING	MOTION SENSOR **		-	Contact LP
Ø 450	LED 3000K 23W	1770	White	I	WHT OPAL	BOX W/SIDE CABLE HOLES	WALL & CEILING	DALI	77	5743168987	1,508
<b>Sparepart</b>											
AJ Eklipta Ø220 replacement kit LED 27K90										5743156669	136
AJ Eklipta Ø220 replacement kit LED 3K90										5743156889	136
AJ Eklipta Ø350 replacement kit LED 3K90										5743156737	291
AJ Eklipta Ø220 glass										5743590005	313
AJ Eklipta Ø350 glass										5743590018	338
AJ Eklipta Ø450 glass										5743590021	475
AJ Eklipta Ø220 diffuser KIT										5743591305	89

\*\*Please specify upon ordering.

# AJ Wall

## Wall lamps

Design: Arne Jacobsen

**Concept:** The fixture emits downward directed light. The angle of the shade and rotation can be adjusted to optimize light distribution. The shade is painted white on the inside to ensure a soft comfortable light.

**Finish:** Stainless Steel, polished. White, Black, Aubergine, Dark Green, Dark Grey, Light Grey, Midnight Blue, Pale Petroleum, Rusty Red, Yellow Ochre, wet painted.

**Material:** Shade: Spun steel or stainless steel. Wall box: Spun steel or deep drawn stainless steel. Arm: Steel or stainless steel.

**Mounting:** Mounting with cord and plug or for hardwiring.  
With cord: Cord with plug. Cord length: 2.4m. Light control: On/off switch on wall box.

Without cord for hardwiring: Wall bracket for mounting on wall. Light control: Two options. Either with on/off switch on wall box or without switch on wall box with turn on/off at main switch

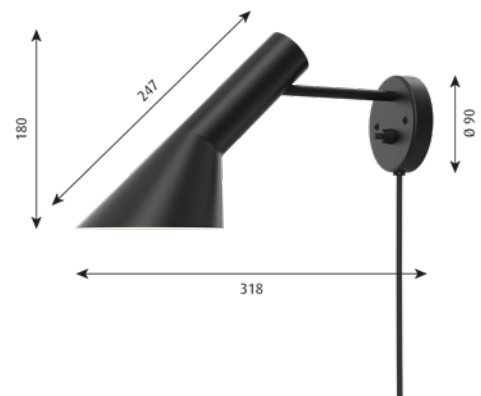
**Weight:** Max. 1kg.

**Class:** Ingress protection IP20.

With cord and plug: Electric shock protection II.

For hardwiring: Electric shock protection I.

**Info notes:** The white version is supplied with a white cable. The other versions are supplied with a black cable.



Light source	Finish	Class	Shade	Switch/Plug	Cable type	Order-no.	RRP €
1x20W E14	Aubergine	I	TILTABLE/ROTATABLE	W/O SWITCH	W/O CORD	5743150788	941
1x20W E14	Aubergine	I	TILTABLE/ROTATABLE	W/SWITCH	W/O CORD	5743150924	941
1x20W E14	Aubergine	II	TILTABLE/ROTATABLE	W/SWITCH	W/CORD	5743150500	941
1x20W E14	Black	I	TILTABLE/ROTATABLE	W/O SWITCH	W/O CORD	5743150733	941
1x20W E14	Black	I	TILTABLE/ROTATABLE	W/SWITCH	W/O CORD	5743150872	941
1x20W E14	Black	II	TILTABLE/ROTATABLE	W/SWITCH	W/CORD	5743150458	941
1x20W E14	Dark Green	I	TILTABLE/ROTATABLE	W/O SWITCH	W/O CORD	5743150801	941
1x20W E14	Dark Green	I	TILTABLE/ROTATABLE	W/SWITCH	W/O CORD	5743150940	941
1x20W E14	Dark Green	II	TILTABLE/ROTATABLE	W/SWITCH	W/CORD	5743150526	941
1x20W E14	Dark Grey	I	TILTABLE/ROTATABLE	W/O SWITCH	W/O CORD	5743150791	941
1x20W E14	Dark Grey	I	TILTABLE/ROTATABLE	W/SWITCH	W/O CORD	5743150937	941
1x20W E14	Dark Grey	II	TILTABLE/ROTATABLE	W/SWITCH	W/CORD	5743150513	941
1x20W E14	Light Grey	I	TILTABLE/ROTATABLE	W/O SWITCH	W/O CORD	5743150746	941
1x20W E14	Light Grey	I	TILTABLE/ROTATABLE	W/SWITCH	W/O CORD	5743150885	941
1x20W E14	Light Grey	II	TILTABLE/ROTATABLE	W/SWITCH	W/CORD	5743150461	941
1x20W E14	Midnight Blue	I	TILTABLE/ROTATABLE	W/O SWITCH	W/O CORD	5743150775	941
1x20W E14	Midnight Blue	I	TILTABLE/ROTATABLE	W/SWITCH	W/O CORD	5743150911	941
1x20W E14	Midnight Blue	II	TILTABLE/ROTATABLE	W/SWITCH	W/CORD	5743150490	941
1x20W E14	Pale Petroleum	I	TILTABLE/ROTATABLE	W/O SWITCH	W/O CORD	5743150814	941
1x20W E14	Pale Petroleum	I	TILTABLE/ROTATABLE	W/SWITCH	W/O CORD	5743150953	941
1x20W E14	Pale Petroleum	II	TILTABLE/ROTATABLE	W/SWITCH	W/CORD	5743150539	941
1x20W E14	Rusty Red	I	TILTABLE/ROTATABLE	W/O SWITCH	W/O CORD	5743150762	941
1x20W E14	Rusty Red	I	TILTABLE/ROTATABLE	W/SWITCH	W/O CORD	5743150908	941
1x20W E14	Rusty Red	II	TILTABLE/ROTATABLE	W/SWITCH	W/CORD	5743150487	941
1x20W E14	Stainless Steel Polished	I	TILTABLE/ROTATABLE	W/O SWITCH	W/O CORD	5743150856	998
1x20W E14	Stainless Steel Polished	I	TILTABLE/ROTATABLE	W/SWITCH	W/O CORD	5743150995	998
1x20W E14	Stainless Steel Polished	II	TILTABLE/ROTATABLE	W/SWITCH	W/CORD	5743150034	998
1x20W E14	White	I	TILTABLE/ROTATABLE	W/O SWITCH	W/O CORD	5743150720	941
1x20W E14	White	I	TILTABLE/ROTATABLE	W/SWITCH	W/O CORD	5743150869	941
1x20W E14	White	II	TILTABLE/ROTATABLE	W/SWITCH	W/CORD	5743150445	941
1x20W E14	Yellow Ochre	I	TILTABLE/ROTATABLE	W/O SWITCH	W/O CORD	5743150759	941
1x20W E14	Yellow Ochre	I	TILTABLE/ROTATABLE	W/SWITCH	W/O CORD	5743150898	941
1x20W E14	Yellow Ochre	II	TILTABLE/ROTATABLE	W/SWITCH	W/CORD	5743150474	941

# Keglen Wall

## Wall lamps

Design: Big Ideas

**Concept:** The wall lamp's distinctive conical shade has a built-in curved diffuser. This ensures an attractive and glare-free light. A gentle light is also emitted upward through a discreet uniform opening in the top of the shade to create a perfect ambiance. The fixture can be mounted facing downward to direct the light to a specific spot, or upward for indirect light.

**Finish:** Black or white, matt, wet-painted.

**Material:** Shade: Spun aluminum. Diffuser: Injection-molded PC. Wall box: Die cast aluminum.

**Mounting:** Cord type: Plastic. Cord length: 2.4 m. Switch: On the wall box. Stepless dimming. Adapter: Integrated into the wall box. Mounting with cord and plug or for hardwiring. Possibility to disable the on/off switch. Head can rotate +/- 45° sideways.

**Weight:** Max. 1 kg.

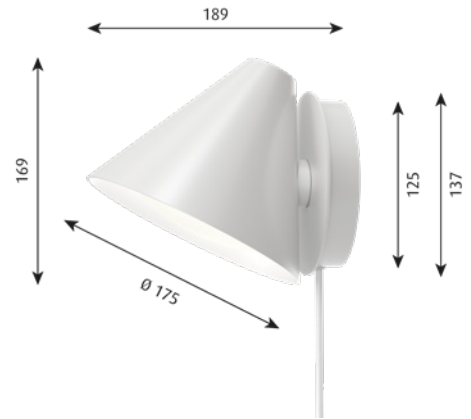
**Class:** Ingress protection IP20. Class II.

**Info notes:** Mounting with cord and plug or for hardwiring.

With programming by the customer, there is a possibility to disable the switch.

An integrated memory function ensures that the lamp will return to its latest adjusted lumen output when power has been removed and restored.

Head can rotate +/- 45° sideways.



Light source	Lumen	Finish	Class	Shade	Cable type	Efficacy	Order-no.	RRP €
LED 2700-2000K D2W 8.5W	338	Black	II	ROTATABLE	BLK PL	40	5743150063	567
LED 2700-2000K D2W 8.5W	457	White	II	ROTATABLE	WHT PL	54	5743150050	567
LED 3000K 8.5W	358	Black	II	ROTATABLE	BLK PL	42	5743151745	567
LED 3000K 8.5W	484	White	II	ROTATABLE	WHT PL	57	5743151761	567

### Sparepart

Keglen Ø175 Wall diffuser

5743151787

11

# LP Grand Wall

## Wall lamps

Design: Christian Flindt

**Concept:** The circular luminaire emits a combination of softly diffused, glare-free, downwardly directed light and reflected indirect light from its curved upper rings. A large angled reflector encircles the diffuser and reduces the contrast around the edge. The top reflector is perfectly curved to distribute uplight at a broad angle. A colored outer shade surrounds the reflector and creates an interreflection of light, resulting in a graceful glow on the outside of the top and bottom reflectors. In total, it creates four rings of light surrounding the central diffuser.

**Finish:** Reflector: Matte-white satin finish.  
Outer shade (outside): Matte (black and champagne) or gloss (white). Wet-painted surface. Diffuser: Glossy.

**Material: Ø320:**  
Top reflector: ABS.  
Bottom reflector: ABS.  
Outer shade: ABS.  
Diffuser: PMMA.  
Housing: Die-cast Aluminum.

**Ø580:**  
Top reflector: ABS.  
Bottom reflector: PE.  
Housing: ABS.  
Outer shade: ABS.  
Diffuser: PMMA.

**Mounting: Ø320:**  
Cable entries: Rear or side-entry.  
Driver integrated into ceiling/wall box.  
Looping: Max. 5 x 2.5 mm<sup>2</sup>.

**Ø580:**  
Wall bracket: Yes.  
Looping: No.

**Weight:** Max. Ø320: 2,6kg.  
Max. Ø580: 6 kg.  
Max. Ø880: 16 kg.  
Max. Ø1480: 55 kg.

**Class:** Ingress protection IP20. Electric shock protection I.

**Info notes:** LP Grand 320 will not be launched in Japan.



Dimensions	Light source	Lumen	Finish	Class	Light technique	Mounting	Lighting control	Efficacy	Order-no.	RRP €
Ø 320	LED 2700K 12W	1052	Black	I	W/UPLIGHT	WALL & SURFACE MOUNTED	PHASE DIMMING (MAINS DIMM)	88	5741108541	1,168
Ø 320	LED 2700K 12W	1052	Black	I	W/UPLIGHT	WALL & SURFACE MOUNTED	DALI	88	5741108512	1,168
Ø 320	LED 2700K 12W	1052	Champagne	I	W/UPLIGHT	WALL & SURFACE MOUNTED	DALI	88	5741108509	1,168
Ø 320	LED 2700K 12W	1052	Champagne	I	W/UPLIGHT	WALL & SURFACE MOUNTED	PHASE DIMMING (MAINS DIMM)	88	5741108538	1,168
Ø 320	LED 2700K 12W	1052	White	I	W/UPLIGHT	WALL & SURFACE MOUNTED	DALI	88	5741108499	1,168
Ø 320	LED 2700K 12W	1052	White	I	W/UPLIGHT	WALL & SURFACE MOUNTED	PHASE DIMMING (MAINS DIMM)	88	5741108525	1,168
Ø 320	LED 3000K 12W	1151	Black	I	W/UPLIGHT	WALL & SURFACE MOUNTED	DALI	96	5741108570	1,168
Ø 320	LED 3000K 12W	1151	Black	I	W/UPLIGHT	WALL & SURFACE MOUNTED	PHASE DIMMING (MAINS DIMM)	96	5741108606	1,168
Ø 320	LED 3000K 12W	1151	Champagne	I	W/UPLIGHT	WALL & SURFACE MOUNTED	DALI	96	5741108567	1,168
Ø 320	LED 3000K 12W	1151	Champagne	I	W/UPLIGHT	WALL & SURFACE MOUNTED	PHASE DIMMING (MAINS DIMM)	96	5741108596	1,168
Ø 320	LED 3000K 12W	1151	White	I	W/UPLIGHT	WALL & SURFACE MOUNTED	DALI	96	5741108554	1,168
Ø 320	LED 3000K 12W	1151	White	I	W/UPLIGHT	WALL & SURFACE MOUNTED	PHASE DIMMING (MAINS DIMM)	96	5741108583	1,168
Ø 320	LED 4000K 12W	1166	Black	I	W/UPLIGHT	WALL & SURFACE MOUNTED	DALI	97	5741108635	1,168
Ø 320	LED 4000K 12W	1166	Black	I	W/UPLIGHT	WALL & SURFACE MOUNTED	PHASE DIMMING (MAINS DIMM)	97	5741108664	1,168
Ø 320	LED 4000K 12W	1166	Champagne	I	W/UPLIGHT	WALL & SURFACE MOUNTED	DALI	97	5741108622	1,168
Ø 320	LED 4000K 12W	1166	Champagne	I	W/UPLIGHT	WALL & SURFACE MOUNTED	PHASE DIMMING (MAINS DIMM)	97	5741108651	1,168
Ø 320	LED 4000K 12W	1166	White	I	W/UPLIGHT	WALL & SURFACE MOUNTED	DALI	97	5741108619	1,168
Ø 320	LED 4000K 12W	1166	White	I	W/UPLIGHT	WALL & SURFACE MOUNTED	PHASE DIMMING (MAINS DIMM)	97	5741108648	1,168
Ø 580	LED 3000K 59W	5159	Black	I	W/UPLIGHT	WALL	DALI	87	5743146831	2,224



Dimensions	Light source	Lumen	Finish	Class	Light technique	Mounting	Lighting control	Efficacy	Order-no.	RRP €
Ø 580	LED 3000K 59W	5159	Champagne	I	W/UPLIGHT	WALL	DALI	87	5743146828	2,224
Ø 580	LED 3000K 59W	5159	White	I	W/UPLIGHT	WALL	DALI	87	5743146815	2,224
Ø 580	LED 3000K/4000K 44W		**	I	W/O UPLIGHT	WALL	DALI		-	Contact LP
Ø 580	LED 4000K 59W		**	I	W/UPLIGHT	WALL	DALI		-	Contact LP
<b>Sparepart</b>										
LP Grand Ø580 replacement kit LED 3K									5741098127	208
LP Grand Ø580 replacement kit LED 3K90									5741092835	277
LP Grand Ø580 replacement kit LED 3K UPLI									5741099498	277

\*\*Please specify upon ordering.

# LP Slim Round Wall

## Wall lamps

Design: Louis Poulsen A/S

**Concept:** The slim housing encircles a high-efficient acrylic diffuser emitting diffused primarily downward directed light. The slim body has a slight curvature and an inner curve which reduces contrast. The product family comes in a range of sizes and mounting options for a wide range of applications. Surface mounted and suspended versions have an indirect light component.

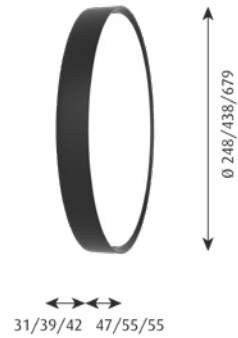
**Finish:** White or black, powder coated or clear lacquered, pickled aluminium.

**Material:** Reflector: Die cast aluminium. Diffuser: Acrylic, opal or micro prismatic. Installation lock: Aluminium.

**Mounting:** Directly on wall.  
**Looping:** Approved, max 5 x 2.5 mm<sup>2</sup>.  
**Cable entries:** Rear, Side-mounted.

**Weight:** Max. 8 kg.

**Class:** Ingress protection IP20. Electric shock protection I.



Dimensions	Light source	Lumen	Finish	Class	Shield/Diffuser	Mounting	Lighting control	Efficacy	Order-no.	RRP €
Ø 250	LED 3000K 13W	1092	Black	I	OPAL	SURFACE MOUNTED	DALI	84	5742584070	836
Ø 250	LED 3000K 13W	1092	Dark Aluminium Raw	I	OPAL	SURFACE MOUNTED	DALI	84	5742584779	836
Ø 250	LED 3000K 13W	1254	White	I	OPAL	SURFACE MOUNTED	DALI	96	5742584041	836
Ø 250	LED 4000K 13W	1279	White	I	OPAL	SURFACE MOUNTED	DALI	98	5742584054	836
Ø 250	LED KELVIN ADJUSTABLE	1232	White	I	OPAL	SURFACE MOUNTED	DALI KELVIN ADJUSTABLE	77	5742584067	943
Ø 440	LED 3000K (ra90)		Dark Aluminium Raw	I	OPAL	SURFACE MOUNTED	DALI		5742584805	1,296
Ø 440	LED 3000K 25W	2404	Black	I	OPAL	SURFACE MOUNTED	DALI	96	5742584135	1,296
Ø 440	LED 3000K 25W	2659	White	I	OPAL	SURFACE MOUNTED	DALI	106	5742584106	1,296
Ø 440	LED 4000K 25W	2714	White	I	OPAL	SURFACE MOUNTED	DALI	109	5742584119	1,296
Ø 440	LED KELVIN ADJUSTABLE	2499	White	I	OPAL	SURFACE MOUNTED	DALI KELVIN ADJUSTABLE	93	5742584122	1,402
Ø 680	LED 3000K 53W	5861	Black	I	OPAL	SURFACE MOUNTED	DALI	111	5742584193	2,487
Ø 680	LED 3000K 53W	5861	Dark Aluminium Raw	I	OPAL	SURFACE MOUNTED	DALI	111	5742584834	2,487
Ø 680	LED 3000K 53W	6262	White	I	OPAL	SURFACE MOUNTED	DALI	118	5742584164	2,487
Ø 680	LED 4000K 53W	6389	White	I	OPAL	SURFACE MOUNTED	DALI	121	5742584177	2,487
<b>Sparepart</b>										
Slim Round Ø250 diffuser opal									5742584737	134
Slim Round Ø250 replacement kit LED 3K90									5741087963	147
Slim Round Ø250 replacement kit LED 4K90									5741087976	147
Slim Round Ø250 replacement kit LED KA90									5741088344	172
Slim Round Ø440 diffuser opal									5742584740	172
Slim Round Ø680 diffuser opal									5742584627	186
Slim Round Ø440 replacement kit LED 3K90									5741087989	310
Slim Round Ø440 replacement kit LED 4K90									5741087992	310
Slim Round Ø440 replacement kit LED KA90									5741088357	344
Slim Round Ø680 R/SR/S replacement kit LED 3K90									5741087947	966
Slim Round Ø680 R/SR/P replacement kit LED 4K90									5741087950	966
Slim Round Ø680 replacement kit LED KA90									5741088360	966

Please contact Louis Poulsen for 4000K or Kelvin Adjustable in additional finishes.

# NJP Wall

## Wall lamps

Design: nendo

**Concept:** The fixture provides direct glare-free horizontal light while reflecting some of the light through the rear of the head, illuminating the top of the arm. The ergonomic design of the fixture head shapes the light and gives optimal light direction. A simple mechanical system provides great freedom of movement, so the light can always be set in the ideal position in the workspace. The shade is painted white on the inside, reflecting comfortable diffused light.

**Finish:** White, Black or Light Aluminium Grey, powder coated.

**Material:** Arms and lamp head: Aluminium. Joints: Anodised Aluminium. Wall bracket: Aluminium.

**Mounting:** Cord type: Black or white. Cord length: 3,3m (short arm), 2,3m (Long arm). Switch: On the fixture head. Timer function: 4 hours or 8 hours. LED driver: separate, plugs into power outlet. The light has two built-in intensities.

**Weight:** Min. 1,4 kg. Max 3.2 kg.

**Class:** Ingress protection IP20. Electric shock protection II w/o ground.

**Info notes:** Driver fitted externally on cord. The light has two built-in intensities. The weight includes the wall bracket. Wall mounting depends on selected arm length. The innovation of the LED technology is constant. The specifications mentioned are based on present technology.



Light source	Lumen	Finish	Class	Cable type	Mounting	Efficacy	Order-no.	RRP €
LED 2700K 10W	529	Black	II	BLK PL	SHORT ARM	53	5743163186	430
LED 2700K 10W	529	Black	II	BLK PL	LONG ARM	53	5743163225	641
LED 2700K 10W	529	Light Aluminium Grey	II	BLK PL	LONG ARM	53	5743163474	641
LED 2700K 10W	529	Light Aluminium Grey	II	BLK PL	SHORT ARM	53	5743163995	430
LED 2700K 10W	529	White	II	WHT PL	SHORT ARM	53	5743163199	430
LED 2700K 10W	529	White	II	WHT PL	LONG ARM	53	5743163238	641
LED 3000K 10W	550	Black	II	BLK PL	SHORT ARM	55	5743163209	430
LED 3000K 10W	550	Black	II	BLK PL	LONG ARM	55	5743163241	641
LED 3000K 10W	550	Light Aluminium Grey	II	BLK PL	SHORT ARM	55	5743163348	430
LED 3000K 10W	550	Light Aluminium Grey	II	BLK PL	LONG ARM	55	5743163380	641
LED 3000K 10W	550	White	II	WHT PL	SHORT ARM	55	5743163212	430
LED 3000K 10W	550	White	II	WHT PL	LONG ARM	55	5743163254	641

### Sparepart

NJP bushing plast							5744165183	15
NJP replacement kit LED w/wire 27K							5744165947	25
NJP replacement kit LED w/wire 3K							5744165976	25
NJP replacement kit print 12V							5744165934	39
Adaptor 12V black							5744164867	58
Adaptor 12V white							5744164870	58

### Accessories

NJP WALL BRACKET LONG BLK							5743163160	61
NJP WALL BRACKET LONG WHT							5743163173	61
NJP WALL BRACKET LONG LIGHT GREY							5743163364	61

# NJP Wall Box

## Wall lamps

Design: nendo

**Concept:** The fixture provides direct glare-free horizontal light while reflecting some of the light through the rear of the head, illuminating the top of the arm. The ergonomic design of the fixture head shapes the light and gives optimal light direction. A simple mechanical system provides great freedom of movement, so the light can always be set in the ideal position in the workspace. The shade is painted white on the inside, reflecting comfortable diffused light.

**Finish:** White, Black or Light Aluminium Grey, powder coated.

**Material:** Arms and lamp head: Aluminium.

**Joints:** Anodised Aluminium.

**Wall-box:** Aluminium.

**Mounting:** Switch: On the fixture head. Stepless dim between 15 and 100%.

Timer function: 4 hours/8 hours.

LED Driver: integrated in the wall-box.

Mounting with cord and plug or for hardwiring.

With cord and plug: Black or white plastic cord.

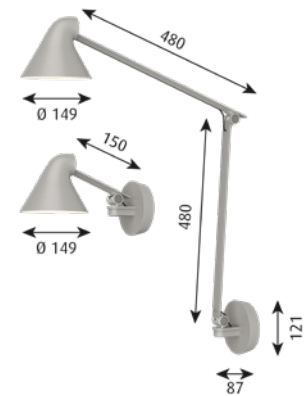
Cord length: 3.3m (short arm), 2.3m (Long arm).

Without cord for hardwiring: Wall bracket for mounting on wall.

**Weight:** Max 1.7 kg.

**Class:** Ingress protection IP20. Electric shock protection II w/o ground.

**Info notes:** Turn on/off with light fading in/out. Stepless dim of the light to a suitable level between 15 and 100%. Timer function to automatically turn off the light after amount of time, selectable between off/4 hours/8 hours. Function to set a fixed light level each time the lamp is connected to main power.



Light source	Lumen	Finish	Class	Cable type	Mounting	Efficacy	Order-no.	RRP €
LED 2700K 10W	529	Black	II	W/CORD	LONG ARM	53	5743147364	722
LED 2700K 10W	529	Black	II	W/CORD	SHORT ARM	53	5743147526	512
LED 2700K 10W	529	Black	II	W/O CORD	LONG ARM	53	5743147160	722
LED 2700K 10W	529	Black	II	W/O CORD	SHORT ARM	53	5743147241	512
LED 2700K 10W	529	Light Aluminium Grey	II	W/CORD	LONG ARM	53	5743147380	722
LED 2700K 10W	529	Light Aluminium Grey	II	W/CORD	SHORT ARM	53	5743147542	512
LED 2700K 10W	529	Light Aluminium Grey	II	W/O CORD	LONG ARM	53	5743147186	722
LED 2700K 10W	529	Light Aluminium Grey	II	W/O CORD	SHORT ARM	53	5743147267	512
LED 2700K 10W	529	White	II	W/CORD	LONG ARM	53	5743147377	722
LED 2700K 10W	529	White	II	W/CORD	SHORT ARM	53	5743147539	512
LED 2700K 10W	529	White	II	W/O CORD	LONG ARM	53	5743147173	722
LED 2700K 10W	529	White	II	W/O CORD	SHORT ARM	53	5743147254	512
LED 3000K 10W	550	Black	II	W/CORD	LONG ARM	55	5743147283	722
LED 3000K 10W	550	Black	II	W/CORD	SHORT ARM	55	5743147445	512
LED 3000K 10W	550	Black	II	W/O CORD	LONG ARM	55	5743147128	722
LED 3000K 10W	550	Black	II	W/O CORD	SHORT ARM	55	5743147209	512
LED 3000K 10W	550	Light Aluminium Grey	II	W/CORD	LONG ARM	55	5743147306	722
LED 3000K 10W	550	Light Aluminium Grey	II	W/CORD	SHORT ARM	55	5743147461	512
LED 3000K 10W	550	Light Aluminium Grey	II	W/O CORD	SHORT ARM	55	5743147225	512
LED 3000K 10W	550	Light Aluminium Grey	II	W/O CORD	LONG ARM	55	5743147144	722
LED 3000K 10W	550	White	II	W/CORD	LONG ARM	55	5743147296	722
LED 3000K 10W	550	White	II	W/CORD	SHORT ARM	55	5743147458	512
LED 3000K 10W	550	White	II	W/O CORD	LONG ARM	55	5743147131	722
LED 3000K 10W	550	White	II	W/O CORD	SHORT ARM	55	5743147212	512

# PH 2/1 Wall

## Wall lamps

Design: Poul Henningsen

**Concept:** The fixture is designed based on the principle of a reflective three-shade system, which directs the majority of the light downwards. The shades are made of mouth-blown opal three-layer glass, which is shiny on the top and sandblasted matt on the inside, giving a soft and diffused light distribution.

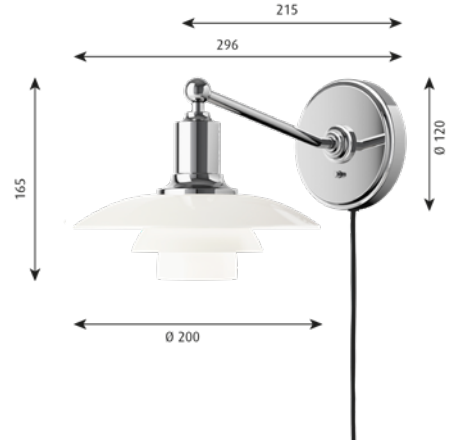
**Finish:** White opal glass. High lustre chrome plated.

**Material:** Shades: Mouth-blown white opal glass. Wall box: High lustre chrome plated, spun brass. Suspension: High lustre chrome plated, spun aluminium. Arm: High lustre chrome plated, brass.

**Mounting:** Mounting with cord and plug or for hardwiring.  
 With cord: Cord with plug. Cord length: 2.9m. Light control: On/off switch on wall box.  
 Without cord for hardwiring: Wall bracket for mounting on wall. Light control: Two options. Either with on/off switch on wall box or without switch on wall box with turn on/off at main switch

**Weight:** Max. 1.5kg.

**Class:** Ingress protection IP20.  
 With cord and plug: Electric shock protection II.  
 For hardwiring: Electric shock protection I.



Light source	Finish	Class	Switch/Plug	Cable type	Order-no.	RRP €
1x20W E14	White Opal Glass	I	W/O SWITCH	W/O CORD	5743151305	1,054
1x20W E14	White Opal Glass	I	W/SWITCH	W/O CORD	5743151318	1,054
1x20W E14	White Opal Glass	II		W/CORD	5743141629	1,054
<b>Sparepart</b>						
PH 2-1, lower shade glass					5741084953	211
PH 2-1, middle shade glass					5741084940	236
PH 2-1, top shade glass Table/Wall					5741084937	376
PH 2-1, springholder w/springs					5741086333	56

# PH 3/2 Wall

## Wall lamps

**Design:** Poul Henningsen

**Concept:** The fixture is designed based on the principle of a reflective three-shade system, which directs the majority of the light downwards. The shades are made of mouth-blown opal three-layer glass, which is shiny on the top and sandblasted matt on the inside, giving a soft and diffused light distribution.

**Finish:** White opal glass. High lustre chrome plated.

**Material:** Shades: Mouth-blown white opal glass. Top plate: High lustre chrome plated, spun brass. Wall box: High lustre chrome plated, spun brass. Arm: High lustre chrome plated, brass.

**Mounting:** Mounting with cord and plug or for hardwiring.  
 With cord: Cord with plug. Cord length: 2.9m. Light control: On/off switch on wall box.  
 Without cord for hardwiring: Wall bracket for mounting on wall. Light control: Two options. Either with on/off switch on wall box or without switch on wall box with turn on/off at main switch

**Weight:** Max. 2.5kg.

**Class:** Ingress protection IP20.  
 With cord and plug: Electric shock protection II.  
 For hardwiring: Electric shock protection I.



Light source	Finish	Class	Switch/Plug	Cable type	Order-no.	RRP €
1x40W 1x40W E14	White Opal Glass	II		W/CORD	5743142806	1,411
1x40W E14	White Opal Glass	I	W/O SWITCH	W/O CORD	5743151282	1,411
1x40W E14	White Opal Glass	I	W/SWITCH	W/O CORD	5743151295	1,411
<b>Sparepart</b>						
PH 3-2, lower shade glass					5741481608	215
PH 3-2, middle shade glass					5741481598	261
PH 3-2, Table/Wall top shade glass					5741481585	406

# PH Hat

## Wall lamps

**Design:** Poul Henningsen

**Concept:** The fixture emits indirect 100% glare-free light. The light distribution depends on the angle of the shade. The shade is rose coloured on the inside, giving the light a warm tone.

**Finish:** The outer shade is white, wet painted. The inner shade is rose coloured, wet painted.

**Material:** Shade: Spun steel. Wall box: Spun steel.

**Mounting:** Mounting with cord and plug or for hardwiring.

With cord: Cord with plug. Cord length: 2.4m. Light control: On/off switch on wall box.

Without cord for hardwiring: Wall bracket for mounting on wall. Light control: Two options. Either with on/off switch on wall box or without switch on wall box with turn on/off at main switch

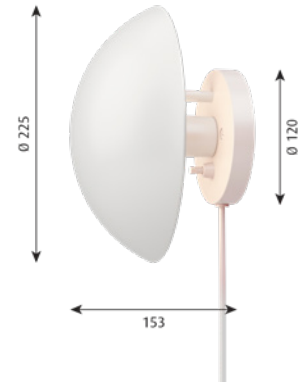
**Weight:** Max. 2kg.

**Class:** Ingress protection IP20.

With cord and plug: Electric shock protection II.

For hardwiring: Electric shock protection I.

**Info notes:** The fixture is tiltable.



Dimensions	Light source	Finish	Class	Switch/Plug	Cable type	Order-no.	RRP €
Ø 225	1x20W E14	White	I	W/SWITCH	W/O CORD	5743150429	528
Ø 225	1x20W E14	White	I	W/O SWITCH	W/O CORD	5743150432	528
Ø 225	1x20W E14	White	II		W/CORD	5743141315	528
<b>Sparepart</b>							
PH Hat thread nipple dobb.						5743590490	21

# Ripls

## Wall lamps

Design: Jakob Wagner

**Concept:** The fixture emits diffused light. The front consist of a concave clear front with ripples like rings in water. The ripples refract light in the front creating a subtle change of appearance depending on viewing angle. The concave form outlines the refraction creating a higher intensity light towards the center fading off towards the edges. A diffuser offset sits deep in the fixture creating a sense of depth in the front. A slim housing creates the appearance of a floating disk while perforations in the opaque housing allows indirect light to create a halo around the fixture.

**Finish:** White opal diffuser and clear reflective front. Satin matt white.

**Material:** Rear housing: Injection molded polycarbonate. Diffuser: Opalescent PMMA. Clear front: Clear UV resistant polycarbonate.

**Mounting:** Terminal strip: 1x5x2.5mm<sup>2</sup>. Cable access: 2 rear, Ø19mm or side mounting. Prepared for looping: Approved, max. 5x1.5mm<sup>2</sup>.

**Weight:** Max. 3.7 kg.

**Class:** Ingress protection IP20. Electric shock protection I.

**Info notes:** Please contact Louis Poulsen for Switch-DIM, Wireless bluetooth control, other colour temperatures, Kelvin adjustable or LED replacement kit.



Dimensions	Light source	Lumen	Finish	Class	Mounting	Lighting control	Efficacy	Order-no.	RRP €
Ø 310	LED 3000K 13W	1060	Opal	I	WALL & CEILING	DALI	82	5743141014	519
Ø 310	LED 3000K 13W	1060	Opal	I	WALL & CEILING	MOTION SENSOR	82	5743147050	899
Ø 310	LED 3000K/4000K 13W **		Opal	I	WALL & CEILING	WIRELESS BLUETOOTH **		-	Contact LP
Ø 310	LED 4000K 13W **		Opal	I	WALL & CEILING	DALI		-	Contact LP
Ø 310	LED 4000K 13W **		Opal	I	WALL & CEILING	MOTION SENSOR		-	Contact LP
Ø 310	LED KELVK 13W **		Opal	I	WALL & CEILING	-**		-	Contact LP
Ø 500	LED 3000K 25W	2322	Opal	I	WALL & CEILING	DALI	93	5743141030	761
Ø 500	LED 3000K 25W	2322	Opal	I	WALL & CEILING	MOTION SENSOR	93	5743147063	1,141
Ø 500	LED 3000K/4000K 25W **		Opal	I	WALL & CEILING	WIRELESS BLUETOOTH **		-	Contact LP
Ø 500	LED 4000K 25W **		Opal	I	WALL & CEILING	DALI		-	Contact LP
Ø 500	LED 4000K 25W **		Opal	I	WALL & CEILING	MOTION SENSOR		-	Contact LP
Ø 500	LED KELVK 25W **		Opal	I	WALL & CEILING	-**		-	Contact LP
<b>Sparepart</b>									
Ripls Ø310 shade replacement								5743143326	136
Ripls Ø500 shade replacement								5743143339	256
<b>Accessories</b>									
RIPLS REMOTE CONTROL FOR SENSOR								5743143478	288

\*\*Please specify upon ordering.



# Silverback Ceiling/Wall

## Wall lamps

Design: KiBiSi

**Concept:** The fixture emits diffused light. The opal curved diffuser provides a soft and comfortable spatial lighting, and the metallised rear half of the product produces a decorative halo-like illumination on the ceiling or wall surface. The metallised surface also creates a mirror effect, reflecting the texture, colour or material of the installation surface.

**Finish:** White opal and alu-metallised.

**Material:** Ø295: Rear housing: Die cast aluminium powder coated white. Shade: Opalescent PMMA and semi-metallised PC. Ø440: Rear housing: Die-stamped steel sheet, powder coated, white. Diffuser: Opalescent PMMA and semi-metallised PC.

**Mounting:** Terminal strip: 1x5x2.5mm<sup>2</sup>. Cable access: 2 rear, Ø19mm. Looping: Approved, max. 5x1.5mm<sup>2</sup>.

**Weight:** Max. 3kg.

**Class:** Protection class IP20, Insulation class I

**Info notes:** For Switch-Dim or LED replacement kit please contact Louis Poulsen.

**Motion Sensor:** If required the sensor settings can simply be altered using the dip-switches in the luminaire. If the luminaire is run continuously at 100% output, the life expectancy on the driver/sensor is reduced.



Dimensions	Light source	Lumen	Finish	Class	Mounting	Lighting control	Efficacy	Order-no.	RRP €
Ø 295	LED 3000K 9.8W	818	Opal	I	WALL & CEILING	DALI	84	5743157053	572
Ø 440	LED 3000K 32W		Opal	I	WALL & CEILING	MOTION SENSOR **		-	Contact LP
Ø 440	LED 3000K 32W	2306	Opal	I	WALL & CEILING	DALI	72	5743168864	837
<b>Sparepart</b>									
	Silverback Ø295 replacement kit LED 3K90							5741087866	137
	Silverback Ø295 replacement kit LED 4K90							5741087879	137
	Silverback Ø295 shade pmma							5743157040	197
	Silverback Ø440 shade pmma							5743168712	295

\*\*Please specify upon ordering.

# VL Ring Crown Wall

## Wall lamps

**Design:** Vilhelm Lauritzen

**Concept:** The wall lamp emits light directed primarily downwards. The opal glass provides a comfortable and uniform illumination of the area around the fixture.

**Finish:** Glossy mouth-blown white opal glass. Satin polished brass, untreated.

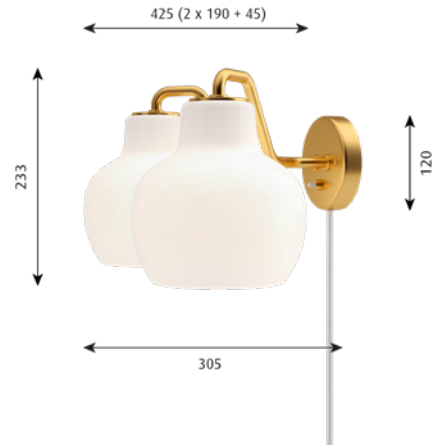
**Material:** Mouth-blown, 3-layered, opal glass. Wall lamp arm and wall-box: Untreated brass, will patinate.

**Mounting:** Mounting with cord and plug or for hardwiring.  
 With cord: White 2 x 0,75 mm<sup>2</sup> PVC cord with plug. Cord length: 2.5m. Light control: On/off switch on wall box.  
 Without cord for hardwiring: Wall bracket for mounting on wall. Light control: Two options. Either with on/off switch on wall box or without switch on wall box with turn on/off at main switch

**Weight:** Max. 2.9 kg.

**Class:** Ingress protection IP20.  
 With cord and plug: Electric shock protection II.  
 For hardwiring: Electric shock protection I.

**Info notes:** Please note that the brass surfaces are untreated. This means that the surface will change over time and develop a patina. The total weight of the fixtures are calculated with the average weight of the glass (671g). They vary from approx. 600-800g.



Dimensions	Light source	Finish	Class	Switch/Plug	Cable type	Order-no.	RRP €
1	E27	Brass/Glossy Opal Glass	I	W/O SWITCH	W/O CORD	5743147704	811
1	E27	Brass/Glossy Opal Glass	I	W/SWITCH	W/O CORD	5743147720	811
1	E27	Brass/Glossy Opal Glass	II	W/SWITCH	W/CORD	5743145450	811
2	E27	Brass/Glossy Opal Glass	I	W/O SWITCH	W/O CORD	5743147717	1,233
2	E27	Brass/Glossy Opal Glass	I	W/SWITCH	W/O CORD	5743147733	1,233
2	E27	Brass/Glossy Opal Glass	II	W/SWITCH	W/CORD	5743145463	1,233
<b>Sparepart</b>							
VL Ring crown Wall/3-5-7 glass						5741094406	400

# VL Studio Wall

## Wall lamps

Design: Vilhelm Lauritzen

**Concept:** The fixture emits a glare-free, diffused light. The triple-layered opal glass provides a pleasant and uniform illumination of the area around the fixture. The lamp shade can be tilted 90 degrees to the right or left, which allows for flexible light distribution.

**Finish:** Matt black, wet painted or brushed brass with fine hairlines. White opal glass, glossy.  
 EU/UK/JP: Unlacquered brass which will develop a patina.  
 AU/KR/CN/JP/US: Clear lacquered brass.

**Material:** Glass: Mouth-blown, 3-layered opal glass, glossy.  
 Housing: Deep drawn aluminum or brass.  
 Wall box: Die cast aluminum or forged brass. Please note the untreated brass will patinate.

**Mounting:** Two options. With cord and plug and on/off switch on cord or variant for hardwiring with on/off on main switch.

Cord type: Plastic cord with plug. Black for black version and white on brass versions.

Cord length: 2.5 m.

Glass can be unscrewed to change the light source.

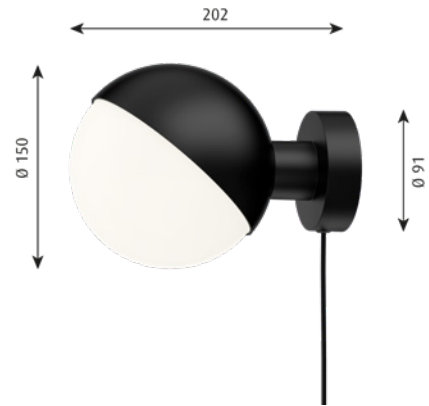
**Weight:** Max 1.3 kg

**Class:** Ingress protection IP20.

With cord and plug: Electric shock protection II.

For hardwiring: Electric shock protection I.

**Info notes:** The adjustable lamp shade can be tilted 90 degrees to the right or left. The untreated brass will change over time and develop patina.



Dimensions	Light source	Finish	Class	Shade	Switch/Plug	Cable type	Order-no.	RRP €
Ø 150	G9	Black	II	ROTATABLE	W/O SWITCH	W/O CORD	5743147092	544
Ø 150	G9	Black	II	ROTATABLE	W/SWITCH	W/CORD	5743150186	544
Ø 150	G9	Brass	II	ROTATABLE	W/SWITCH	W/CORD	5743150199	722
Ø 150	G9	Brass	II	ROTATABLE	W/O SWITCH	W/O CORD	5743147102	722
<b>Sparepart</b>								
VL Studio Ø150 Wall glass							5743151868	142
VL Studio Ø150 Wall pinol screw							5743151871	5

# VL38 Wall

## Wall lamps

**Design:** Vilhelm Lauritzen

**Concept:** The fixture emits downward directed light. The angle of the shade can be adjusted to optimize light distribution. The shade is painted white on the inside to ensure a soft comfortable light.

**Finish:** Brushed brass. Black or White, powder coated.

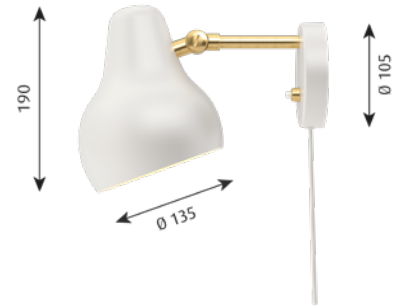
**Material:** Wall box: Punched aluminium. Shade: Spun aluminium. Arm: Brushed brass.

**Mounting:** Cable type: Plastic cord. Cable length: 3,3m. Light control: Switch on wall box. 2 light levels. Timer function: 4 hours/8 hours. LED driver: integrated in wall box.

**Weight:** Max: 1.3 kg.

**Class:** Ingress protection IP20. Electric shock protection II w/o ground.

**Info notes:** Please note that the brass surfaces are untreated. This means that the surface will change over time and develop a patina.  
Function to set a fixed light level each time the lamp is connected to main power. LED driver integrated in wall box. Two light levels 50% or 100%. Timer function to automatically turn off the light after amount of time, selectable between off/4 hours/8 hours. Adjustable (up and down) and rotating (to the side) lamp shade. For LED replacement kit please contact Louis Poulsen. The innovation of the LED technology is constant. The specifications mentioned are based on present technology.



Light source	Lumen	Finish	Class	Shade	Efficacy	Order-no.	RRP €
LED 2700K 9.6W	416	Black	II	TILTABLE/ROTATABLE	43	5743163393	528
LED 2700K 9.6W	416	White	II	TILTABLE/ROTATABLE	43	5743163429	528
<b>Sparepart</b>							
VL38 replacement kit LED w/wire						5744165963	25
VL38 replacement kit print V2						5744162429	39
VL38 replacement kit print						5744165950	39
Yuh/VL38 replacement kit integrated adap						5744162335	65

# Yuh Wall

## Wall lamps

Design: GamFratesi

**Concept:** The fixture primarily provides glare-free downward directed light. The angle of the shade can be adjusted to optimize light distribution. A slim opening in the top of the shade provides soft, ambient upward illumination. A mechanical system provides great freedom of movement, so the light can always be set in the ideal position in the workspace, living room etc. Build-in LED technology provides a high quality of light with stepless dimming at 15 to 100%. Timer function to automatically turn off the light after amount of time, selectable between off/4 hours/8 hours. Function to set a fixed light level each time the lamp is connected to main power. The switch and dimmer button is placed on the wall box.

**Finish:** White or black. Matt wet painted. Brass versions: White or black shade. Matt wet painted. Clear lacquered, brushed brass stem and wall box.

**Material:** Shade: Die cast aluminium. Stem: Extruded brass (wet painted or clear lacquered). Wall box: Die cast aluminium (wet painted) or extruded brass (clear lacquered).

**Mounting:** Cable type: Plastic cord. Cable length: 2,5m. Stepless dim between 15 and 100%. Timer function: 4 hours/8 hours. Light control: Switch on the wall box. LED Driver: integrated in the wall box.

**Weight:** Max. 2.4 kg.

**Class:** Ingress protection IP20. Electric shock protection II w/o ground.

**Info notes:** A single push button located at the lamp will control the functions on/off and dimming. Turn on/off the light with light fading in/out. Stepless dim of the light to a suitable level between 15 and 100%. Timer function to automatically turn off the light after amount of time, selectable between off/4 hours/8 hours. Function to set a fixed light level each time the lamp is connected to main power. LED driver integrated in wall box. For LED replacement kit please contact Louis Poulsen. The innovation of the LED technology is constant. The specifications mentioned are based on present technology.



Light source	Lumen	Finish	Class	Efficacy	Order-no.	RRP €
LED 2700K 10W	446	Black	II	45	5743141409	713
LED 2700K 10W	446	Brass/Black	II	45	5743145531	811
LED 2700K 10W	446	Brass/White	II	45	5743145544	811
LED 2700K 10W	446	White	II	45	5743143193	713
<b>Sparepart</b>						
Yuh replacement kit LED w/wire					5744162377	25
Yuh replacement kit print					5744162364	39
Yuh/VL38 replacement kit integrated adap					5744162335	65

# AJ Floor

## Floor lamps

**Design:** Arne Jacobsen

**Concept:** The fixture emits downward directed light. The angle of the shade can be adjusted to optimize light distribution. The shade is painted white on the inside to ensure a soft comfortable light.

**Finish:** Stainless Steel, polished. White, Black, Aubergine, Dark Green, Dark Grey, Light Grey, Midnight Blue, Pale Petroleum, Rusty Red, Yellow Ochre, wet painted.

**Material:** Shade: Spun steel or stainless steel. Base: Die cast zinc or stainless steel. Stem: Steel or stainless steel.

**Mounting:** Cable type: Plastic cord with plug. Cable length: 2.4m. Light control: On/Off switch on cord.

**Weight:** Max. 3.5kg.

**Class:** Ingress protection IP20. Electric shock protection II.

**Info notes:** The white version is supplied with a white cable. The other versions are supplied with a black cable.



Light source	Finish	Class	Cable type	Order-no.	RRP €
1x20W E27	Aubergine	II	BLK PL	5744169765	1,362
1x20W E27	Black	II	BLK PL	5744169710	1,362
1x20W E27	Dark Green	II	BLK PL	5744169781	1,362
1x20W E27	Dark Grey	II	BLK PL	5744169778	1,362
1x20W E27	Light Grey	II	BLK PL	5744169723	1,362
1x20W E27	Midnight Blue	II	BLK PL	5744169752	1,362
1x20W E27	Pale Petroleum	II	BLK PL	5744169794	1,362
1x20W E27	Rusty Red	II	BLK PL	5744169749	1,362
1x20W E27	Stainless Steel Polished	II	BLK PL	5744166425	1,606
1x20W E27	White	II	WHT PL	5744169707	1,362
1x20W E27	Yellow Ochre	II	BLK PL	5744169736	1,362

### Sparepart

Foot switch On/Off black	5717000000	54
Foot switch On/Off white	5717000013	54

# Keglen Floor

## Floor lamps

Design: Big Ideas

**Concept:** The floor lamp's distinctive conical shade has a built-in curved diffuser. This ensures an attractive and glare-free downwardly directed light. The stem morphs into the diffuser shade, folding inward and creating a beautiful organic geometry. A gentle light is also emitted upward through a discreet uniform opening in the top of the shade to create a perfect ambiance.

**Finish:** Black or white, matt, wet-painted.

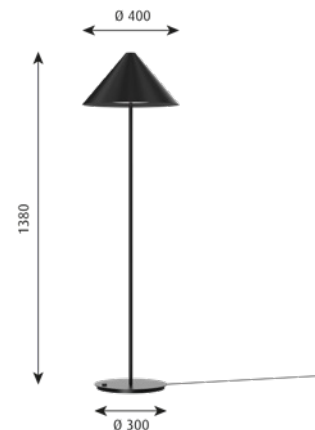
**Material:** Shade: Spun aluminum. Diffuser: Injection-molded PC. Base: Die cast aluminum. Stem: Machined aluminum.

**Mounting:** Cord type: Plastic. Cord length: 2.3 m. Switch: On the base. Stepless dimming. Adapter: External with plug.

**Weight:** Max. 7,1 kg.

**Class:** Ingress protection IP20. Class II.

**Info notes:** An integrated memory function ensures that the lamp will return to its latest adjusted lumen output when power has been removed and restored.



Light source	Lumen	Finish	Class	Switch/Plug	Cable type	Efficacy	Order-no.	RRP €
LED 2700-2000K D2W 8.5W	481	Black	II	W/ON/OFF SWITCH	BLK PL	57	5744166797	1,070
LED 2700-2000K D2W 8.5W	541	White	II	W/ON/OFF SWITCH	WHT PL	64	5744166784	1,070
LED 3000K 8.5W	509	Black	II	W/ON/OFF SWITCH	BLK PL	60	5744167945	1,070
LED 3000K 8.5W	573	White	II	W/ON/OFF SWITCH	WHT PL	67	5744167958	1,070
<b>Sparepart</b>								
Keglen Floor diffuser							5744167961	53
Adaptor 12V black							5744164867	58
Adaptor 12V white							5744164870	58

# Moonsetter

## Floor lamps

Design: Anne Boysen

**Concept:** The sculptural floor lamp in chrome-plated aluminium has a rotating disc that allows customisation of the reflection of the glare-free light emitted by the LED light source elegantly submerged in the frame. The disc rotates 360° around its own axis and is white on one side and reflective on the other. Tilted towards the white side, the light becomes soft and diffuse, whereas the opposite chrome side reflects the light panel directly for a completely different expression. The light is directed according to the position of the disc. The surroundings are mirrored in the frame and the chrome side of the disc. The lamp offers stepless dimming and is turned on and off by the rotating footswitch on the cylinder.

**Finish:** High lustre chrome-plated.

**Disc:** High lustre chrome-plated on one side and white, wet painted on the opposite side.

**Material:** Frame: High lustre chrome-plated solid cast aluminium.

Cylinder and switch: High lustre chrome-plated extruded aluminium.

**Disc:** Solid cast aluminium. High lustre chrome-plated on one side and white on the opposite side.  
Opal silicone diffuser.

**Mounting:** Cable type: Black PVC cord.

Cable length: 2.5m.

LED-adapter: Separate, plugs into power outlet.

Light control: Rotatable switch on cylinder with stepless dimming.

The disc can rotate 360° around its own axis.

**Weight:** 20 kg

**Class:** Ingress protection IP20. Electric shock protection II wo/ ground.

**Info notes:** LED adapter fitted externally on cord.

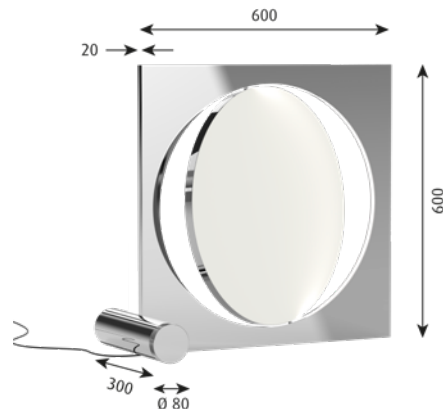
Turn on/off the light by rotating switch on cylinder with light fading in/out.

Stepless dimming.

The reflector disc can rotate 360° around its own axis.

For LED replacement kit please contact Louis Poulsen.

The lamps are numbered in editions of 100 pieces per edition and will be engraved with edition number and a unique sequential number from 1 - 100.



Dimensions	Light source	Finish	Class	Switch/Plug	Order-no.	RRP €
600x600	LED 3500K 19W	High Lustre Chrome/White	II	W/DIMMER	5744168274	7,705
<b>Sparepart</b>						
MOONSETTER RUBBER FEET W/SCREW 3 PCS KIT					5744168287	3



# NJP Floor

## Floor lamps

Design: nendo

**Concept:** The fixture provides direct glare-free horizontal light while reflecting some of the light through the rear of the head, illuminating the top of the arm. The ergonomic design of the fixture head shapes the light and gives optimal light direction. A simple mechanical system provides great freedom of movement, so the light can always be set in the ideal position in the workspace. The shade is painted white on the inside, reflecting comfortable diffused light.

**Finish:** White, Black or Light Aluminium Grey, powder coated.

**Material:** Base: Steel. Arms and lamp head: Aluminium. Joints: Anodised Aluminium. Stem: Aluminium.

**Mounting:** Cord type: Black or white. Cord length: 1,7m. Switch: On the fixture head. Timer function: 4 hours or 8 hours. LED driver: separate, plugs into power outlet. The light has two built-in intensities.

**Weight:** Max. 11 kg.

**Class:** Ingress protection IP20. Electric shock protection II.

**Info notes:** Driver fitted externally on cord. The light has two built-in intensities. The weight includes the base plate. The innovation of the LED technology is constant. The specifications mentioned are based on present technology.



Light source	Lumen	Finish	Class	Cable type	Efficacy	Order-no.	RRP €
LED 2700K 10W	529	Black	II	BLK PL	53	5744165138	924
LED 2700K 10W	529	Light Aluminium Grey	II	BLK PL	53	5744162380	924
LED 2700K 10W	529	White	II	WHT PL	53	5744165141	924
LED 3000K 10W	550	Black	II	BLK PL	55	5744165154	924
LED 3000K 10W	550	Light Aluminium Grey	II	BLK PL	55	5744165921	924
LED 3000K 10W	550	White	II	WHT PL	55	5744165167	924
<b>Sparepart</b>							
NJP bushing plast						5744165183	15
NJP replacement kit LED w/wire 27K						5744165947	25
NJP replacement kit LED w/wire 3K						5744165976	25
NJP replacement kit print 12V						5744165934	39
Adaptor 12V black						5744164867	58
Adaptor 12V white						5744164870	58

# Panthella Floor

## Floor lamps

**Design:** Verner Panton

**Concept:** The fixture emits a glare-free, soft and comfortable illumination. The opal acrylic shade leaves a diffused comfortable light atmosphere due to the translucent shade, the downward reflection from the inner shade and the reflection from the trumpet stem.

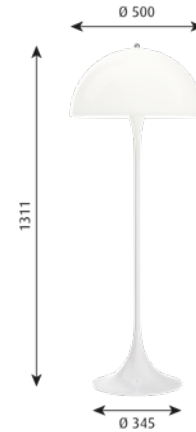
**Finish:** White opal acrylic.

**Material:** Shade: Injection moulded white opal acrylic. Base: White, injection moulded ABS. Housing: White, injection moulded ABS. Diffuser : Injection moulded opal pmma.

**Mounting:** Cable type: Plastic cord with plug. Cable length: 2.5m.  
Light control: On/off switch on cord.  
Diffuser with bajonet lock.

**Weight:** Max. 5.6kg.

**Class:** Ingress protection IP20. Electric shock protection II.



Light source	Finish	Class	Switch/Plug	Order-no.	RRP €
1x53W E27	White Opal Acryl	II	W/ON/OFF SWITCH	5744167068	1,233
<b>Sparepart</b>					
Panthella Floor shade holder clear				5744610052	121
Panthella Floor upper trumpet				5744163305	142
Panthella Floor upper trumpet V2021				5744167563	142
Panthella Floor tube				5744163295	194
Panthella Floor bajonetbase V2021				5744167521	35
Panthella Floor shade V2021				5744167547	438
Foot switch On/Off white				5717000013	54
Panthella Floor/Table top nut chrome				5744610049	56
Panthella Floor legs with nut & washer				5744610531	62
Panthella Floor diffuser V2021				5744167518	83
Panthella Floor tube paintet V2021				5744167550	97

# PH 3½-2½ Floor

## Floor lamps

**Design:** Poul Henningsen

**Concept:** The fixture is designed based on the principle of a reflective three-shade system, which directs the majority of the light downwards. The shades are made of mouth-blown opal three-layer glass, which is glossy on top and sandblasted matt on the underside, giving a soft and diffused light distribution.

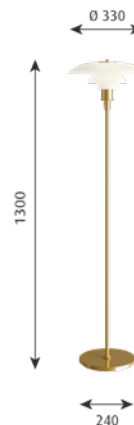
**Finish:** Brass metallised, black metallised or high lustre chrome plated. White opal glass.

**Material:** Shades: Mouth-blown white opal glass. Top plate and base: Brass metallised, black metallised or high lustre chrome plated, spun brass. Stem: Brass metallised, black metallised or high lustre chrome plated, steel.

**Mounting:** Cable type: Plastic cord with plug. Cable length: 2.5m. Light control: On/off switch on cord.

**Weight:** Max. 7.5kg.

**Class:** Ingress protection IP20. Electric shock protection II w/o ground.



Light source	Finish	Class	Switch/Plug	Cable type	Order-no.	RRP €
1x70W E27	Black Metallised	II	W/ON/OFF SWITCH	BLK PL	5744166218	2,352
1x70W E27	Brass Metallised	II	W/ON/OFF SWITCH	WHT PL	5744611255	2,352
1x70W E27	High Lustre Chrome Plated	II	W/ON/OFF SWITCH	BLK PL	5744162199	2,157
<b>Sparepart</b>						
PH 3½-2½ glass lower shade					5744162254	320
PH 3½-2½ glass middle shade					5744162241	371
Foot switch On/Off black					5717000000	54
Foot switch On/Off white					5717000013	54
PH 3½ glass Floor/Table top shade					5744162267	542
Finger screw SS M3X12 (3pcs) lower					5744610528	9
Finger screw brass raw M3X12 (3pcs)lower					5744611284	9

# PH 4½-3½ Glass Floor

## Floor lamps

**Design:** Poul Henningsen

**Concept:** The fixture is designed based on the principle of a reflective three-shade system, which directs the majority of the light downwards. The shades are made of mouth-blown opal three-layer glass, which is glossy on top and sandblasted matt on the underside, giving a soft and diffused light distribution.

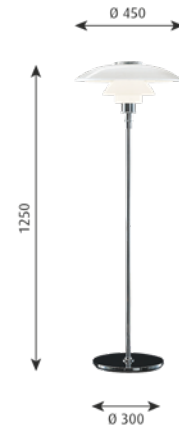
**Finish:** High lustre chrome plated. White opal glass.

**Material:** Shades: Mouth-blown white opal glass. Anti glare ring: Purple, spun aluminium. Top plate: High lustre chrome plated, spun brass. Base: High lustre chrome plated, spun brass. Stem: High lustre chrome plated, steel.

**Mounting:** Cable type: Plastic cord with plug. Cable length: 3.3m. Light control: On/off switch on cord.

**Weight:** Max. 15kg.

**Class:** Ingress protection IP20. Electric shock protection II w/o ground.



Light source	Finish	Class	Switch/Plug	Order-no.	RRP €
1x100W E27	High Lustre Chrome Plated	II	W/ON/OFF SWITCH	5744161514	4,299
<b>Sparepart</b>					
PH 4½-3½ glass Table/Floor topshade acc				5744610722	1,774
Finger screw SS M3X16 (3pcs) middle				5744610845	11
Foot switch On/Off black				5717000000	54
PH 4½-3½ glass Table/Floor lower shade				5744610625	565
PH 4½-3½ glass Table/Floor middle shade				5744610612	757
Finger screw SS M3X12 (3pcs) lower				5744610528	9

# PH 80

## Floor lamps

**Design:** Poul Henningsen

**Concept:** The fixture emits a diffused, reflected, symmetrical light. The majority of the light is directed downward. The opal acrylic shades provide comfortable room lighting. On the original fixture, the red hue of the top reflector adds an intense, warm glow to the light. The black and white fixtures have a white top reflector that reflects the light for a clean, elegant look. The choice of light source will determine the color of the illumination.

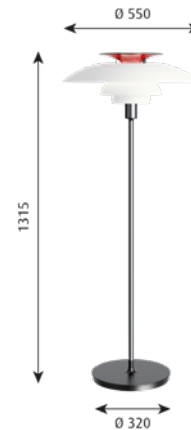
**Finish:** White opal acrylic shades. High-luster chrome-plated stand with textured black base. Black stand with smooth black base. White stand with smooth white base.

**Material:** Shades: High-pressure molded white opal acrylic.  
 Top reflector: Red or white polycarbonate.  
 Top cover and base: Black or white; high-pressure molded ABS.  
 Stand: High-luster chrome-plated, or black or white powder-coated steel.

**Mounting:** Cord type: Plastic cord with plug.  
 Cord length: 2.6 m.  
 Light control: on/off switch or dimmer on cord.

**Weight:** Max. 7.5kg.

**Class:** Ingress protection IP20. Electric shock protection II.



Light source	Finish	Class	Switch/Plug	Order-no.	RRP €
1x70W E27	White Opal Acryl/Black	II	W/ON/OFF SWITCH	5744611352	1,460
1x70W E27	White Opal Acryl/Black	II	W/DIMMER	5744611459	1,460
1x70W E27	White Opal Acryl/High Lustre Chrome Plated	II	W/ON/OFF SWITCH	5744610816	1,460
1x70W E27	White Opal Acrylic/White	II	W/ON/OFF SWITCH	5744611404	1,460
1x70W E27	White Opal Acrylic/White	II	W/DIMMER	5744611475	1,460
<b>Sparepart</b>					
PH 80 middle shade				5744610638	115
PH 80 Floor rebuilding set				5744610793	117
PH 80 socket cover w/branch				5744610654	147
PH 80 Black socket cover w/branch				5744611543	147
PH 80 White socket cover w/branch				5744611569	147
PH 80 top rouge/black				5744610667	166
PH 80 top shade White/Black				5744611530	166
PH 80 top shade White/White				5744611556	166
PH 80 top shade				5744610298	249
Foot switch On/Off black				5717000000	54
PH 80 lower shade				5744610641	98

# VL Studio Table/Floor

Floor lamps, Table lamps

Design: Vilhelm Lauritzen

**Concept:** The fixture emits a glare-free diffused light. The triple-layered opal glass provides a very comfortable light distribution and radiates a pleasantly delicate glow to the surroundings.

**Finish:** Matt black, wet painted or brushed brass with fine hairlines. White opal glass, glossy. Unlacquered brass which will develop a patina.

**Material:** Glass: Mouth-blown, 3-layered opal glass, glossy.  
Housing: Deep drawn aluminum or brass.

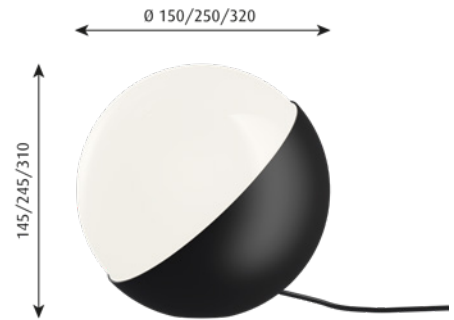
Please note the untreated brass will patinate.

**Mounting:** Glass can be unscrewed to change the light source.  
Cable type: Plastic cord. Black for black version and white on brass versions.  
Cable length: 2.5 m.  
Ø150: On/off switch on cable.  
Ø250 and Ø320: Electronic dimmer on cable for regulation of light brightness (requires suitable light source).

**Weight:** Max 7,9 kg.

**Class:** Ingress protection IP20. Electric shock protection II.

**Info notes:** The untreated brass will change over time and develop a patina.



Dimensions	Light source	Finish	Class	Switch/Plug	Cable type	Order-no.	RRP €
Ø 150	G9	Black	II	W/ON/OFF SWITCH	BLK PL	5744169354	447
Ø 150	G9	Brass	II	W/ON/OFF SWITCH	WHT PL	5744169367	593
Ø 250	E27	Black	II	W/DIMMER	BLK PL	5744169370	625
Ø 250	E27	Brass	II	W/DIMMER	WHT PL	5744169383	982
Ø 320	E27	Black	II	W/DIMMER	BLK PL	5744167893	957
Ø 320	E27	Brass	II	W/DIMMER	WHT PL	5744167916	1,362
<b>Sparepart</b>							
VL Studio Ø250 Table glass						5744167851	232
VL Studio Ø320 Table glass						5744167864	393
VL Studio Table grommet white						5744167877	5
VL Studio Table grommet black						5744167880	5

# VL38 Floor

## Floor lamps

**Design:** Vilhelm Lauritzen

**Concept:** The fixture emits downward directed light. The angle of the shade can be adjusted to optimize light distribution. The shade is painted white on the inside to ensure a soft comfortable light.

**Finish:** Brushed brass. Black or White, powder coated.

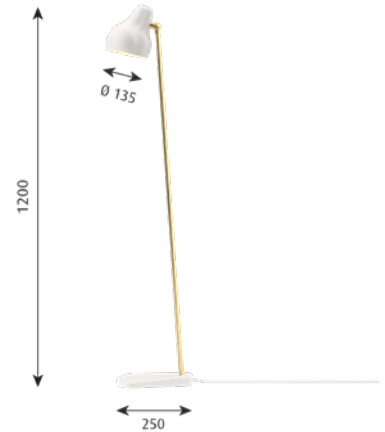
**Material:** Base: Die cast aluminium. Shade: Spun aluminium. Stem: Brushed brass.

**Mounting:** Cable type: Plastic cord. Cable length: 4m. Light control: In-line switch on cord. 2 light levels. Timer function: 4 hours/8 hours. LED driver: separate, plugs into power outlet.

**Weight:** Max. 6.7 kg.

**Class:** Ingress protection IP20. Electric shock protection II w/o ground.

**Info notes:** Please note that the brass surfaces are untreated. This means that the surface will change over time and develop a patina. Function to set a fixed light level each time the lamp is connected to main power. LED driver fitted externally on cord. Two light levels 50% or 100%. Timer function to automatically turn off the light after amount of time, selectable between off/4 hours/8 hours. Adjustable (up and down) lamp shade. For LED replacement kit please contact Louis Poulsen. The innovation of the LED technology is constant. The specifications mentioned are based on present technology.



Light source	Lumen	Finish	Class	Efficacy	Order-no.	RRP €
LED 2700K 9.6W	416	Black	II	43	5744163208	924
LED 2700K 9.6W	416	White	II	43	5744162270	924
<b>Sparepart</b>						
VL38 replacement kit LED w/wire					5744165963	25
VL38 replacement kit print V2					5744162429	39
VL38 replacement kit print					5744165950	39
Adaptor 12V black					5744164867	58
Adaptor 12V white					5744164870	58

# Yuh Floor

## Floor lamps

Design: GamFratesi

**Concept:** The fixture primarily provides glare-free downward directed light. The angle of the shade can be adjusted to optimize light distribution. A slim opening in the top of the shade provides soft, ambient upward illumination. A mechanical system provides great freedom of movement, so the light can always be set in the ideal position in the workspace, living room etc. Build-in LED technology provides a high quality of light with stepless dimming at 15 to 100%. Timer function to automatically turn off the light after amount of time, selectable between off/4 hours/8 hours. Function to set a fixed light level each time the lamp is connected to main power. In the upper part of the tube a button acts as switch and dimmer.

**Finish:** White or black. Matt wet painted. Brass/Marble versions: White or black shade. Matt wet painted. Clear lacquered, brushed brass stem. Matt marble base.

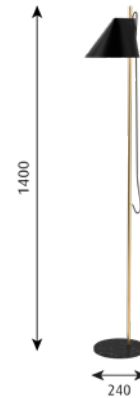
**Material:** Shade: Die cast aluminium. Base: Die cast aluminium (wet painted) or brushed marble. Marble: Italian Nero Margiua or White Carrara. Stem: Extruded brass (wet painted or clear lacquered).

**Mounting:** Cable type: Plastic cord. Cable length: 2,5m. Stepless dim between 15 and 100%. Timer function: 4 hours/8 hours. Light control: Switch on top of the stem. LED driver: separate, plugs into power outlet.

**Weight:** Max. 5.7 kg.

**Class:** Ingress protection IP20. Electric shock protection II w/o ground.

**Info notes:** A single push button located at the lamp will control the functions on/off and dimming. Turn on/off the light with light fading in/out. Stepless dim of the light to a suitable level between 15 and 100%. Timer function to automatically turn off the light after amount of time, selectable between off/4 hours/8 hours. Function to set a fixed light level each time the lamp is connected to main power. LED driver fitted externally on cord. For LED replacement kit please contact Louis Poulsen. The innovation of the LED technology is constant. The specifications mentioned are based on present technology.



Light source	Lumen	Finish	Class	Mounting	Efficacy	Order-no.	RRP €
LED 2700K 10W	446	Black	II	BLACK BASE	45	5744612539	924
LED 2700K 10W	446	Brass/Black	II	BLACK MARBLE BASE	45	5744162678	1,103
LED 2700K 10W	446	Brass/White	II	WHITE MARBLE BASE	45	5744162681	1,103
LED 2700K 10W	446	White	II	WHITE BASE	45	5744612542	924
<b>Sparepart</b>							
Yuh replacement kit LED w/wire						5744162377	25
Yuh replacement kit print						5744162364	39
Adaptor 12V black						5744164867	58
Adaptor 12V white						5744164870	58



# AJ 50 Wall

## Wall and Ceiling Outdoor

**Design:** Arne Jacobsen

**Concept:** The fixture emits downward directed light. The shade is painted white on the inside to ensure a soft comfortable light distribution.

**Finish:** White, black or aluminium coloured with textured surface, powder coated.

**Material:** Shade: Die cast aluminium. Wall box: Die cast aluminium. Arm: Die cast aluminium.

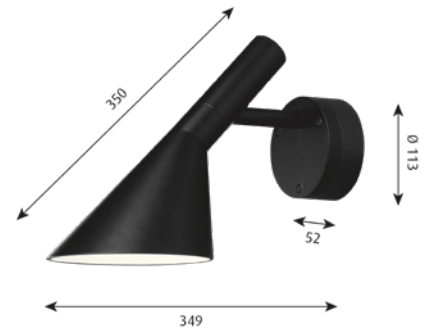
**Mounting:** Terminal block: 1x3x2.5mm<sup>2</sup>. Cable entries: 2x bottom + 3x rear entries for Ø 10-14.5mm cable. Looping: Approved, max. 3x1,5mm<sup>2</sup>.

**Weight:** Max. 2kg.

**Class:** Ingress protection IP65. Electric shock protection I w. ground. IK06.

**Info notes:** For LED replacement kit please do contact Louis Poulsen. The innovation of the LED technology is constant. The specifications mentioned are based on present technology.

Compatible with leading edge mains dimmers. Please note that low power consumption on some products can affect dimming properties.



Light source	Lumen	Finish	Class	Efficacy	Order-no.	RRP €
LED 3000K 7.6W	428	Aluminium Colour Texture	I	56	5743145829	1,281
LED 3000K 7.6W	428	Black Texture	I	56	5743145803	1,281
LED 3000K 7.6W	428	White Texture	I	56	5743145816	1,281
<b>Sparepart</b>						
AJ 50 Wall replacement kit LED V3					5743145942	237

# AJ Eklipta

## Wall and Ceiling Outdoor

Design: Arne Jacobsen

**Concept:** The fixture emits soft comfortable light. The glass is designed to provide a uniformly lit surface. The three-layer mouth-blown opal glass shade has a transparent edge, providing a decorative halo of light around the fixture.

**Finish:** White, powder coated. White opal glass.

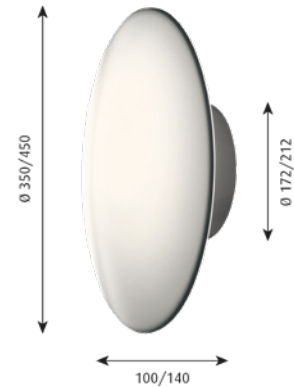
**Material:** Ceiling/Wall box: Die cast aluminium or spun aluminium. Diffuser: Mouth-blown white opal glass.

**Mounting:** Terminal block: Ø 350/Ø 450: 5x2,5mm<sup>2</sup>. Looping: Approved, Ø 350/Ø 450: Max. 5x1,5mm<sup>2</sup>. Ballast positioning: In wall box.

**Weight:** Max. 4kg.

**Class:** Ingress protection IP44. Electric shock protection I w. ground.

**Info notes:** E27 versions can be used for outdoor by wall mounting only. Ø220: Compatible with leading edge mains dimmers. Please note that low power consumption on some products can affect dimming properties.



Dimensions	Light source	Finish	Class	Shield/Diffuser	Body	Mounting	Order-no.	RRP €
Ø 350	1x60W E27	White	I	WHT OPAL	BOX W/SIDE CABLE HOLES	WALL & CEILING	5743155372	641
Ø 450	1x60W E27	White	I	WHT OPAL	BOX W/SIDE CABLE HOLES	WALL & CEILING	5743155424	836
<b>Sparepart</b>								
AJ Eklipta Ø350 glass							5743590018	338
AJ Eklipta Ø450 glass							5743590021	475

# Albertslund Wall

## Wall and Ceiling Outdoor

**Design:** Jens Møller-Jensen

**Concept:** The fixture provides characteristic symmetrical and functional lighting. The horizontal ring reflects the light downwards, but its position also allows some light to slip past and illuminate the fixture itself. The anti-glare ring prevents from horizontal glare, and the diffuser is available either as clear or partly frosted glass, depending on the desired light source.

**Finish:** Galvanized, grey or white, powder coated.

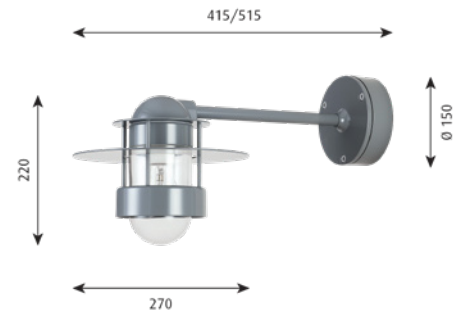
**Material:** Enclosure: Clear glass or partly frosted glass. Saturn ring: Punched aluminium or galvanized, punched steel. Anti glare ring: Spun aluminium or galvanized, extruded steel. Housing: Die cast aluminium. Wall box: Die cast aluminium. Arm: Extruded aluminium.

**Mounting:** Terminal block: 1x3x2.5mm<sup>2</sup>. Cable entries: 2x rear entries for cable Ø 10-14.5mm and 2x bottom knockouts Ø 15mm. Looping: Approved, max. 3x1,5mm<sup>2</sup>. Ballast positioning: In wall box.

**Weight:** Max. 3.5kg.

**Class:** Ingress protection IP44. Electric shock protection I w. ground. IK06.

**Info notes:** The control gear is placed in the wall box. Please note that the top, wall box and arm appears in natural aluminium surface for the versions with galvanised shades. Both natural aluminium and galvanised surfaces will oxidize during time. This can result in an inconsistent surface finish during oxidation. This process might have begun already during stocking/transportation.



Light source	Finish	Class	Shield/Diffuser	Arm type	Order-no.	RRP €
1x100W E27	Galvanized	I	CLEAR	LONG	5743142686	908
1x100W E27	Galvanized	I	CLEAR	SHORT	5743142576	892
1x100W E27	Grey	I	CLEAR	LONG	5743142673	843
1x100W E27	Grey	I	CLEAR	SHORT	5743142709	827
1x100W E27	White	I	CLEAR	LONG	5743142660	843
1x100W E27	White	I	CLEAR	SHORT	5743142699	827
<b>Accessories</b>						
ALB.P/W/C B., GLASS CLEAR					5743590568	128
ALB.P/W/C, GLASS OPAL					5743590571	128
ALB.P/W/C B., GLASS FROST					5743590717	130
ALB.P/W/C, GLASS PART FROST					5743590814	130

# Flindt Wall

## Wall and Ceiling Outdoor

Design: Christian Flindt

**Concept:** The fixture emits an asymmetrical non glary, downward directed light distribution. Softly illuminating its cut-out shape while providing an efficient horizontal illumination on the ground or floor. Perfectly fit for indoor as well as outdoor applications.

**Finish:** Aluminum coloured, white or corten coloured.  
Textured surface, powder coated.

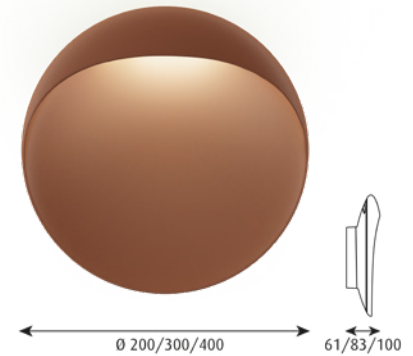
**Material:** Front and back housing: Die casted.  
Light Engine: Die casted aluminum and injection molded acrylic.

**Mounting:** Ø200: Installation cable 3x1.5mm<sup>2</sup>. Looping not possible. Integrated driver.  
Ø300/400: Installation cable- 3x1.5mm<sup>2</sup> + 2x1.5mm<sup>2</sup> (Dimming). Looping possible. Integrated driver.

**Weight:** Max. 4,5kg

**Class:** Ingress protection IP65. Electric shock protection I w. ground. Ø200: IK08.  
Ø300/400: IK09.

**Info notes:** LED Replacement kit available.  
Ø200 LED: Compatible with leading and trailing edge mains dimmers. Please note that low power consumption on some products can affect dimming properties.



Dimensions	Light source	Lumen	Finish	Class	Lighting control	Efficacy	Order-no.	RRP €
Ø 200	LED 2700K 10W	321	Aluminium Colour Texture	I	PHASE DIMMING (MAINS DIMM)	32	5747402047	665
Ø 200	LED 2700K 10W	291	Corten Colour	I	PHASE DIMMING (MAINS DIMM)	29	5747402063	665
Ø 200	LED 2700K 10W	435	White Texture	I	PHASE DIMMING (MAINS DIMM)	43	5747402089	665
Ø 200	LED 3000K 10W	331	Aluminium Colour Texture	I	PHASE DIMMING (MAINS DIMM)	33	5747402050	665
Ø 200	LED 3000K 10W	300	Corten Colour	I	PHASE DIMMING (MAINS DIMM)	30	5747402076	665
Ø 200	LED 3000K 10W	448	White Texture	I	PHASE DIMMING (MAINS DIMM)	45	5747402092	665
Ø 300	LED 2700K 16W	495	Aluminium Colour Texture	I	DALI	31	5747402102	892
Ø 300	LED 2700K 16W	449	Corten Colour	I	DALI	28	5747402128	892
Ø 300	LED 2700K 16W	680	White Texture	I	DALI	43	5747402144	892
Ø 300	LED 3000K 16W	510	Aluminium Colour Texture	I	DALI	32	5747402115	892
Ø 300	LED 3000K 16W	463	Corten Colour	I	DALI	29	5747402131	892
Ø 300	LED 3000K 16W	701	White Texture	I	DALI	44	5747402157	892
Ø 400	LED 2700K 20W	751	Aluminium Colour Texture	I	DALI	38	5747402160	1,168
Ø 400	LED 2700K 20W	680	Corten Colour	I	DALI	34	5747402186	1,168
Ø 400	LED 2700K 20W	1020	White Texture	I	DALI	51	5747402209	1,168
Ø 400	LED 3000K 20W	774	Aluminium Colour Texture	I	DALI	39	5747402173	1,168
Ø 400	LED 3000K 20W	701	Corten Colour	I	DALI	35	5747402199	1,168
Ø 400	LED 3000K 20W	1052	White Texture	I	DALI	53	5747402212	1,168
<b>Sparepart</b>								
Flindt Wall Ø200 replacement LED 27K							5747402225	111
Flindt Wall Ø200 replacement LED 3K							5747402238	111
Flindt Wall Ø300 replacement LED 27K							5747402241	145
Flindt Wall Ø300 replacement LED 3K							5747402254	145
Flindt Wall Ø400 replacement LED 27K							5747402267	195
Flindt Wall Ø400 replacement LED 3K							5747402270	195

# LP Icon Wall

## Wall and Ceiling Outdoor

Design: Mads Odgård

**Concept:** The fixture mainly provides direct downward illumination. The shade is lit up from within and creates a softly diffused glow. Depending on the lenses chosen, the downwardly directed light can be distributed symmetrically or asymmetrically. Optical lenses in front of the LEDs ensure precise light distribution. The reflector surrounding the LED boards and lenses creates a transition from high luminance to lower luminance, thereby reducing uncomfortable contrast.

**Finish:** Aluminum-colored with textured surface. Powder-coated.

**Material:** Shade: High-pressure-molded white opal acrylic. Reflector: Injection-molded plastic (ASA). Diffuser: Toughened clear glass with silkscreen print. A vent for pressure equalization is mounted in the glass. Housing: Die-cast aluminum.

**Mounting:** Wall arm to be ordered separately.

**LED:** Fitting/pipe stub dimensions: Ø 48mm min. 100mm. Installation cable: 9m, 5x1,5mm<sup>2</sup> (Class I) or 9m, 4x1,5mm<sup>2</sup> (Class II). Driver position: In fixture head. Tool-free replacement of LED and driver unit.

**Class:** Ingress protection IP66. Electric shock protection I w/ground, II w/o ground. IK06.

**Info notes:** Wall arm to be ordered separately.

Dimming options: DALI, CLO, and nighttime dimming (default setting: 50% power in 8 hours). All variants available with Zhaga socket for Smart City compatibility, including CLO and nighttime dimming options. LED and driver unit replacement kit including different light beam distributions available. A Retrofit Kit is available for updating conventional LP Icon variants to LED.

The innovation of the LED technology is constant. The specifications mentioned are based on current technology.



Light source	Lumen	Finish	Class	Light technique	Mounting	Lighting control	Plug	Efficacy	Order-no.	RRP €
LED 3000K 61W	6275	Aluminium Colour Texture	I	ASYT3	SIDE-MOUNTED	DAC: DALI + CLO	6000 LUMEN	103	5747840065	2,089
LED 3000K 61W	6432	Aluminium Colour Texture	I	ROT5	SIDE-MOUNTED	DAC: DALI + CLO	6000 LUMEN	105	5747840081	2,089
LED 3000K 61W	6275	Aluminium Colour Texture	II	ASYT3	SIDE-MOUNTED	DPC: NIGHTDIM + CLO	6000 LUMEN	103	5747840117	2,089
LED 3000K 61W	6432	Aluminium Colour Texture	II	ROT5	SIDE-MOUNTED	DPC: NIGHTDIM + CLO	6000 LUMEN	105	5747840133	2,089
LED 3000K LI		Aluminium Colour Texture	I	ASYT3	SIDE-MOUNTED	DAC: DALI + CLO	3000 LUMEN		5747839827	1,791
LED 3000K LI		Aluminium Colour Texture	I	ROT5	SIDE-MOUNTED	DAC: DALI + CLO	3000 LUMEN		5747839843	1,791
LED 3000K LI		Aluminium Colour Texture	II	ASYT3	SIDE-MOUNTED	DPC: NIGHTDIM + CLO	3000 LUMEN		5747839872	1,791
LED 3000K LI		Aluminium Colour Texture	II	ROT5	SIDE-MOUNTED	DPC: NIGHTDIM + CLO	3000 LUMEN		5747839898	1,791
LED 4000K 32W	3323	Aluminium Colour Texture	I	ASYT3	SIDE-MOUNTED	DAC: DALI + CLO	3000 LUMEN	104	5747839940	1,791
LED 4000K 32W	3400	Aluminium Colour Texture	I	ROT5	SIDE-MOUNTED	DAC: DALI + CLO	3000 LUMEN	106	5747839966	1,791
LED 4000K 32W	3323	Aluminium Colour Texture	II	ASYT3	SIDE-MOUNTED	DPC: NIGHTDIM + CLO	3000 LUMEN	104	5747839995	1,791
LED 4000K 32W	3400	Aluminium Colour Texture	II	ROT5	SIDE-MOUNTED	DPC: NIGHTDIM + CLO	3000 LUMEN	106	5747840010	1,791
LED 4000K 61W	6488	Aluminium Colour Texture	I	ASYT3	SIDE-MOUNTED	DAC: DALI + CLO	6000 LUMEN	106	5747840188	2,089
LED 4000K 61W	6650	Aluminium Colour Texture	I	ROT5	SIDE-MOUNTED	DAC: DALI + CLO	6000 LUMEN	109	5747840201	2,089
LED 4000K 61W	6488	Aluminium Colour Texture	II	ASYT3	SIDE-MOUNTED	DPC: NIGHTDIM + CLO	6000 LUMEN	106	5747840230	2,089
LED 4000K 61W	6650	Aluminium Colour Texture	II	ROT5	SIDE-MOUNTED	DPC: NIGHTDIM + CLO	6000 LUMEN	109	5747840256	2,089

### Accessories

LP Icon Wall Arm 048									5747822164	652
----------------------	--	--	--	--	--	--	--	--	------------	-----

# Nyhavn Wall

## Wall and Ceiling Outdoor

**Design:** Alfred Homann & Ole V. Kjær

**Concept:** The conical shade ensures comfortable light that is directed downwards in a wide beam. The shade interior has a white matt painted surface, ensuring uniform light distribution. The rings ensure that a stray light is controlled, and direct a small amount of light onto the top side of the shade for self-illumination.

**Finish:** Copper, brushed or white, wet painted.

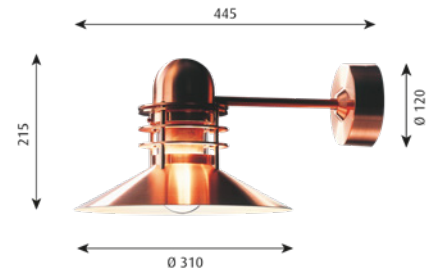
**Material:** Shades: Spun aluminium or spun copper. Enclosure: Clear glass. Top: Spun aluminium or spun copper. Wall box: Die cast aluminium. Wall box cover: Spun aluminium or spun copper. Arm: Copperplated, red brass or steel.

**Mounting:** Terminal block: 1x3x2.5mm<sup>2</sup>. Cable entries: 2x bottom + 3x rear entries for Ø 10-14.5mm cable. Looping: Approved, max. 3x1,5mm<sup>2</sup>.

**Weight:** Max. 4.5kg.

**Class:** Ingress protection IP44. Electric shock protection I w. ground.

**Info notes:** Please note that the copper versions are untreated in order to achieve a verdigris finish over time. This can result in an inconsistent surface finish prior to the product achieving full patina.



Light source	Finish	Class	Shield/Diffuser	Order-no.	RRP €
1x100W E27	Brushed Copper	I	CLEAR	5743200117	2,231
1x100W E27	White	I	CLEAR	5743200104	1,907
<b>Sparepart</b>					
Nyhavn screw f/glass				5743590539	15
Nyhavn Wall glass clear				5743590513	204
Nyhavn Wall glass partly frosted				5743590526	259

# PH 3-2½ Wall

## Wall and Ceiling Outdoor

Design: Poul Henningsen

**Concept:** The fixture is designed based on the principle of a reflective three-shade system, which directs the light downwards. The shades have a matt white painted interior surface, diffusing the light in a comfortable way.

**Finish:** Black, powder coated.

**Material:** Top shade: Spun stainless steel. Middle/lower shade: Spun stainless steel. Shadeholder: Form pressed glass. Wall box: Die cast aluminium. Wall box cover: Spun aluminium. Arm: Stainless steel.

**Mounting:** Terminal block: 1x3x2.5mm<sup>2</sup>. Cable entries: 2x bottom + 3x rear entries for Ø 10-14.5mm cable. Looping: Approved, max. 3x1,5mm<sup>2</sup>.

**Weight:** Max. 2.5kg.

**Class:** Ingress protection IP44. Electric shock protection I w. ground.



Light source	Finish	Class	Order-no.	RRP €
1x60W E27	Black	I	5743145421	1,265
<b>Sparepart</b>				
PH 3-2½ Bollard/Wal glass			5747293418	207
PH 3-2½ Bollard/Wal top screws 3 pcs black			5747293405	39
<b>Accessories</b>				
ANTI-THEFT SCREWS 3 PCS M4X25, ST. STEEL			5743145405	37

# PH Wall

## Wall and Ceiling Outdoor

**Design:** Poul Henningsen

**Concept:** The fixture is designed based on the principle of a reflective three-shade system, which directs the light downwards. The shades have a matt white painted inside to ensure diffused, comfortable light distribution.

**Finish:** Copper, brushed.

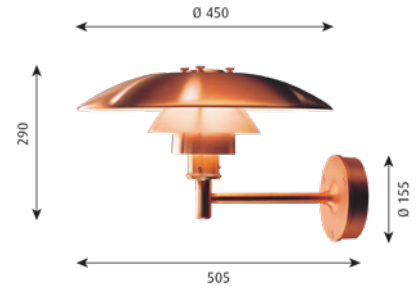
**Material:** Shades: Spun copper. Wall box: Spun copper. Arm: Copper.

**Mounting:** Terminal block: 1x3x2.5mm<sup>2</sup>. Cable entries: 2x bottom + 2x rear entries for Ø 10-14.5mm cable or 2x rear entries for Ø 10-14.5mm cable. Looping: Approved, max. 3x1,5mm<sup>2</sup>.

**Weight:** Max. 6kg.

**Class:** Ingress protection IP23. Electric shock protection I w. ground.

**Info notes:** Please note that the copper surface is untreated in order to achieve a verdigris finish over time. This can result in an inconsistent surface finish prior to the product achieving full patina. This process might have begun already during stocking/ transportation.



Light source	Finish	Class	Body	Order-no.	RRP €
1x100W E27	Brushed Copper	I	BOX W/O SIDE CABLE HOLES	5743143465	2,896
1x100W E27	Brushed Copper	I	BOX W/SIDE CABLE HOLES	5743142880	2,896
<b>Sparepart</b>					
PH Wall finger screw+washer				5743590432	32
Anti-Theft screws 3 pcs M8X20 copper				5747293476	35



# Skot Wall

## Wall and Ceiling Outdoor

Design: LK as

**Concept:** The fixture is available with two types of distribution: symmetric or half shaded. The half shaded is only recommended for wall mounting. The opal diffuser creates a soft light distribution. For higher efficiency the clear version can be selected.

**Finish:** Aluminium coloured or graphite with textured surface, powder coated.

**Material:** Diffuser: Injection moulded clear polycarbonate or injection moulded opal polycarbonate. Base/cross guard: Die cast aluminium.

**Mounting:** Terminal strip: 1x5x6mm<sup>2</sup>. Cable access: 6 rear and 3 push-out blanks on each side, Ø19mm. Looping: Approved, max. 4x2.5mm<sup>2</sup>.

**Weight:** Max. 2.5kg.

**Class:** Ingress protection IP66. Electric shock protection II w/o ground. IK10.

**Info notes:** The innovation of the LED technology is constant. The specifications mentioned are based on present technology.



Light source	Lumen	Finish	Class	Shield/Diffuser	Efficacy	Order-no.	RRP €
LED 3000K 6.5W	660	Aluminium Colour	II	CLEAR	101	5743150209	973
LED 3000K 6.5W	505	Aluminium Colour	II	HALF SHADED CLEAR	78	5743150225	973
LED 3000K 6.5W	381	Aluminium Colour	II	HALF SHADED OPAL	59	5743150267	973
LED 3000K 6.5W	522	Aluminium Colour	II	OPAL	80	5743150241	973
LED 3000K 6.5W	660	Graphite Grey Texture	II	CLEAR	101	5743150212	973
LED 3000K 6.5W	505	Graphite Grey Texture	II	HALF SHADED CLEAR	78	5743150238	973
LED 3000K 6.5W	381	Graphite Grey Texture	II	HALF SHADED OPAL	59	5743150270	973
LED 3000K 6.5W	522	Graphite Grey Texture	II	OPAL	80	5743150254	973
LED 4000K 6.5W	671	Aluminium Colour	II	CLEAR	103	5743150283	973
LED 4000K 6.5W	514	Aluminium Colour	II	HALF SHADED CLEAR	79	5743150306	973
LED 4000K 6.5W	388	Aluminium Colour	II	HALF SHADED OPAL	60	5743150348	973
LED 4000K 6.5W	530	Aluminium Colour	II	OPAL	81	5743150322	973
LED 4000K 6.5W	671	Graphite Grey Texture	II	CLEAR	103	5743150296	973
LED 4000K 6.5W	514	Graphite Grey Texture	II	HALF SHADED CLEAR	79	5743150319	973
LED 4000K 6.5W	388	Graphite Grey Texture	II	HALF SHADED OPAL	60	5743150351	973
LED 4000K 6.5W	530	Graphite Grey Texture	II	OPAL	81	5743150335	973

### Sparepart

Skot ring w/half diffuser ALU	5743146284	150
Skot ring w/half diffuser GRAPH	5743146297	150
Skot unbrako screw M6	5743146572	19
Skot alu. net	5743146556	190
Skot graphite net	5743146569	190
Skot ½ diffuser clear ALU	5743163115	202
Skot gasket for diffuser	5743146271	30
Skot replacement kit LED 3K f/diffuser V2	5743150364	371
Skot replacement kit LED 4K f/diffuser V2	5743150380	371
Skot replacement kit LED 3K f/half diffuser V2	5743150377	414
Skot replacement kit LED 4K f/half diffuser V2	5743150393	414
Skot diffuser clear	5743146187	59
Skot diffuser opal	5743146190	59

# Toldbod 155 Wall

## Wall and Ceiling Outdoor

Design: Louis Poulsen A/S

**Concept:** The light is directed 100% downwards, and the shade has a matt white painted inside which emits a soft, diffused, comfortable light. The fixture fulfils full cut-off criteria.

**Finish:** Aluminium coloured with textured surface or black with textured surface, powder coated.

**Material:** Fixture head: Chilled casting aluminium. Shield: Laser cut acrylic satine. Wall box: Die cast aluminium. Arm: Chilled casting aluminium.

**Mounting:** Terminal block: 1x3x2.5mm<sup>2</sup>. Cable entries: 2x bottom + 3x rear entries for Ø 10-14.5mm cable. Looping: Approved, max. 3x1,5mm<sup>2</sup>.

**Weight:** Max. 1.5kg.

**Class:** Ingress protection IP44. Electric shock protection I w. ground. IK05.



Light source	Finish	Class	Order-no.	RRP €
E14	Aluminium Colour Texture	I	5743145913	722
E14	Black Texture	I	5743145926	722
<b>Sparepart</b>				
Toldbod Wall/Bollard 155 shield			5743145528	40

# Toldbod 220/290 Wall

## Wall and Ceiling Outdoor

Design: Louis Poulsen A/S

**Concept:** The light is directed 100% downwards and the shade has a matt white painted interior emitting a soft, diffused, comfortable light. The fixture fulfills full cut-off criteria.

**Finish:** Aluminium coloured with textured surface or black with textured surface, powder coated.

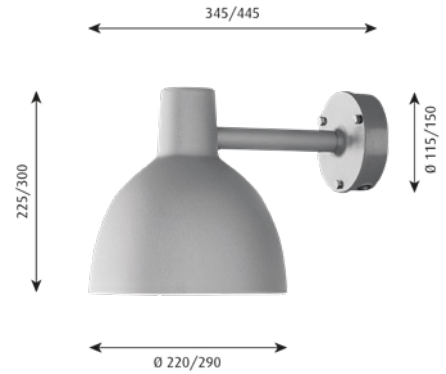
**Material:** Fixture head: Die cast aluminium. Shield: Injection moulded clear polycarbonate. Wall box: Die cast aluminium. Arm: Extruded aluminium.

**Mounting:** Terminal block: 1x3x2.5mm<sup>2</sup>, LED: 1x5x2,5mm<sup>2</sup>. Cable entries: Ø 290: 2x rear entries and 2x bottom entries to Ø 10- 14.5mm cable. Ø 220: 3x rear entries and 2x knock outs in bottom to Ø 10-14.5mm cable. Looping: Approved, max. 3x1,5mm<sup>2</sup>.

**Weight:** Max. 5kg.

**Class:** Ingress protection, Ø 220: IP43, IK09. Ø 290: IP44, LED: IP44, IK08. Electric shock protection I w. ground.

**Info notes:** The wall box and arm are painted in the same colour as the fixture head. An LED upgrade kit is available for Toldbod Ø290. Please find more information under the section LED Upgrade Kit on our website. The innovation of the LED technology is constant. The specifications mentioned are based on present technology.



Dimensions	Light source	Lumen	Finish	Class	Lighting control	Efficacy	Order-no.	RRP €
Ø 220	1x100W E27		Aluminium Colour Texture	I			5743160529	1,168
Ø 220	1x100W E27		Black Texture	I			5743160752	1,168
Ø 290	LED 3000K 20W	1928	Aluminium Colour Texture	I	DAC: DALI + CLO	96	5743156892	1,953
Ø 290	LED 3000K 20W	1928	Black Texture	I	DAC: DALI + CLO	96	5743156902	1,953
Ø 290	LED 4000K 20W	1988	Aluminium Colour Texture	I	DAC: DALI + CLO	99	5743156915	1,953
Ø 290	LED 4000K 20W	1988	Black Texture	I	DAC: DALI + CLO	99	5743156928	1,953
<b>Sparepart</b>								
	Toldbod 290 diffuser						5747305050	133
	Toldbod 220 Wall diffuser						5743590487	137

Please contact Louis Poulsen regarding Class II.

# AL 600

## Wall and Ceiling

Design: Mads Odgård

**Concept:** The fixture has a very wide beam width. The light distribution is optimized for lighting in narrow surroundings like tunnels and arcades. The design is low and sturdy.

**Finish:** Aluminium coloured with textured surface, powder coated.

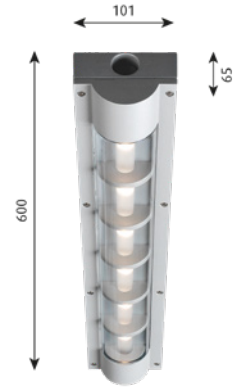
**Material:** Housing: Die cast aluminium. Diffuser: Polycarbonate.

**Mounting:** Looping: Approved, max 5x2,5 mm<sup>2</sup>. Integral ballast. Installation cable: 8-13mm. (not enclosed).

**Weight:** Max. 3 kg.

**Class:** Ingress protection IP65. Electric shock protection II w/o ground. IK10.

**Info notes:** Can be fitted directly on a wall or ceiling. Connection in each end, by 5x2,5mm<sup>2</sup> terminals. Delivered with integrated search protection device (SPD). For LED replacement kit please do contact Louis Poulsen. The innovation of the LED technology is constant. The specifications mentioned are based on present technology.



Light source	Lumen	Finish	Class	Reflector	Efficacy	Order-no.	RRP €
LED 6 POWER 3000K 10/15W	816	Aluminium Colour Texture	II	VERY WIDE	68	5742580676	1,608
LED 6 POWER 3000K 6,5W	588	Aluminium Colour Texture	II	VERY WIDE	77	5742580650	1,466
<b>Sparepart</b>							
AL 0600 replacement kit LED CLII						5742580553	358

# Kipp Wall

## Wall and Ceiling

Design: Alfred Homann

**Concept:** The fixture emits symmetrical light directed downward. The relation between the slightly curved top shade and the angle of the inner opal diffuser ensures a wide non glare light distribution.

**Finish:** Aluminium coloured with textured surface or graphite grey, powder coated.

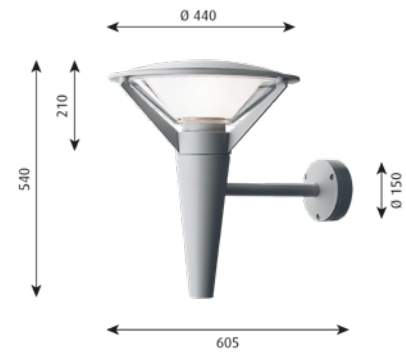
**Material:** Diffuser: Injection moulded white opal acrylic. Top shade: Die cast aluminium. Enclosure: Injection moulded clear polycarbonate. Frame: Die cast aluminium. Wall box: Die cast aluminium. Arm: Extruded aluminium.

**Mounting:** Terminal block: 1x3x2.5mm<sup>2</sup>. Cable entries: 2x rear and 2x bottom entries, Ø 20mm. Looping: Approved, max. 3x1,5mm<sup>2</sup>.

**Weight:** Max. 7.5kg.

**Class:** Ingress protection IP55. Electric shock protection I w. ground. IK10.

**Info notes:** Delivered with integrated Surge Protection Devicee (SPD). Driver located in the conical fixture housing. The innovation of the LED technology is constant. The specifications mentioned are based on present technology.



Light source	Lumen	Finish	Class	Efficacy	Order-no.	RRP €
LED 3000K 28W	1454	Aluminium Colour Texture	I	52	5743400768	2,515
LED 3000K 28W	1454	Graphite Grey	I	52	5743400771	2,515
LED 4000K 28W	1454	Aluminium Colour Texture	I	52	5743400700	2,515
LED 4000K 28W	1454	Graphite Grey	I	52	5743400713	2,515
<b>Sparepart</b>						
Kipp Ø440 diffuser clear polycarbonate					5747815906	250
Kipp Ø440 diffuser inner opal conical					5747815870	97

Please contact Louis Poulsen regarding Class II.

# Skot Ceiling

## Wall and Ceiling

Design: LK as

**Concept:** The fixture is available with two types of distribution: symmetric or half shaded. The half shaded is only recommended for wall mounting. The opal diffuser creates a soft light distribution. For higher efficiency the clear version can be selected.

**Finish:** Aluminium coloured or graphite with textured surface, powder coated.

**Material:** Diffuser: Injection moulded clear polycarbonate or injection moulded opal polycarbonate. Base/cross guard: Die cast aluminium.

**Mounting:** Terminal strip: 1x5x6mm<sup>2</sup>. Cable access: 6 rear and 3 push-out blanks on each side, Ø19mm. Looping: Approved, max. 4x2.5mm<sup>2</sup>.

**Weight:** Max. 2.5kg.

**Class:** Ingress protection IP66. Electric shock protection II w/o ground. IK10.

**Info notes:** For LED replacement kit please do contact Louis Poulsen. The innovation of the LED technology is constant. The specifications mentioned are based on present technology.



Light source	Lumen	Finish	Class	Shield/Diffuser	Efficacy	Order-no.	RRP €
LED 3000K 6.5W	660	Aluminium Colour	II	CLEAR	101	5743150209	973
LED 3000K 6.5W	522	Aluminium Colour	II	OPAL	80	5743150241	973
LED 3000K 6.5W	660	Graphite Grey Texture	II	CLEAR	101	5743150212	973
LED 3000K 6.5W	522	Graphite Grey Texture	II	OPAL	80	5743150254	973
LED 4000K 6.5W	671	Aluminium Colour	II	CLEAR	103	5743150283	973
LED 4000K 6.5W	530	Aluminium Colour	II	OPAL	81	5743150322	973
LED 4000K 6.5W	671	Graphite Grey Texture	II	CLEAR	103	5743150296	973
LED 4000K 6.5W	530	Graphite Grey Texture	II	OPAL	81	5743150335	973
<b>Sparepart</b>							
Skot unbrako screw M6						5743146572	19
Skot alu. net						5743146556	190
Skot graphite net						5743146569	190
Skot gasket for diffuser						5743146271	30
Skot diffuser clear						5743146187	59
Skot diffuser opal						5743146190	59

# AJ Garden Bollard

## Bollard

Design: Arne Jacobsen

**Concept:** This outdoor lamp emits a pleasant fully shaded downward directed, glare-free light. It is available in two different heights, and has a fixed head and the inside of the shade is painted white to ensure a soft, pleasant reflection of light. The shape of the shade provides superior lighting, allowing an optimal view of the surroundings. The garden bollard can be fitted with three different installation types namely a base plate, a spike or an anchor.

**Finish:** Outside: Black, textured surface, powder coated.  
Inside: White, wet paint.

**Material:** Head: Cast aluminium.  
Stem and base plate: Stainless steel.  
Spike: Cast aluminium with ABS housing.  
Anchor: Steel.  
Diffuser: Injection molded opal PC.

**Mounting:** The adapter is positioned externally from the bollard and can run up to 6 bollards.  
Maximum distance to last bollard is 30m.  
Length of enclosed cables: 5m.  
Stem: Ø12 mm.

**Mounting with spike unit: (Plug and Play).** Put the spike into the ground.  
Let the enclosed cables run over the ground. The bollard is connected to adapter using standard plugs delivered with the fixture.

**Mounting with anchor unit: (Certified electrician).** Fixed in concrete.  
Use installation tubes for inground installation, with enclosed cables running inside, for legal fixed installation. Requires installation by certified electrician.

**Mounting with baseplate: (Certified electrician).** For surface mounting.  
Use installation tube for inground installation, with enclosed cables running inside, for legal fixed installation. Requires installation by certified electrician.

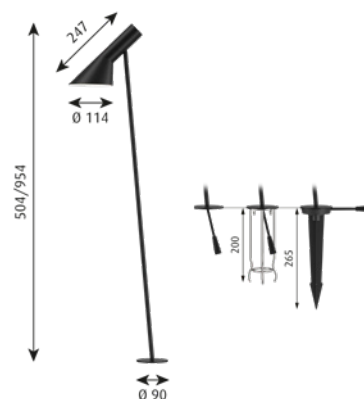
**Weight:** Max 1.8 kg.

**Class:** Ingress protection: IP 65.  
Electric shock protection III.  
IK06

**Info notes:** The adapter is positioned externally from the fixture and can run up to 6 bollards. Maximum distance to last bollard is 30m.

**Spike:** Plug and play. Let the enclosed cables run over the ground. Uses standard cables and connectors which are supplied.  
**Anchor/Base:** Requires certified electrician. Use installation tube for inground installation, with enclosed cables running inside, for legal fixed installation.

LED replacement kit available. Replacement of the built-in LED requires a certified electrician.



Dimensions	Light source	Lumen	Finish	Class	Mounting	Efficacy	Order-no.	RRP €
LONG	LED 2700K 6.5W	454	Black Texture	III	BASE AND W/ADAPTOR	70	5747306554	941
LONG	LED 2700K 6.5W	454	Black Texture	III	ANCHOR AND W/ADAPTOR	70	5747306583	1,014
LONG	LED 2700K 6.5W	454	Black Texture	III	SPIKE AND W/ADAPTOR	70	5747306619	957
LONG	LED 2700K 6.5W	454	Black Texture	III	BASE AND WO/ADAPTOR	70	5747306868	766
LONG	LED 2700K 6.5W	454	Black Texture	III	ANCHOR AND WO/ADAPTOR	70	5747306897	819
LONG	LED 3000K 6.5W	454	Black Texture	III	BASE AND W/ADAPTOR	70	5747306541	941
LONG	LED 3000K 6.5W	454	Black Texture	III	ANCHOR AND W/ADAPTOR	70	5747306570	1,014
LONG	LED 3000K 6.5W	454	Black Texture	III	SPIKE AND W/ADAPTOR	70	5747306606	957
LONG	LED 3000K 6.5W	454	Black Texture	III	BASE AND WO/ADAPTOR	70	5747306855	766
LONG	LED 3000K 6.5W	454	Black Texture	III	ANCHOR AND WO/ADAPTOR	70	5747306884	819
LONG	LED 4000K 6.5W	524	Black Texture	III	ANCHOR AND W/ADAPTOR	81	5747306567	1,014
LONG	LED 4000K 6.5W	524	Black Texture	III	SPIKE AND W/ADAPTOR	81	5747306596	957
LONG	LED 4000K 6.5W	524	Black Texture	III	BASE AND WO/ADAPTOR	81	5747306842	766
LONG	LED 4000K 6.5W	524	Black Texture	III	ANCHOR AND WO/ADAPTOR	81	5747306871	819

Dimensions	Light source	Lumen	Finish	Class	Mounting	Efficacy	Order-no.	RRP €
LONG	LED 4000K 6.5W	524	Black Texture	III	BASE AND W/ADAPTOR	81	5747306538	941
SHORT	LED 2700K 6.5W	454	Black Texture	III	BASE AND W/ADAPTOR	70	5747306460	892
SHORT	LED 2700K 6.5W	454	Black Texture	III	ANCHOR AND W/ADAPTOR	70	5747306499	965
SHORT	LED 2700K 6.5W	454	Black Texture	III	SPIKE AND W/ADAPTOR	70	5747306525	908
SHORT	LED 2700K 6.5W	454	Black Texture	III	BASE AND WO/ADAPTOR	70	5747306774	718
SHORT	LED 2700K 6.5W	454	Black Texture	III	ANCHOR AND WO/ADAPTOR	70	5747306800	770
SHORT	LED 3000K 6.5W	454	Black Texture	III	BASE AND W/ADAPTOR	70	5747306457	892
SHORT	LED 3000K 6.5W	454	Black Texture	III	ANCHOR AND W/ADAPTOR	70	5747306486	965
SHORT	LED 3000K 6.5W	454	Black Texture	III	SPIKE AND W/ADAPTOR	70	5747306512	908
SHORT	LED 3000K 6.5W	454	Black Texture	III	BASE AND WO/ADAPTOR	70	5747306761	718
SHORT	LED 3000K 6.5W	454	Black Texture	III	ANCHOR AND WO/ADAPTOR	70	5747306790	770
SHORT	LED 4000K 6.5W	524	Black Texture	III	BASE AND W/ADAPTOR	81	5747306444	892
SHORT	LED 4000K 6.5W	524	Black Texture	III	ANCHOR AND W/ADAPTOR	81	5747306473	965
SHORT	LED 4000K 6.5W	524	Black Texture	III	SPIKE AND W/ADAPTOR	81	5747306509	908
SHORT	LED 4000K 6.5W	524	Black Texture	III	BASE AND WO/ADAPTOR	81	5747306758	718
SHORT	LED 4000K 6.5W	524	Black Texture	III	ANCHOR AND WO/ADAPTOR	81	5747306787	770



# Bysted

## Bollard

Design: Peter Bysted

**Concept:** The fixture emits light directed downwards. The shades have a white painted undersurface to achieve optimal light reflection and produce a characteristic symmetric light pattern around the fixture.

**Finish:** Corten steel, raw.

**Material:** Fixture head: Die cast iron. Post: corten steel. Base plate: corten steel.

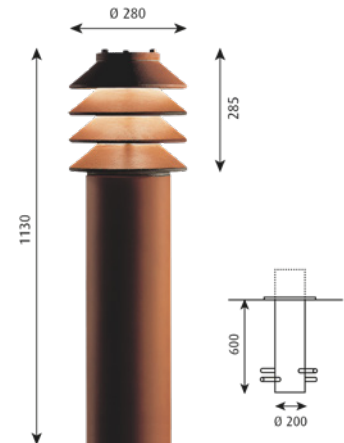
**Mounting:** In-ground struts: Yes. Terminal block positioning: In post. Looping: Approved, max 5x6mm<sup>2</sup>. Driver position: In pole top. Max. installation cable: Depending on junction box. Post f/in-ground installation: H: 1445mm excl. fixture head, in-ground part: 600mm. Post w/base plate for surface mounting: H: 845mm excl. fixture head. Post dia. 200mm.

**Weight:** Max. 44.5kg.

**Class:** Ingress protection IP65. Electric shock protection II w/o ground. IK09.

**Info notes:** Post for base plate installation supplied without anchor bolts. Anchor bolts to be sourced locally. Oxidation of both corten steel and cast iron gives a rough and "rusty" looking surface which protects the material from further corrosion. The speed of the oxidation process is faster for corten than it is for cast iron. Supplied with hole bracket for junction box. LED: CLO, integrated fuse and SPD as standard. A Retrofit Kit is available for updating conventional Bysted variants to LED variants. The innovation of the LED technology is constant. The specifications mentioned are based on present technology.

Please contact Louis Poulsen for 2700K, LED Replacement Kit and more info about supported Light Management Systems.



Light source	Lumen	Finish	Class	Mounting	Pole/Post	Lighting control	Efficacy	Order-no.	RRP €
LED 3000K 24W	696	Corten Steel	II	W/ACCESS DOOR	POST W/BASE PLATE	DAC: DALI + CLO	29	5747400926	4,370
LED 3000K 24W	696	Corten Steel	II	W/ACCESS DOOR	POST F/IN-GROUND INSTALLATION	DAC: DALI + CLO	29	5747400913	4,223
<b>Sparepart</b>									
Bysted top cover screws								5747811081	17
Bysted replacement kit LED								5747400955	191
<b>Accessories</b>									
BYSTED AQUA STOPPER								5747811104	77

Please contact Louis Poulsen for 2700K, LED Replacement Kit and more info about supported Light Management Systems.

# Bysted Garden Bollard

## Bollard

Design: Peter Bysted

**Concept:** The fixture has a round symmetrical design with four rings reflecting the light in a soft downward direction. The rings have a soft glow while their white underside achieve optimal light reflection and produce a characteristic symmetric light pattern on the ground.

**Finish:** Aluminium coloured or corten coloured. Textured surface, powder coated.

**Material:** Top: Cast aluminium. Reflector part: Cast aluminium. Post: Extruded aluminium. Base plate, spike and anchor: Cast aluminium. Diffuser: PC

**Mounting:** The adapter is positioned externally from the bollard and can run up to 4 bollards.

Maximum distance to last bollard is 30m.

Post dia. Ø95mm.

**Mounting with spike unit: (Plug and Play).** Put the spike into the ground.

Let the enclosed cables run over the ground. The bollard is connected to adapter using standard plugs delivered with the fixture.

**Mounting with anchor unit: (Certified electrician).** Fixed in concrete.

Use installation tubes for inground installation, with enclosed cables running inside, for legal fixed installation. Requires installation by certified electrician.

**Mounting with baseplate: (Certified electrician).** For surface mounting.

Use installation tube for inground installation, with enclosed cables running inside, for legal fixed installation. Requires installation by certified electrician.

**Weight:** Max. 6 kg

**Class:** Ingress protection w/spike: IP 65

Ingress protection w/anchor: IP 65 (Head), IP44 (Anchor)

Ingress protection w/base plate: IP 65 (Head), IP44 (Baseplate)

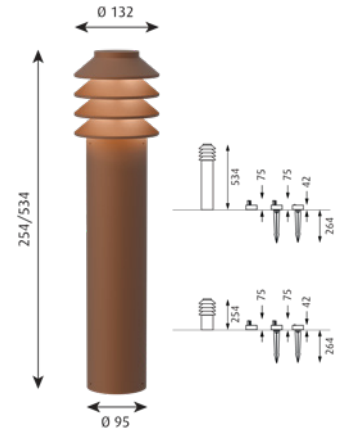
Electric shock protection III

IK06

**Info notes:** The adapter is positioned externally from the fixture and can run up to 4 bollards. Maximum distance to last bollard is 30m.

**Spike:** Uses standard cables and connectors which are supplied. Plug and play.

**Anchor/Base:** Use installation cable for legal fixed installation. Adapter requires installation by certified electrician if used with anchor or base.



Dimensions	Light source	Lumen	Finish	Class	Mounting	Efficacy	Order-no.	RRP €
LONG	LED 2700K		Aluminium Colour Texture		BASE AND W/O/ADAPTOR		5747404919	518
LONG	LED 2700K		Aluminium Colour Texture		ANCHOR AND W/O/ADAPTOR		5747404948	562
LONG	LED 2700K		Corten Colour		BASE AND W/O/ADAPTOR		5747404579	518
LONG	LED 2700K		Corten Colour		ANCHOR AND W/O/ADAPTOR		5747404595	562
LONG	LED 2700K 14W	275	Aluminium Colour Texture	III	BASE AND W/ADAPTOR	20	5747404731	713
LONG	LED 2700K 14W	275	Aluminium Colour Texture	III	ANCHOR AND W/ADAPTOR	20	5747404760	756
LONG	LED 2700K 14W	275	Aluminium Colour Texture	III	SPIKE AND W/ADAPTOR	20	5747404799	713
LONG	LED 2700K 14W	275	Aluminium Colour Texture	III	SPIKE W/O ADAP W/CONNECTOR	20	5747405772	538
LONG	LED 2700K 14W	247	Corten Colour	III	BASE AND W/ADAPTOR	18	5747404456	713
LONG	LED 2700K 14W	247	Corten Colour	III	ANCHOR AND W/ADAPTOR	18	5747404472	756
LONG	LED 2700K 14W	247	Corten Colour	III	SPIKE AND W/ADAPTOR	18	5747404498	713
LONG	LED 2700K 14W	247	Corten Colour	III	SPIKE W/O ADAP W/CONNECTOR	18	5747405714	538
LONG	LED 3000K		Aluminium Colour Texture		BASE AND W/O/ADAPTOR		5747404906	518
LONG	LED 3000K		Aluminium Colour Texture		ANCHOR AND W/O/ADAPTOR		5747404935	562
LONG	LED 3000K		Corten Colour		ANCHOR AND W/O/ADAPTOR		5747404582	562
LONG	LED 3000K		Corten Colour		BASE AND W/O/ADAPTOR		5747404566	518
LONG	LED 3000K 14W	288	Aluminium Colour Texture	III	BASE AND W/ADAPTOR	21	5747404728	713
LONG	LED 3000K 14W	288	Aluminium Colour Texture	III	ANCHOR AND W/ADAPTOR	21	5747404757	756
LONG	LED 3000K 14W	288	Aluminium Colour Texture	III	SPIKE AND W/ADAPTOR	21	5747404786	713
LONG	LED 3000K 14W	288	Aluminium Colour Texture	III	SPIKE W/O ADAP W/CONNECTOR	21	5747405769	538
LONG	LED 3000K 14W	259	Corten Colour	III	BASE AND W/ADAPTOR	18	5747404443	713
LONG	LED 3000K 14W	259	Corten Colour	III	ANCHOR AND W/ADAPTOR	18	5747404469	756

Dimensions	Light source	Lumen	Finish	Class	Mounting	Efficacy	Order-no.	RRP €
LONG	LED 3000K 14W	259	Corten Colour	III	SPIKE AND W/ADAPTOR	18	5747404485	713
LONG	LED 3000K 14W	259	Corten Colour	III	SPIKE W/O ADAP W/CONNECTOR	18	5747405701	538
LONG	LED 4000K		Aluminium Colour Texture		BASE AND W/ADAPTOR		5747404896	518
LONG	LED 4000K		Aluminium Colour Texture		ANCHOR AND W/ADAPTOR		5747404922	562
LONG	LED 4000K 14W	324	Aluminium Colour Texture	III	BASE AND W/ADAPTOR	23	5747404715	713
LONG	LED 4000K 14W	324	Aluminium Colour Texture	III	ANCHOR AND W/ADAPTOR	23	5747404744	756
LONG	LED 4000K 14W	324	Aluminium Colour Texture	III	SPIKE AND W/ADAPTOR	23	5747404773	713
LONG	LED 4000K 14W	324	Aluminium Colour Texture	III	SPIKE W/O ADAP W/CONNECTOR	23	5747405756	538
SHORT	LED 2700K		Aluminium Colour Texture		BASE AND W/ADAPTOR		5747404825	475
SHORT	LED 2700K		Aluminium Colour Texture		ANCHOR AND W/ADAPTOR		5747404854	519
SHORT	LED 2700K		Corten Colour		BASE AND W/ADAPTOR		5747404511	475
SHORT	LED 2700K		Corten Colour		ANCHOR AND W/ADAPTOR		5747404537	519
SHORT	LED 2700K 14W	275	Aluminium Colour Texture	III	BASE AND W/ADAPTOR	20	5747404647	670
SHORT	LED 2700K 14W	275	Aluminium Colour Texture	III	ANCHOR AND W/ADAPTOR	20	5747404676	713
SHORT	LED 2700K 14W	275	Aluminium Colour Texture	III	SPIKE AND W/ADAPTOR	20	5747404702	670
SHORT	LED 2700K 14W	275	Aluminium Colour Texture	III	SPIKE W/O ADAP W/CONNECTOR	20	5747405743	495
SHORT	LED 2700K 14W	247	Corten Colour	III	BASE AND W/ADAPTOR	18	5747404391	670
SHORT	LED 2700K 14W	247	Corten Colour	III	ANCHOR AND W/ADAPTOR	18	5747404414	713
SHORT	LED 2700K 14W	247	Corten Colour	III	SPIKE AND W/ADAPTOR	18	5747404430	670
SHORT	LED 2700K 14W	247	Corten Colour	III	SPIKE W/O ADAP W/CONNECTOR	18	5747405691	495
SHORT	LED 3000K		Aluminium Colour Texture		BASE AND W/ADAPTOR		5747404812	475
SHORT	LED 3000K		Aluminium Colour Texture		ANCHOR AND W/ADAPTOR		5747404841	519
SHORT	LED 3000K		Corten Colour		BASE AND W/ADAPTOR		5747404508	475
SHORT	LED 3000K		Corten Colour		ANCHOR AND W/ADAPTOR		5747404524	519
SHORT	LED 3000K 14W	288	Aluminium Colour Texture	III	BASE AND W/ADAPTOR	21	5747404634	670
SHORT	LED 3000K 14W	288	Aluminium Colour Texture	III	ANCHOR AND W/ADAPTOR	21	5747404663	713
SHORT	LED 3000K 14W	288	Aluminium Colour Texture	III	SPIKE AND W/ADAPTOR	21	5747404692	670
SHORT	LED 3000K 14W	288	Aluminium Colour Texture	III	SPIKE W/O ADAP W/CONNECTOR	21	5747405730	495
SHORT	LED 3000K 14W	259	Corten Colour	III	BASE AND W/ADAPTOR	18	5747404388	670
SHORT	LED 3000K 14W	259	Corten Colour	III	ANCHOR AND W/ADAPTOR	18	5747404401	713
SHORT	LED 3000K 14W	259	Corten Colour	III	SPIKE AND W/ADAPTOR	18	5747404427	670
SHORT	LED 3000K 14W	259	Corten Colour	III	SPIKE W/O ADAP W/CONNECTOR	18	5747405688	495
SHORT	LED 4000K		Aluminium Colour Texture		BASE AND W/ADAPTOR		5747404809	475
SHORT	LED 4000K		Aluminium Colour Texture		ANCHOR AND W/ADAPTOR		5747404838	519
SHORT	LED 4000K 14W	324	Aluminium Colour Texture	III	BASE AND W/ADAPTOR	23	5747404621	670
SHORT	LED 4000K 14W	324	Aluminium Colour Texture	III	ANCHOR AND W/ADAPTOR	23	5747404650	713
SHORT	LED 4000K 14W	324	Aluminium Colour Texture	III	SPIKE AND W/ADAPTOR	23	5747404689	670
SHORT	LED 4000K 14W	324	Aluminium Colour Texture	III	SPIKE W/O ADAP W/CONNECTOR	23	5747405727	495

# Flindt Bollard

## Bollard

**Design:** Christian Flindt

**Concept:** The fixture emits an asymmetrical non glaring wide light directed downwards. The light creates an organic pattern on the surface where the bollard is mounted.

**Finish:** Aluminium coloured or corten coloured. Textured surface, powder coated.

**Material:** Top: Cast aluminium. Reflector part: Cast aluminium. Post: Extruded aluminium. Base plate: Cast aluminium.

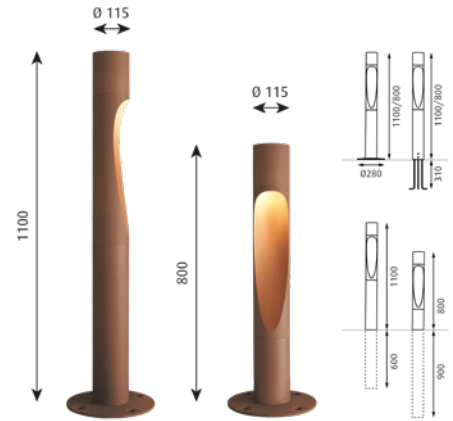
**Mounting:** Terminal block position: In the top. Looping: Approved, max. 5x6mm<sup>2</sup>. Driver position: In the top. Post f/in ground installation: H: 1700mm incl. fixture head, in ground part 600 or 900mm. Post w/anchorage unit: H: 1110/1410mm incl. fixture head, in ground anchorage unit 310mm. Post w/base plate for surface mounting: H 800/1100mm incl. fixture head. Post dia. Ø115mm.

**Weight:** Max 10.4kg.

**Class:** Ingress protection IP65. Electric shock protection I w. ground, II w/o ground. IK10.

**Info notes:** The bollard is equipped with 2 pcs LED's for maximizing the vertical light distribution. Delivered with integrated Surge Protection Devicee (SPD). The innovation of the LED technology is constant. The specifications mentioned are based on present technology.

Please contact Louis Poulsen for 2700K.



Dimensions	Light source	Lumen	Finish	Class	Mounting	Pole/Post	Lighting control	Efficacy	Order-no.	RRP €
1100mm	LED 3000K 12W	671	Aluminium Colour Texture	I	POST W/ANCHORAGE UNIT	BOLLARD POST	DAC: DALI + CLO	56	5747407123	2,052
1100mm	LED 3000K 12W	671	Aluminium Colour Texture	I		POST W/BASE PLATE	DAC: DALI + CLO	56	5747407136	2,052
1100mm	LED 3000K 12W	671	Aluminium Colour Texture	I		POST F/IN-GROUND INSTALLATION	DAC: DALI + CLO	56	5747407644	2,052
1100mm	LED 3000K 12W	671	Aluminium Colour Texture	I		POST W/BASE PLATE	DPC: NIGHTDIM + CLO	56	5747407466	2,052
1100mm	LED 3000K 12W	671	Aluminium Colour Texture	I		POST F/IN-GROUND INSTALLATION	DPC: NIGHTDIM + CLO	56	5747407479	2,052
1100mm	LED 3000K 12W	671	Aluminium Colour Texture	I	POST W/ANCHORAGE UNIT	BOLLARD POST	DPC: NIGHTDIM + CLO	56	5747407673	2,052
1100mm	LED 3000K 12W	671	Aluminium Colour Texture	II		POST F/IN-GROUND INSTALLATION	DAC: DALI + CLO	56	5747407107	2,052
1100mm	LED 3000K 12W	671	Aluminium Colour Texture	II		POST W/BASE PLATE	DAC: DALI + CLO	56	5747407110	2,052
1100mm	LED 3000K 12W	671	Aluminium Colour Texture	II	POST W/ANCHORAGE UNIT	BOLLARD POST	DAC: DALI + CLO	56	5747407149	2,052
1100mm	LED 3000K 12W	671	Aluminium Colour Texture	II		POST W/BASE PLATE	DPC: NIGHTDIM + CLO	56	5747407482	2,052
1100mm	LED 3000K 12W	671	Aluminium Colour Texture	II		POST F/IN-GROUND INSTALLATION	DPC: NIGHTDIM + CLO	56	5747407495	2,052
1100mm	LED 3000K 12W	671	Aluminium Colour Texture	II	POST W/ANCHORAGE UNIT	BOLLARD POST	DPC: NIGHTDIM + CLO	56	5747407660	2,052
1100mm	LED 3000K 12W	622	Corten Colour	I		POST F/IN-GROUND INSTALLATION	DAC: DALI + CLO	52	5747407152	2,052
1100mm	LED 3000K 12W	622	Corten Colour	I		POST W/BASE PLATE	DAC: DALI + CLO	52	5747407563	2,052
1100mm	LED 3000K 12W	622	Corten Colour	I	POST W/ANCHORAGE UNIT	BOLLARD POST	DAC: DALI + CLO	52	5747407657	2,052
1100mm	LED 3000K 12W	622	Corten Colour	I		POST F/IN-GROUND INSTALLATION	DPC: NIGHTDIM + CLO	52	5747407576	2,052
1100mm	LED 3000K 12W	622	Corten Colour	I	POST W/ANCHORAGE UNIT	BOLLARD POST	DPC: NIGHTDIM + CLO	52	5747407699	2,052
1100mm	LED 3000K 12W	622	Corten Colour	I		POST W/BASE PLATE	DAC: DALI + CLO	52	5747407547	2,052
1100mm	LED 3000K 12W	622	Corten Colour	II		POST F/IN-GROUND INSTALLATION	DAC: DALI + CLO	52	5747407165	2,052
1100mm	LED 3000K 12W	622	Corten Colour	II		POST W/BASE PLATE	DAC: DALI + CLO	52	5747407178	2,052
1100mm	LED 3000K 12W	622	Corten Colour	II	POST W/ANCHORAGE UNIT	BOLLARD POST	DAC: DALI + CLO	52	5747407550	2,052
1100mm	LED 3000K 12W	622	Corten Colour	II		POST W/BASE PLATE	DAC: DALI + CLO	52	5747407589	2,052
1100mm	LED 3000K 12W	622	Corten Colour	II		POST F/IN-GROUND INSTALLATION	DPC: NIGHTDIM + CLO	52	5747407592	2,052
1100mm	LED 3000K 12W	622	Corten Colour	II	POST W/ANCHORAGE UNIT	BOLLARD POST	DPC: NIGHTDIM + CLO	52	5747407686	2,052
1100mm	LED 4000K 12W	690	Aluminium Colour Texture	I		POST F/IN-GROUND INSTALLATION	DAC: DALI + CLO	58	5747407181	2,052
1100mm	LED 4000K 12W	690	Aluminium Colour Texture	I	POST W/ANCHORAGE UNIT	BOLLARD POST	DAC: DALI + CLO	58	5747407217	2,052
1100mm	LED 4000K 12W	690	Aluminium Colour Texture	I		POST W/BASE PLATE	DAC: DALI + CLO	58	5747407220	2,052

Dimensions	Light source	Lumen	Finish	Class	Mounting	Pole/Post	Lighting control	Efficacy	Order-no.	RRP €
1100mm	LED 4000K 12W	690	Aluminium Colour Texture	I		POST W/BASE PLATE	DPC: NIGHTDIM + CLO	58	5747407505	2,052
1100mm	LED 4000K 12W	690	Aluminium Colour Texture	I		POST F/IN-GROUND INSTALLATION	DPC: NIGHTDIM + CLO	58	5747407518	2,052
1100mm	LED 4000K 12W	690	Aluminium Colour Texture	I	POST W/ANCHORAGE UNIT	BOLLARD POST	DPC: NIGHTDIM + CLO	58	5747407712	2,052
1100mm	LED 4000K 12W	690	Aluminium Colour Texture	II		POST F/IN-GROUND INSTALLATION	DAC: DALI + CLO	58	5747407194	2,052
1100mm	LED 4000K 12W	690	Aluminium Colour Texture	II		POST W/BASE PLATE	DAC: DALI + CLO	58	5747407204	2,052
1100mm	LED 4000K 12W	690	Aluminium Colour Texture	II	POST W/ANCHORAGE UNIT	BOLLARD POST	DAC: DALI + CLO	58	5747407233	2,052
1100mm	LED 4000K 12W	690	Aluminium Colour Texture	II		POST W/BASE PLATE	DPC: NIGHTDIM + CLO	58	5747407521	2,052
1100mm	LED 4000K 12W	690	Aluminium Colour Texture	II		POST F/IN-GROUND INSTALLATION	DPC: NIGHTDIM + CLO	58	5747407534	2,052
1100mm	LED 4000K 12W	690	Aluminium Colour Texture	II	POST W/ANCHORAGE UNIT	BOLLARD POST	DPC: NIGHTDIM + CLO	58	5747407709	2,052
1100mm	LED 4000K 12W	640	Corten Colour	I		POST F/IN-GROUND INSTALLATION	DAC: DALI + CLO	53	5747407246	2,052
1100mm	LED 4000K 12W	640	Corten Colour	I	POST W/ANCHORAGE UNIT	BOLLARD POST	DAC: DALI + CLO	53	5747407275	2,052
1100mm	LED 4000K 12W	640	Corten Colour	I		POST W/BASE PLATE	DAC: DALI + CLO	53	5747407288	2,052
1100mm	LED 4000K 12W	640	Corten Colour	I		POST W/BASE PLATE	DAC: DALI + CLO	53	5747407602	2,052
1100mm	LED 4000K 12W	640	Corten Colour	I		POST F/IN-GROUND INSTALLATION	DPC: NIGHTDIM + CLO	53	5747407615	2,052
1100mm	LED 4000K 12W	640	Corten Colour	I	POST W/ANCHORAGE UNIT	BOLLARD POST	DPC: NIGHTDIM + CLO	53	5747407738	2,052
1100mm	LED 4000K 12W	640	Corten Colour	II		POST F/IN-GROUND INSTALLATION	DAC: DALI + CLO	53	5747407259	2,052
1100mm	LED 4000K 12W	640	Corten Colour	II		POST W/BASE PLATE	DAC: DALI + CLO	53	5747407262	2,052
1100mm	LED 4000K 12W	640	Corten Colour	II	POST W/ANCHORAGE UNIT	BOLLARD POST	DAC: DALI + CLO	53	5747407291	2,052
1100mm	LED 4000K 12W	640	Corten Colour	II		POST W/BASE PLATE	DAC: DALI + CLO	53	5747407628	2,052
1100mm	LED 4000K 12W	640	Corten Colour	II		POST F/IN-GROUND INSTALLATION	DPC: NIGHTDIM + CLO	53	5747407631	2,052
1100mm	LED 4000K 12W	640	Corten Colour	II	POST W/ANCHORAGE UNIT	BOLLARD POST	DPC: NIGHTDIM + CLO	53	5747407725	2,052
800mm	LED 3000K 12W	671	Aluminium Colour Texture	I	BASE	BOLLARD POST SHORT	DAC: DALI + CLO	56	5747407301	1,894
800mm	LED 3000K 12W	671	Aluminium Colour Texture	I	POST W/ANCHORAGE UNIT	BOLLARD POST SHORT	DAC: DALI + CLO	56	5747407314	1,894
800mm	LED 3000K 12W	671	Aluminium Colour Texture	I	POST W/ANCHORAGE UNIT	BOLLARD POST SHORT	DPC: NIGHTDIM + CLO	56	5747407767	1,894
800mm	LED 3000K 12W	671	Aluminium Colour Texture	I	BASE	BOLLARD POST SHORT	DPC: NIGHTDIM + CLO	56	5747407770	1,894
800mm	LED 3000K 12W	671	Aluminium Colour Texture	II	BASE	BOLLARD POST SHORT	DAC: DALI + CLO	56	5747407327	1,894
800mm	LED 3000K 12W	671	Aluminium Colour Texture	II	POST W/ANCHORAGE UNIT	BOLLARD POST SHORT	DAC: DALI + CLO	56	5747407330	1,894
800mm	LED 3000K 12W	671	Aluminium Colour Texture	II	BASE	BOLLARD POST SHORT	DPC: NIGHTDIM + CLO	56	5747407741	1,894
800mm	LED 3000K 12W	671	Aluminium Colour Texture	II	POST W/ANCHORAGE UNIT	BOLLARD POST SHORT	DPC: NIGHTDIM + CLO	56	5747407754	1,894
800mm	LED 3000K 12W	622	Corten Colour	I	BASE	BOLLARD POST SHORT	DAC: DALI + CLO	52	5747407343	1,894
800mm	LED 3000K 12W	622	Corten Colour	I	POST W/ANCHORAGE UNIT	BOLLARD POST SHORT	DAC: DALI + CLO	52	5747407356	1,894
800mm	LED 3000K 12W	622	Corten Colour	I	POST W/ANCHORAGE UNIT	BOLLARD POST SHORT	DPC: NIGHTDIM + CLO	52	5747407806	1,894
800mm	LED 3000K 12W	622	Corten Colour	I	BASE	BOLLARD POST SHORT	DPC: NIGHTDIM + CLO	52	5747407819	1,894
800mm	LED 3000K 12W	622	Corten Colour	II	BASE	BOLLARD POST SHORT	DAC: DALI + CLO	52	5747407369	1,894
800mm	LED 3000K 12W	622	Corten Colour	II	POST W/ANCHORAGE UNIT	BOLLARD POST SHORT	DAC: DALI + CLO	52	5747407372	1,894
800mm	LED 3000K 12W	622	Corten Colour	II	BASE	BOLLARD POST SHORT	DPC: NIGHTDIM + CLO	52	5747407783	1,894
800mm	LED 3000K 12W	622	Corten Colour	II	POST W/ANCHORAGE UNIT	BOLLARD POST SHORT	DPC: NIGHTDIM + CLO	52	5747407796	1,894
800mm	LED 4000K 12W	690	Aluminium Colour Texture	I	BASE	BOLLARD POST SHORT	DAC: DALI + CLO	58	5747407385	1,894
800mm	LED 4000K 12W	690	Aluminium Colour Texture	I	POST W/ANCHORAGE UNIT	BOLLARD POST SHORT	DAC: DALI + CLO	58	5747407398	1,894
800mm	LED 4000K 12W	690	Aluminium Colour Texture	I	POST W/ANCHORAGE UNIT	BOLLARD POST SHORT	DPC: NIGHTDIM + CLO	58	5747407848	1,894
800mm	LED 4000K 12W	690	Aluminium Colour Texture	I	BASE	BOLLARD POST SHORT	DPC: NIGHTDIM + CLO	58	5747407851	1,894
800mm	LED 4000K 12W	690	Aluminium Colour Texture	II	BASE	BOLLARD POST SHORT	DAC: DALI + CLO	58	5747407408	1,894
800mm	LED 4000K 12W	690	Aluminium Colour Texture	II	POST W/ANCHORAGE UNIT	BOLLARD POST SHORT	DAC: DALI + CLO	58	5747407411	1,894
800mm	LED 4000K 12W	690	Aluminium Colour Texture	II	BASE	BOLLARD POST SHORT	DPC: NIGHTDIM + CLO	58	5747407822	1,894
800mm	LED 4000K 12W	690	Aluminium Colour Texture	II	POST W/ANCHORAGE UNIT	BOLLARD POST SHORT	DPC: NIGHTDIM + CLO	58	5747407835	1,894
800mm	LED 4000K 12W	640	Corten Colour	I	BASE	BOLLARD POST SHORT	DAC: DALI + CLO	53	5747407424	1,894
800mm	LED 4000K 12W	640	Corten Colour	I	POST W/ANCHORAGE UNIT	BOLLARD POST SHORT	DAC: DALI + CLO	53	5747407437	1,894
800mm	LED 4000K 12W	640	Corten Colour	I	POST W/ANCHORAGE UNIT	BOLLARD POST SHORT	DPC: NIGHTDIM + CLO	53	5747407880	1,894
800mm	LED 4000K 12W	640	Corten Colour	I	BASE	BOLLARD POST SHORT	DPC: NIGHTDIM + CLO	53	5747407893	1,894
800mm	LED 4000K 12W	640	Corten Colour	II	BASE	BOLLARD POST SHORT	DAC: DALI + CLO	53	5747407440	1,894
800mm	LED 4000K 12W	640	Corten Colour	II	POST W/ANCHORAGE UNIT	BOLLARD POST SHORT	DAC: DALI + CLO	53	5747407453	1,894
800mm	LED 4000K 12W	640	Corten Colour	II	BASE	BOLLARD POST SHORT	DPC: NIGHTDIM + CLO	53	5747407864	1,894
800mm	LED 4000K 12W	640	Corten Colour	II	POST W/ANCHORAGE UNIT	BOLLARD POST SHORT	DPC: NIGHTDIM + CLO	53	5747407877	1,894

Please contact Louis Poulsen for 2700K.

# Flindt Garden Bollard

## Bollard

Design: Christian Flindt

**Concept:** The fixture emits a wide downward directed glare-free light. The light source rests at the top inside the asymmetric carving on the side of the bollard, where the gradient serves as a reflector that softens the light and forms a pleasant organic shape on the ground below.

**Finish:** Aluminium coloured or corten coloured. Textured surface, powder coated.

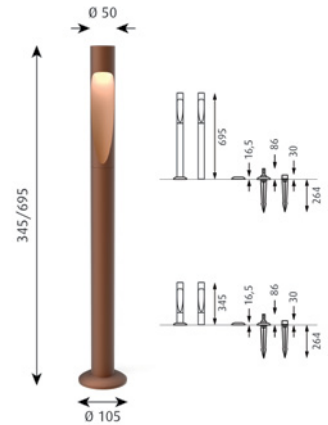
**Material:** Top: Cast aluminium. Reflector part: Cast aluminium. Post: Extruded aluminium. Base plate: Cast aluminium.

**Mounting:** The bollard is connected to adapter using standard plugs delivered with the fixture. The adapter is positioned externally from the bollard and can run up to six bollards.

Maximum distance to last bollard is 30m.

Length of enclosed cables: 5m.

Post dia. Ø50mm.



**Mounting with spike unit: (Plug and Play).** Put the spike into the ground. Let the enclosed cables run over the ground. The bollard is connected to adapter using standard plugs delivered with the fixture.

**Mounting with anchor unit: (Certified electrician).** Fixed in concrete. Use installation tubes for inground installation, with enclosed cables running inside, for legal fixed installation. Requires installation by certified electrician.

**Mounting with baseplate: (Certified electrician).** For surface mounting. Use installation tube for inground installation, with enclosed cables running inside, for legal fixed installation. Requires installation by certified electrician.

**Weight:** Max 5,0 kg

**Class:** Ingress protection w/spike: IP 65.

Ingress protection w/anchor: IP 65 (Head), IP44 (Anchor).

Ingress protection w/base plate: IP 65 (Head), IP44 (Baseplate).

Electric shock protection III. IK06

**Info notes:** The adapter is positioned externally from the fixture and can run up to six bollards. Maximum distance to last bollard is 30m. Length of enclosed cables: 5m. Spike: Uses standard cables and connectors which are supplied. Plug and play.

Anchor/Base: Use installation cable for legal fixed installation. Adapter required installation by certified electrician.

Dimensions	Light source	Lumen	Finish	Class	Mounting	Efficacy	Order-no.	RRP €
LONG	LED 2700K 6.5W	252	Aluminium Colour Texture	III	BASE AND W/ADAPTOR	39	5747402759	576
LONG	LED 2700K 6.5W	252	Aluminium Colour Texture	III	ANCHOR AND W/ADAPTOR	39	5747402788	613
LONG	LED 2700K 6.5W	252	Aluminium Colour Texture	III	SPIKE AND W/ADAPTOR	39	5747402814	576
LONG	LED 2700K 6.5W	252	Aluminium Colour Texture	III	BASE AND WO/ADAPTOR	39	5747402937	382
LONG	LED 2700K 6.5W	252	Aluminium Colour Texture	III	ANCHOR AND WO/ADAPTOR	39	5747402966	418
LONG	LED 2700K 6.5W	215	Corten Colour	III	ANCHOR AND W/ADAPTOR	33	5747402429	613
LONG	LED 2700K 6.5W	215	Corten Colour	III	SPIKE AND W/ADAPTOR	33	5747402458	576
LONG	LED 2700K 6.5W	215	Corten Colour	III	BASE AND WO/ADAPTOR	33	5747402571	382
LONG	LED 2700K 6.5W	215	Corten Colour	III	ANCHOR AND WO/ADAPTOR	33	5747402607	418
LONG	LED 2700K 6.5W	215	Corten Colour	III	BASE AND W/ADAPTOR	33	5747402393	576
LONG	LED 3000K 6.5W	252	Aluminium Colour Texture	III	BASE AND W/ADAPTOR	39	5747402746	576
LONG	LED 3000K 6.5W	252	Aluminium Colour Texture	III	ANCHOR AND W/ADAPTOR	39	5747402775	613
LONG	LED 3000K 6.5W	252	Aluminium Colour Texture	III	SPIKE AND W/ADAPTOR	39	5747402801	576
LONG	LED 3000K 6.5W	252	Aluminium Colour Texture	III	BASE AND WO/ADAPTOR	39	5747402924	382
LONG	LED 3000K 6.5W	252	Aluminium Colour Texture	III	ANCHOR AND WO/ADAPTOR	39	5747402953	418
LONG	LED 3000K 6.5W	215	Corten Colour	III	BASE AND W/ADAPTOR	33	5747402380	576
LONG	LED 3000K 6.5W	215	Corten Colour	III	ANCHOR AND W/ADAPTOR	33	5747402416	613
LONG	LED 3000K 6.5W	215	Corten Colour	III	SPIKE AND W/ADAPTOR	33	5747402445	576
LONG	LED 3000K 6.5W	215	Corten Colour	III	BASE AND WO/ADAPTOR	33	5747402568	382
LONG	LED 3000K 6.5W	215	Corten Colour	III	ANCHOR AND WO/ADAPTOR	33	5747402597	418

Dimensions	Light source	Lumen	Finish	Class	Mounting	Efficacy	Order-no.	RRP €
LONG	LED 4000K 6.5W	291	Aluminium Colour Texture	III	BASE AND W/ADAPTOR	45	5747402733	576
LONG	LED 4000K 6.5W	291	Aluminium Colour Texture	III	ANCHOR AND W/ADAPTOR	45	5747402762	613
LONG	LED 4000K 6.5W	291	Aluminium Colour Texture	III	SPIKE AND W/ADAPTOR	45	5747402791	576
LONG	LED 4000K 6.5W	291	Aluminium Colour Texture	III	BASE AND WO/ADAPTOR	45	5747402911	382
LONG	LED 4000K 6.5W	291	Aluminium Colour Texture	III	ANCHOR AND WO/ADAPTOR	45	5747402940	418
LONG	LED 4000K 6.5W	248	Corten Colour	III	BASE AND W/ADAPTOR	38	5747402377	576
LONG	LED 4000K 6.5W	248	Corten Colour	III	ANCHOR AND W/ADAPTOR	38	5747402403	613
LONG	LED 4000K 6.5W	248	Corten Colour	III	SPIKE AND W/ADAPTOR	38	5747402432	576
LONG	LED 4000K 6.5W	248	Corten Colour	III	BASE AND WO/ADAPTOR	38	5747402555	382
LONG	LED 4000K 6.5W	248	Corten Colour	III	ANCHOR AND WO/ADAPTOR	38	5747402584	418
SHORT	LED 2700K 6.5W	252	Aluminium Colour Texture	III	BASE AND W/ADAPTOR	39	5747402665	540
SHORT	LED 2700K 6.5W	252	Aluminium Colour Texture	III	ANCHOR AND W/ADAPTOR	39	5747402694	576
SHORT	LED 2700K 6.5W	252	Aluminium Colour Texture	III	SPIKE AND W/ADAPTOR	39	5747402720	540
SHORT	LED 2700K 6.5W	252	Aluminium Colour Texture	III	BASE AND WO/ADAPTOR	39	5747402843	345
SHORT	LED 2700K 6.5W	252	Aluminium Colour Texture	III	ANCHOR AND WO/ADAPTOR	39	5747402872	382
SHORT	LED 2700K 6.5W	215	Corten Colour	III	BASE AND W/ADAPTOR	33	5747402306	540
SHORT	LED 2700K 6.5W	215	Corten Colour	III	ANCHOR AND W/ADAPTOR	33	5747402335	576
SHORT	LED 2700K 6.5W	215	Corten Colour	III	SPIKE AND W/ADAPTOR	33	5747402364	540
SHORT	LED 2700K 6.5W	215	Corten Colour	III	BASE AND WO/ADAPTOR	33	5747402487	345
SHORT	LED 2700K 6.5W	215	Corten Colour	III	ANCHOR AND WO/ADAPTOR	33	5747402513	382
SHORT	LED 3000K 6.5W	252	Aluminium Colour Texture	III	BASE AND W/ADAPTOR	39	5747402652	540
SHORT	LED 3000K 6.5W	252	Aluminium Colour Texture	III	ANCHOR AND W/ADAPTOR	39	5747402681	576
SHORT	LED 3000K 6.5W	252	Aluminium Colour Texture	III	SPIKE AND W/ADAPTOR	39	5747402717	540
SHORT	LED 3000K 6.5W	252	Aluminium Colour Texture	III	BASE AND WO/ADAPTOR	39	5747402830	345
SHORT	LED 3000K 6.5W	252	Aluminium Colour Texture	III	ANCHOR AND WO/ADAPTOR	39	5747402869	382
SHORT	LED 3000K 6.5W	215	Corten Colour	III	BASE AND W/ADAPTOR	33	5747402296	540
SHORT	LED 3000K 6.5W	215	Corten Colour	III	ANCHOR AND W/ADAPTOR	33	5747402322	576
SHORT	LED 3000K 6.5W	215	Corten Colour	III	SPIKE AND W/ADAPTOR	33	5747402351	540
SHORT	LED 3000K 6.5W	215	Corten Colour	III	BASE AND WO/ADAPTOR	33	5747402474	345
SHORT	LED 3000K 6.5W	215	Corten Colour	III	ANCHOR AND WO/ADAPTOR	33	5747402500	382
SHORT	LED 4000K 6.5W	291	Aluminium Colour Texture	III	BASE AND W/ADAPTOR	45	5747402649	540
SHORT	LED 4000K 6.5W	291	Aluminium Colour Texture	III	ANCHOR AND W/ADAPTOR	45	5747402678	576
SHORT	LED 4000K 6.5W	291	Aluminium Colour Texture	III	SPIKE AND W/ADAPTOR	45	5747402704	540
SHORT	LED 4000K 6.5W	291	Aluminium Colour Texture	III	BASE AND WO/ADAPTOR	45	5747402827	345
SHORT	LED 4000K 6.5W	291	Aluminium Colour Texture	III	ANCHOR AND WO/ADAPTOR	45	5747402856	382
SHORT	LED 4000K 6.5W	248	Corten Colour	III	BASE AND W/ADAPTOR	38	5747402283	540
SHORT	LED 4000K 6.5W	248	Corten Colour	III	ANCHOR AND W/ADAPTOR	38	5747402319	576
SHORT	LED 4000K 6.5W	248	Corten Colour	III	SPIKE AND W/ADAPTOR	38	5747402348	540
SHORT	LED 4000K 6.5W	248	Corten Colour	III	BASE AND WO/ADAPTOR	38	5747402461	345
SHORT	LED 4000K 6.5W	248	Corten Colour	III	ANCHOR AND WO/ADAPTOR	38	5747402490	382
<b>Sparepart</b>								
Flindt Garden replacement kit corten cob/pcb 4K							5747405332	108
Flindt Garden replacement kit corten cob/pcb 3K							5747405345	108
Flindt Garden replacement kit corten cob/pcb 27K							5747405358	108
Flindt Garden replacement kit aluocol cob/pcb 4K							5747405361	108
Flindt Garden replacement kit aluocol cob/pcb 3K							5747405374	108
Flindt Garden replacement kit aluocol cob/pcb 27K							5747405387	108

# Kipp Bollard

## Bollard

Design: Alfred Homann

**Concept:** The fixture emits symmetrical light directed downward. The relation between the slightly curved top shade and the angle of the inner opal diffuser ensures a wide non glare light distribution.

**Finish:** Aluminium coloured with textured surface or graphite grey, powder coated.

**Material:** Diffuser: Injection moulded white opal acrylic. Top shade: Die cast aluminium. Enclosure: Injection moulded clear polycarbonate. Frame: Die cast aluminium. Post: Extruded aluminium.

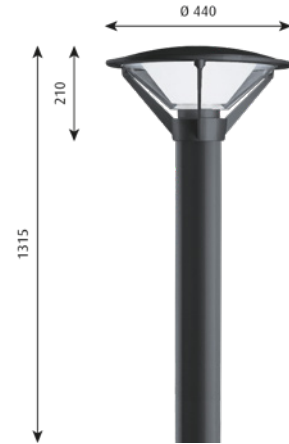
**Mounting:** Access door: Yes. Terminal block positioning: In post. Looping: Approved, max 5x6mm<sup>2</sup>. Driver: In pole top. Max. installation cable: Electric shock protection I: 1 or 2 pcs. 5x6mm<sup>2</sup> or Electric shock protection II: 1 or 2 pcs. 4x6mm<sup>2</sup>. Bollard for in-ground installation: Height excluding fixture head: 1705mm, including 600mm below ground. Bollard with base plate for surface mounting: Height excluding fixture head: 1105mm. Post diameter: 115mm.

**Weight:** Max. 20kg.

**Class:** Ingress protection IP55. Electric shock protection I w. ground, II w/o ground. IK10

**Info notes:** The fixture is IP55. The bollard post is IP44. Post for base plate installation is supplied without anchor bolts. Anchor bolts to be sourced locally. The innovation of the LED technology is constant. The specifications mentioned are based on present technology.

Please contact Louis Poulsen for 2700K.



Light source	Lumen	Finish	Class	Pole/Post	Efficacy	Order-no.	RRP €
LED 3000K 28W	1454	Aluminium Colour Texture	I	POST F/IN-GROUND INSTALLATION	52	5747813403	2,931
LED 3000K 28W	1454	Aluminium Colour Texture	I	POST W/BASE PLATE	52	5747813393	2,931
LED 3000K 28W	1454	Aluminium Colour Texture	II	POST W/BASE PLATE	52	5747813432	2,999
LED 3000K 28W	1454	Aluminium Colour Texture	II	POST F/IN-GROUND INSTALLATION	52	5747813445	2,999
LED 3000K 28W	1454	Graphite Grey	I	POST W/BASE PLATE	52	5747813416	2,931
LED 3000K 28W	1454	Graphite Grey	I	POST F/IN-GROUND INSTALLATION	52	5747813429	2,931
LED 3000K 28W	1454	Graphite Grey	II	POST W/BASE PLATE	52	5747813458	2,999
LED 3000K 28W	1454	Graphite Grey	II	POST F/IN-GROUND INSTALLATION	52	5747813461	2,999
LED 4000K 28W	1523	Aluminium Colour Texture	I	POST W/BASE PLATE	54	5747813319	2,931
LED 4000K 28W	1523	Aluminium Colour Texture	I	POST F/IN-GROUND INSTALLATION	54	5747813322	2,931
LED 4000K 28W	1523	Aluminium Colour Texture	II	POST W/BASE PLATE	54	5747813351	2,999
LED 4000K 28W	1523	Aluminium Colour Texture	II	POST F/IN-GROUND INSTALLATION	54	5747813364	2,999
LED 4000K 28W	1523	Graphite Grey	I	POST W/BASE PLATE	54	5747813335	2,931
LED 4000K 28W	1523	Graphite Grey	I	POST F/IN-GROUND INSTALLATION	54	5747813348	2,931
LED 4000K 28W	1523	Graphite Grey	II	POST W/BASE PLATE	54	5747813377	2,999
LED 4000K 28W	1523	Graphite Grey	II	POST F/IN-GROUND INSTALLATION	54	5747813380	2,999
<b>Sparepart</b>							
Kipp Ø440 diffuser clear polycarbonate						5747815906	250
Kipp Bollard post insert w/fuse box CL I						5747814347	272
Kipp Bollard post insert w/fuse box CL II						5747814350	340
Kipp Ø440 diffuser inner opal conical						5747815870	97

Please contact Louis Poulsen for 2700K.



# PH 3-2½ Bollard

## Bollard

**Design:** Poul Henningsen

**Concept:** The fixture is designed based on the principle of a reflective three-shade system, which directs the light downwards. The shades have a matt white painted interior surface, diffusing the light in a comfortable way.

**Finish:** Black, powder coated.

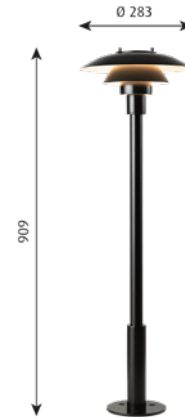
**Material:** Top shade: Spun stainless steel. Middle/lower shade: Spun stainless steel. Shadeholder: Form pressed glass. Post: Stainless steel.

**Mounting:** Terminal block: 1x5x2.5mm<sup>2</sup>. Terminal block positioning: In post.  
Cable entries: 2x bottom entries Ø 17mm. Looping: Approved, max. 5x2,5mm<sup>2</sup>.  
Post w/base plate for surface mounting: H: 909mm incl. fixture head. Post dia. 32mm.

**Weight:** Max. 7kg.

**Class:** Ingress protection IP44. Electric shock protection I.

**Info notes:** Earth anchor to be ordered separately. Anchor bolts to be sourced locally.



Light source	Finish	Class	Pole/Post	Order-no.	RRP €
1x60W E27	Black	I	POST W/BASE PLATE	5747293447	1,460
<b>Sparepart</b>					
PH 3-2½ Bollard/Wal glass				5747293418	207
PH 3-2½ Bollard/Wal top screws 3 pcs black				5747293405	39
<b>Accessories</b>					
PH3-2½ BOL./TOLDBOD BOL.EARTH ANCHOR NEW				5747293696	141

# Skot Bollard

## Bollard

Design: LK as

**Concept:** With an opal screen the fixture emits soft comfortable and symmetric light. With a clear, half shaded screen the fixture emits non-glare symmetric light directed downwards. The half shade helps to channel the light.

**Finish:** Aluminium coloured or graphite with textured surface, powder coated.

**Material:** Injection moulded clear polycarbonate or injection moulded opal polycarbonate. Base/cross guard: Die cast aluminium. U-post: Extruded aluminium.

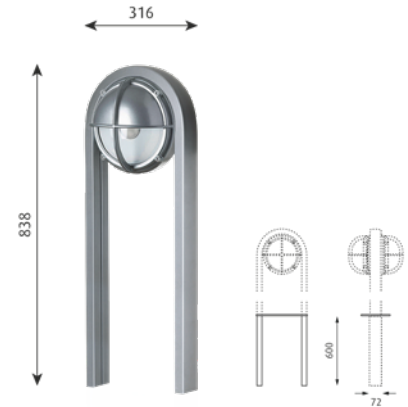
**Mounting:** Terminal block positioning: In fixture head. Looping: Approved, max 4x2,5mm<sup>2</sup>. Ballast positioning: In fixture head. Max. installation cable: 1 pcs. 4x2,5mm<sup>2</sup> or 2 pcs. 4x1,5mm<sup>2</sup>. U-shaped post for in-ground installation: Height including fixture: 1438mm, including 600mm below ground. U-shaped post with base plate for surface mounting: Height including fixture: 838mm. With one fixture installed the depth is: 220mm, with 2 fixtures (dual installation): 331mm.

**Weight:** Max. 11kg.

**Class:** Ingress protection IP66. Electric shock protection II w/o ground. IK10.

**Info notes:** The post is delivered in the same colour as the fixture head. Post supplied without anchor bolts. Anchor bolts to be sourced locally. Double bollard: Fixture head, U-post and mounting plate are to be ordered separately. Single bollard: Fixture head, U-post and cover plate are to be ordered separately. The innovation of the LED technology is constant. The specifications mentioned are based on present technology.

Please contact Louis Poulsen for 2700K and LED Replacement Kit.



Light source	Lumen	Finish	Class	Shield/Diffuser	Efficacy	Order-no.	RRP €
LED 3000K 6.5W	660	Aluminium Colour	II	CLEAR	101	5743150209	973
LED 3000K 6.5W	505	Aluminium Colour	II	HALF SHADED CLEAR	78	5743150225	973
LED 3000K 6.5W	381	Aluminium Colour	II	HALF SHADED OPAL	59	5743150267	973
LED 3000K 6.5W	522	Aluminium Colour	II	OPAL	80	5743150241	973
LED 3000K 6.5W	660	Graphite Grey Texture	II	CLEAR	101	5743150212	973
LED 3000K 6.5W	505	Graphite Grey Texture	II	HALF SHADED CLEAR	78	5743150238	973
LED 3000K 6.5W	381	Graphite Grey Texture	II	HALF SHADED OPAL	59	5743150270	973
LED 3000K 6.5W	522	Graphite Grey Texture	II	OPAL	80	5743150254	973
LED 4000K 6.5W	671	Aluminium Colour	II	CLEAR	103	5743150283	973
LED 4000K 6.5W	514	Aluminium Colour	II	HALF SHADED CLEAR	79	5743150306	973
LED 4000K 6.5W	388	Aluminium Colour	II	HALF SHADED OPAL	60	5743150348	973
LED 4000K 6.5W	530	Aluminium Colour	II	OPAL	81	5743150322	973
LED 4000K 6.5W	671	Graphite Grey Texture	II	CLEAR	103	5743150296	973
LED 4000K 6.5W	514	Graphite Grey Texture	II	HALF SHADED CLEAR	79	5743150319	973
LED 4000K 6.5W	388	Graphite Grey Texture	II	HALF SHADED OPAL	60	5743150351	973
LED 4000K 6.5W	530	Graphite Grey Texture	II	OPAL	81	5743150335	973

Pole		Order-no.	RRP €
SKOT, U-POST W/EARTHANCHOR, ALU		5743146161	863
SKOT, U-POST W/EARTHANCHOR, GRAPH.		5743146174	863
SKOT, U-POST WITH BASE PLATE, ALU		5743146145	904
SKOT, U-POST WITH BASE PLATE, GRAPH.		5743146158	904

Cover plate		Order-no.	RRP €
SKOT, LAMP BASE COVER, CASTED, ALU		5743146200	145
SKOT, LAMP BASE COVER, CASTED, GRAPH		5743146213	145
SKOT, LAMP BASE COVER, PUNCHED, ALU		5743146226	92
SKOT, LAMP BASE COVER, PUNCHED, GRAPH		5743146239	92

Mounting plate		Order-no.	RRP €
SKOT, MOUNTING PLATE FOR 2 SKOTS, ALU		5743146242	106
SKOT, MOUNTING PLATE FOR 2 SKOTS, GRAPH		5743146255	106

**Sparepart**

Skot ring w/half diffuser ALU	5743146284	150
Skot ring w/half diffuser GRAPH	5743146297	150
Skot unbrako screw M6	5743146572	19
Skot alu. net	5743146556	190
Skot graphite net	5743146569	190
Skot ½ diffuser clear ALU	5743163115	202
Skot gasket for diffuser	5743146271	30
Skot replacement kit LED 3K f/diffuser V2	5743150364	371
Skot replacement kit LED 4K f/diffuser V2	5743150380	371
Skot replacement kit LED 3K f/half diffuser V2	5743150377	414
Skot replacement kit LED 4K f/half diffuser V2	5743150393	414
Skot diffuser clear	5743146187	59
Skot diffuser opal	5743146190	59

**Accessories**

SKOT, STABILIZINGPL.F. U-POST	5743146268	66
-------------------------------	------------	----

Please contact Louis Poulsen for 2700K and LED Replacement Kit.

# Toldbod 155 Bollard

## Bollard

**Design:** Louis Poulsen A/S

**Concept:** The light is directed 100% downwards and the shade has a matt white painted interior emitting a soft, diffused, comfortable light.

**Finish:** Aluminium coloured with textured surface or black with textured surface, powder coated.

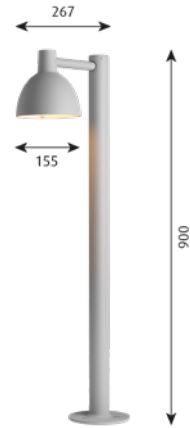
**Material:** Fixture head: Chilled casting aluminium. Shield: Laser cut acrylic satine. Arm: Chilled casting aluminium. Post: Extruded aluminium.

**Mounting:** Terminal block: 1x5x2.5mm<sup>2</sup>. Cable entries: 2x bottom entries to Ø 17mm. Looping: Approved, max. 5x2,5mm<sup>2</sup>.

**Weight:** Max. 2kg.

**Class:** Ingress protection IP44. Electric shock protection I. IK05.

**Info notes:** Earth anchor to be ordered separately. Anchor bolts to be sourced locally.



Light source	Finish	Class	Pole/Post	Order-no.	RRP €
E14	Aluminium Colour Texture	I	POST W/BASE PLATE	5747293285	973
E14	Black Texture	I	POST W/BASE PLATE	5747293272	973
<b>Sparepart</b>					
Toldbod Wall/Bollard 155 shield				5743145528	40
<b>Accessories</b>					
PH3-2½ BOL./TOLDBOD BOL.EARTH ANCHOR NEW				5747293696	141

# Waterfront

## Bollard

**Design:** Dan Borgen Hasløv

**Concept:** The fixture emits 100% glare-free downward light. The light distribution is symmetric and soft. The four supports create an comfortable symmetric light pattern at ground level.

**Finish:** Aluminium coloured with textured surface or graphite with textured surface, powder coated.

**Material:** Enclosure: Injection moulded clear polycarbonate. Housing: Die cast aluminium. Top: Die cast aluminium. Post: Extruded aluminium. Base plate: Die cast aluminium.

**Mounting:** In-ground struts: Yes. Terminal block positioning: In fixture head. Looping: Approved, max 5x2,5mm<sup>2</sup>. Driver positioning: In fixture head. Max. installation cable: 1 or 2x5x2,5mm<sup>2</sup> or depending on installation box. Post f/ in-ground installation: Height excluding fixture head: 1195mm, including 600mm below ground. Bollard with base plate for surface mounting: Height excluding fixture head: 595mm. Post diameter 210mm.

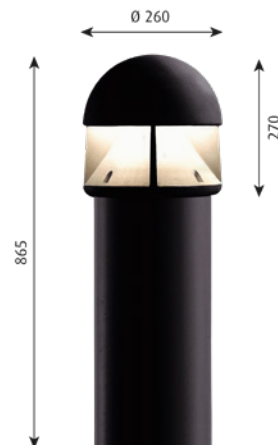
**Weight:** Max. 19.3kg.

**Class:** Ingress protection IP65. Electric shock protection I w. ground, II w/o ground. IK10.

**Info notes:** The intermediate ring solution is used when the fixture is to be mounted without post directly on a flat surface. The post and intermediate ring are delivered in the same colour as the fixture head. Detailed information about installation and looping possibilities can be found on our Internet page. The fixture is IP65. The bollard pole door is IP44. Post for base plate installation is supplied without anchor bolts. Anchor bolts to be sourced locally.

The innovation of the LED technology is constant. The specifications mentioned are based on present technology.

Please contact Louis Poulsen for 2700K.



Light source	Lumen	Finish	Class	Mounting	Pole/Post	Efficacy	Order-no.	RRP €
LED 3000K 28W	670	Aluminium Colour Texture	I	W/ACCESS DOOR	POST W/BASE PLATE	24	5747701049	3,227
LED 3000K 28W	670	Aluminium Colour Texture	I	W/ACCESS DOOR	POST F/IN-GROUND INSTALLATION	24	5747701065	3,397
LED 3000K 28W	670	Aluminium Colour Texture	II	W/ACCESS DOOR	POST W/BASE PLATE	24	5747701007	3,227
LED 3000K 28W	670	Aluminium Colour Texture	II	W/ACCESS DOOR	POST F/IN-GROUND INSTALLATION	24	5747701023	3,397
LED 3000K 28W	570	Graphite Grey Texture	I	W/ACCESS DOOR	POST F/IN-GROUND INSTALLATION	20	5747701078	3,397
LED 3000K 28W	570	Graphite Grey Texture	I	W/ACCESS DOOR	POST W/BASE PLATE	20	5747701052	3,227
LED 3000K 28W	570	Graphite Grey Texture	II	W/ACCESS DOOR	POST W/BASE PLATE	20	5747701010	3,227
LED 3000K 28W	570	Graphite Grey Texture	II	W/ACCESS DOOR	POST F/IN-GROUND INSTALLATION	20	5747701036	3,397
LED 4000K 28W	702	Aluminium Colour Texture	I	W/ACCESS DOOR	POST W/BASE PLATE	25	5747504851	3,227
LED 4000K 28W	702	Aluminium Colour Texture	I	W/ACCESS DOOR	POST F/IN-GROUND INSTALLATION	25	5747504877	3,397
LED 4000K 28W	702	Aluminium Colour Texture	II	W/ACCESS DOOR	POST W/BASE PLATE	25	5747504819	3,227
LED 4000K 28W	702	Aluminium Colour Texture	II	W/ACCESS DOOR	POST F/IN-GROUND INSTALLATION	25	5747504835	3,397
LED 4000K 28W	597	Graphite Grey Texture	I	W/ACCESS DOOR	POST W/BASE PLATE	21	5747504864	3,227
LED 4000K 28W	597	Graphite Grey Texture	I	W/ACCESS DOOR	POST F/IN-GROUND INSTALLATION	21	5747504880	3,397
LED 4000K 28W	597	Graphite Grey Texture	II	W/ACCESS DOOR	POST W/BASE PLATE	21	5747504822	3,227
LED 4000K 28W	597	Graphite Grey Texture	II	W/ACCESS DOOR	POST F/IN-GROUND INSTALLATION	21	5747504848	3,397
<b>Sparepart</b>								
Waterfront spare LED module 4K M60							5747504806	931
<b>Accessories</b>								
WATERFRO, INTERMEDIATE RING, COLOUR ALU.							5747291973	260
WATERF, INTERMEDIATE RING, GRAPHITE GREY							5747503661	260
WATERFRONT, AQUA STOPPER Ø 210 T=30MM							5747293324	57

Please contact Louis Poulsen for 2700K.

# Albertslund Maxi Post

## Post

Design: Jens Møller-Jensen

**Concept:** The fixture emits symmetrical glare-free light directed downwards. The top shade helps direct the light downwards and prevent light from being emitted upwards. The white painted reflectors result in diffused and comfortable light distribution. The reflector ring protects against direct glare.

**Finish:** Aluminium coloured with textured surface, graphite with textured surface or grey, powder coated.

**Material:** Top shade: Form pressed glass fiber. Enclosure: Injection moulded clear polycarbonate. Heat sink/fixture housing: Die-cast aluminium. Base: Die cast aluminium. Struts: Stainless steel.

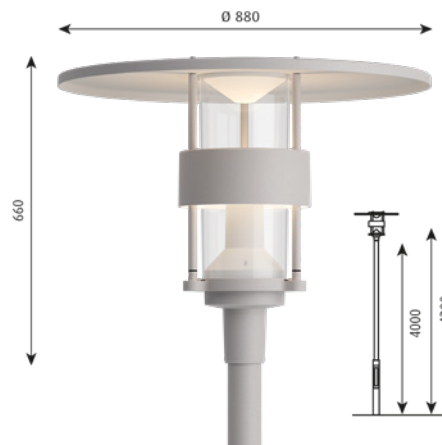
**Mounting:** Pole dimension: Ø 76mm. Transition pieces for Ø 60mm and Ø 115mm pole can be bought as accessory parts. Installation cable: 5m, 5x1mm<sup>2</sup> (Class I) or 5m, 4x1mm<sup>2</sup>. (Class II). LED driver: In the fixture head.

**Weight:** Max. 19

**Class:** Ingress protection IP66. Electric shock protection I w. ground, II w/o ground. IK10.

**Info notes:** LED Upgrade kit available for upgrading Albertslund with CFL light sources produced from 2005 and up to previous LED variants. Dimming options CLO, and night time dimming (default setting: 50% power in 8 hours). All variants available with Zhaga socket for Smart City compatibility. Including CLO and night time dimming options. The driver is integrated in the fixture head.

Please contact Louis Poulsen for 2700K and more info about supported Light Management Systems



Light source	Lumen	Finish	Class	Lighting control	Efficacy	Order-no.	RRP €
LED 3000K 55W	4814	Aluminium Colour Texture	I	DAC: DALI + CLO	88	5747813131	3,291
LED 3000K 55W	4814	Aluminium Colour Texture	II	DPC: NIGHTDIM + CLO	88	5747813144	3,291
LED 3000K 55W	4814	Graphite Grey Texture	I	DAC: DALI + CLO	88	5747813173	3,291
LED 3000K 55W	4814	Graphite Grey Texture	II	DPC: NIGHTDIM + CLO	88	5747813186	3,291
LED 3000K 55W	4814	Grey	I	DAC: DALI + CLO	88	5747813212	3,291
LED 3000K 55W	4814	Grey	I	SR 2XZHAGA CT	88	5747813254	3,686
LED 3000K 55W	4814	Grey	I	SR ZHAGA CT	88	5747825310	3,686
LED 3000K 55W	4814	Grey	II	DPC: NIGHTDIM + CLO	88	5747813225	3,291
LED 3000K/4000K 55W		-**	III	SR 2XZHAGA CT **		-	Contact LP
LED 4000K 55W	4939	Aluminium Colour Texture	I	DAC: DALI + CLO	90	5747813157	3,291
LED 4000K 55W	4939	Aluminium Colour Texture	II	DPC: NIGHTDIM + CLO	90	5747813160	3,291
LED 4000K 55W	4939	Graphite Grey Texture	I	DAC: DALI + CLO	90	5747813199	3,291
LED 4000K 55W	4939	Graphite Grey Texture	II	DPC: NIGHTDIM + CLO	90	5747813209	3,291
LED 4000K 55W	4939	Grey	I	DAC: DALI + CLO	90	5747813238	3,291
LED 4000K 55W	4939	Grey	II	DPC: NIGHTDIM + CLO	90	5747813241	3,291
<b>Sparepart</b>							
Albertslund MAXI diffuser polycarb.						5747291232	356
Albertslund MAXI shade grey, after 1991						5747291258	586
Albertslund MAXI shade alu.colour						5747296334	586
Albertslund MAXI shade graphite grey						5747914700	586
Albertslund MAXI replacement kit LED-DPC 3K CLII V2						5747839131	711
Albertslund MAXI replacement kit LED-DPC 4K CLII V2						5747839160	711
Albertslund MAXI replacement kit LED-DAC 3K CLI V2						5747839199	711
Albertslund MAXI replacement kit LED-DAC 4K CLI V2						5747839225	711
<b>Accessories</b>							
ALB MAXI, TRANSITION PIECE, Ø60/Ø76						5710500028	178

\*\*Please specify upon ordering. All variants available with Zhaga socket for Smart City compatibility. Including CLO and night time dimming options.

Please contact Louis Poulsen for 2700K and more info about supported Light Management Systems

# Albertslund Mini Post

## Post

Design: Jens Møller-Jensen

**Concept:** The fixture emits symmetrical glare-free light directed downwards. The top shade helps direct the light downwards and prevent light from being emitted upwards. The white painted reflectors result in diffused and comfortable light distribution. The reflector ring protects against direct glare.

**Finish:** Aluminium coloured with textured surface, graphite with textured surface or grey, powder coated.

**Material:** Top shade: Form pressed glass fibre. Enclosure: Injection moulded clear polycarbonate. Heat sink/fixture housing: Die-cast aluminium. Console: Die-cast aluminium. Struts: Stainless steel.

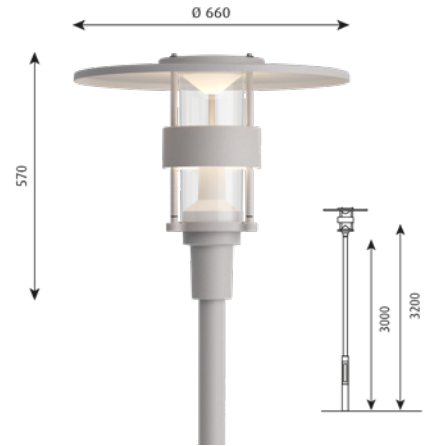
**Mounting:** Pole dimension: Ø 60mm. Transition pieces for Ø 115mm pole can be bought as accessory parts. Installation cable: 4m, 5x1mm<sup>2</sup> (Class I) or 4m, 4x1mm<sup>2</sup> (Class II). Driver: Built into the fixture head.

**Weight:** Max. 7,5

**Class:** Ingress protection IP66. Electric shock protection I w. ground, II w/o ground. IK10.

**Info notes:** LED Upgrade kit available for upgrading Albertslund with CFL light sources produced from 2005 and up to previous LED variants. Dimming options CLO, and night time dimming (default setting: 50% power in 8 hours). All variants available with Zhaga socket for Smart City compatibility. Including CLO and night time dimming options. The driver is integrated in the fixture head.

Please contact Louis Poulsen for 2700K and more info about supported Light Management Systems



Light source	Lumen	Finish	Class	Light technique	Mounting	Lighting control	Efficacy	Order-no.	RRP €
LED 3000K 34W	2915	Aluminium Colour Texture	I	2900 LUMEN	Ø 60 POLE	DAC: DALI + CLO	86	5747838640	2,440
LED 3000K 34W	2915	Aluminium Colour Texture	II	2900 LUMEN	Ø 60 POLE	DPC: NIGHTDIM + CLO	86	5747838705	2,440
LED 3000K 34W	2915	Graphite Grey Texture	I	2900 LUMEN	Ø 60 POLE	DAC: DALI + CLO	86	5747838653	2,440
LED 3000K 34W	2915	Graphite Grey Texture	II	2900 LUMEN	Ø 60 POLE	DPC: NIGHTDIM + CLO	86	5747838718	2,440
LED 3000K 34W	2915	Grey	I	2900 LUMEN	Ø 60 POLE	DAC: DALI + CLO	86	5747838666	2,440
LED 3000K 34W	2915	Grey	I	2900 LUMEN	Ø 60 POLE	SR 2XZHAGA CT	86	5747838763	2,835
LED 3000K 34W	2915	Grey	I	2900 LUMEN	Ø 60 POLE	SR ZHAGA CT	86	5747825336	2,835
LED 3000K 34W	2915	Grey	II	2900 LUMEN	Ø 60 POLE	DPC: NIGHTDIM + CLO	86	5747838721	2,440
LED 3000K/4000K 34W	-**	-**	II	2900 LUMEN	Ø 60 POLE	SR 2XZHAGA CT **	-	-	Contact LP
LED 4000K 34W	2990	Aluminium Colour Texture	I	2900 LUMEN	Ø 60 POLE	DAC: DALI + CLO	88	5747838679	2,440
LED 4000K 34W	2990	Aluminium Colour Texture	II	2900 LUMEN	Ø 60 POLE	DPC: NIGHTDIM + CLO	88	5747838734	2,440
LED 4000K 34W	2990	Graphite Grey Texture	I	2900 LUMEN	Ø 60 POLE	DAC: DALI + CLO	88	5747838682	2,440
LED 4000K 34W	2990	Graphite Grey Texture	II	2900 LUMEN	Ø 60 POLE	DPC: NIGHTDIM + CLO	88	5747838747	2,440
LED 4000K 34W	2915	Grey	I	2900 LUMEN	Ø 60 POLE	SR 2XZHAGA CT	86	5747825378	2,835
LED 4000K 34W	2915	Grey	I	2900 LUMEN	Ø 60 POLE	SR ZHAGA CT	86	5747825352	2,835
LED 4000K 34W	2990	Grey	I	2900 LUMEN	Ø 60 POLE	DAC: DALI + CLO	88	5747838695	2,440
LED 4000K 34W	2990	Grey	II	2900 LUMEN	Ø 60 POLE	DPC: NIGHTDIM + CLO	88	5747838750	2,440

## Sparepart

Albertslund MINI post anti-glare shade grey	5747816646	135
Albertslund MINI socket E27	5749321346	17
Albertslund MINI polycarbon. diff.	5747291096	174
Albertslund MINI polyc. diff. before 1991	5747291083	180
Albertslund MINI inc socket, old vers.	5749320907	36
Albertslund MINI shade grey	5747291106	372
Albertslund MINI shade aluc	5747296318	372
Albertslund MINI shade graph grey	5747914713	372
Albertslund MINI distance tube, before 1991	5747811968	379
Albertslund MINI elass.150W A65 CLI ora.sock	5747291135	418
Albertslund MINI innerstrut	5747816633	46
Albertslund MINI replacement kit LED-DPC 3K CLII V2	5747839623	573

**Sparepart**

Albertslund MINI replacement kit LED-DPC 4K CLI V2	5747839649	573
Albertslund MINI replacement kit LED-DAC 3K CLI V2	5747839678	573
Albertslund MINI replacement kit LED-DAC 4K CLI V2	5747839704	573
Albertslund MINI lock/support strut, before 1991	5747811955	626
Albertslund MINI reflector with Ø18 hole, before 1991	5747811926	66
Albertslund MINI cap nut	5747811036	8

**Accessories**

ALB MIN,TRANS.PIECE POLE Ø115/60GREY	5747297359	163
ALB MIN,TRANS.PIECE POLE Ø115/60 GRAPH	5747297362	163
ALB MIN,TRANS.PIECE POLE Ø115/60 ALUC	5747297375	163

**\*\*Please specify upon ordering. All variants available with Zhaga socket for Smart City compatibility. Including CLO and night time dimming options.**

**Please contact Louis Poulsen for 2700K and more info about supported Light Management Systems**



# Flindt Plaza

## Post

Design: Christian Flindt

**Concept:** The fixture emits a glare-free downward directed light. The light source is hidden at the top, inside the asymmetric carving on the side of the post, where the gradient serves as a reflector that softens the light and forms a pleasant organic shape on the ground below. To optimise the flexibility in the lighting design, the illumination is adjustable with plus/minus 5° vertical and 360° horizontal, allowing for a more varied light distribution. The fixture is based on a modular principle and can in some configurations be built with up to four highly flexible light heads on one pole.

**Finish:** Aluminium coloured or corten coloured. Textured surface, powder coated.

**Material:** Top: Cast aluminium. Head: Cast aluminium. Post: Extruded aluminium. Base plate: Cast aluminium. Diffuser: Polycarbonate.

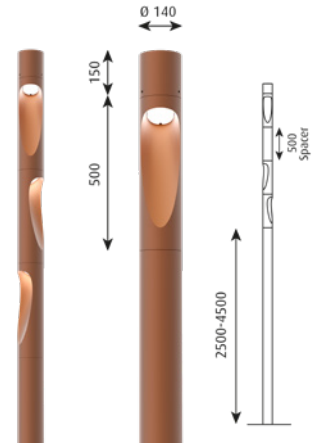
**Mounting:** Driver position: Driver integrated in each head. Posts available for inground installation or with base plate for surface mounting. Post diameter: Ø140mm. Fixture heads connects together with connectors and can be mounted on top of each other and fixed with two screws. Up to five heads on one post depending on total height. Reflector can be tilted +/- 5 degrees from outside the fixture, and heads can be turned 360 degrees. Looping: Heads are connected by smart connectors. Installation cable: 5m 5x1mm<sup>2</sup> (Class I) or 5m 4x1mm<sup>2</sup> (Class II).

**Weight:** Fixture head: Max 9kg.

**Class:** Ingress protection IP66. Electric shock protection I w. ground, II w/o ground. IK10.

**Info notes:** Driver integrated in each head. Surge protection device (SPD) not included. LED replacement kit available. Dimming options: DALI, CLO, and night time dimming (default setting: 50% power in 8 hours). All variants available with Zhaga socket for Smart City compatibility. Including CLO and night time dimming options. Please contact Louis Poulsen for more info about supported Light Management Systems. Honeycombe available as an accessory which can be installed subsequently.

Please note, Flindt Plaza is based on a modular principle. A complete fixture is built up by single item numbers and consists of a pole, a top, an installation cable plus a number of light heads. (Maximum of 5 units on a pole. A unit can also be a spacer).



Dimensions	Light source	Lumen	Finish	Class	Light technique	Pole/Post	Lighting control	Efficacy	Order-no.	RRP €
Cable			Corten Colour	I					5747404362	118
Cable			Corten Colour	I			FOR SR ZHAGA		5747405785	118
Cable			Corten Colour	II					5747404375	118
Cable			Corten Colour	II			FOR SR ZHAGA		5747405798	118
Head	LED 2700K 33W	2667	Aluminium Colour Texture	I	15°		DAC: DALI + CLO	81	5747403907	1,465
Head	LED 2700K 33W	2667	Aluminium Colour Texture	I	15°		ZHAGA SR (Smart City)	81	5747404029	1,465
Head	LED 2700K 33W	1960	Aluminium Colour Texture	I	15° W/HONEYCOMB		DAC: DALI + CLO	59	5747405646	1,483
Head	LED 2700K 33W	2588	Aluminium Colour Texture	I	35°		DAC: DALI + CLO	78	5747403936	1,465
Head	LED 2700K 33W	2588	Aluminium Colour Texture	I	35°		ZHAGA SR (Smart City)	78	5747404058	1,465
Head	LED 2700K 33W	1844	Aluminium Colour Texture	I	35° W/HONEYCOMB		DAC: DALI + CLO	56	5747405659	1,483
Head	LED 2700K 33W	2667	Aluminium Colour Texture	II	15°		DPC: NIGHTDIM + CLO	81	5747404142	1,465
Head	LED 2700K 33W	2588	Aluminium Colour Texture	II	35°		DPC: NIGHTDIM + CLO	78	5747404171	1,465
Head	LED 2700K 33W	2608	Corten Colour	I	15°		ZHAGA SR (Smart City)	79	5747403965	1,465
Head	LED 2700K 33W	2608	Corten Colour	I	15°		DAC: DALI + CLO	79	5747403842	1,465
Head	LED 2700K 33W	1973	Corten Colour	I	15° W/HONEYCOMB		DAC: DALI + CLO	60	5747407000	1,483
Head	LED 2700K 33W	2577	Corten Colour	I	35°		DAC: DALI + CLO	78	5747403871	1,465
Head	LED 2700K 33W	2577	Corten Colour	I	35°		ZHAGA SR (Smart City)	78	5747403994	1,465
Head	LED 2700K 33W	1973	Corten Colour	I	35° W/HONEYCOMB		DAC: DALI + CLO	60	5747407013	1,483
Head	LED 2700K 33W	2608	Corten Colour	II	15°		DPC: NIGHTDIM + CLO	79	5747404087	1,465
Head	LED 2700K 33W	2577	Corten Colour	II	35°		DPC: NIGHTDIM + CLO	78	5747404113	1,465
Head	LED 3000K 33W	2780	Aluminium Colour Texture	I	15°		DAC: DALI + CLO	84	5747403910	1,465
Head	LED 3000K 33W	2780	Aluminium Colour Texture	I	15°		ZHAGA SR (Smart City)	84	5747404032	1,465

	Dimensions	Light source	Lumen	Finish	Class	Light technique	Pole/Post	Lighting control	Efficacy	Order-no.	RRP €
Head		LED 3000K 33W	2044	Aluminium Colour Texture	I	15° W/HONEYCOMB		DAC: DALI + CLO	62	5747404304	1,483
Head		LED 3000K 33W	2698	Aluminium Colour Texture	I	35°		DAC: DALI + CLO	82	5747403949	1,465
Head		LED 3000K 33W	2698	Aluminium Colour Texture	I	35°		ZHAGA SR (Smart City)	82	5747404061	1,465
Head		LED 3000K 33W	1923	Aluminium Colour Texture	I	35° W/HONEYCOMB		DAC: DALI + CLO	58	5747404317	1,483
Head		LED 3000K 33W	2780	Aluminium Colour Texture	II	15°		DPC: NIGHTDIM + CLO	84	5747404155	1,465
Head		LED 3000K 33W	2698	Aluminium Colour Texture	II	35°		DPC: NIGHTDIM + CLO	82	5747404184	1,465
Head		LED 3000K 33W	2719	Corten Colour	I	15°		DAC: DALI + CLO	82	5747403855	1,465
Head		LED 3000K 33W	2719	Corten Colour	I	15°		ZHAGA SR (Smart City)	82	5747403978	1,465
Head		LED 3000K 33W	1973	Corten Colour	I	15° W/HONEYCOMB		DAC: DALI + CLO	60	5747406962	1,483
Head		LED 3000K 33W	2686	Corten Colour	I	35°		DAC: DALI + CLO	81	5747403884	1,465
Head		LED 3000K 33W	2686	Corten Colour	I	35°		ZHAGA SR (Smart City)	81	5747404003	1,465
Head		LED 3000K 33W	1973	Corten Colour	I	35° W/HONEYCOMB		DAC: DALI + CLO	60	5747406975	1,483
Head		LED 3000K 33W	2719	Corten Colour	II	15°		DPC: NIGHTDIM + CLO	82	5747404090	1,465
Head		LED 3000K 33W	2686	Corten Colour	II	35°		DPC: NIGHTDIM + CLO	81	5747404126	1,465
Head		LED 4000K 33W	2854	Aluminium Colour Texture	I	15°		DAC: DALI + CLO	86	5747403923	1,465
Head		LED 4000K 33W	2854	Aluminium Colour Texture	I	15°		ZHAGA SR (Smart City)	86	5747404045	1,465
Head		LED 4000K 33W	2097	Aluminium Colour Texture	I	15° W/HONEYCOMB		DAC: DALI + CLO	64	5747405662	1,483
Head		LED 4000K 33W	2768	Aluminium Colour Texture	I	35°		DAC: DALI + CLO	84	5747403952	1,465
Head		LED 4000K 33W	2768	Aluminium Colour Texture	I	35°		ZHAGA SR (Smart City)	84	5747404074	1,465
Head		LED 4000K 33W	1973	Aluminium Colour Texture	I	35° W/HONEYCOMB		DAC: DALI + CLO	60	5747405675	1,483
Head		LED 4000K 33W	2854	Aluminium Colour Texture	II	15°		DPC: NIGHTDIM + CLO	86	5747404168	1,465
Head		LED 4000K 33W	2768	Aluminium Colour Texture	II	35°		DPC: NIGHTDIM + CLO	84	5747404197	1,465
Head		LED 4000K 33W	2789	Corten Colour	I	15°		DAC: DALI + CLO	85	5747403868	1,465
Head		LED 4000K 33W	2789	Corten Colour	I	15°		ZHAGA SR (Smart City)	85	5747403981	1,465
Head		LED 4000K 33W	1973	Corten Colour	I	15° W/HONEYCOMB		DAC: DALI + CLO	60	5747406988	1,483
Head		LED 4000K 33W	2756	Corten Colour	I	35°		DAC: DALI + CLO	84	5747403897	1,465
Head		LED 4000K 33W	2756	Corten Colour	I	35°		ZHAGA SR (Smart City)	84	5747404016	1,465
Head		LED 4000K 33W	1973	Corten Colour	I	35° W/HONEYCOMB		DAC: DALI + CLO	60	5747406991	1,483
Head		LED 4000K 33W	2789	Corten Colour	II	15°		DPC: NIGHTDIM + CLO	85	5747404100	1,465
Head		LED 4000K 33W	2756	Corten Colour	II	35°		DPC: NIGHTDIM + CLO	84	5747404139	1,465
Pole	2.5M			Aluminium Colour Texture			POST W/BASE PLATE			5747403732	1,856
Pole	2.5M			Aluminium Colour Texture			POLE F/IN-GROUND INSTALL			5747403790	1,856
Pole	2.5M			Corten Colour			POST W/BASE PLATE			5747403729	1,856
Pole	2.5M			Corten Colour			POLE F/IN-GROUND INSTALL			5747403787	1,856
Pole	3.5M			Aluminium Colour Texture			POST W/BASE PLATE			5747403758	2,246
Pole	3.5M			Aluminium Colour Texture			POLE F/IN-GROUND INSTALL			5747403813	2,246
Pole	3.5M			Corten Colour			POST W/BASE PLATE			5747403745	2,246
Pole	3.5M			Corten Colour			POLE F/IN-GROUND INSTALL			5747403800	2,246
Pole	4.5M			Aluminium Colour Texture			POST W/BASE PLATE			5747403774	2,442
Pole	4.5M			Aluminium Colour Texture			POLE F/IN-GROUND INSTALL			5747403839	2,442
Pole	4.5M			Corten Colour			POST W/BASE PLATE			5747403761	2,442
Pole	4.5M			Corten Colour			POLE F/IN-GROUND INSTALL			5747403826	2,442
Spacer				Aluminium Colour Texture	I					5747404236	782
Spacer				Aluminium Colour Texture	II					5747404359	782
Spacer				Corten Colour	I					5747404223	782
Spacer				Corten Colour	II					5747404346	782
Top				Aluminium Colour Texture						5747404210	245
Top				Aluminium Colour Texture				FOR SR ZHAGA		5747404333	245
Top				Corten Colour						5747404207	245
Top				Corten Colour				FOR SR ZHAGA		5747404320	245
<b>Sparepart</b>											
										5747404281	114
										5747405507	114
										5747405510	114
										5747404294	253
										5747405471	253
										5747405484	253
										5747405497	253
										5747404249	35

**Sparepart**

Flindt Plaza reflector 3SD	5747404252	35
Flindt Plaza front glass	5747404278	54

**Accessories**

FLINDT PLAZA HONEYCOMB	5747404265	19
------------------------	------------	----

Please note, the items listed above are single light heads. To compile a complete fixture please order a pole, a top, an installation cable plus the required number of heads. (A maximum of 4 units on a pole. A unit can also be a spacer). Please refer to the Louis Poulsen webpage [www.louispoulsen.com](http://www.louispoulsen.com) to configure a complete fixture.

# Homann Park

## Post

**Design:** Alfred Homann

**Concept:** The fixture provides direct downward illumination and is self-illuminating. The fixture is available in two variants; an uplight and a no uplight version. Light distribution round symmetrical (T5) or asymmetrical (T3). It emphasizes the shape of the luminaire and creates ambience and comfort.

**Finish:** Natural painted aluminum, powder coated.

**Material:** Lower diffuser: Injection molded opal acrylic. Lower glass: Plate of clear polycarbonate. Upper diffuser: Injection molded opal acrylic. Housing: Die cast aluminum. Base: Die cast aluminum.

**Mounting:** Pole dimension: Ø 60 mm. Transition piece available for pole Ø 76 mm and Ø 115 mm. Installation cable: 4m 5x1mm<sup>2</sup> (Class I) or 4m 4x1mm<sup>2</sup> (Class II). Driver and plug for easy maintenance placed inside the post top.

**Weight:** Max. 7kg.

**Class:** Ingress protection IP66. Electric shock protection I w. ground, II w/o ground. IK10.

**Info notes:** LED replacement kit available. Dimming options: DALI, CLO, and night time dimming (default setting: 50% power in 8 hours). All variants available with Zhaga socket for Smart City compatibility. Including CLO and night time dimming options. All versions are also available for a Ø76mm stub on request.

Please contact Louis Poulsen for 2700K and more info about supported Light Management Systems



Light source	Lumen	Finish	Class	Light technique	Shade	Mounting	Lighting control	Efficacy	Order-no.	RRP €
LED 3000K 17W	1751	Aluminium Colour Texture	I	ASYM 2H	No Uplight	Ø 60 POLE	LI DAC: DALI + CLO	103	5747308170	1,517
LED 3000K 17W	1746	Aluminium Colour Texture	I	ASYM 2H	Uplight	SIDE-MOUNTED	LI DAC: DALI + CLO	103	5747406629	1,816
LED 3000K 17W	1746	Aluminium Colour Texture	I	ASYM 2H	Uplight	Ø 60 POLE	LI DAC: DALI + CLO	103	5747308138	1,652
LED 3000K 17W	1742	Aluminium Colour Texture	I	SYMMETRIC 5F	No Uplight	Ø 60 POLE	LI DAC: DALI + CLO	102	5747308196	1,517
LED 3000K 17W	1746	Aluminium Colour Texture	I	SYMMETRIC 5F	Uplight	Ø 60 POLE	LI DAC: DALI + CLO	103	5747308154	1,652
LED 3000K 17W	1746	Aluminium Colour Texture	I	SYMMETRIC 5F	Uplight	SIDE-MOUNTED	LI DAC: DALI + CLO	103	5747406645	1,816
LED 3000K 17W	1751	Aluminium Colour Texture	II	ASYM 2H	No Uplight	Ø 60 POLE	LI DPC: NIGHTDIM + CLO	103	5747308251	1,517
LED 3000K 17W	1746	Aluminium Colour Texture	II	ASYM 2H	Uplight	Ø 60 POLE	LI DPC: NIGHTDIM + CLO	103	5747308219	1,652
LED 3000K 17W	1746	Aluminium Colour Texture	II	ASYM 2H	Uplight	SIDE-MOUNTED	LI DPC: NIGHTDIM + CLO	103	5747406700	1,816
LED 3000K 17W	1742	Aluminium Colour Texture	II	SYMMETRIC 5F	No Uplight	Ø 60 POLE	LI DPC: NIGHTDIM + CLO	102	5747308277	1,517
LED 3000K 17W	1746	Aluminium Colour Texture	II	SYMMETRIC 5F	Uplight	Ø 60 POLE	LI DPC: NIGHTDIM + CLO	103	5747308235	1,652
LED 3000K 17W	1746	Aluminium Colour Texture	II	SYMMETRIC 5F	Uplight	SIDE-MOUNTED	LI DPC: NIGHTDIM + CLO	103	5747406726	1,816
LED 3000K 33W	3153	Aluminium Colour Texture	I	ASYM 2H	No Uplight	Ø 60 POLE	HI DAC: DALI + CLO	96	5747308332	1,517
LED 3000K 33W	3148	Aluminium Colour Texture	I	ASYM 2H	Uplight	Ø 60 POLE	HI DAC: DALI + CLO	95	5747308293	1,652
LED 3000K 33W	3148	Aluminium Colour Texture	I	ASYM 2H	Uplight	SIDE-MOUNTED	HI DAC: DALI + CLO	95	5747406784	1,816
LED 3000K 33W	3143	Aluminium Colour Texture	I	SYMMETRIC 5F	No Uplight	Ø 60 POLE	HI DAC: DALI + CLO	95	5747308358	1,517
LED 3000K 33W	3145	Aluminium Colour Texture	I	SYMMETRIC 5F	Uplight	Ø 60 POLE	HI DAC: DALI + CLO	95	5747308316	1,652
LED 3000K 33W	3145	Aluminium Colour Texture	I	SYMMETRIC 5F	Uplight	SIDE-MOUNTED	HI DAC: DALI + CLO	95	5747406807	1,816
LED 3000K 33W	3145	Aluminium Colour Texture	I	SYMMETRIC 5F	Uplight	SIDE-MOUNTED	SR 2XZHAGA CT CLO HI	95	5747406823	1,984
LED 3000K 33W	3153	Aluminium Colour Texture	II	ASYM 2H	No Uplight	Ø 60 POLE	HI DPC: NIGHTDIM + CLO	96	5747308413	1,517
LED 3000K 33W	3148	Aluminium Colour Texture	II	ASYM 2H	Uplight	Ø 60 POLE	HI DPC: NIGHTDIM + CLO	95	5747308374	1,652
LED 3000K 33W	3148	Aluminium Colour Texture	II	ASYM 2H	Uplight	SIDE-MOUNTED	HI DPC: NIGHTDIM + CLO	95	5747406881	1,816
LED 3000K 33W	3143	Aluminium Colour Texture	II	SYMMETRIC 5F	No Uplight	Ø 60 POLE	HI DPC: NIGHTDIM + CLO	95	5747308439	1,517
LED 3000K 33W	3145	Aluminium Colour Texture	II	SYMMETRIC 5F	Uplight	Ø 60 POLE	HI DPC: NIGHTDIM + CLO	95	5747308390	1,652
LED 3000K 33W	3145	Aluminium Colour Texture	II	SYMMETRIC 5F	Uplight	SIDE-MOUNTED	HI DPC: NIGHTDIM + CLO	95	5747406904	1,816
LED 3000K/4000K 17W		Aluminium Colour Texture	I/II	_**	_**	Ø 60 POLE	SR 2XZHAGA CT **		-	Contact LP
LED 3000K/4000K 33W		Aluminium Colour Texture	I/II	_**	_**	Ø 60 POLE	SR 2XZHAGA CT **		-	Contact LP
LED 4000K 17W	1876	Aluminium Colour Texture	I	ASYM 2H	No Uplight	Ø 60 POLE	LI DAC: DALI + CLO	110	5747308183	1,517
LED 4000K 17W	1871	Aluminium Colour Texture	I	ASYM 2H	Uplight	Ø 60 POLE	LI DAC: DALI + CLO	110	5747308141	1,652
LED 4000K 17W	1871	Aluminium Colour Texture	I	ASYM 2H	Uplight	SIDE-MOUNTED	LI DAC: DALI + CLO	110	5747406632	1,816
LED 4000K 17W	1866	Aluminium Colour Texture	I	SYMMETRIC 5F	No Uplight	Ø 60 POLE	LI DAC: DALI + CLO	110	5747308206	1,517
LED 4000K 17W	1871	Aluminium Colour Texture	I	SYMMETRIC 5F	Uplight	Ø 60 POLE	LI DAC: DALI + CLO	110	5747308167	1,652

Light source	Lumen	Finish	Class	Light technique	Shade	Mounting	Lighting control	Efficacy	Order-no.	RRP €
LED 4000K 17W	1871	Aluminium Colour Texture	I	SYMMETRIC 5F	Uplight	SIDE-MOUNTED	LI DAC: DALI + CLO	110	5747406658	1,816
LED 4000K 17W	1876	Aluminium Colour Texture	II	ASYM 2H	No Uplight	Ø 60 POLE	LI DPC: NIGHTDIM + CLO	110	5747308264	1,517
LED 4000K 17W	1871	Aluminium Colour Texture	II	ASYM 2H	Uplight	Ø 60 POLE	LI DPC: NIGHTDIM + CLO	110	5747308222	1,652
LED 4000K 17W	1871	Aluminium Colour Texture	II	ASYM 2H	Uplight	SIDE-MOUNTED	LI DPC: NIGHTDIM + CLO	110	5747406713	1,816
LED 4000K 17W	1866	Aluminium Colour Texture	II	SYMMETRIC 5F	No Uplight	Ø 60 POLE	LI DPC: NIGHTDIM + CLO	110	5747308280	1,517
LED 4000K 17W	1871	Aluminium Colour Texture	II	SYMMETRIC 5F	Uplight	Ø 60 POLE	LI DPC: NIGHTDIM + CLO	110	5747308248	1,652
LED 4000K 17W	1871	Aluminium Colour Texture	II	SYMMETRIC 5F	Uplight	SIDE-MOUNTED	LI DPC: NIGHTDIM + CLO	110	5747406739	1,816
LED 4000K 33W	3378	Aluminium Colour Texture	I	ASYM 2H	No Uplight	Ø 60 POLE	HI DAC: DALI + CLO	102	5747308345	1,517
LED 4000K 33W	3373	Aluminium Colour Texture	I	ASYM 2H	Uplight	Ø 60 POLE	HI DAC: DALI + CLO	102	5747308303	1,652
LED 4000K 33W	3373	Aluminium Colour Texture	I	ASYM 2H	Uplight	SIDE-MOUNTED	HI DAC: DALI + CLO	102	5747406797	1,816
LED 4000K 33W	3368	Aluminium Colour Texture	I	SYMMETRIC 5F	No Uplight	Ø 60 POLE	HI DAC: DALI + CLO	102	5747308361	1,517
LED 4000K 33W	3370	Aluminium Colour Texture	I	SYMMETRIC 5F	Uplight	Ø 60 POLE	HI DAC: DALI + CLO	102	5747308329	1,652
LED 4000K 33W	3370	Aluminium Colour Texture	I	SYMMETRIC 5F	Uplight	SIDE-MOUNTED	HI DAC: DALI + CLO	102	5747406810	1,816
LED 4000K 33W	3378	Aluminium Colour Texture	II	ASYM 2H	No Uplight	Ø 60 POLE	HI DPC: NIGHTDIM + CLO	102	5747308426	1,517
LED 4000K 33W	3373	Aluminium Colour Texture	II	ASYM 2H	Uplight	Ø 60 POLE	HI DPC: NIGHTDIM + CLO	102	5747308387	1,652
LED 4000K 33W	3373	Aluminium Colour Texture	II	ASYM 2H	Uplight	SIDE-MOUNTED	HI DPC: NIGHTDIM + CLO	102	5747406894	1,816
LED 4000K 33W	3368	Aluminium Colour Texture	II	SYMMETRIC 5F	No Uplight	Ø 60 POLE	HI DPC: NIGHTDIM + CLO	102	5747308442	1,517
LED 4000K 33W	3370	Aluminium Colour Texture	II	SYMMETRIC 5F	Uplight	Ø 60 POLE	HI DPC: NIGHTDIM + CLO	102	5747308400	1,652
LED 4000K 33W	3370	Aluminium Colour Texture	II	SYMMETRIC 5F	Uplight	SIDE-MOUNTED	HI DPC: NIGHTDIM + CLO	102	5747406917	1,816
<b>Accessories</b>										
TRANS.PIECE POLE Ø114/76 GALV									5747826872	321
TRANS.PIECE F/POLE Ø114/60 GALV									5747826885	321

**\*\*Please specify upon ordering. All variants available with Zhaga socket for Smart City compatibility. Including CLO and night time dimming options.**

**Please contact Louis Poulsen for 2700K and more info about supported Light Management Systems**

# Kipp Post

## Post

**Design:** Alfred Homann

**Concept:** The fixture emits symmetrical light directed downwards. The angle of the internal diffuser, together with the slightly curved top shade, ensures a wide band of glare-free, uniform lighting.

**Finish:** Aluminium coloured with textured surface or graphite grey, powder coated.

**Material:** Top shade: White or black, injection moulded ASA. Enclosure: Injection moulded clear polycarbonate. Frame: Die cast aluminium.

**Mounting:** Pole dimension: Ø 60mm or Ø 76mm. Transition piece available for pole Ø 115mm.

Installation cable: 5m 2x1,5mm<sup>2</sup> (-DPC Class II), 5m 3x1,5mm<sup>2</sup> (-DPC Class I), 5m 4x1,5mm<sup>2</sup> (-DAC Class II), 5m 5x1,5mm<sup>2</sup> (-DAC Class I). Looping: Approved. LED driver in fixture head. LI: Cable to be mounted in fuse box (not included). Driver is placed in the fixture head. HI: Cable to be mounted in fuse box (included) connected to the driver. Both are placed in the pole.

**Weight:** Max. 12kg.

**Class:** Ingress protection IP66. Electric shock protection I w. ground, II w/o ground. IK10.

**Info notes:** LED Upgrade Kit available for updating conventional Kipp variants with LED. Dimming options available: DALI, CLO, and night time dimming (default setting: 50% power in 8 hours). LI is delivered with outdoor LED driver with transient protection. HI is delivered with integrated surge protection device (SPD). All variants available with Zhaga socket for Smart City compatibility. Including CLO and night time dimming options.

Please contact Louis Poulsen for 2700K and more info about supported Light Management Systems.



Light source	Lumen	Finish	Class	Shield/Diffuser	Shade	Mounting	Lighting control	Efficacy	Order-no.	RRP €
LED 3000K 30W	3011	Aluminium Colour Texture	I	CONICAL	WHT	Ø 76 POLE	LI DAC: DALI + CLO	100	5747810668	2,180
LED 3000K 30W	3011	Aluminium Colour Texture	I	CONICAL	WHT	Ø 115 POLE	LI DAC: DALI + CLO	100	5747810781	2,391
LED 3000K 30W	3011	Aluminium Colour Texture	I	CONICAL	WHT	Ø 60 POLE	LI DAC: DALI + CLO	100	5747810626	2,180
LED 3000K 30W	3011	Aluminium Colour Texture	II	CONICAL	WHT	Ø 60 POLE	LI DPC: NIGHTDIM + CLO	100	5747810707	2,180
LED 3000K 30W	3011	Aluminium Colour Texture	II	CONICAL	WHT	Ø 76 POLE	LI DPC: NIGHTDIM + CLO	100	5747810749	2,180
LED 3000K 30W	3011	Aluminium Colour Texture	II	CONICAL	WHT	Ø 115 POLE	LI DPC: NIGHTDIM + CLO	100	5747810820	2,391
LED 3000K 30W	3011	Graphite Grey	I	CONICAL	BLK	Ø 60 POLE	LI DAC: DALI + CLO	100	5747810642	2,180
LED 3000K 30W	3011	Graphite Grey	I	CONICAL	BLK	Ø 76 POLE	LI DAC: DALI + CLO	100	5747810684	2,180
LED 3000K 30W	3011	Graphite Grey	I	CONICAL	BLK	Ø 115 POLE	LI DAC: DALI + CLO	100	5747810804	2,391
LED 3000K 30W	3011	Graphite Grey	II	CONICAL	BLK	Ø 60 POLE	LI DPC: NIGHTDIM + CLO	100	5747810723	2,180
LED 3000K 30W	3011	Graphite Grey	II	CONICAL	BLK	Ø 76 POLE	LI DPC: NIGHTDIM + CLO	100	5747810765	2,180
LED 3000K 30W	3011	Graphite Grey	II	CONICAL	BLK	Ø 115 POLE	LI DPC: NIGHTDIM + CLO	100	5747810846	2,391
LED 3000K 66W	6575	Aluminium Colour Texture	I	CONICAL	WHT	Ø 60 POLE	HI DPC: NIGHTDIM + CLO	100	5747824926	2,512
LED 3000K 66W	6575	Aluminium Colour Texture	I	CONICAL	WHT	Ø 76 POLE	HI DPC: NIGHTDIM + CLO	100	5747824968	2,512
LED 3000K 66W	6575	Aluminium Colour Texture	I	CONICAL	WHT	Ø 115 POLE	HI DPC: NIGHTDIM + CLO	100	5747825006	2,512
LED 3000K 66W	6575	Graphite Grey	I	CONICAL	BLK	Ø 60 POLE	HI DPC: NIGHTDIM + CLO	100	5747824942	2,512
LED 3000K 66W	6575	Graphite Grey	I	CONICAL	BLK	Ø 76 POLE	HI DPC: NIGHTDIM + CLO	100	5747824984	2,512
LED 3000K 66W	6575	Graphite Grey	I	CONICAL	BLK	Ø 115 POLE	HI DPC: NIGHTDIM + CLO	100	5747825022	2,512
LED 3000K/4000K 30W **	-**	-**	I/II	-**	-**	-**	SR ZHAGA CT **	-	-	Contact LP
LED 3000K/4000K 66W **	-**	-**	I/II	-**	-**	-**	SR ZHAGA CT **	-	-	Contact LP
LED 4000K 30W	3104	Aluminium Colour Texture	I	CONICAL	WHT	Ø 60 POLE	LI DAC: DALI + CLO	103	5747810639	2,180
LED 4000K 30W	3104	Aluminium Colour Texture	I	CONICAL	WHT	Ø 76 POLE	LI DAC: DALI + CLO	103	5747810671	2,180
LED 4000K 30W	3104	Aluminium Colour Texture	I	CONICAL	WHT	Ø 115 POLE	LI DAC: DALI + CLO	103	5747810794	2,391
LED 4000K 30W	3104	Aluminium Colour Texture	II	CONICAL	WHT	Ø 60 POLE	LI DPC: NIGHTDIM + CLO	103	5747810710	2,180
LED 4000K 30W	3104	Aluminium Colour Texture	II	CONICAL	WHT	Ø 76 POLE	LI DPC: NIGHTDIM + CLO	103	5747810752	2,180
LED 4000K 30W	3104	Aluminium Colour Texture	II	CONICAL	WHT	Ø 115 POLE	LI DPC: NIGHTDIM + CLO	103	5747810833	2,391

Light source	Lumen	Finish	Class	Shield/Diffuser	Shade	Mounting	Lighting control	Efficacy	Order-no.	RRP €
LED 4000K 30W	3104	Graphite Grey	I	CONICAL	BLK	Ø 60 POLE	LI DAC: DALI + CLO	103	5747810655	2,180
LED 4000K 30W	3104	Graphite Grey	I	CONICAL	BLK	Ø 76 POLE	LI DAC: DALI + CLO	103	5747810697	2,180
LED 4000K 30W	3104	Graphite Grey	I	CONICAL	BLK	Ø 115 POLE	LI DAC: DALI + CLO	103	5747810817	2,391
LED 4000K 30W	3104	Graphite Grey	II	CONICAL	BLK	Ø 60 POLE	LI DPC: NIGHTDIM + CLO	103	5747810736	2,180
LED 4000K 30W	3104	Graphite Grey	II	CONICAL	BLK	Ø 76 POLE	LI DPC: NIGHTDIM + CLO	103	5747810778	2,180
LED 4000K 30W	3104	Graphite Grey	II	CONICAL	BLK	Ø 115 POLE	LI DPC: NIGHTDIM + CLO	103	5747810859	2,391
LED 4000K 66W	6746	Aluminium Colour Texture	I	CONICAL	WHT	Ø 60 POLE	HI DPC: NIGHTDIM + CLO	102	5747824939	2,512
LED 4000K 66W	6746	Aluminium Colour Texture	I	CONICAL	WHT	Ø 76 POLE	HI DPC: NIGHTDIM + CLO	102	5747824971	2,512
LED 4000K 66W	6746	Aluminium Colour Texture	I	CONICAL	WHT	Ø 115 POLE	HI DPC: NIGHTDIM + CLO	102	5747825019	2,512
LED 4000K 66W	6746	Graphite Grey	I	CONICAL	BLK	Ø 60 POLE	HI DPC: NIGHTDIM + CLO	102	5747824955	2,512
LED 4000K 66W	6746	Graphite Grey	I	CONICAL	BLK	Ø 76 POLE	HI DPC: NIGHTDIM + CLO	102	5747824997	2,512
LED 4000K 66W	6746	Graphite Grey	I	CONICAL	BLK	Ø 115 POLE	HI DPC: NIGHTDIM + CLO	102	5747825035	2,512
<b>Sparepart</b>										
Kipp Ø773 diffuser inner opal conical									5747815867	122
Kipp replacement kit LED LI 3K V3									5747811214	208
Kipp replacement kit LED LI 4K V3									5747811227	208
Kipp Ø773 diffuser clear polycarbonate									5747815854	364
Kipp Ø773 top shade white									5747815883	448
Kipp Ø773 top shade black									5747815896	448
Kipp replacement kit LED HI 3K V3									5747825048	703
Kipp replacement kit LED HI 4K V3									5747825051	703
<b>Accessories</b>										
KIPP POST TOP ASYMMETRIC DIFFUSER OPAL 120 DEGREES									5747824913	176
KIPP TRANS.PIECE F/POLE Ø115/60 GRAPH GR									5747299153	211
KIPP, TRANS.PIECE F/POLE 115/60, ALU									5747302273	211

**\*\*Please specify upon ordering. All variants available with Zhaga socket for Smart City compatibility. Including CLO and night time dimming options.**

**Please contact Louis Poulsen for 2700K and more info about supported Light Management Systems.**

# LP Capsule

## Post

**Design:** Carsten Fischer/Henning Larsen

**Concept:** The fixture provides direct downward illumination and is self-illuminating. The fixture is available in two variants - round symmetrical and asymmetrical light distribution. The opal shade minimizes glare. It emphasizes the shape of the luminaire and creates ambience and comfort.

**Finish:** Aluminium coloured with textured surface, powder coated.

**Material:** Lower shade: Injection moulded clear polycarbonate. With glowing, diffused opal light in rim. Upper Shade: Injection moulded opal impact resistant PMMA. Housing: Die-cast aluminium. Base: Die cast aluminium.

**Mounting:** Pole dimension: Ø 60mm or Ø 76mm. Installation cable: DAC (DALI+CLO) versions: 4m 5x1mm<sup>2</sup> (Class I) or 4m 2x1,5mm<sup>2</sup> (Class II). DPC (night dim/CLO) versions: 4m 3x1,5mm<sup>2</sup> (Class I) or 4m 2x1,5mm<sup>2</sup> (Class II). Terminal block: 1x5x2.5mm<sup>2</sup>. Terminal block positioning: In fixture head. LED Driver: In fixturehead.

**Weight:** Max. 7.6kg.

**Class:** Ingress protection IP66. Electric shock protection I w. ground, II w/o ground. IK08.

**Info notes:** Delivered with integrated Surge Protection Devicee. Nightdim 8h 50%. All variants available with Zhaga socket for Smart City compatibility. Including CLO and night time dimming options.

Please contact Louis Poulsen for 2700K.



Light source	Lumen	Finish	Class	Light technique	Mounting	Lighting control	Efficacy	Order-no.	RRP €
LED 3000K 17W	1691	Aluminium Colour Texture	I	ASYM	Ø 60 POLE	LI DAC: DALI + CLO	99	5747308002	1,517
LED 3000K 17W	1691	Aluminium Colour Texture	I	ASYM	Ø 76 POLE	LI DAC: DALI + CLO	99	5747308015	1,517
LED 3000K 17W	1609	Aluminium Colour Texture	I	SYMMETRIC	Ø 76 POLE	LI DAC: DALI + CLO	95	5747307935	1,517
LED 3000K 17W	1609	Aluminium Colour Texture	I	SYMMETRIC	Ø 60 POLE	LI DAC: DALI + CLO	95	5747307922	1,517
LED 3000K 17W	1691	Aluminium Colour Texture	II	ASYM	Ø 60 POLE	LI DPC: NIGHTDIM + CLO	99	5747307841	1,517
LED 3000K 17W	1691	Aluminium Colour Texture	II	ASYM	Ø 76 POLE	LI DPC: NIGHTDIM + CLO	99	5747307854	1,517
LED 3000K 17W	1609	Aluminium Colour Texture	II	SYMMETRIC	Ø 60 POLE	LI DPC: NIGHTDIM + CLO	95	5747307760	1,517
LED 3000K 17W	1609	Aluminium Colour Texture	II	SYMMETRIC	Ø 76 POLE	LI DPC: NIGHTDIM + CLO	95	5747307773	1,517
LED 3000K 32W	3062	Aluminium Colour Texture	I	ASYM	Ø 60 POLE	HI DAC: DALI + CLO	96	5747308028	1,517
LED 3000K 32W	3062	Aluminium Colour Texture	I	ASYM	Ø 76 POLE	HI DAC: DALI + CLO	96	5747308031	1,517
LED 3000K 32W	2933	Aluminium Colour Texture	I	SYMMETRIC	Ø 60 POLE	HI DAC: DALI + CLO	92	5747307948	1,517
LED 3000K 32W	2933	Aluminium Colour Texture	I	SYMMETRIC	Ø 76 POLE	HI DAC: DALI + CLO	92	5747307951	1,517
LED 3000K 32W	3062	Aluminium Colour Texture	II	ASYM	Ø 60 POLE	HI DPC: NIGHTDIM + CLO	96	5747307867	1,517
LED 3000K 32W	3062	Aluminium Colour Texture	II	ASYM	Ø 76 POLE	HI DPC: NIGHTDIM + CLO	96	5747307870	1,517
LED 3000K 32W	2933	Aluminium Colour Texture	II	SYMMETRIC	Ø 60 POLE	HI DPC: NIGHTDIM + CLO	92	5747307786	1,517
LED 3000K 32W	2933	Aluminium Colour Texture	II	SYMMETRIC	Ø 76 POLE	HI DPC: NIGHTDIM + CLO	92	5747307799	1,517
LED 3000K/4000K 17W		Aluminium Colour Texture	I/II	—**	—**	SR ZHAGA CT **		-	Contact LP
LED 3000K/4000K 32W		Aluminium Colour Texture	I/II	—**	—**	SR ZHAGA CT **		-	Contact LP
LED 4000K 17W	1812	Aluminium Colour Texture	I	ASYM	Ø 60 POLE	LI DAC: DALI + CLO	107	5747308044	1,517
LED 4000K 17W	1812	Aluminium Colour Texture	I	ASYM	Ø 76 POLE	LI DAC: DALI + CLO	107	5747308057	1,517
LED 4000K 17W	1724	Aluminium Colour Texture	I	SYMMETRIC	Ø 60 POLE	LI DAC: DALI + CLO	101	5747307964	1,517
LED 4000K 17W	1724	Aluminium Colour Texture	I	SYMMETRIC	Ø 76 POLE	LI DAC: DALI + CLO	101	5747307977	1,517
LED 4000K 17W	1812	Aluminium Colour Texture	II	ASYM	Ø 60 POLE	LI DPC: NIGHTDIM + CLO	107	5747307883	1,517
LED 4000K 17W	1812	Aluminium Colour Texture	II	ASYM	Ø 76 POLE	LI DPC: NIGHTDIM + CLO	107	5747307896	1,517
LED 4000K 17W	1724	Aluminium Colour Texture	II	SYMMETRIC	Ø 60 POLE	LI DPC: NIGHTDIM + CLO	101	5747307809	1,517
LED 4000K 17W	1724	Aluminium Colour Texture	II	SYMMETRIC	Ø 76 POLE	LI DPC: NIGHTDIM + CLO	101	5747307812	1,517
LED 4000K 32W	3281	Aluminium Colour Texture	I	ASYM	Ø 60 POLE	HI DAC: DALI + CLO	103	5747308060	1,517
LED 4000K 32W	3281	Aluminium Colour Texture	I	ASYM	Ø 76 POLE	HI DAC: DALI + CLO	103	5747308073	1,517
LED 4000K 32W	3143	Aluminium Colour Texture	I	SYMMETRIC	Ø 60 POLE	HI DAC: DALI + CLO	98	5747307980	1,517
LED 4000K 32W	3143	Aluminium Colour Texture	I	SYMMETRIC	Ø 76 POLE	HI DAC: DALI + CLO	98	5747307993	1,517
LED 4000K 32W	3281	Aluminium Colour Texture	II	ASYM	Ø 60 POLE	HI DPC: NIGHTDIM + CLO	103	5747307906	1,517
LED 4000K 32W	3281	Aluminium Colour Texture	II	ASYM	Ø 76 POLE	HI DPC: NIGHTDIM + CLO	103	5747307919	1,517



Light source	Lumen	Finish	Class	Light technique	Mounting	Lighting control	Efficacy	Order-no.	RRP €
LED 4000K 32W	3143	Aluminium Colour Texture	II	SYMMETRIC	Ø 60 POLE	HI DPC: NIGHTDIM + CLO	98	5747307825	1,517
LED 4000K 32W	3143	Aluminium Colour Texture	II	SYMMETRIC	Ø 76 POLE	HI DPC: NIGHTDIM + CLO	98	5747307838	1,517
<b>Accessories</b>									
TRANS.PIECE POLE Ø114/76 GALV								5747826872	321
TRANS.PIECE F/POLE Ø114/60 GALV								5747826885	321

**\*\*Please specify upon ordering. All variants available with Zhaga socket for Smart City compatibility. Including CLO and night time dimming options.**

Please contact Louis Poulsen for 2700K.

# LP Icon

## Post

Design: Mads Odgård

**Concept:** The fixture mainly provides direct downward illumination. The shade is lit up from within and creates a softly diffused glow. Depending on the lenses chosen, the downwardly directed light can be distributed symmetrically or asymmetrically. Optical lenses in front of the LEDs ensure precise light distribution. The reflector surrounding the LED boards and lenses creates a transition from high luminance to lower luminance, thereby reducing uncomfortable contrast.

**Finish:** Aluminum-colored with textured surface. Powder-coated.

**Material:** Shade: High-pressure-molded white opal acrylic. Reflector: Injection-molded plastic (ASA). Diffuser: Toughened clear glass with silkscreen print. A membran for pressure equalization is mounted in the glass. Housing: Die-cast aluminum.

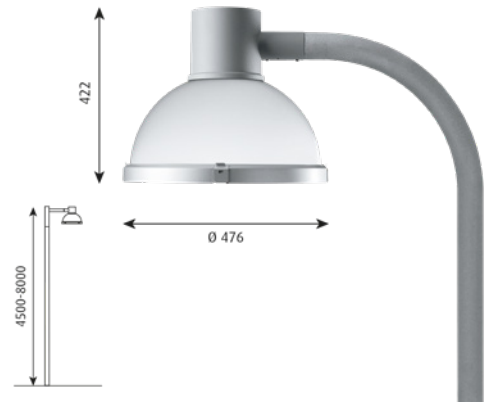
**Mounting:** Fitting/pipe stub dimensions: Dia. 48 mm min. 100 mm or wire suspension. Installation cord: Side-mounted and top-mounted versions: 9 m, 5 x 1.5 mm<sup>2</sup> (Class I) or 9 m, 4 x 1.5 mm<sup>2</sup> (Class II). Top-mounted: For 3/4" pipe thread min. 34 mm. Wire-mounted version: No cord, but approved for looping max. 3 x 1.5mm<sup>2</sup> via IP68 connectors. Driver position: In fixture head. Tool-free replacement of LED and driver unit.

**Class:** Ingress protection IP66. Electric shock protection I w/ground, II w/o ground. IK06.

**Info notes:** Dimming options: DALI, CLO, and nighttime dimming (default setting: 50% power in 8 hours). All variants available with Zhaga socket for Smart City compatibility, including CLO and nighttime dimming options. LED and driver unit replacement kit including different light beam distributions available. A Retrofit Kit is available for updating conventional LP Icon variants to LED.

The innovation of the LED technology is constant. The specifications mentioned are based on current technology.

Please contact Louis Poulsen for 2700K.



Light source	Lumen	Finish	Class	Light technique	Mounting	Lighting control	Plug	Efficacy	Order-no.	RRP €
LED 3000K 32W	3303	Aluminium Colour Texture	I	ASY2	TOP-MOUNTED	2XZHAGA SR	3000 LUMEN	103	5747837298	1,968
LED 3000K 32W	3303	Aluminium Colour Texture	I	ASY2	SIDE-MOUNTED	2XZHAGA SR	3000 LUMEN	103	5747839911	1,968
LED 3000K 32W	3303	Aluminium Colour Texture	I	ASY2	WIRE TOP-MOUNTED	2XZHAGA SR	3000 LUMEN	103	5747840751	1,968
LED 3000K 32W	3303	Aluminium Colour Texture	I	ASY2	SIDE-MOUNTED	DAC: DALI + CLO	3000 LUMEN	103	5747839801	1,791
LED 3000K 32W	3303	Aluminium Colour Texture	I	ASY2	WIRE TOP-MOUNTED	DAC: DALI + CLO	3000 LUMEN	103	5747840641	1,791
LED 3000K 32W	3303	Aluminium Colour Texture	I	ASY2	TOP-MOUNTED	ZHAGA SR	3000 LUMEN	103	5747837285	1,968
LED 3000K 32W	3303	Aluminium Colour Texture	I	ASY2	SIDE-MOUNTED	ZHAGA SR	3000 LUMEN	103	5747839908	1,968
LED 3000K 32W	3303	Aluminium Colour Texture	I	ASY2	WIRE TOP-MOUNTED	ZHAGA SR	3000 LUMEN	103	5747840748	1,968
LED 3000K 32W	3303	Aluminium Colour Texture	I	ASY2	TOP-MOUNTED	DAC: DALI + CLO	3000 LUMEN	103	5747837188	1,791
LED 3000K 32W	3214	Aluminium Colour Texture	I	ASYT3	TOP-MOUNTED	DAC: DALI + CLO	3000 LUMEN	100	5747837201	1,791
LED 3000K 32W	3214	Aluminium Colour Texture	I	ASYT3	SIDE-MOUNTED	DAC: DALI + CLO	3000 LUMEN	100	5747839827	1,791
LED 3000K 32W	3214	Aluminium Colour Texture	I	ASYT3	WIRE TOP-MOUNTED	DAC: DALI + CLO	3000 LUMEN	100	5747840667	1,791
LED 3000K 32W	3276	Aluminium Colour Texture	I	DOUBLE SYMM	TOP-MOUNTED	DAC: DALI + CLO	3000 LUMEN	102	5747837214	1,791
LED 3000K 32W	3276	Aluminium Colour Texture	I	DOUBLE SYMM	SIDE-MOUNTED	DAC: DALI + CLO	3000 LUMEN	102	5747839830	1,791
LED 3000K 32W	3276	Aluminium Colour Texture	I	DOUBLE SYMM	WIRE TOP-MOUNTED	DAC: DALI + CLO	3000 LUMEN	102	5747840670	1,791
LED 3000K 32W	3288	Aluminium Colour Texture	I	ROT5	TOP-MOUNTED	DAC: DALI + CLO	3000 LUMEN	103	5747837227	1,791
LED 3000K 32W	3288	Aluminium Colour Texture	I	ROT5	SIDE-MOUNTED	DAC: DALI + CLO	3000 LUMEN	103	5747839843	1,791
LED 3000K 32W	3288	Aluminium Colour Texture	I	ROT5	WIRE TOP-MOUNTED	DAC: DALI + CLO	3000 LUMEN	103	5747840683	1,791
LED 3000K 32W	3303	Aluminium Colour Texture	II	ASY2	TOP-MOUNTED	DPC: NIGHTDIM + CLO	3000 LUMEN	103	5747837230	1,791
LED 3000K 32W	3303	Aluminium Colour Texture	II	ASY2	SIDE-MOUNTED	DPC: NIGHTDIM + CLO	3000 LUMEN	103	5747839856	1,791
LED 3000K 32W	3303	Aluminium Colour Texture	II	ASY2	WIRE TOP-MOUNTED	DPC: NIGHTDIM + CLO	3000 LUMEN	103	5747840696	1,791
LED 3000K 32W	3214	Aluminium Colour Texture	II	ASYT3	TOP-MOUNTED	DPC: NIGHTDIM + CLO	3000 LUMEN	100	5747837256	1,791
LED 3000K 32W	3214	Aluminium Colour Texture	II	ASYT3	SIDE-MOUNTED	DPC: NIGHTDIM + CLO	3000 LUMEN	100	5747839872	1,791
LED 3000K 32W	3214	Aluminium Colour Texture	II	ASYT3	WIRE TOP-MOUNTED	DPC: NIGHTDIM + CLO	3000 LUMEN	100	5747840719	1,791
LED 3000K 32W	3276	Aluminium Colour Texture	II	DOUBLE SYMM	TOP-MOUNTED	DPC: NIGHTDIM + CLO	3000 LUMEN	102	5747837269	1,791

Light source	Lumen	Finish	Class	Light technique	Mounting	Lighting control	Plug	Efficacy	Order-no.	RRP €
LED 3000K 32W	3276	Aluminium Colour Texture	II	DOUBLE SYMM	SIDE-MOUNTED	DPC: NIGHTDIM + CLO	3000 LUMEN	102	5747839885	1,791
LED 3000K 32W	3276	Aluminium Colour Texture	II	DOUBLE SYMM	WIRE TOP-MOUNTED	DPC: NIGHTDIM + CLO	3000 LUMEN	102	5747840722	1,791
LED 3000K 32W	3288	Aluminium Colour Texture	II	ROT5	TOP-MOUNTED	DPC: NIGHTDIM + CLO	3000 LUMEN	103	5747837272	1,791
LED 3000K 32W	3288	Aluminium Colour Texture	II	ROT5	SIDE-MOUNTED	DPC: NIGHTDIM + CLO	3000 LUMEN	103	5747839898	1,791
LED 3000K 32W	3288	Aluminium Colour Texture	II	ROT5	WIRE TOP-MOUNTED	DPC: NIGHTDIM + CLO	3000 LUMEN	103	5747840735	1,791
LED 3000K 61W	6470	Aluminium Colour Texture	I	ASY2	SIDE-MOUNTED	2XZHAGA SR	6000 LUMEN	106	5747840159	2,295
LED 3000K 61W	6470	Aluminium Colour Texture	I	ASY2	TOP-MOUNTED	2XZHAGA SR	6000 LUMEN	106	5747840515	2,295
LED 3000K 61W	6470	Aluminium Colour Texture	I	ASY2	WIRE TOP-MOUNTED	2XZHAGA SR	6000 LUMEN	106	5747840997	2,295
LED 3000K 61W	6470	Aluminium Colour Texture	I	ASY2	SIDE-MOUNTED	DAC: DALI + CLO	6000 LUMEN	106	5747840049	2,089
LED 3000K 61W	6470	Aluminium Colour Texture	I	ASY2	TOP-MOUNTED	DAC: DALI + CLO	6000 LUMEN	106	5747840405	2,089
LED 3000K 61W	6470	Aluminium Colour Texture	I	ASY2	WIRE TOP-MOUNTED	DAC: DALI + CLO	6000 LUMEN	106	5747840887	2,089
LED 3000K 61W	6470	Aluminium Colour Texture	I	ASY2	SIDE-MOUNTED	ZHAGA SR	6000 LUMEN	106	5747840146	2,295
LED 3000K 61W	6470	Aluminium Colour Texture	I	ASY2	TOP-MOUNTED	ZHAGA SR	6000 LUMEN	106	5747840502	2,295
LED 3000K 61W	6470	Aluminium Colour Texture	I	ASY2	WIRE TOP-MOUNTED	ZHAGA SR	6000 LUMEN	106	5747840984	2,295
LED 3000K 61W	6275	Aluminium Colour Texture	I	ASYT3	SIDE-MOUNTED	DAC: DALI + CLO	6000 LUMEN	103	5747840065	2,089
LED 3000K 61W	6275	Aluminium Colour Texture	I	ASYT3	TOP-MOUNTED	DAC: DALI + CLO	6000 LUMEN	103	5747840421	2,089
LED 3000K 61W	6275	Aluminium Colour Texture	I	ASYT3	WIRE TOP-MOUNTED	DAC: DALI + CLO	6000 LUMEN	103	5747840900	2,089
LED 3000K 61W	6402	Aluminium Colour Texture	I	DOUBLE SYMM	SIDE-MOUNTED	DAC: DALI + CLO	6000 LUMEN	105	5747840078	2,089
LED 3000K 61W	6402	Aluminium Colour Texture	I	DOUBLE SYMM	TOP-MOUNTED	DAC: DALI + CLO	6000 LUMEN	105	5747840434	2,089
LED 3000K 61W	6402	Aluminium Colour Texture	I	DOUBLE SYMM	WIRE TOP-MOUNTED	DAC: DALI + CLO	6000 LUMEN	105	5747840913	2,089
LED 3000K 61W	6432	Aluminium Colour Texture	I	ROT5	SIDE-MOUNTED	DAC: DALI + CLO	6000 LUMEN	105	5747840081	2,089
LED 3000K 61W	6432	Aluminium Colour Texture	I	ROT5	TOP-MOUNTED	DAC: DALI + CLO	6000 LUMEN	105	5747840447	2,089
LED 3000K 61W	6432	Aluminium Colour Texture	I	ROT5	WIRE TOP-MOUNTED	DAC: DALI + CLO	6000 LUMEN	105	5747840926	2,089
LED 3000K 61W	6470	Aluminium Colour Texture	II	ASY2	SIDE-MOUNTED	DPC: NIGHTDIM + CLO	6000 LUMEN	106	5747840094	2,089
LED 3000K 61W	6470	Aluminium Colour Texture	II	ASY2	TOP-MOUNTED	DPC: NIGHTDIM + CLO	6000 LUMEN	106	5747840450	2,089
LED 3000K 61W	6470	Aluminium Colour Texture	II	ASY2	WIRE TOP-MOUNTED	DPC: NIGHTDIM + CLO	6000 LUMEN	106	5747840939	2,089
LED 3000K 61W	6275	Aluminium Colour Texture	II	ASYT3	SIDE-MOUNTED	DPC: NIGHTDIM + CLO	6000 LUMEN	103	5747840117	2,089
LED 3000K 61W	6275	Aluminium Colour Texture	II	ASYT3	TOP-MOUNTED	DPC: NIGHTDIM + CLO	6000 LUMEN	103	5747840476	2,089
LED 3000K 61W	6275	Aluminium Colour Texture	II	ASYT3	WIRE TOP-MOUNTED	DPC: NIGHTDIM + CLO	6000 LUMEN	103	5747840955	2,089
LED 3000K 61W	6402	Aluminium Colour Texture	II	DOUBLE SYMM	SIDE-MOUNTED	DPC: NIGHTDIM + CLO	6000 LUMEN	105	5747840120	2,089
LED 3000K 61W	6402	Aluminium Colour Texture	II	DOUBLE SYMM	TOP-MOUNTED	DPC: NIGHTDIM + CLO	6000 LUMEN	105	5747840489	2,089
LED 3000K 61W	6402	Aluminium Colour Texture	II	DOUBLE SYMM	WIRE TOP-MOUNTED	DPC: NIGHTDIM + CLO	6000 LUMEN	105	5747840968	2,089
LED 3000K 61W	6432	Aluminium Colour Texture	II	ROT5	SIDE-MOUNTED	DPC: NIGHTDIM + CLO	6000 LUMEN	105	5747840133	2,089
LED 3000K 61W	6432	Aluminium Colour Texture	II	ROT5	TOP-MOUNTED	DPC: NIGHTDIM + CLO	6000 LUMEN	105	5747840492	2,089
LED 3000K 61W	6432	Aluminium Colour Texture	II	ROT5	WIRE TOP-MOUNTED	DPC: NIGHTDIM + CLO	6000 LUMEN	105	5747840971	2,089
LED 4000K 32W	3415	Aluminium Colour Texture	I	ASY2	SIDE-MOUNTED	2XZHAGA SR	3000 LUMEN	107	5747840036	1,968
LED 4000K 32W	3415	Aluminium Colour Texture	I	ASY2	TOP-MOUNTED	2XZHAGA SR	3000 LUMEN	107	5747840395	1,968
LED 4000K 32W	3415	Aluminium Colour Texture	I	ASY2	WIRE TOP-MOUNTED	2XZHAGA SR	3000 LUMEN	107	5747840874	1,968
LED 4000K 32W	3415	Aluminium Colour Texture	I	ASY2	SIDE-MOUNTED	DAC: DALI + CLO	3000 LUMEN	107	5747839924	1,791
LED 4000K 32W	3415	Aluminium Colour Texture	I	ASY2	TOP-MOUNTED	DAC: DALI + CLO	3000 LUMEN	107	5747840285	1,791
LED 4000K 32W	3415	Aluminium Colour Texture	I	ASY2	WIRE TOP-MOUNTED	DAC: DALI + CLO	3000 LUMEN	107	5747840764	1,791
LED 4000K 32W	3415	Aluminium Colour Texture	I	ASY2	SIDE-MOUNTED	ZHAGA SR	3000 LUMEN	107	5747840023	1,968
LED 4000K 32W	3415	Aluminium Colour Texture	I	ASY2	TOP-MOUNTED	ZHAGA SR	3000 LUMEN	107	5747840382	1,968
LED 4000K 32W	3415	Aluminium Colour Texture	I	ASY2	WIRE TOP-MOUNTED	ZHAGA SR	3000 LUMEN	107	5747840861	1,968
LED 4000K 32W	3323	Aluminium Colour Texture	I	ASYT3	SIDE-MOUNTED	DAC: DALI + CLO	3000 LUMEN	104	5747839940	1,791
LED 4000K 32W	3323	Aluminium Colour Texture	I	ASYT3	TOP-MOUNTED	DAC: DALI + CLO	3000 LUMEN	104	5747840308	1,791
LED 4000K 32W	3323	Aluminium Colour Texture	I	ASYT3	WIRE TOP-MOUNTED	DAC: DALI + CLO	3000 LUMEN	104	5747840780	1,791
LED 4000K 32W	3387	Aluminium Colour Texture	I	DOUBLE SYMM	SIDE-MOUNTED	DAC: DALI + CLO	3000 LUMEN	106	5747839953	1,791
LED 4000K 32W	3387	Aluminium Colour Texture	I	DOUBLE SYMM	TOP-MOUNTED	DAC: DALI + CLO	3000 LUMEN	106	5747840311	1,791
LED 4000K 32W	3387	Aluminium Colour Texture	I	DOUBLE SYMM	WIRE TOP-MOUNTED	DAC: DALI + CLO	3000 LUMEN	106	5747840793	1,791
LED 4000K 32W	3400	Aluminium Colour Texture	I	ROT5	SIDE-MOUNTED	DAC: DALI + CLO	3000 LUMEN	106	5747839966	1,791
LED 4000K 32W	3400	Aluminium Colour Texture	I	ROT5	TOP-MOUNTED	DAC: DALI + CLO	3000 LUMEN	106	5747840324	1,791
LED 4000K 32W	3400	Aluminium Colour Texture	I	ROT5	WIRE TOP-MOUNTED	DAC: DALI + CLO	3000 LUMEN	106	5747840803	1,791
LED 4000K 32W	3415	Aluminium Colour Texture	II	ASY2	SIDE-MOUNTED	DPC: NIGHTDIM + CLO	3000 LUMEN	107	5747839979	1,791
LED 4000K 32W	3415	Aluminium Colour Texture	II	ASY2	TOP-MOUNTED	DPC: NIGHTDIM + CLO	3000 LUMEN	107	5747840337	1,791
LED 4000K 32W	3415	Aluminium Colour Texture	II	ASY2	WIRE TOP-MOUNTED	DPC: NIGHTDIM + CLO	3000 LUMEN	107	5747840816	1,791
LED 4000K 32W	3323	Aluminium Colour Texture	II	ASYT3	SIDE-MOUNTED	DPC: NIGHTDIM + CLO	3000 LUMEN	104	5747839995	1,791
LED 4000K 32W	3323	Aluminium Colour Texture	II	ASYT3	TOP-MOUNTED	DPC: NIGHTDIM + CLO	3000 LUMEN	104	5747840353	1,791
LED 4000K 32W	3323	Aluminium Colour Texture	II	ASYT3	WIRE TOP-MOUNTED	DPC: NIGHTDIM + CLO	3000 LUMEN	104	5747840832	1,791
LED 4000K 32W	3387	Aluminium Colour Texture	II	DOUBLE SYMM	SIDE-MOUNTED	DPC: NIGHTDIM + CLO	3000 LUMEN	106	5747840007	1,791
LED 4000K 32W	3387	Aluminium Colour Texture	II	DOUBLE SYMM	TOP-MOUNTED	DPC: NIGHTDIM + CLO	3000 LUMEN	106	5747840366	1,791
LED 4000K 32W	3387	Aluminium Colour Texture	II	DOUBLE SYMM	WIRE TOP-MOUNTED	DPC: NIGHTDIM + CLO	3000 LUMEN	106	5747840845	1,791
LED 4000K 32W	3400	Aluminium Colour Texture	II	ROT5	SIDE-MOUNTED	DPC: NIGHTDIM + CLO	3000 LUMEN	106	5747840010	1,791
LED 4000K 32W	3400	Aluminium Colour Texture	II	ROT5	TOP-MOUNTED	DPC: NIGHTDIM + CLO	3000 LUMEN	106	5747840379	1,791

Light source	Lumen	Finish	Class	Light technique	Mounting	Lighting control	Plug	Efficacy	Order-no.	RRP €
LED 4000K 32W	3400	Aluminium Colour Texture	II	ROT5	WIRE TOP-MOUNTED	DPC: NIGHTDIM + CLO	3000 LUMEN	106	5747840858	1,791
LED 4000K 61W	6690	Aluminium Colour Texture	I	ASY2	SIDE-MOUNTED	2XZHAGA SR	6000 LUMEN	110	5747840272	2,295
LED 4000K 61W	6690	Aluminium Colour Texture	I	ASY2	TOP-MOUNTED	2XZHAGA SR	6000 LUMEN	110	5747840638	2,295
LED 4000K 61W	6690	Aluminium Colour Texture	I	ASY2	WIRE TOP-MOUNTED	2XZHAGA SR	6000 LUMEN	110	5747841116	2,295
LED 4000K 61W	6690	Aluminium Colour Texture	I	ASY2	SIDE-MOUNTED	DAC: DALI + CLO	6000 LUMEN	110	5747840162	2,089
LED 4000K 61W	6690	Aluminium Colour Texture	I	ASY2	TOP-MOUNTED	DAC: DALI + CLO	6000 LUMEN	110	5747840528	2,089
LED 4000K 61W	6690	Aluminium Colour Texture	I	ASY2	WIRE TOP-MOUNTED	DAC: DALI + CLO	6000 LUMEN	110	5747841006	2,089
LED 4000K 61W	6690	Aluminium Colour Texture	I	ASY2	SIDE-MOUNTED	ZHAGA SR	6000 LUMEN	110	5747840269	2,295
LED 4000K 61W	6690	Aluminium Colour Texture	I	ASY2	TOP-MOUNTED	ZHAGA SR	6000 LUMEN	110	5747840625	2,295
LED 4000K 61W	6690	Aluminium Colour Texture	I	ASY2	WIRE TOP-MOUNTED	ZHAGA SR	6000 LUMEN	110	5747841103	2,295
LED 4000K 61W	6488	Aluminium Colour Texture	I	ASYT3	SIDE-MOUNTED	DAC: DALI + CLO	6000 LUMEN	106	5747840188	2,089
LED 4000K 61W	6488	Aluminium Colour Texture	I	ASYT3	TOP-MOUNTED	DAC: DALI + CLO	6000 LUMEN	106	5747840544	2,089
LED 4000K 61W	6488	Aluminium Colour Texture	I	ASYT3	WIRE TOP-MOUNTED	DAC: DALI + CLO	6000 LUMEN	106	5747841022	2,089
LED 4000K 61W	6619	Aluminium Colour Texture	I	DOUBLE SYMM	SIDE-MOUNTED	DAC: DALI + CLO	6000 LUMEN	109	5747840191	2,089
LED 4000K 61W	6619	Aluminium Colour Texture	I	DOUBLE SYMM	TOP-MOUNTED	DAC: DALI + CLO	6000 LUMEN	109	5747840557	2,089
LED 4000K 61W	6619	Aluminium Colour Texture	I	DOUBLE SYMM	WIRE TOP-MOUNTED	DAC: DALI + CLO	6000 LUMEN	109	5747841035	2,089
LED 4000K 61W	6650	Aluminium Colour Texture	I	ROT5	SIDE-MOUNTED	DAC: DALI + CLO	6000 LUMEN	109	5747840201	2,089
LED 4000K 61W	6650	Aluminium Colour Texture	I	ROT5	TOP-MOUNTED	DAC: DALI + CLO	6000 LUMEN	109	5747840560	2,089
LED 4000K 61W	6650	Aluminium Colour Texture	I	ROT5	WIRE TOP-MOUNTED	DAC: DALI + CLO	6000 LUMEN	109	5747841048	2,089
LED 4000K 61W	6690	Aluminium Colour Texture	II	ASY2	SIDE-MOUNTED	DPC: NIGHTDIM + CLO	6000 LUMEN	110	5747840214	2,089
LED 4000K 61W	6690	Aluminium Colour Texture	II	ASY2	TOP-MOUNTED	DPC: NIGHTDIM + CLO	6000 LUMEN	110	5747840573	2,089
LED 4000K 61W	6690	Aluminium Colour Texture	II	ASY2	WIRE TOP-MOUNTED	DPC: NIGHTDIM + CLO	6000 LUMEN	110	5747841051	2,089
LED 4000K 61W	6488	Aluminium Colour Texture	II	ASYT3	SIDE-MOUNTED	DPC: NIGHTDIM + CLO	6000 LUMEN	106	5747840230	2,089
LED 4000K 61W	6488	Aluminium Colour Texture	II	ASYT3	TOP-MOUNTED	DPC: NIGHTDIM + CLO	6000 LUMEN	106	5747840599	2,089
LED 4000K 61W	6488	Aluminium Colour Texture	II	ASYT3	WIRE TOP-MOUNTED	DPC: NIGHTDIM + CLO	6000 LUMEN	106	5747841077	2,089
LED 4000K 61W	6619	Aluminium Colour Texture	II	DOUBLE SYMM	SIDE-MOUNTED	DPC: NIGHTDIM + CLO	6000 LUMEN	109	5747840243	2,089
LED 4000K 61W	6619	Aluminium Colour Texture	II	DOUBLE SYMM	TOP-MOUNTED	DPC: NIGHTDIM + CLO	6000 LUMEN	109	5747840609	2,089
LED 4000K 61W	6619	Aluminium Colour Texture	II	DOUBLE SYMM	WIRE TOP-MOUNTED	DPC: NIGHTDIM + CLO	6000 LUMEN	109	5747841080	2,089
LED 4000K 61W	6650	Aluminium Colour Texture	II	ROT5	SIDE-MOUNTED	DPC: NIGHTDIM + CLO	6000 LUMEN	109	5747840256	2,089
LED 4000K 61W	6650	Aluminium Colour Texture	II	ROT5	TOP-MOUNTED	DPC: NIGHTDIM + CLO	6000 LUMEN	109	5747840612	2,089
LED 4000K 61W	6650	Aluminium Colour Texture	II	ROT5	WIRE TOP-MOUNTED	DPC: NIGHTDIM + CLO	6000 LUMEN	109	5747841093	2,089
<b>Sparepart</b>										
Icon MINI glass clear									5747821974	188
Icon MINI glass w/silk-screen print									5747815207	216
ICON MINI, GLASS CLEAR NEW									5747820991	244
Icon MINI glass sandblasted									5747815223	262
ICON MINI/LP HINT CUT OFF LOUVRE									5747821961	282
Icon replacement kit LED-DPC 3K SYM									5747834181	531
Icon replacement kit LED-DPC 3K SYM II									5747834194	531
Icon replacement kit LED-DPC 4K SYM									5747834204	531
<b>Accessories</b>										
ICON MINI, PC, DIFFUSER F/TC-TEL W/PRINT									5747815993	284
LEDIL BACKLIGHT SHADE KIT ICON LI									5747407068	39
LEDIL BACKLIGHT SHADE KIT ICON HI									5747407071	51

Please contact Louis Poulsen for 2700K.

# LP Nest

## Post

**Design:** Bystrup Architects

**Concept:** The fixture emits an indirect, soft and symmetrical light. Reflections in the “lattice” create an attractive play of light within the fixture.

**Finish:** Aluminium coloured with textured surface or graphite with textured surface, powder coated.

**Material:** Frame/Louvre: High pressure moulded aluminium. Top shade: Spun aluminium. Reflector: Anodised aluminium. Enclosure: Clear glass.

**Mounting:** Pole dimension: Ø 115mm

Installation cable: 5m, 5x1mm<sup>2</sup> (Class I) or 5m, 4x1mm<sup>2</sup> (Class II).

Driver: Location in the post top.

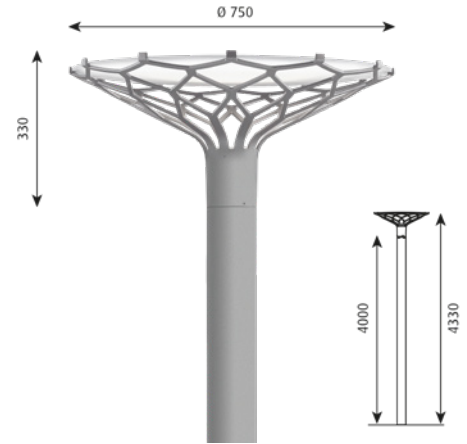
**Weight:** Max. 9.6kg.

**Class:** Ingress protection IP66. Electric shock protection I w. ground, II w/o ground. IK09.

**Info notes:** Poles must be ordered separately. Mounting for pole Ø 115. For LED replacement kit please do contact Louis Poulsen.

Dimming options CLO, and night time dimming (default setting: 50% power in 8 hours). All variants available with Zhaga socket for Smart City compatibility. Including CLO and night time dimming options. Driver: Location in the post top.

Please contact Louis Poulsen for 2700K and more info about supported Light Management Systems.



Light source	Lumen	Finish	Class	Lighting control	Efficacy	Order-no.	RRP €
LED 3000K 34W	2842	Aluminium Colour Texture	I	DAC: DALI + CLO	84	5747305490	2,293
LED 3000K 34W	2842	Aluminium Colour Texture	II	DPC: NIGHTDIM + CLO	84	5747305539	2,293
LED 3000K 34W	2607	Graphite Grey Texture	I	DAC: DALI + CLO	77	5747305500	2,293
LED 3000K 34W	2607	Graphite Grey Texture	II	DPC: NIGHTDIM + CLO	77	5747305542	2,293
LED 3000K/4000K 34W **		**	I/II	SR 2XZHAGA CT **		-	Contact LP
LED 4000K 34W	2915	Aluminium Colour Texture	I	DAC: DALI + CLO	86	5747305513	2,293
LED 4000K 34W	2915	Aluminium Colour Texture	II	DPC: NIGHTDIM + CLO	86	5747305555	2,293
LED 4000K 34W	2674	Graphite Grey Texture	I	DAC: DALI + CLO	79	5747305526	2,293
LED 4000K 34W	2674	Graphite Grey Texture	II	DPC: NIGHTDIM + CLO	79	5747305568	2,293
<b>Sparepart</b>							
LP Nest replacement kit LED 3K V3						5747305571	1,089
LP Nest replacement kit LED 4K V3						5747305584	1,089

\*\*Please specify upon ordering. All variants available with Zhaga socket for Smart City compatibility. Including CLO and night time dimming options.

Please contact Louis Poulsen for 2700K and more info about supported Light Management Systems.

# LP Xperi

## Post

Design: Christian Flindt

**Concept:** The fixture provides direct downward illumination and is self-illuminating. The fixture is available in two variants – round symmetrical and asymmetrical light distribution.

**Finish:** Aluminium coloured with textured surface, powder coated.

**Material:** Lower shade: Injection moulded clear polycarbonate. Housing die-cast aluminium.

**Mounting:** Pole dimension: Ø 60mm or Ø 76mm. Transition piece available for pole Ø 115mm. Installation cable: 9m 5x1,5mm<sup>2</sup> DAC (Class I), 9m 4x1,5mm<sup>2</sup> DAC (Class II), 9m 3x1,5mm<sup>2</sup> DPC (Class I), 9m 4x1,5mm<sup>2</sup> DPC (Class II). Terminal block: 1x5x2.5mm<sup>2</sup> (Class I) or 1x4x2.5mm<sup>2</sup> (Class II). Terminal block positioning: In fixture head. LED Driver: In fixture head.

**Weight:** Max. 7,1kg.

**Class:** Electric shock protection I w. ground, II w/o ground. IK class 10. IP class 66.

**Info notes:** LED replacement kit available. Dimming options: DALI, CLO, and night time dimming (default setting: 50% power in 8 hours). All variants available with Zhaga socket for Smart City compatibility. Including CLO and night time dimming options.

Please contact Louis Poulsen for 2700K and more info about supported Light Management Systems.



Light source	Lumen	Finish	Class	Light technique	Mounting	Lighting control	Efficacy	Order-no.	RRP €
LED 3000K 33W	3702	Aluminium Colour Texture	I	ASY2	SIDE-MOUNTED	LI DAC: DALI + CLO	112	5747306091	1,661
LED 3000K 33W	3702	Aluminium Colour Texture	I	ASY2	Ø 76 POLE	LI DAC: DALI + CLO	112	5747401022	1,515
LED 3000K 33W	3702	Aluminium Colour Texture	I	ASY2	Ø 60 POLE	LI DAC: DALI + CLO	112	5747401019	1,515
LED 3000K 33W	3653	Aluminium Colour Texture	I	ASY2 NO UPLIGHT	SIDE-MOUNTED	LI DAC: DALI + CLO	111	5747306253	1,694
LED 3000K 33W	3653	Aluminium Colour Texture	I	ASY2 NO UPLIGHT	Ø 60 POLE	LI DAC: DALI + CLO	111	5747401491	1,661
LED 3000K 33W	3653	Aluminium Colour Texture	I	ASY2 NO UPLIGHT	Ø 76 POLE	LI DAC: DALI + CLO	111	5747401501	1,661
LED 3000K 33W	3643	Aluminium Colour Texture	I	ASYD	SIDE-MOUNTED	LI DAC: DALI + CLO	110	5747306172	1,661
LED 3000K 33W	3643	Aluminium Colour Texture	I	ASYD	Ø 60 POLE	LI DAC: DALI + CLO	110	5747401255	1,515
LED 3000K 33W	3643	Aluminium Colour Texture	I	ASYD	Ø 76 POLE	LI DAC: DALI + CLO	110	5747401268	1,515
LED 3000K 33W	3625	Aluminium Colour Texture	I	ASYD NO UPLIGHT	SIDE-MOUNTED	LI DAC: DALI + CLO	110	5747306295	1,694
LED 3000K 33W	3625	Aluminium Colour Texture	I	ASYD NO UPLIGHT	Ø 60 POLE	LI DAC: DALI + CLO	110	5747401653	1,661
LED 3000K 33W	3625	Aluminium Colour Texture	I	ASYD NO UPLIGHT	Ø 76 POLE	LI DAC: DALI + CLO	110	5747401666	1,661
LED 3000K 33W	3598	Aluminium Colour Texture	I	ASYT3	Ø 60 POLE	LI DAC: DALI + CLO	109	5747406328	1,515
LED 3000K 33W	3598	Aluminium Colour Texture	I	ASYT3	Ø 76 POLE	LI DAC: DALI + CLO	109	5747406331	1,515
LED 3000K 33W	3567	Aluminium Colour Texture	I	ASYT3-N/UP	Ø 60 POLE	LI DAC: DALI + CLO	108	5747406409	1,661
LED 3000K 33W	3567	Aluminium Colour Texture	I	ASYT3-N/UP	Ø 76 POLE	LI DAC: DALI + CLO	108	5747406412	1,661
LED 3000K 33W	3702	Aluminium Colour Texture	II	ASY2	SIDE-MOUNTED	LI DPC: NIGHTDIM + CLO	112	5747306075	1,661
LED 3000K 33W	3702	Aluminium Colour Texture	II	ASY2	Ø 60 POLE	LI DPC: NIGHTDIM + CLO	112	5747400971	1,515
LED 3000K 33W	3702	Aluminium Colour Texture	II	ASY2	Ø 76 POLE	LI DPC: NIGHTDIM + CLO	112	5747400984	1,515
LED 3000K 33W	3653	Aluminium Colour Texture	II	ASY2 NO UPLIGHT	SIDE-MOUNTED	LI DPC: NIGHTDIM + CLO	111	5747306237	1,694
LED 3000K 33W	3653	Aluminium Colour Texture	II	ASY2 NO UPLIGHT	Ø 60 POLE	LI DPC: NIGHTDIM + CLO	111	5747401459	1,661
LED 3000K 33W	3653	Aluminium Colour Texture	II	ASY2 NO UPLIGHT	Ø 76 POLE	LI DPC: NIGHTDIM + CLO	111	5747401462	1,661
LED 3000K 33W	3643	Aluminium Colour Texture	II	ASYD	SIDE-MOUNTED	LI DPC: NIGHTDIM + CLO	110	5747306156	1,661
LED 3000K 33W	3643	Aluminium Colour Texture	II	ASYD	Ø 60 POLE	LI DPC: NIGHTDIM + CLO	110	5747401213	1,515
LED 3000K 33W	3643	Aluminium Colour Texture	II	ASYD	Ø 76 POLE	LI DPC: NIGHTDIM + CLO	110	5747401226	1,515
LED 3000K 33W	3625	Aluminium Colour Texture	II	ASYD NO UPLIGHT	SIDE-MOUNTED	LI DPC: NIGHTDIM + CLO	110	5747306279	1,694
LED 3000K 33W	3625	Aluminium Colour Texture	II	ASYD NO UPLIGHT	Ø 60 POLE	LI DPC: NIGHTDIM + CLO	110	5747401611	1,661
LED 3000K 33W	3625	Aluminium Colour Texture	II	ASYD NO UPLIGHT	Ø 76 POLE	LI DPC: NIGHTDIM + CLO	110	5747401624	1,661
LED 3000K 33W	3598	Aluminium Colour Texture	II	ASYT3	Ø 60 POLE	LI DPC: NIGHTDIM + CLO	109	5747406302	1,515
LED 3000K 33W	3598	Aluminium Colour Texture	II	ASYT3	Ø 76 POLE	LI DPC: NIGHTDIM + CLO	109	5747406315	1,515
LED 3000K 33W	3567	Aluminium Colour Texture	II	ASYT3-N/UP	Ø 60 POLE	LI DPC: NIGHTDIM + CLO	108	5747406386	1,661

Light source	Lumen	Finish	Class	Light technique	Mounting	Lighting control	Efficacy	Order-no.	RRP €
LED 3000K 33W	3567	Aluminium Colour Texture	II	ASYT3-N/UP	Ø 76 POLE	LI DPC: NIGHTDIM + CLO	108	5747406399	1,661
LED 3000K 66W	6742	Aluminium Colour Texture	I	ASY2	SIDE-MOUNTED	HI DAC: DALI + CLO	102	5747306130	1,661
LED 3000K 66W	6742	Aluminium Colour Texture	I	ASY2	Ø 60 POLE	HI DAC: DALI + CLO	102	5747401093	1,515
LED 3000K 66W	6742	Aluminium Colour Texture	I	ASY2	Ø 76 POLE	HI DAC: DALI + CLO	102	5747401103	1,515
LED 3000K 66W	6709	Aluminium Colour Texture	I	ASY2 NO UPLIGHT	SIDE-MOUNTED	HI DAC: DALI + CLO	102	5747306334	1,694
LED 3000K 66W	6709	Aluminium Colour Texture	I	ASY2 NO UPLIGHT	Ø 60 POLE	HI DAC: DALI + CLO	102	5747401734	1,661
LED 3000K 66W	6709	Aluminium Colour Texture	I	ASY2 NO UPLIGHT	Ø 76 POLE	HI DAC: DALI + CLO	102	5747401747	1,661
LED 3000K 66W	6603	Aluminium Colour Texture	I	ASYD	SIDE-MOUNTED	HI DAC: DALI + CLO	100	5747306211	1,661
LED 3000K 66W	6603	Aluminium Colour Texture	I	ASYD	Ø 60 POLE	HI DAC: DALI + CLO	100	5747401417	1,515
LED 3000K 66W	6603	Aluminium Colour Texture	I	ASYD	Ø 76 POLE	HI DAC: DALI + CLO	100	5747401420	1,515
LED 3000K 66W	6603	Aluminium Colour Texture	I	ASYD NO UPLIGHT	SIDE-MOUNTED	HI DAC: DALI + CLO	100	5747306392	1,694
LED 3000K 66W	6566	Aluminium Colour Texture	I	ASYD NO UPLIGHT	Ø 60 POLE	HI DAC: DALI + CLO	99	5747401899	1,661
LED 3000K 66W	6566	Aluminium Colour Texture	I	ASYD NO UPLIGHT	Ø 76 POLE	HI DAC: DALI + CLO	99	5747401909	1,661
LED 3000K 66W	6563	Aluminium Colour Texture	I	ASYT3	Ø 60 POLE	HI DAC: DALI + CLO	99	5747406360	1,515
LED 3000K 66W	6563	Aluminium Colour Texture	I	ASYT3	Ø 76 POLE	HI DAC: DALI + CLO	99	5747406373	1,515
LED 3000K 66W	6512	Aluminium Colour Texture	I	ASYT3-N/UP	Ø 60 POLE	HI DAC: DALI + CLO	99	5747406441	1,661
LED 3000K 66W	6512	Aluminium Colour Texture	I	ASYT3-N/UP	Ø 76 POLE	HI DAC: DALI + CLO	99	5747406454	1,661
LED 3000K 66W	6742	Aluminium Colour Texture	II	ASY2	SIDE-MOUNTED	HI DPC: NIGHTDIM + CLO	102	5747306114	1,661
LED 3000K 66W	6742	Aluminium Colour Texture	II	ASY2	Ø 60 POLE	HI DPC: NIGHTDIM + CLO	102	5747401051	1,515
LED 3000K 66W	6742	Aluminium Colour Texture	II	ASY2	Ø 76 POLE	HI DPC: NIGHTDIM + CLO	102	5747401064	1,515
LED 3000K 66W	6709	Aluminium Colour Texture	II	ASY2 NO UPLIGHT	SIDE-MOUNTED	HI DPC: NIGHTDIM + CLO	102	5747306318	1,694
LED 3000K 66W	6709	Aluminium Colour Texture	II	ASY2 NO UPLIGHT	Ø 60 POLE	HI DPC: NIGHTDIM + CLO	102	5747401695	1,661
LED 3000K 66W	6709	Aluminium Colour Texture	II	ASY2 NO UPLIGHT	Ø 76 POLE	HI DPC: NIGHTDIM + CLO	102	5747401705	1,661
LED 3000K 66W	6603	Aluminium Colour Texture	II	ASYD	SIDE-MOUNTED	HI DPC: NIGHTDIM + CLO	100	5747306198	1,661
LED 3000K 66W	6603	Aluminium Colour Texture	II	ASYD	Ø 60 POLE	HI DPC: NIGHTDIM + CLO	100	5747401378	1,515
LED 3000K 66W	6603	Aluminium Colour Texture	II	ASYD	Ø 76 POLE	HI DPC: NIGHTDIM + CLO	100	5747401381	1,515
LED 3000K 66W	6603	Aluminium Colour Texture	II	ASYD NO UPLIGHT	SIDE-MOUNTED	HI DPC: NIGHTDIM + CLO	100	5747306376	1,694
LED 3000K 66W	6566	Aluminium Colour Texture	II	ASYD NO UPLIGHT	Ø 60 POLE	HI DPC: NIGHTDIM + CLO	99	5747401857	1,661
LED 3000K 66W	6566	Aluminium Colour Texture	II	ASYD NO UPLIGHT	Ø 76 POLE	HI DPC: NIGHTDIM + CLO	99	5747401860	1,661
LED 3000K 66W	6563	Aluminium Colour Texture	II	ASYT3	Ø 60 POLE	HI DPC: NIGHTDIM + CLO	99	5747406344	1,515
LED 3000K 66W	6563	Aluminium Colour Texture	II	ASYT3	Ø 76 POLE	HI DPC: NIGHTDIM + CLO	99	5747406357	1,515
LED 3000K 66W	6563	Aluminium Colour Texture	II	ASYT3-N/UP	SIDE-MOUNTED	HI DPC: NIGHTDIM + CLO	99	5747306350	1,694
LED 3000K 66W	6512	Aluminium Colour Texture	II	ASYT3-N/UP	Ø 60 POLE	HI DPC: NIGHTDIM + CLO	99	5747406425	1,661
LED 3000K 66W	6512	Aluminium Colour Texture	II	ASYT3-N/UP	Ø 76 POLE	HI DPC: NIGHTDIM + CLO	99	5747406438	1,661
LED 3000K/4000K 33W		Aluminium Colour Texture	I/II	_**	_**	SR ZHAGA CT **	-	-	Contact LP
LED 3000K/4000K 66W		Aluminium Colour Texture	I/II	_**	_**	SR ZHAGA CT **	-	-	Contact LP
LED 4000K 33W	3830	Aluminium Colour Texture	I	ASY2	SIDE-MOUNTED	LI DAC: DALI + CLO	116	5747306101	1,661
LED 4000K 33W	3830	Aluminium Colour Texture	I	ASY2	Ø 60 POLE	LI DAC: DALI + CLO	116	5747401035	1,515
LED 4000K 33W	3830	Aluminium Colour Texture	I	ASY2	Ø 76 POLE	LI DAC: DALI + CLO	116	5747401048	1,515
LED 4000K 33W	3779	Aluminium Colour Texture	I	ASY2 NO UPLIGHT	SIDE-MOUNTED	LI DAC: DALI + CLO	115	5747306266	1,694
LED 4000K 33W	3779	Aluminium Colour Texture	I	ASY2 NO UPLIGHT	Ø 60 POLE	LI DAC: DALI + CLO	115	5747401514	1,661
LED 4000K 33W	3779	Aluminium Colour Texture	I	ASY2 NO UPLIGHT	Ø 76 POLE	LI DAC: DALI + CLO	115	5747401527	1,661
LED 4000K 33W	3769	Aluminium Colour Texture	I	ASYD	SIDE-MOUNTED	LI DAC: DALI + CLO	114	5747306185	1,661
LED 4000K 33W	3769	Aluminium Colour Texture	I	ASYD	Ø 60 POLE	LI DAC: DALI + CLO	114	5747401271	1,515
LED 4000K 33W	3769	Aluminium Colour Texture	I	ASYD	Ø 76 POLE	LI DAC: DALI + CLO	114	5747401284	1,515
LED 4000K 33W	3750	Aluminium Colour Texture	I	ASYD NO UPLIGHT	SIDE-MOUNTED	LI DAC: DALI + CLO	114	5747306305	1,694
LED 4000K 33W	3750	Aluminium Colour Texture	I	ASYD NO UPLIGHT	Ø 60 POLE	LI DAC: DALI + CLO	114	5747401679	1,661
LED 4000K 33W	3750	Aluminium Colour Texture	I	ASYD NO UPLIGHT	Ø 76 POLE	LI DAC: DALI + CLO	114	5747401682	1,661
LED 4000K 33W	3723	Aluminium Colour Texture	I	ASYT3	Ø 60 POLE	LI DAC: DALI + CLO	113	5747406483	1,515
LED 4000K 33W	3723	Aluminium Colour Texture	I	ASYT3	Ø 76 POLE	LI DAC: DALI + CLO	113	5747406496	1,515
LED 4000K 33W	3690	Aluminium Colour Texture	I	ASYT3-N/UP	Ø 60 POLE	LI DAC: DALI + CLO	112	5747406564	1,661
LED 4000K 33W	3690	Aluminium Colour Texture	I	ASYT3-N/UP	Ø 76 POLE	LI DAC: DALI + CLO	112	5747406577	1,661
LED 4000K 33W	3830	Aluminium Colour Texture	II	ASY2	SIDE-MOUNTED	LI DPC: NIGHTDIM + CLO	116	5747306088	1,661
LED 4000K 33W	3830	Aluminium Colour Texture	II	ASY2	Ø 60 POLE	LI DPC: NIGHTDIM + CLO	116	5747400997	1,515
LED 4000K 33W	3830	Aluminium Colour Texture	II	ASY2	Ø 76 POLE	LI DPC: NIGHTDIM + CLO	116	5747401006	1,515
LED 4000K 33W	3779	Aluminium Colour Texture	II	ASY2 NO UPLIGHT	SIDE-MOUNTED	LI DPC: NIGHTDIM + CLO	115	5747306240	1,694
LED 4000K 33W	3779	Aluminium Colour Texture	II	ASY2 NO UPLIGHT	Ø 60 POLE	LI DPC: NIGHTDIM + CLO	115	5747401475	1,661
LED 4000K 33W	3779	Aluminium Colour Texture	II	ASY2 NO UPLIGHT	Ø 76 POLE	LI DPC: NIGHTDIM + CLO	115	5747401488	1,661
LED 4000K 33W	3769	Aluminium Colour Texture	II	ASYD	SIDE-MOUNTED	LI DPC: NIGHTDIM + CLO	114	5747306169	1,661
LED 4000K 33W	3769	Aluminium Colour Texture	II	ASYD	Ø 60 POLE	LI DPC: NIGHTDIM + CLO	114	5747401239	1,515
LED 4000K 33W	3769	Aluminium Colour Texture	II	ASYD	Ø 76 POLE	LI DPC: NIGHTDIM + CLO	114	5747401242	1,515
LED 4000K 33W	3750	Aluminium Colour Texture	II	ASYD NO UPLIGHT	SIDE-MOUNTED	LI DPC: NIGHTDIM + CLO	114	5747306282	1,694
LED 4000K 33W	3750	Aluminium Colour Texture	II	ASYD NO UPLIGHT	Ø 60 POLE	LI DPC: NIGHTDIM + CLO	114	5747401637	1,661
LED 4000K 33W	3750	Aluminium Colour Texture	II	ASYD NO UPLIGHT	Ø 76 POLE	LI DPC: NIGHTDIM + CLO	114	5747401640	1,661

Light source	Lumen	Finish	Class	Light technique	Mounting	Lighting control	Efficacy	Order-no.	RRP €
LED 4000K 33W	3723	Aluminium Colour Texture	II	ASYT3	Ø 60 POLE	LI DPC: NIGHTDIM + CLO	113	5747406467	1,515
LED 4000K 33W	3723	Aluminium Colour Texture	II	ASYT3	Ø 76 POLE	LI DPC: NIGHTDIM + CLO	113	5747406470	1,515
LED 4000K 33W	3690	Aluminium Colour Texture	II	ASYT3-N/UP	Ø 60 POLE	LI DPC: NIGHTDIM + CLO	112	5747406548	1,661
LED 4000K 33W	3690	Aluminium Colour Texture	II	ASYT3-N/UP	Ø 76 POLE	LI DPC: NIGHTDIM + CLO	112	5747406551	1,661
LED 4000K 66W	6975	Aluminium Colour Texture	I	ASY2	SIDE-MOUNTED	HI DAC: DALI + CLO	106	5747306143	1,661
LED 4000K 66W	6975	Aluminium Colour Texture	I	ASY2	Ø 60 POLE	HI DAC: DALI + CLO	106	5747401116	1,515
LED 4000K 66W	6975	Aluminium Colour Texture	I	ASY2	Ø 76 POLE	HI DAC: DALI + CLO	106	5747401129	1,515
LED 4000K 66W	6942	Aluminium Colour Texture	I	ASY2 NO UPLIGHT	SIDE-MOUNTED	HI DAC: DALI + CLO	105	5747306347	1,694
LED 4000K 66W	6942	Aluminium Colour Texture	I	ASY2 NO UPLIGHT	Ø 60 POLE	HI DAC: DALI + CLO	105	5747401750	1,661
LED 4000K 66W	6942	Aluminium Colour Texture	I	ASY2 NO UPLIGHT	Ø 76 POLE	HI DAC: DALI + CLO	105	5747401763	1,661
LED 4000K 66W	6832	Aluminium Colour Texture	I	ASYD	SIDE-MOUNTED	HI DAC: DALI + CLO	104	5747306224	1,661
LED 4000K 66W	6832	Aluminium Colour Texture	I	ASYD	Ø 60 POLE	HI DAC: DALI + CLO	104	5747401433	1,515
LED 4000K 66W	6832	Aluminium Colour Texture	I	ASYD	Ø 76 POLE	HI DAC: DALI + CLO	104	5747401446	1,515
LED 4000K 66W	6793	Aluminium Colour Texture	I	ASYD NO UPLIGHT	Ø 60 POLE	HI DAC: DALI + CLO	103	5747401912	1,661
LED 4000K 66W	6793	Aluminium Colour Texture	I	ASYD NO UPLIGHT	Ø 76 POLE	HI DAC: DALI + CLO	103	5747401925	1,661
LED 4000K 66W	6832	Aluminium Colour Texture	I	ASYD NO UPLIGHT	SIDE-MOUNTED	HI DAC: DALI + CLO	104	5747306402	1,694
LED 4000K 66W	6790	Aluminium Colour Texture	I	ASYT3	Ø 60 POLE	HI DAC: DALI + CLO	103	5747406522	1,515
LED 4000K 66W	6790	Aluminium Colour Texture	I	ASYT3	Ø 76 POLE	HI DAC: DALI + CLO	103	5747406535	1,515
LED 4000K 66W	6737	Aluminium Colour Texture	I	ASYT3-N/UP	Ø 60 POLE	HI DAC: DALI + CLO	102	5747406603	1,661
LED 4000K 66W	6737	Aluminium Colour Texture	I	ASYT3-N/UP	Ø 76 POLE	HI DAC: DALI + CLO	102	5747406616	1,661
LED 4000K 66W	6975	Aluminium Colour Texture	II	ASY2	SIDE-MOUNTED	HI DPC: NIGHTDIM + CLO	106	5747306127	1,661
LED 4000K 66W	6975	Aluminium Colour Texture	II	ASY2	Ø 60 POLE	HI DPC: NIGHTDIM + CLO	106	5747401077	1,515
LED 4000K 66W	6975	Aluminium Colour Texture	II	ASY2	Ø 76 POLE	HI DPC: NIGHTDIM + CLO	106	5747401080	1,515
LED 4000K 66W	6942	Aluminium Colour Texture	II	ASY2 NO UPLIGHT	SIDE-MOUNTED	HI DPC: NIGHTDIM + CLO	105	5747306321	1,694
LED 4000K 66W	6942	Aluminium Colour Texture	II	ASY2 NO UPLIGHT	Ø 60 POLE	HI DPC: NIGHTDIM + CLO	105	5747401718	1,661
LED 4000K 66W	6942	Aluminium Colour Texture	II	ASY2 NO UPLIGHT	Ø 76 POLE	HI DPC: NIGHTDIM + CLO	105	5747401721	1,661
LED 4000K 66W	6832	Aluminium Colour Texture	II	ASYD	SIDE-MOUNTED	HI DPC: NIGHTDIM + CLO	104	5747306208	1,661
LED 4000K 66W	6832	Aluminium Colour Texture	II	ASYD	Ø 60 POLE	HI DPC: NIGHTDIM + CLO	104	5747401394	1,515
LED 4000K 66W	6832	Aluminium Colour Texture	II	ASYD	Ø 76 POLE	HI DPC: NIGHTDIM + CLO	104	5747401404	1,515
LED 4000K 66W	6793	Aluminium Colour Texture	II	ASYD NO UPLIGHT	Ø 60 POLE	HI DPC: NIGHTDIM + CLO	103	5747401873	1,661
LED 4000K 66W	6793	Aluminium Colour Texture	II	ASYD NO UPLIGHT	Ø 76 POLE	HI DPC: NIGHTDIM + CLO	103	5747401886	1,661
LED 4000K 66W	6832	Aluminium Colour Texture	II	ASYD NO UPLIGHT	SIDE-MOUNTED	HI DPC: NIGHTDIM + CLO	104	5747306389	1,694
LED 4000K 66W	6790	Aluminium Colour Texture	II	ASYT3	Ø 60 POLE	HI DPC: NIGHTDIM + CLO	103	5747406506	1,515
LED 4000K 66W	6790	Aluminium Colour Texture	II	ASYT3	Ø 76 POLE	HI DPC: NIGHTDIM + CLO	103	5747406519	1,515
LED 4000K 66W	6737	Aluminium Colour Texture	II	ASYT3-N/UP	Ø 60 POLE	HI DPC: NIGHTDIM + CLO	102	5747406580	1,661
LED 4000K 66W	6737	Aluminium Colour Texture	II	ASYT3-N/UP	Ø 76 POLE	HI DPC: NIGHTDIM + CLO	102	5747406593	1,661
LED 4000K 66W	6790	Aluminium Colour Texture	II	ASYT3-N/UP	SIDE-MOUNTED	HI DPC: NIGHTDIM + CLO	103	5747306363	1,694
<b>Sparepart</b>									
Xperi replacement kit LED set 3K PHL								5747401941	287
Xperi replacement kit LED set 4K PHL								5747401954	287
Xperi replacement kit SET LED 3K 3PL								5747401996	287
Xperi replacement kit SET LED 4K 3PL								5747402005	287
<b>Accessories</b>									
TRANS.PIECE POLE Ø114/76 GALV								5747826872	321
TRANS.PIECE F/POLE Ø114/60 GALV								5747826885	321
XPERI TOP SHIELD N/UP KIT								5747401938	422

**\*\*Please specify upon ordering. All variants available with Zhaga socket for Smart City compatibility. Including CLO and night time dimming options.**

**Please contact Louis Poulsen for 2700K and more info about supported Light Management Systems.**



# Toldbod 290 Post

## Post

**Design:** Louis Poulsen A/S

**Concept:** The light is directed 100% downwards and the shade has a matt white painted interior emitting a soft, diffused, comfortable light.

**Finish:** Aluminium coloured with textured surface or black with textured surface, powder coated.

**Material:** Fixture head: Die cast aluminium. Shield: Injection moulded clear polycarbonate. Pole top: Galvanized, steel.

**Mounting:** Pole dimension: Ø 48mm or Ø 60mm. Installation cable: 3,5m 2x1mm<sup>2</sup> (-DPC Cl.II), 3,5m 3x1mm<sup>2</sup> (-DPC Cl.I), 3,5m 4x1mm<sup>2</sup> (-DAC Cl.II), 3,5m 5x1mm<sup>2</sup> (-DAC Cl.I). Driver: In fixture head.

**Weight:** Max. 8.1kg.

**Class:** Ingress protection IP65. Electric shock protection I w. ground, II w/o ground. IK08.

**Info notes:** Fixture heads without pole are available for Ø 48mm or Ø 60mm poles. For fixture complete with Ø 60mm pole: choose "for Ø 48mm pole" (pole stub); outer pole dimension is Ø 60mm. Please note that for the aluminium coloured version both the pole top, arm and the pole itself are galvanized. Galvanized surfaces will oxidise and form a thin zinc-oxide layer on the surface over time. This can result in an inconsistent surface finish during oxidation. This process might have begun already during stocking/transportation. The formed zinc-oxide layer protects the galvanizing against additional corrosion. All variants available with Zhaga socket for Smart City compatibility. Including CLO and night time dimming options. LED Upgrade Kit available for updating conventional variants to LED variants.

Please contact Louis Poulsen for 2700K.



Light source	Lumen	Finish	Class	Arm type	Mounting	Lighting control	Efficacy	Order-no.	RRP €
LED 3000K 20W	1928	Aluminium Colour Texture	I	GALVANIZED	Ø 60 POLE	DAC: DALI + CLO	96	5747811599	1,721
LED 3000K 20W	1928	Aluminium Colour Texture	I	GALVANIZED	Ø 48 POLE	DAC: DALI + CLO	96	5747811515	1,721
LED 3000K 20W	1928	Aluminium Colour Texture	II	GALVANIZED	Ø 48 POLE	DPC: NIGHTDIM + CLO	96	5747811557	1,721
LED 3000K 20W	1928	Aluminium Colour Texture	II	GALVANIZED	Ø 60 POLE	DPC: NIGHTDIM + CLO	96	5747811638	1,721
LED 3000K 20W	1928	Black Texture	I	PAINTED	Ø 48 POLE	DAC: DALI + CLO	96	5747811531	1,721
LED 3000K 20W	1928	Black Texture	I	PAINTED	Ø 60 POLE	DAC: DALI + CLO	96	5747811612	1,721
LED 3000K 20W	1928	Black Texture	II	PAINTED	Ø 48 POLE	DPC: NIGHTDIM + CLO	96	5747811573	1,721
LED 3000K 20W	1928	Black Texture	II	PAINTED	Ø 60 POLE	DPC: NIGHTDIM + CLO	96	5747811654	1,721
LED 3000K/4000K 20W	-**	-**	I/II	-**	-**	SR ZHAGA CT **	-	-	Contact LP
LED 4000K 20W	1988	Aluminium Colour Texture	I	GALVANIZED	Ø 48 POLE	DAC: DALI + CLO	99	5747811528	1,721
LED 4000K 20W	1988	Aluminium Colour Texture	I	GALVANIZED	Ø 60 POLE	DAC: DALI + CLO	99	5747811609	1,721
LED 4000K 20W	1988	Aluminium Colour Texture	II	GALVANIZED	Ø 48 POLE	DPC: NIGHTDIM + CLO	99	5747811560	1,721
LED 4000K 20W	1988	Aluminium Colour Texture	II	GALVANIZED	Ø 60 POLE	DPC: NIGHTDIM + CLO	99	5747811641	1,721
LED 4000K 20W	1988	Black Texture	I	PAINTED	Ø 48 POLE	DAC: DALI + CLO	99	5747811544	1,721
LED 4000K 20W	1988	Black Texture	I	PAINTED	Ø 60 POLE	DAC: DALI + CLO	99	5747811625	1,721
LED 4000K 20W	1988	Black Texture	II	PAINTED	Ø 48 POLE	DPC: NIGHTDIM + CLO	99	5747811586	1,721
LED 4000K 20W	1988	Black Texture	II	PAINTED	Ø 60 POLE	DPC: NIGHTDIM + CLO	99	5747811667	1,721
<b>Sparepart</b>									
Toldbod 290 diffuser								5747305050	133
<b>Accessories</b>									
TOLDBOD POLE, H2700 Ø60/Ø48 HATCH, GALV								5710500112	1,416
TOLDBOD POLE 2700/CC160 60/48 HATCH GALV								5747826827	1,601
TOLDBOD POLE, H2700 Ø60/Ø48 HATCH, BLACK								5747827033	1,601
TOLDB POLE H2700/CC160 Ø60/48 HATCH BLK								5747827046	1,862

\*\*Please specify upon ordering. All variants available with Zhaga socket for Smart City compatibility. Including CLO and night time dimming options.

Please contact Louis Poulsen for 2700K.

# Albertslund Maxi LED Upgrade Kit

## LED Upgrade kit

Design: Jens Møller-Jensen

**Concept:** The fixture emits light directed downwards. The fixture emits symmetrical glare-free light directed downwards. The top shade helps direct the light downwards and prevent light from being emitted upwards. The white painted reflectors result in diffused and comfortable light distribution. The reflector ring protects against direct glare. The LED-upgrade kit (also referred to as LED Retrofit kit) allows you to replace the old electrical components, console and lower reflector with a complete modern new unit, while retaining the original fixture.

**Finish:** Aluminium coloured with textured surface, graphite with textured surface or grey, powder coated.

**Material:** Heat sink/fixture housing: Die-cast aluminium. Console: Die-cast aluminium. Struts: Stainless steel.

**Mounting:** LED Upgrade kit available for upgrading Albertslund with CFL light sources produced from 2005 and onwards. Installation cable: 5m, 3x1.5mm<sup>2</sup> (Class I) or 5m, 2x1.5mm<sup>2</sup> (Class II). Looping: Approved. Delivered with outdoor LED driver with transient protection. LED driver in fixture head. Cable to be mounted in fuse box (not included).

**Weight:** Max. 7.2 kg.

**Class:** Ingress protection IP66. Electric shock protection I w. ground, II w/o ground. IK10.

**Info notes:** LED Upgrade kit available for upgrading Albertslund with CFL light sources produced from 2005 and up to previous LED variants. Dimming options available: DALI, CLO, and night time dimming (default setting: 50% power in 8 hours).



Light source	Lumen	Finish	Class	Light technique	Lighting control	Efficacy	Order-no.	RRP €
LED 3000K 29W	2473	Aluminium Colour Texture	I	2400 LUMEN	DAC: DALI + CLO	85	5747838954	1,174
LED 3000K 29W	2473	Aluminium Colour Texture	II	2400 LUMEN	DPC: NIGHTDIM + CLO	85	5747838776	1,174
LED 3000K 29W	2473	Graphite Grey Texture	I	2400 LUMEN	DAC: DALI + CLO	85	5747838967	1,174
LED 3000K 29W	2473	Graphite Grey Texture	II	2400 LUMEN	DPC: NIGHTDIM + CLO	85	5747838789	1,174
LED 3000K 29W	2473	Grey	I	2400 LUMEN	DAC: DALI + CLO	85	5747838970	1,174
LED 3000K 29W	2473	Grey	II	2400 LUMEN	DPC: NIGHTDIM + CLO	85	5747838792	1,174
LED 3000K 42W	3581	Aluminium Colour Texture	I	3600 LUMEN	DAC: DALI + CLO	85	5747839018	1,174
LED 3000K 42W	3581	Aluminium Colour Texture	II	3600 LUMEN	DPC: NIGHTDIM + CLO	85	5747838831	1,174
LED 3000K 42W	3581	Graphite Grey Texture	I	3600 LUMEN	DAC: DALI + CLO	85	5747839021	1,174
LED 3000K 42W	3581	Graphite Grey Texture	II	3600 LUMEN	DPC: NIGHTDIM + CLO	85	5747838844	1,174
LED 3000K 42W	3581	Grey	I	3600 LUMEN	DAC: DALI + CLO	85	5747839034	1,174
LED 3000K 42W	3581	Grey	II	3600 LUMEN	DPC: NIGHTDIM + CLO	85	5747838857	1,174
LED 3000K 55W	4814	Aluminium Colour Texture	I	5000 LUMEN	DAC: DALI + CLO	88	5747839076	1,174
LED 3000K 55W	4814	Aluminium Colour Texture	II	5000 LUMEN	DPC: NIGHTDIM + CLO	88	5747838899	1,174
LED 3000K 55W	4814	Graphite Grey Texture	I	5000 LUMEN	DAC: DALI + CLO	88	5747839089	1,174
LED 3000K 55W	4814	Graphite Grey Texture	II	5000 LUMEN	DPC: NIGHTDIM + CLO	88	5747838909	1,174
LED 3000K 55W	4814	Grey	I	5000 LUMEN	DAC: DALI + CLO	88	5747839092	1,174
LED 3000K 55W	4814	Grey	II	5000 LUMEN	DPC: NIGHTDIM + CLO	88	5747838912	1,174
LED 4000K 29W	2537	Aluminium Colour Texture	I	2400 LUMEN	DAC: DALI + CLO	87	5747838983	1,174
LED 4000K 29W	2537	Aluminium Colour Texture	II	2400 LUMEN	DPC: NIGHTDIM + CLO	87	5747838802	1,174
LED 4000K 29W	2537	Graphite Grey Texture	I	2400 LUMEN	DAC: DALI + CLO	87	5747838996	1,174
LED 4000K 29W	2537	Graphite Grey Texture	II	2400 LUMEN	DPC: NIGHTDIM + CLO	87	5747838815	1,174
LED 4000K 29W	2537	Grey	I	2400 LUMEN	DAC: DALI + CLO	87	5747839005	1,174
LED 4000K 29W	2537	Grey	II	2400 LUMEN	DPC: NIGHTDIM + CLO	87	5747838828	1,174
LED 4000K 42W	3674	Aluminium Colour Texture	I	3600 LUMEN	DAC: DALI + CLO	87	5747839047	1,174
LED 4000K 42W	3674	Aluminium Colour Texture	II	3600 LUMEN	DPC: NIGHTDIM + CLO	87	5747838860	1,174
LED 4000K 42W	3674	Graphite Grey Texture	I	3600 LUMEN	DAC: DALI + CLO	87	5747839050	1,174
LED 4000K 42W	3674	Graphite Grey Texture	II	3600 LUMEN	DPC: NIGHTDIM + CLO	87	5747838873	1,174
LED 4000K 42W	3674	Grey	I	3600 LUMEN	DAC: DALI + CLO	87	5747839063	1,174
LED 4000K 42W	3674	Grey	II	3600 LUMEN	DPC: NIGHTDIM + CLO	87	5747838886	1,174

Light source	Lumen	Finish	Class	Light technique	Lighting control	Efficacy	Order-no.	RRP €
LED 4000K 55W	4939	Aluminium Colour Texture	I	5000 LUMEN	DAC: DALI + CLO	90	5747839102	1,174
LED 4000K 55W	4939	Aluminium Colour Texture	II	5000 LUMEN	DPC: NIGHTDIM + CLO	90	5747838925	1,174
LED 4000K 55W	4939	Graphite Grey Texture	I	5000 LUMEN	DAC: DALI + CLO	90	5747839115	1,174
LED 4000K 55W	4939	Graphite Grey Texture	II	5000 LUMEN	DPC: NIGHTDIM + CLO	90	5747838938	1,174
LED 4000K 55W	4939	Grey	I	5000 LUMEN	DAC: DALI + CLO	90	5747839128	1,174
LED 4000K 55W	4939	Grey	II	5000 LUMEN	DPC: NIGHTDIM + CLO	90	5747838941	1,174

# Albertslund Mini LED Upgrade Kit

## LED Upgrade kit

Design: Jens Møller-Jensen

**Concept:** The fixture emits light directed downwards. The fixture emits symmetrical glare-free light directed downwards. The top shade helps direct the light downwards and prevent light from being emitted upwards. The white painted reflectors result in diffused and comfortable light distribution. The reflector ring protects against direct glare. The LED-upgrade kit (also referred to as LED Retrofit kit) allows you to replace the old electrical components, console and lower reflector with a complete modern new unit, while retaining the original fixture.

**Finish:** Aluminium coloured with textured surface, graphite with textured surface or grey, powder coated.

**Material:** Heat sink/fixture housing: Die-cast aluminium. Console: Die-cast aluminium. Struts: Stainless steel.

**Mounting:** LED Upgrade kit available for upgrading Albertslund with CFL light sources produced from 2005 and onwards. Installation cable: 4m, 3x1.5mm<sup>2</sup> (Class I) or 4m, 2x1.5mm<sup>2</sup> (Class II). Looping: Approved. Delivered with outdoor LED driver with transient protection. LED driver in fixture head. Cable to be mounted in fuse box (not included).

**Weight:** Max. 4.8 kg.

**Class:** Ingress protection IP66. Electric shock protection I w. ground, II w/o ground. IK10.

**Info notes:** LED Upgrade kit available for upgrading Albertslund with CFL light sources produced from 2005 and onwards. Dimming options available: DALI, CLO, and night time dimming (default setting: 50% power in 8 hours).



Light source	Lumen	Finish	Class	Light technique	Lighting control	Efficacy	Order-no.	RRP €
LED 3000K 14W	1213	Aluminium Colour Texture	I	1200 LUMEN	DAC: DALI + CLO	87	5747839432	1,016
LED 3000K 14W	1213	Aluminium Colour Texture	II	1200 LUMEN	DPC: NIGHTDIM + CLO	87	5747839254	1,016
LED 3000K 14W	1213	Graphite Grey Texture	I	1200 LUMEN	DAC: DALI + CLO	87	5747839445	1,016
LED 3000K 14W	1213	Graphite Grey Texture	II	1200 LUMEN	DPC: NIGHTDIM + CLO	87	5747839267	1,016
LED 3000K 14W	1213	Grey	I	1200 LUMEN	DAC: DALI + CLO	87	5747839458	1,016
LED 3000K 14W	1213	Grey	II	1200 LUMEN	DPC: NIGHTDIM + CLO	87	5747839270	1,016
LED 3000K 22W	1892	Aluminium Colour Texture	I	1900 LUMEN	DAC: DALI + CLO	86	5747839490	1,016
LED 3000K 22W	1892	Aluminium Colour Texture	II	1900 LUMEN	DPC: NIGHTDIM + CLO	86	5747839319	1,016
LED 3000K 22W	1892	Graphite Grey Texture	I	1900 LUMEN	DAC: DALI + CLO	86	5747839500	1,016
LED 3000K 22W	1892	Graphite Grey Texture	II	1900 LUMEN	DPC: NIGHTDIM + CLO	86	5747839322	1,016
LED 3000K 22W	1892	Grey	I	1900 LUMEN	DAC: DALI + CLO	86	5747839513	1,016
LED 3000K 22W	1892	Grey	II	1900 LUMEN	DPC: NIGHTDIM + CLO	86	5747839335	1,016
LED 3000K 34W	2915	Aluminium Colour Texture	I	2900 LUMEN	DAC: DALI + CLO	86	5747839555	1,016
LED 3000K 34W	2915	Aluminium Colour Texture	II	2900 LUMEN	DPC: NIGHTDIM + CLO	86	5747839377	1,016
LED 3000K 34W	2915	Graphite Grey Texture	I	2900 LUMEN	DAC: DALI + CLO	86	5747839568	1,016
LED 3000K 34W	2915	Graphite Grey Texture	II	2900 LUMEN	DPC: NIGHTDIM + CLO	86	5747839380	1,016
LED 3000K 34W	2915	Grey	I	2900 LUMEN	DAC: DALI + CLO	86	5747839571	1,016
LED 3000K 34W	2915	Grey	II	2900 LUMEN	DPC: NIGHTDIM + CLO	86	5747839393	1,016
LED 4000K 14W	1244	Aluminium Colour Texture	I	1200 LUMEN	DAC: DALI + CLO	89	5747839461	1,016
LED 4000K 14W	1244	Aluminium Colour Texture	II	1200 LUMEN	DPC: NIGHTDIM + CLO	89	5747839283	1,016
LED 4000K 14W	1244	Graphite Grey Texture	I	1200 LUMEN	DAC: DALI + CLO	89	5747839474	1,016
LED 4000K 14W	1244	Graphite Grey Texture	II	1200 LUMEN	DPC: NIGHTDIM + CLO	89	5747839296	1,016
LED 4000K 14W	1244	Grey	I	1200 LUMEN	DAC: DALI + CLO	89	5747839487	1,016
LED 4000K 14W	1244	Grey	II	1200 LUMEN	DPC: NIGHTDIM + CLO	89	5747839306	1,016
LED 4000K 22W	1941	Aluminium Colour Texture	I	1900 LUMEN	DAC: DALI + CLO	88	5747839526	1,016
LED 4000K 22W	1941	Aluminium Colour Texture	II	1900 LUMEN	DPC: NIGHTDIM + CLO	88	5747839348	1,016
LED 4000K 22W	1941	Graphite Grey Texture	I	1900 LUMEN	DAC: DALI + CLO	88	5747839539	1,016
LED 4000K 22W	1941	Graphite Grey Texture	II	1900 LUMEN	DPC: NIGHTDIM + CLO	88	5747839351	1,016
LED 4000K 22W	1941	Grey	I	1900 LUMEN	DAC: DALI + CLO	88	5747839542	1,016
LED 4000K 22W	1941	Grey	II	1900 LUMEN	DPC: NIGHTDIM + CLO	88	5747839364	1,016
LED 4000K 34W	2990	Aluminium Colour Texture	I	2900 LUMEN	DAC: DALI + CLO	88	5747839584	1,016

Light source	Lumen	Finish	Class	Light technique	Lighting control	Efficacy	Order-no.	RRP €
LED 4000K 34W	2990	Aluminium Colour Texture	II	2900 LUMEN	DPC: NIGHTDIM + CLO	88	5747839403	1,016
LED 4000K 34W	2990	Graphite Grey Texture	I	2900 LUMEN	DAC: DALI + CLO	88	5747839597	1,016
LED 4000K 34W	2990	Graphite Grey Texture	II	2900 LUMEN	DPC: NIGHTDIM + CLO	88	5747839416	1,016
LED 4000K 34W	2990	Grey	I	2900 LUMEN	DAC: DALI + CLO	88	5747839607	1,016
LED 4000K 34W	2990	Grey	II	2900 LUMEN	DPC: NIGHTDIM + CLO	88	5747839429	1,016

# Bysted LED Upgrade Kit

## LED Upgrade kit

Design: Peter Bysted

**Concept:** The fixture emits light directed downwards. The shades have a white painted undersurface to achieve optimal light reflection and produce a characteristic symmetric light pattern around the fixture. The LED-upgrade kit (also referred to as LED Retrofit kit) allows you to replace the old electrical components with a complete modern new LED unit, while retaining the original fixture.

**Material:** LED console: Die cast aluminium. Diffuser: Matt acrylic.

**Mounting:** LED Upgrade Kit available for updating conventional Bysted variants with LED. Terminal block positioning: In post. Looping: Approved, max 5 x 6 mm<sup>2</sup>. Driver position: In pole top. Delivered without junction box and cable. Integradet SPD as standard.

**Class:** Ingress protection IP65. Electric shock protection II w/o ground. IK06.

**Info notes:** Dimming options available: DALI, CLO.



Light source	Lumen	Finish	Class	Mounting	Lighting control	Efficacy	Order-no.	RRP €
LED 3000K 24W	696	Corten Steel	II	RETROFIT KIT	DAC: DALI + CLO	29	5747400942	1,102

# Kipp LED Upgrade Kit

## LED Upgrade kit

**Design:** Alfred Homann

**Concept:** The fixture emits symmetrical light directed downwards. The angle of the internal diffuser, together with the slightly curved top shade, ensures a wide band of glare-free, uniform lighting. The LED-upgrade kit (also referred to as LED Retrofit kit) allows you to replace the old electrical components with a complete modern new LED unit, while retaining the original fixture.

**Material:** LED console: Die cast aluminium.

**Mounting:** LED Upgrade Kit available for updating conventional Kipp variants with LED. Installation cable: 5m 2x1,0mm<sup>2</sup> (-DPC Class II), 5m 3x1,0mm<sup>2</sup> (-DPC Class I), 5m 4x1,0mm<sup>2</sup> (-DAC Class II), 5m 5x1,0mm<sup>2</sup> (-DAC Class I). Looping: Approved. Delivered with outdoor LED driver with transient protection. LED driver in fixture head. Cable to be mounted in fuse box (not included).

**Weight:** Max. 2.5 kg.

**Class:** Ingress protection IP66. Electric shock protection I w. ground, II w/o ground. IK10.

**Info notes:** Dimming options available: DALI, CLO, and night time dimming (default setting: 50% power in 8 hours).



Light source	Lumen	Finish	Class	Light technique	Mounting	Lighting control	Efficacy	Order-no.	RRP €
LED 3000K 10W	850	White	I	850 LUMEN	RETROFIT KIT	DAC: DALI + CLO	85	5747810901	519
LED 3000K 10W	850	White	I	850 LUMEN	RETROFIT KIT	DPC: NIGHTDIM + CLO	85	5747811133	519
LED 3000K 10W	850	White	II	850 LUMEN	RETROFIT KIT	DAC: DALI + CLO	85	5747811191	519
LED 3000K 10W	850	White	II	850 LUMEN	RETROFIT KIT	DPC: NIGHTDIM + CLO	85	5747810969	519
LED 3000K 19W	1720	White	I	1700 LUMEN	RETROFIT KIT	DAC: DALI + CLO	91	5747810888	519
LED 3000K 19W	1720	White	I	1700 LUMEN	RETROFIT KIT	DPC: NIGHTDIM + CLO	91	5747811117	519
LED 3000K 19W	1720	White	II	1700 LUMEN	RETROFIT KIT	DAC: DALI + CLO	91	5747811175	519
LED 3000K 19W	1720	White	II	1700 LUMEN	RETROFIT KIT	DPC: NIGHTDIM + CLO	91	5747810943	519
LED 3000K 30W	3011	White	I	3000 LUMEN	RETROFIT KIT	DPC: NIGHTDIM + CLO	100	5747810985	620
LED 3000K 30W	3011	White	I	3000 LUMEN	RETROFIT KIT	DAC: DALI + CLO	100	5747810862	620
LED 3000K 30W	3011	White	II	3000 LUMEN	RETROFIT KIT	DAC: DALI + CLO	100	5747811159	620
LED 3000K 30W	3011	White	II	3000 LUMEN	RETROFIT KIT	DPC: NIGHTDIM + CLO	100	5747810927	620
LED 4000K 10W	876	White	I	850 LUMEN	RETROFIT KIT	DAC: DALI + CLO	88	5747810914	519
LED 4000K 10W	876	White	I	850 LUMEN	RETROFIT KIT	DPC: NIGHTDIM + CLO	88	5747811146	519
LED 4000K 10W	876	White	II	850 LUMEN	RETROFIT KIT	DAC: DALI + CLO	88	5747811201	519
LED 4000K 10W	876	White	II	850 LUMEN	RETROFIT KIT	DPC: NIGHTDIM + CLO	88	5747810972	519
LED 4000K 19W	1772	White	I	1700 LUMEN	RETROFIT KIT	DAC: DALI + CLO	93	5747810891	519
LED 4000K 19W	1772	White	I	1700 LUMEN	RETROFIT KIT	DPC: NIGHTDIM + CLO	93	5747811120	519
LED 4000K 19W	1772	White	II	1700 LUMEN	RETROFIT KIT	DAC: DALI + CLO	93	5747811188	519
LED 4000K 19W	1772	White	II	1700 LUMEN	RETROFIT KIT	DPC: NIGHTDIM + CLO	93	5747810956	519
LED 4000K 30W	3104	White	I	3000 LUMEN	RETROFIT KIT	DAC: DALI + CLO	103	5747810875	620
LED 4000K 30W	3104	White	I	3000 LUMEN	RETROFIT KIT	DPC: NIGHTDIM + CLO	103	5747810998	620
LED 4000K 30W	3104	White	II	3000 LUMEN	RETROFIT KIT	DAC: DALI + CLO	103	5747811162	620
LED 4000K 30W	3104	White	II	3000 LUMEN	RETROFIT KIT	DPC: NIGHTDIM + CLO	103	5747810930	620

# LP Icon LED Upgrade Kit

## LED Upgrade kit

Design: Mads Odgård

**Concept:** The fixture provides mainly direct downward illumination. The shade is lit up from within and creates a soft diffused upwards light. Depending on the choice of optics, the downward lighting characteristics will vary. The optics types have been designed in different variations to provide different asymmetrical distributions of light. The LED-upgrade kit (also referred to as LED Retrofit kit) allows you to replace the old electrical components with a complete modern new LED unit, while retaining the original fixture.



**Material:** LED console: extruded aluminum profile.  
 Reflector: Injection molded plastic (ASA.)  
 Light Distribution: Optics lenses.

**Mounting:** LED Upgrade Kit available for updating conventional LP Icon Mini variants with LED.

Installation cable not included.

Delivered with outdoor LED-driver with transient protection.

LED-driver in fixture head.

Not approved for looping.

**Class:** Electric shock protection I w. ground or II w/o ground.

**Info notes:** Dimming options available: CLO, and night time dimming (default setting: 50% power in 8 hours in time span 22 - 06 GMT+1).

Light source	Lumen	Finish	Class	Light technique	Lighting control	Plug	Efficacy	Order-no.	RRP €
LED 3000K 15W	1582	White	II	ASY2	CLO	1500 LUMEN	105	5747830703	554
LED 3000K 15W	1582	White	II	ASY2	DPC: NIGHTDIM + CLO	1500 LUMEN	105	5747831197	554
LED 3000K 15W	1527	White	II	ASYT3	DPC: NIGHTDIM + CLO	1500 LUMEN	102	5747831249	554
LED 3000K 15W	1527	White	II	ASYT3	CLO	1500 LUMEN	102	5747830758	554
LED 3000K 20W	2083	White	II	ASY2	CLO	2000 LUMEN	104	5747830716	554
LED 3000K 20W	2083	White	II	ASY2	DPC: NIGHTDIM + CLO	2000 LUMEN	104	5747831207	554
LED 3000K 20W	2010	White	II	ASYT3	CLO	2000 LUMEN	100	5747830761	554
LED 3000K 20W	2010	White	II	ASYT3	DPC: NIGHTDIM + CLO	2000 LUMEN	100	5747831252	554
LED 3000K 32W	3133	White	II	ASY2	CLO	3000 LUMEN	98	5747830729	554
LED 3000K 32W	3133	White	II	ASY2	DPC: NIGHTDIM + CLO	3000 LUMEN	98	5747831210	554
LED 3000K 32W	3030	White	II	ASYT3	CLO	3000 LUMEN	95	5747830774	554
LED 3000K 32W	3030	White	II	ASYT3	DPC: NIGHTDIM + CLO	3000 LUMEN	95	5747831265	554
LED 3000K 39W	4235	White	II	ASY2	CLO	4000 LUMEN	109	5747830732	788
LED 3000K 39W	4235	White	II	ASY2	DPC: NIGHTDIM + CLO	4000 LUMEN	109	5747831223	788
LED 3000K 39W	4045	White	II	ASYT3	CLO	4000 LUMEN	104	5747830787	788
LED 3000K 39W	4045	White	II	ASYT3	DPC: NIGHTDIM + CLO	4000 LUMEN	104	5747831278	788
LED 3000K 51W	4993	White	II	ASY2	CLO	5000 LUMEN	98	5747825080	788
LED 3000K 51W	4993	White	II	ASY2	DPC: NIGHTDIM + CLO	5000 LUMEN	98	5747825145	788
LED 3000K 51W	4806	White	II	ASYT3	CLO	5000 LUMEN	94	5747825093	788
LED 3000K 51W	4806	White	II	ASYT3	DPC: NIGHTDIM + CLO	5000 LUMEN	94	5747825158	788
LED 3000K 62W	6078	White	II	ASY2	CLO	6000 LUMEN	98	5747830745	788
LED 3000K 62W	6078	White	II	ASY2	DPC: NIGHTDIM + CLO	6000 LUMEN	98	5747831236	788
LED 3000K 62W	5851	White	II	ASYT3	CLO	6000 LUMEN	94	5747830790	788
LED 3000K 62W	5851	White	II	ASYT3	DPC: NIGHTDIM + CLO	6000 LUMEN	94	5747831281	788
LED 4000K 15W	1655	White	II	ASY2	CLO	1500 LUMEN	110	5747830855	554
LED 4000K 15W	1655	White	II	ASY2	DPC: NIGHTDIM + CLO	1500 LUMEN	110	5747831346	554
LED 4000K 15W	1598	White	II	ASYT3	CLO	1500 LUMEN	107	5747830981	554
LED 4000K 15W	1598	White	II	ASYT3	DPC: NIGHTDIM + CLO	1500 LUMEN	107	5747831964	554
LED 4000K 20W	2180	White	II	ASY2	CLO	2000 LUMEN	109	5747830868	554
LED 4000K 20W	2180	White	II	ASY2	DPC: NIGHTDIM + CLO	2000 LUMEN	109	5747831922	554
LED 4000K 20W	2103	White	II	ASYT3	CLO	2000 LUMEN	105	5747830994	554
LED 4000K 20W	2103	White	II	ASYT3	DPC: NIGHTDIM + CLO	2000 LUMEN	105	5747831977	554
LED 4000K 32W	3279	White	II	ASY2	CLO	3000 LUMEN	102	5747830952	554



Light source	Lumen	Finish	Class	Light technique	Lighting control	Plug	Efficacy	Order-no.	RRP €
LED 4000K 32W	3279	White	II	ASY2	DPC: NIGHTDIM + CLO	3000 LUMEN	102	5747831935	554
LED 4000K 32W	3171	White	II	ASYT3	CLO	3000 LUMEN	99	5747831113	554
LED 4000K 32W	3171	White	II	ASYT3	DPC: NIGHTDIM + CLO	3000 LUMEN	99	5747831980	554
LED 4000K 39W	4432	White	II	ASY2	CLO	4000 LUMEN	114	5747830965	788
LED 4000K 39W	4432	White	II	ASY2	DPC: NIGHTDIM + CLO	4000 LUMEN	114	5747831948	788
LED 4000K 39W	4233	White	II	ASYT3	CLO	4000 LUMEN	109	5747831126	788
LED 4000K 39W	4233	White	II	ASYT3	DPC: NIGHTDIM + CLO	4000 LUMEN	109	5747831993	788
LED 4000K 51W	5225	White	II	ASY2	CLO	5000 LUMEN	102	5747825116	788
LED 4000K 51W	5225	White	II	ASY2	DPC: NIGHTDIM + CLO	5000 LUMEN	102	5747825174	788
LED 4000K 51W	5029	White	II	ASYT3	CLO	5000 LUMEN	99	5747825129	788
LED 4000K 51W	5029	White	II	ASYT3	DPC: NIGHTDIM + CLO	5000 LUMEN	99	5747825187	788
LED 4000K 62W	6360	White	II	ASY2	CLO	6000 LUMEN	103	5747830978	788
LED 4000K 62W	6360	White	II	ASY2	DPC: NIGHTDIM + CLO	6000 LUMEN	103	5747831951	788
LED 4000K 62W	6123	White	II	ASYT3	CLO	6000 LUMEN	99	5747831139	788
LED 4000K 62W	6123	White	II	ASYT3	DPC: NIGHTDIM + CLO	6000 LUMEN	99	5747832002	788

# Skot LED Upgrade Kit

## LED Upgrade kit

Design: LK as

**Concept:** The fixture is available with two types of distribution: symmetric or half shaded. The half shaded is only recommended for wall mounting. The opal diffuser creates a soft light distribution. For higher efficiency the clear version can be selected. The LED-upgrade kit (also referred to as LED Retrofit kit) allows you to replace the old electrical components with a complete modern new LED unit, while retaining the original fixture.

**Finish:** White powder coated.

**Material:** LED console: aluminium sheet

**Mounting:** Two variants: LED Upgrade Kit available for variants with full die cast aluminium housing or variants with aluminium housing with plastic insert. Looping approved for LED Upgrade kit with full aluminium housing: max. 5x2.5mm<sup>2</sup>.

**Class:** Ingress protection IP66. Electric shock protection II w/o ground. IK10.

**Info notes:** LED Upgrade Kit available for updating conventional Skot variants with LED. There may be anniversary or limited editions where this is not compatible. Please contact Louis Poulsen for more information. Two variants: LED Upgrade Kit available for variants with full die cast aluminium housing or variants with aluminium housing with plastic insert.



Light source	Lumen	Finish	Class	Shield/Diffuser	Body	Mounting	Efficacy	Order-no.	RRP €
LED 3000K 8.1W	364	White	II	HALF SHADE	HOUSING W/ PC INSERT	RETROFIT KIT	45	10000150630	332
LED 3000K 8.1W	364	White	II	HALF SHADE	DIE CAST ALUMINIUM HOUSING	RETROFIT KIT	45	10000150628	332
LED 3000K 8.1W	521	White	II	OPAL/CLEAR	DIE CAST ALUMINIUM HOUSING	RETROFIT KIT	64	10000150629	332
LED 3000K 8.1W	521	White	II	OPAL/CLEAR	HOUSING W/ PC INSERT	RETROFIT KIT	64	10000150631	332

# Toldbod 290 LED Upgrade Kit

## LED Upgrade kit

Design: Louis Poulsen A/S

**Concept:** The light is directed 100% downwards and the shade has a matt white painted interior emitting a soft, diffused, comfortable light. The LED-upgrade kit (also referred to as LED Retrofit kit) allows you to replace the old electrical components with a complete modern new LED unit, while retaining the original fixture.

**Material:** LED console: Die cast aluminium.

**Mounting:** LED Upgrade Kit available for updating conventional Toldbod 290 variants with LED. Installation cable: 5m 2x1,0mm<sup>2</sup> (-DPC Class II), 5m 3x1,0mm<sup>2</sup> (-DPC Class I), 5m 4x1,0mm<sup>2</sup> (-DAC Class II), 5m 5x1,0mm<sup>2</sup> (-DAC Class I).  
**Looping:** Approved. Delivered with outdoor LED driver with transient protection. LED driver in fixture head. Cable to be mounted in fuse box (not included).

**Weight:** Max. 5 kg.

**Class:** Ingress protection IP65. Electric shock protection I w. ground, II w/o ground. IK08.

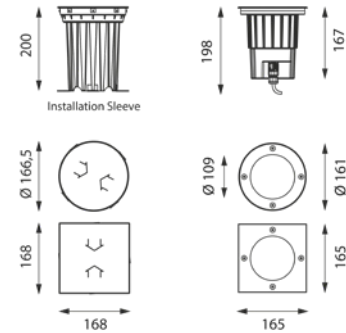
**Info notes:** Dimming options available: DALI, CLO, and night time dimming (default setting: 50% power in 8 hours).



Light source	Lumen	Finish	Class	Light technique	Lighting control	Plug	Efficacy	Order-no.	RRP €
LED 3000K 13W	1313	White	I	1300 LUMEN	DAC: DALI + CLO	Retrofit Kit	101	5747811272	1,035
LED 3000K 13W	1313	White	II	1300 LUMEN	DPC: NIGHTDIM + CLO	Retrofit Kit	101	5747811816	1,035
LED 3000K 20W	1928	White	I	1900 LUMEN	DAC: DALI + CLO	Retrofit Kit	96	5747811298	1,035
LED 3000K 20W	1988	White	II	1900 LUMEN	DPC: NIGHTDIM + CLO	Retrofit Kit	99	5747811832	1,035
LED 3000K 9W	877	White	I	850 LUMEN	DAC: DALI + CLO	Retrofit Kit	97	5747811256	1,035
LED 3000K 9W	877	White	II	850 LUMEN	DPC: NIGHTDIM + CLO	Retrofit Kit	97	5747811793	1,035
LED 4000K 13W	1354	White	I	1300 LUMEN	DAC: DALI + CLO	Retrofit Kit	104	5747811285	1,035
LED 4000K 13W	1354	White	II	1300 LUMEN	DPC: NIGHTDIM + CLO	Retrofit Kit	104	5747811829	1,035
LED 4000K 20W	1988	White	I	1900 LUMEN	DAC: DALI + CLO	Retrofit Kit	99	5747811308	1,035
LED 4000K 20W	1988	White	II	1900 LUMEN	DPC: NIGHTDIM + CLO	Retrofit Kit	99	5747811845	1,035
LED 4000K 9W	904	White	I	850 LUMEN	DAC: DALI + CLO	Retrofit Kit	100	5747811269	1,035
LED 4000K 9W	904	White	II	850 LUMEN	DPC: NIGHTDIM + CLO	Retrofit Kit	100	5747811803	1,035

# Radiis 109

## Accent



**Concept:** The fixture emits even, channelled light. Three types of light systems – zoom, lens and reflectors – together with direction adjustment options and colour and light filters, make it possible to illuminate buildings, vegetation, signs, etc. in an effective and interesting way, while promoting a sense of security.

**Finish:** Glass, stainless steel.

**Material:** Housing: Injection moulded anodised aluminium. Top ring: Brushed stainless steel, 316L. Glass: Extra clear, hardened glass. Driver box: Synthetic. Installation sleeve: Synthetic.

**Mounting:** An installation sleeve must be used (ordered separately). The IP68 driver box/connection box is pre-mounted with sealed wiring and IP68 connectors. The connecting cable terminates with an IP68 connector (supplied) for cable type H07RN-F Ø7-12mm (2x2.5mm<sup>2</sup>). Certified to withstand load of up to 2,000 kg.

**Weight:** Max 1.5kg.

**Class:** Ingress protection IP66, IP67. IK10. Electric shock protection II wo. ground, III.

**Info notes:** An installation sleeve must be used (ordered separately).  
 IP66: Can withstand water pressure of 100 kN/m<sup>2</sup> from a distance of 3 m for 3 minutes.  
 IP67: Temporary immersion in water (30 minutes at 1m)  
 Holder ring for accessories must be used with the high-output version.  
 Reflector options depend on the fixture type. It is therefore not possible to choose all reflectors for all fixture types. The innovation of the LED technology is constant. The specifications mentioned are based on present technology.

Dimensions	Light source	Lumen	Finish	Class	Reflector	Body	Plug	Efficacy	Order-no.	RRP €
165x165	LED 3000K 11W	593	Stainless Steel	II	11°	GIMBAL	INT. DRIVER	56	5747829141	1,062
165x165	LED 3000K 11W	569	Stainless Steel	II	31°	GIMBAL	INT. DRIVER	53	5747829167	1,062
165x165	LED 3000K 13W	1297	Stainless Steel	III	11° HO	HIGH OUTPUT	EXT. DRIVER	100	5747829400	814
165x165	LED 3000K 13W	748	Stainless Steel	III	15-63°	ZOOM	EXT. DRIVER	58	5747829044	883
165x165	LED 3000K 13W	1292	Stainless Steel	III	18° HO	HIGH OUTPUT	EXT. DRIVER	99	5747829426	814
165x165	LED 3000K 13W	1279	Stainless Steel	III	40° HO	HIGH OUTPUT	EXT. DRIVER	98	5747829442	814
165x165	LED 3000K 14W	1297	Stainless Steel	II	11° HO	HIGH OUTPUT	INT. DRIVER	93	5747829345	925
165x165	LED 3000K 14W	748	Stainless Steel	II	15-63°	ZOOM	INT. DRIVER	53	5747829028	994
165x165	LED 3000K 14W	1292	Stainless Steel	II	18° HO	HIGH OUTPUT	INT. DRIVER	92	5747829361	925
165x165	LED 3000K 14W	1279	Stainless Steel	II	40° HO	HIGH OUTPUT	INT. DRIVER	91	5747829387	925
165x165	LED 3000K 9.7W	593	Stainless Steel	III	11°	GIMBAL	EXT. DRIVER	61	5747829183	952
165x165	LED 3000K 9.7W	569	Stainless Steel	III	31°	GIMBAL	EXT. DRIVER	59	5747829206	952
165x165	LED 4000K 11W	628	Stainless Steel	II	11°	GIMBAL	INT. DRIVER	59	5747829154	1,062
165x165	LED 4000K 11W	603	Stainless Steel	II	31°	GIMBAL	INT. DRIVER	57	5747829170	1,062
165x165	LED 4000K 13W	1342	Stainless Steel	III	11° HO	HIGH OUTPUT	EXT. DRIVER	103	5747829413	814
165x165	LED 4000K 13W	1078	Stainless Steel	III	15-63°	ZOOM	EXT. DRIVER	83	5747829057	883
165x165	LED 4000K 13W	1337	Stainless Steel	III	18° HO	HIGH OUTPUT	EXT. DRIVER	103	5747829439	814
165x165	LED 4000K 13W	1324	Stainless Steel	III	40° HO	HIGH OUTPUT	EXT. DRIVER	102	5747829455	814
165x165	LED 4000K 14W	1342	Stainless Steel	II	11° HO	HIGH OUTPUT	INT. DRIVER	96	5747829358	925
165x165	LED 4000K 14W	774	Stainless Steel	II	15-63°	ZOOM	INT. DRIVER	55	5747829031	994
165x165	LED 4000K 14W	1337	Stainless Steel	II	18° HO	HIGH OUTPUT	INT. DRIVER	95	5747829374	925
165x165	LED 4000K 14W	1324	Stainless Steel	II	40° HO	HIGH OUTPUT	INT. DRIVER	95	5747829390	925
165x165	LED 4000K 9.7W	628	Stainless Steel	III	11°	GIMBAL	EXT. DRIVER	65	5747829196	952
165x165	LED 4000K 9.7W	603	Stainless Steel	III	31°	GIMBAL	EXT. DRIVER	62	5747829219	952
Ø 161	LED 3000K 11W	593	Stainless Steel	II	11°	GIMBAL	INT. DRIVER	56	5747829060	980
Ø 161	LED 3000K 11W	569	Stainless Steel	II	31°	GIMBAL	INT. DRIVER	53	5747829086	980
Ø 161	LED 3000K 13W	1297	Stainless Steel	III	11° HO	HIGH OUTPUT	EXT. DRIVER	100	5747829280	732
Ø 161	LED 3000K 13W	748	Stainless Steel	III	15-63°	ZOOM	EXT. DRIVER	58	5747829002	801
Ø 161	LED 3000K 13W	1292	Stainless Steel	III	18° HO	HIGH OUTPUT	EXT. DRIVER	99	5747829303	732
Ø 161	LED 3000K 13W	1279	Stainless Steel	III	40° HO	HIGH OUTPUT	EXT. DRIVER	98	5747829329	732
Ø 161	LED 3000K 14W	1297	Stainless Steel	II	11° HO	HIGH OUTPUT	INT. DRIVER	93	5747829222	842

Dimensions	Light source	Lumen	Finish	Class	Reflector	Body	Plug	Efficacy	Order-no.	RRP €
Ø 161	LED 3000K 14W	748	Stainless Steel	II	15-63°	ZOOM	INT. DRIVER	53	5747828980	911
Ø 161	LED 3000K 14W	1292	Stainless Steel	II	18° HO	HIGH OUTPUT	INT. DRIVER	92	5747829248	842
Ø 161	LED 3000K 14W	1279	Stainless Steel	II	40° HO	HIGH OUTPUT	INT. DRIVER	91	5747829264	842
Ø 161	LED 3000K 9.7W	593	Stainless Steel	III	11°	GIMBAL	EXT. DRIVER	61	5747829109	870
Ø 161	LED 3000K 9.7W	569	Stainless Steel	III	31°	GIMBAL	EXT. DRIVER	59	5747829125	870
Ø 161	LED 4000K 11W	628	Stainless Steel	II	11°	GIMBAL	INT. DRIVER	59	5747829073	980
Ø 161	LED 4000K 11W	603	Stainless Steel	II	31°	GIMBAL	INT. DRIVER	57	5747829099	980
Ø 161	LED 4000K 13W	1342	Stainless Steel	III	11° HO	HIGH OUTPUT	EXT. DRIVER	103	5747829293	732
Ø 161	LED 4000K 13W	1078	Stainless Steel	III	15-63°	ZOOM	EXT. DRIVER	83	5747829015	801
Ø 161	LED 4000K 13W	1337	Stainless Steel	III	18° HO	HIGH OUTPUT	EXT. DRIVER	103	5747829316	732
Ø 161	LED 4000K 13W	1324	Stainless Steel	III	40° HO	HIGH OUTPUT	EXT. DRIVER	102	5747829332	732
Ø 161	LED 4000K 14W	1342	Stainless Steel	II	11° HO	HIGH OUTPUT	INT. DRIVER	96	5747829235	842
Ø 161	LED 4000K 14W	774	Stainless Steel	II	15-63°	ZOOM	INT. DRIVER	55	5747828993	911
Ø 161	LED 4000K 14W	1337	Stainless Steel	II	18° HO	HIGH OUTPUT	INT. DRIVER	95	5747829251	842
Ø 161	LED 4000K 14W	1324	Stainless Steel	II	40° HO	HIGH OUTPUT	INT. DRIVER	95	5747829277	842
Ø 161	LED 4000K 9.7W	628	Stainless Steel	III	11°	GIMBAL	EXT. DRIVER	65	5747829112	870
Ø 161	LED 4000K 9.7W	603	Stainless Steel	III	31°	GIMBAL	EXT. DRIVER	62	5747829138	870
<b>Sparepart</b>										
Radiis Ø109 driver 480W 48V DC									5747828977	1,076
Radiis Ø109 round ring brushed steel									5747828553	263
Radiis Ø109 squared ring brushed steel									5747828566	345
Radiis Ø109 driver 70W 48V DC									5747828948	492
Radiis torx L-Key T30									5747828896	55
Radiis sucker									5747828935	75
Radiis Ø109 driver 240W 48V DC									5747828964	869
Radiis Ø109 driver 150W 48V DC									5747828951	Contact LP
<b>Accessories</b>										
RADIIS 109 SPREADING LENS									5747828854	104
Radiis connector IP68 1in-3out 4P 15MM									5747828922	104
RADIIS 109 INST. SLEEVE EXTENSION									5747829471	119
RADIIS 109 CHROMATIC FILTER RED									5747828773	134
RADIIS 109 CHROMATIC FILTER GREEN									5747828786	134
RADIIS 109 CHROMATIC FILTER BLUE									5747828799	134
RADIIS 109 CHROMATIC FILTER YELLOW									5747828809	134
RADIIS 109 CHROMATIC FILTER MAGENTA									5747828812	134
RADIIS 109 INST SLEEVE FOR SQUARED FLUSH									5747828524	192
RADIIS 109 CORRECTIVE FILTER COLD									5747828825	192
RADIIS 109 CORRECTIVE FILTER GOLD									5747828838	192
RADIIS 109 CORRECTIVE FILTER PEACH									5747828841	192
RADIIS 109 HANDLE FOR FIXTURE REMOVAL									5747828540	45
RADIIS 109 HE HOLDER RING									5747828870	45
Radiis connector IP68 4P 15MM									5747828919	45
RADIIS 109 ANTI GLARE SHADE									5747828537	59
RADIIS 109 BEEHIVE LATTICE									5747828867	59
RADIIS 109 INSTALLATION SLEEVE									5747828511	89

# Radiis 210

## Accent

**Concept:** The fixture emits even, channelled light. Three types of light systems – zoom, lens and wall washer – together with direction adjustment options and colour and light filters, make it possible to illuminate buildings, vegetation, signs, etc. in an effective and interesting way, while promoting a sense of security.

**Finish:** Glass, stainless steel.

**Material:** Housing: Injection moulded anodised aluminium. Top ring: Brushed stainless steel, 316L. Glass: Extra clear, hardened glass. Driver box: Synthetic. Installation sleeve: Synthetic.

**Mounting:** An installation sleeve must be used (ordered separately). The IP68 driver box/connection box is pre-mounted with sealed wiring and IP68 connectors. The connecting cable terminates with an IP68 connector (supplied) for cable type H07RN-F Ø7-12mm (2x2.5mm<sup>2</sup>). Looping: Yes. Certified to withstand load of up to 2,000 kg.

**Weight:** Max. 6kg.

**Class:** Ingress protection IP66, IP67, IP69K. IK10. Electric shock protection II wo. ground.

**Info notes:** An installation sleeve must be used (ordered separately).

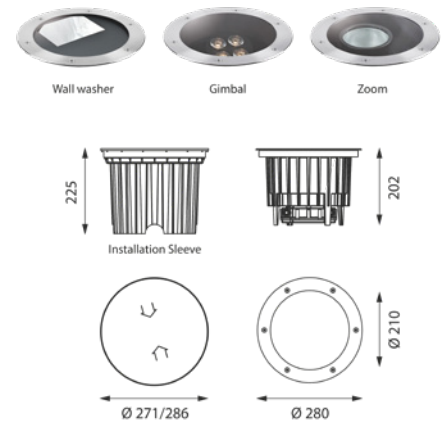
IP66: Can withstand water pressure of 100 kN/m<sup>2</sup> from a distance of 3 m for 3 minutes.

IP67: Temporary immersion in water (30 minutes at 1m)

IP69K: Dust-proof and protected against the ingress of 80° C warm water with a pressure of up to 10MN/m<sup>2</sup> at a distance of 10 cm for 30 sec in the angles 0°, 30°, 60° and 90° by a rotation of 5 rpm.

Holder ring for accessories must be used with the high-output version.

Reflector options depend on the fixture type. It is therefore not possible to choose all reflectors for all fixture types. The innovation of the LED technology is constant. The specifications mentioned are based on present technology.



Dimensions	Light source	Lumen	Finish	Class	Reflector	Body	Efficacy	Order-no.	RRP €
Ø 280	LED 3000K 15W	636	Stainless Steel	II	28°	GIMBAL	44	5747828618	2,069
Ø 280	LED 3000K 15W	583	Stainless Steel	II	43° X 30°	GIMBAL	40	5747828634	2,069
Ø 280	LED 3000K 15W	718	Stainless Steel	II	9°	GIMBAL	50	5747828595	2,069
Ø 280	LED 3000K 37W	2120	Stainless Steel	II	106 X 66°	WALL WASHER	57	5747829497	2,069
Ø 280	LED 3000K 37W	2017	Stainless Steel	II	17-62°	ZOOM	55	5747828579	1,793
Ø 280	LED 4000K 15W	700	Stainless Steel	II	28°	GIMBAL	48	5747828621	2,069
Ø 280	LED 4000K 15W	641	Stainless Steel	II	43° X 30°	GIMBAL	44	5747828647	2,069
Ø 280	LED 4000K 15W	790	Stainless Steel	II	9°	GIMBAL	55	5747828605	2,069
Ø 280	LED 4000K 37W	2190	Stainless Steel	II	106 X 66°	WALL WASHER	59	5747829507	2,069
Ø 280	LED 4000K 37W	2084	Stainless Steel	II	17-62°	ZOOM	56	5747828582	1,793

### Sparepart

Radiis torx L-Key T30	5747828896	55
Radiis sucker	5747828935	75

### Accessories

RADIIS 210 SPREADING LENS	5747828715	104
RADIIS 210 ANTI GLARE SHADE	5747828760	104
Radiis connector IP68 1in-3out 4P 15MM	5747828922	104
RADIIS 210 BEEHIVE LATTICE	5747829468	118
RADIIS 210 INST. SLEEVE EXTENSION	5747829484	146
RADIIS 210 CHROMATIC FILTER RED	5747828663	148
RADIIS 210 CHROMATIC FILTER GREEN	5747828676	148
RADIIS 210 CHROMATIC FILTER BLUE	5747828689	148
RADIIS 210 CHROMATIC FILTER YELLOW	5747828692	148
RADIIS 210 CHROMATIC FILTER MAGENTA	5747828702	148
RADIIS 210 CORRECTIVE FILTER COLD	5747828728	148
RADIIS 210 CORRECTIVE FILTER GOLD	5747828731	148
RADIIS 210 CORRECTIVE FILTER PEACH	5747828744	148
RADIIS 210 INSTALLATION SLEEVE	5747828650	177
RADIIS 210 ANTI SLIP GLASS	5747828757	211

**Accessories**

---

Radiis Ø210 handle for fixture removal	5747828906	45
Radiis connector IP68 4P 15MM	5747828919	45

---

# Contents

alphabetic

Above	27	LP Slim Round Recessed	21	Silverback Ceiling/Wall	110
AH Mini	13	LP Slim Round Semi Recessed	23	Silverback Suspended	71
AJ 50 Wall	126	LP Slim Round Surface Mounted	10	Skot Bollard	151
AJ Eklipta	5	LP Slim Round Suspended	43	Skot Ceiling	139
AJ Eklipta	98	LP Slim Round Wall	103	Skot LED Upgrade Kit	183
AJ Eklipta	127	LP Xperi	171	Skot Wall	134
AJ Floor	115	Moonsetter	117	Toldbod 155/220 Glass Pendant	72
AJ Garden Bollard	140	Moser	44	Toldbod 155 Bollard	153
AJ Mini Table	78	Munkegaard	25	Toldbod 155 Wall	135
AJ Oxford Table Lamp	79	Munkegaard Mini	26	Toldbod 220/290 Wall	136
AJ Royal	28	NJP Floor	118	Toldbod 290 LED Upgrade Kit	184
AJ Table	80	NJP Mini	82	Toldbod 290 Post	174
AJ Wall	99	NJP Table	83	Toldbod Pendant	73
AL 600	137	NJP Wall	104	VL38 Floor	124
Albertslund Maxi LED Upgrade Kit	175	NJP Wall Box	105	VL38 Table	96
Albertslund Maxi Post	155	Nyhavn Wall	131	VL38 Wall	113
Albertslund Mini LED Upgrade Kit	177	OE Quasi Light	45	VL45 Radiohus Pendant	76
Albertslund Mini Post	156	Panthella Floor	119	VL Ring Crown 1	74
Albertslund Wall	128	Panthella MINI	85	VL Ring Crown 3-5-7	75
Ballerup	14	Panthella Portable V2	87	VL Ring Crown Wall	111
Ballerup Mini	15	Panthella Table	88	VL Studio Table/Floor	123
Basic Mini	16	Panthella Table 320	89	VL Studio Wall	112
Bysted	142	Patera	46	Waterfront	154
Bysted Garden Bollard	143	Patera Oval	48	Wohlert	77
Bysted LED Upgrade Kit	179	PH 2/1 Pendant	49	Yuh Floor	125
Cirque	29	PH 2/1 Stem Fitting	50	Yuh Table	97
Collage 450/600	30	PH 2/1 Table	90	Yuh Wall	114
Dependant	31	PH 2/1 Wall	106		
Doo-Wop	32	PH 3-2½ Bollard	150		
Enigma 425	33	PH 3-2½ Wall	132		
Enigma 545	34	PH 3/2 Academy	51		
Enigma 825	35	PH 3/2 Pendant	52		
Flindt Bollard	145	PH 3/2 Table	91		
Flindt Garden Bollard	147	PH 3/2 Wall	107		
Flindt Plaza	158	PH 3/3 Pendant	53		
Flindt Wall	129	PH 3½-2½ Floor	120		
Homann Park	161	PH 3½-2½ Glass Table	92		
Keglen	36	PH 3½-2½ Table	93		
Keglen Floor	116	PH 3½-3 Glass Pendant	54		
Keglen Table	81	PH 3½-3 Pendant	55		
Keglen Wall	100	PH 4/3 Pendant	56		
Kipp Bollard	149	PH 4/3 Table	94		
Kipp LED Upgrade Kit	180	PH 4½-3½ Glass Floor	121		
Kipp Post	163	PH 4½-3½ Glass Table	95		
Kipp Wall	138	PH 4½-4 Glass Pendant	57		
LC Shutters	37	PH 5	58		
LP Capsule	165	PH 5-4½ & PH 6½-6	62		
LP Circle Recessed	17	PH 5/5 Pendant	61		
LP Circle Semi Recessed	18	PH 5 Mini	60		
LP Circle Surface Mounted	6	PH 80	122		
LP Circle Suspended	38	PH Artichoke	63		
LP Grand Surface Mounted	7	PH Artichoke Glass	66		
LP Grand Suspended	39	PH Hat	108		
LP Grand Wall	101	PH Louvre	68		
LP Icon	167	PH Septima	69		
LP Icon LED Upgrade Kit	181	PH Snowball	70		
LP Icon Wall	130	PH Wall	133		
LP Nest	170	Radiis 109	185		
LP Slim Box Recessed	19	Radiis 210	187		
LP Slim Box Semi-Recessed	20	Ripls	11		
LP Slim Box Surface Mounted	9	Ripls	109		
LP Slim Box Suspended	41	Silverback Ceiling/Wall	12		



# Description and Abbreviations

## ASYM 2H:

ASYM 2H stands for asymmetrical light distribution, IESNA Type II, optics H ASY or ASYM means that the light distribution is asymmetric. In other words, the luminaires stand by the roadside and illuminate the road/path to both sides. The figure 1, 2, 3, 4, 5 = T1, T2, T3, T4, T5 = Type I, II, III, IV, V. This refers to the north American way of categorising/grouping light distribution.

## BUG Rating:

The BUG rating system was developed by IESNA (Illuminating Engineering Society of North America) in 2005 and used in USA for outdoor lighting. The acronym describes the types of stray light escaping from an outdoor lighting luminaire. "B" stands for Backlight, or the light directed in back of the mounting pole. "U" stands for Uplight, or the light directed above the horizontal plane of the luminaire which can cause light pollution, and "G" stands for glare, or the amount of light emitted from the luminaire at angles known to cause glare.

## Bluetooth wireless / Casambi:

Using Bluetooth, the customer can operate their luminaire via their mobile phone/tablet. In addition to controlling the luminaire via a mobile device, it is possible to purchase a switch for wall mounting: the Casambi Xpress wireless interface. In certain cases, it will also be possible to use an existing switch with the Casambi 4CH push-button interface. It will not be possible to dim an LED variant with Bluetooth (DALI) with a traditional dimmer.

## BI-SYM

SYM = SYMM = Double symmetrical luminous (the light distribution has two planes of symmetry – one longitudinal and one transverse). This corresponds to IESNA Type I.

## CRI – Color Rendering Index:

In general, the importance of color rendering is often unknown or underestimated. The higher the Ra or CRI value of a light source, the better the color rendering is.

The color rendering index defines the ability of a light source to reproduce colors correctly. It is measured on a scale of 1-100 where a rendering of 1 is very poor and a rendering index of 100 is the best where all colors are reproduced or shown in, like in natural daylight. The scale is an expression of the quality of the color rendering's ability of a light source. For example, a light source with bad color rendering (60-67 RA) can make the color of a car look so different under an old street light at night compared to how it looks in broad daylight. Or why a t-shirt looks purple in the changing room whereas it turns out to be red once you get outside in the daylight. A light source can only reproduce the colors that it contains, and many light sources do not contain all colors, e.g. compact fluorescent rarely contain red and orange and will thus not be able to reproduce these colors correctly and these will look more brown or grey than in reality. If the Ra value is very low, any color will look transformed. Ra or CRI values at 90 or above are considered excellent, whereas scores under 80 are generally considered poor.

## Color options

The capability to develop and choose colors following trends and application needs is one of our core competencies. We offer one or more standard colors for each product. Besides that, products in our outdoor portfolio are available in 11 different colors. It is also possible to order custom colors. Please contact us for further information



Black effect fine texture (723)  
– Similar to RAL 7021 Metallic



Corten Akzo Mars YX35SF (954)



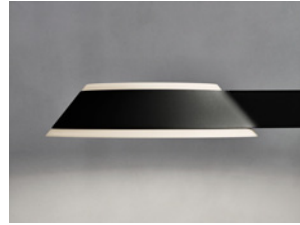
Grey texture (231)  
– Similar to RAL 7004 Metallic



Dark brown texture (647)  
– Similar to RAL 8017



Dark green texture (637)  
– Similar to RAL 6005



Black texture matt (734)  
– Similar to RAL 9005



Graphite grey texture (163)  
– Similar to RAL 7022 Metallic



Light grey texture (229)  
– Similar to RAL 7004



Grey texture (230)  
– Similar to RAL 7024



White texture matt (044)  
– Similar to RAL 9016

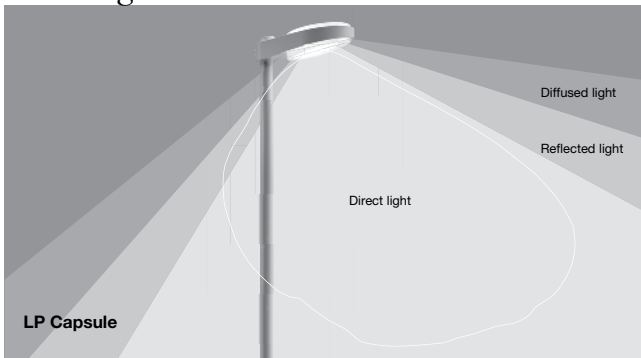


Alu color, texture (162)  
– Similar to RAL 9006 Metallic

## Direct light vs. reflected light

In outdoor lighting it is important to ensure contrast reducing elements. The luminous intensity of the light source stands out in high contrast to the black sky in the background. To ensure comfort and improve a sense of safety it is important to reduce the contrast. We work with different ways of reducing the contrast and offer post tops with either reflected light or direct light – depending on the application needs.

### Direct light



#### Why choose fixtures with direct LED?

- High efficiency
- Precise distribution of light
- Selection of different light distributions
- Smaller light engine for slimmer design.

#### Contrast reducing elements

In LP Capsule there are three contrast reducing layers between the LED and the dark night sky.

#### Reflector

The reflector redirects a small portion of the light softening the shadows on the ground, but also it creates a horizontal element with a lower luminance than the LEDs. This is the first step in the transition.

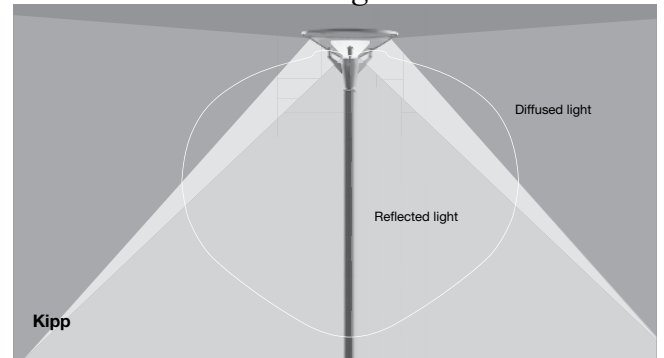
#### Diffuser

The opal diffuser positioned on the outside of the reflector catches some of the light creating a soft glow with a low comfortable luminance

#### Top

The top diffuser adds the final layer with a subtle glow defining the top of the fixture.

### Diffused and reflected light



#### Why choose fixtures with reflected light?

- High proportion of vertical illumination
- Combination of diffused and reflected light for the highest comfort.
- High degree of ambience

#### Contrast reducing elements

For Kipp there are two contrast reducing layers between the LED and the dark night sky.

#### Diffuser

On top of the LED a cone shaped diffusers softens the light and distributes it out in a horizontal and downwards direction. The main proportion of light is distributed out close to 45 degrees downwards providing a high level of vertical illumination. The cone shape of the diffuser ensures the luminance is low.

#### Top

The top of the fixture functions as the main reflector providing a wide downward reflected light while ensuring the contrast between the dark night sky and the light source is reduced.

## Dali:

Digital Addressable Lighting Interface (DALI) is a technical standard for network-based systems that control lighting. The DALI standard encompasses the communications protocol and electrical interface for lighting control networks. A DALI network consists of a controller and one or more lighting devices (e.g. drivers, dimmers, sensors) that have DALI interfaces. DALI-2 is the latest version of the DALI protocol and is setting the standard for smart lighting control.

## Efficacy:

The ratio of the luminous flux from a light source to its power consumption measured in lm/W. Also used as the luminous output from a luminaire divided by the total power consumption.

## Efficiency:

The ratio of the output power a device to its input power. For example the power of the secondary side (LED side) of a driver to the power of the primary side (mains supply side).

## Human Centric Lighting (Kelvin adjustable):

Louis Poulsen fixtures with Kelvin Adjustable have a color temperature spectrum of 2700-5700K, which allows the light to vary precisely between these two, to simulate the color temperatures of natural daylight from morning to evening. The fixture can also vary the intensity of light simulating the varying intensity of daylight throughout the day.

## Illuminance:

When light falls on a surface, it is illuminated. Illumination is an expression of the quantity of light that falls on a surface and is measured in lux. Following represents examples of illumination we experience in our everyday lives:

Lux:

Outdoors, full sun 100.000

Outdoors, overcast 10.000

Office 500

Moonlight 0,05-0,1

## Kelvin:

Being aware of the different light temperatures in your home and what works where really can make all the difference. The Kelvin color temperature scale is used to describe how various light temperatures appear visually. Light is measured in degrees on the Kelvin scale and typically ranges from 2700 – 5000 degrees Kelvin (K), which is also why light is described as warm, neutral or cold. The lower the temperature number, the warmer or more yellow the light will be, with 1500K corresponding to candle-light. The higher the number, the colder or bluer the light will be with 6000K, which is consistent with strong sunshine at noon. 4500K – 5000K is seen as the equivalent to daylight in the mid-morning and is useful when the surroundings need to look as 'authentic' as possible, which for example works well in galleries, studios and printing workshops. A color temperature around 2300K – 2700K, however, is more suitable if you want to create an intimate and romantic atmosphere e.g. in a restaurant or bar. We also see that these color temperatures are used for outdoor spaces to create ambience.

In the Scandinavian countries, it is common to use light sources of 2700K – 2800K in private residences, which is lower than in most countries - whereas e.g. in Asia 3000K or even higher is regarded as pleasant, and in offices 4000 K is the norm.

## LED:

LED is short for light-emitting diode and due to the energy efficiency and variety of light colors of the light source, LED bulbs are becoming increasingly popular. LEDs emit up to 6 times more light per watt than incandescent bulbs. They are significantly smaller, their lifespan much longer, they do not get as warm, and are far more robust. LEDs are furthermore often dimmable and can offer the same characteristics of the soft, diffused and glare-free light that we favour, as it enables you to illuminate your surroundings in the best possible way. Be aware though, of the many different qualities of LED light sources.

## LED Upgrade Kit / LED Retrofit Kit:

LED upgrade is a solution that makes our products last even longer. An original LED upgrade kit allows you to replace the old electrical components with a completely modern new LED unit, while retaining the original fixture. Louis Poulsen has developed tailor-made LED upgrade kits for our products in order to maintain the identity and qualities of each particular fixture. All our LED upgrade kits are documented and tested for liability.

Retrofit a lighting system upgrade of existing luminaires, generally with the goal of improving energy efficiency and site safety. For example by replacing conventional lamp and gear in an existing luminaire with LED and driver and maybe new optic.



Albertslund Mini LED Upgrade Kit



Kipp LED Upgrade Kit



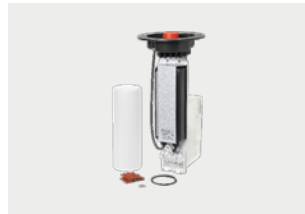
Albertslund Maxi LED Upgrade Kit



SKOT LED Upgrade Kit



LP Icon LED Upgrade Kit



Bysted LED Upgrade Kit



Toldbod 290 LED Upgrade Kit

## Light source:

Please find our recommended light source overview on our website: <https://www.louispoulsen.com/en/private/customer-service/light-source-overview>

## Lumen:

The lumen package indicates the amount of light coming from the light source. The higher the value, the more light the light sources gives off. It is, however, important to be aware of the fact that there are big differences in the way the light is emitted from a light source. A clear incandescent light source emits the light 360° around it, others 180°, and some only in one direction, which is crucial for the way you experience the light and ambience that the light creates in a room.

## Luminous intensity (Candela):

Luminous intensity is a measurement of the light radiating from a lamp in one particular direction, disregarding the intensity of light in other directions. The Candela figures for a source need to be given for specific directions but are independent of distance from the lamp.

Light source manufacturers provide charts showing the luminous intensity of a lamp in every direction from the source. These charts can be used to calculate the total luminous flux and the illumination intensity surrounding the lamp.

## Mains dimming:

Phase dimming means that the lamp is dimmed directly via the supply voltage/switch. This solution is usually used in private homes. Possibilities for phase dimming with LK dimmers, e.g. FUGA LED-S 120 VA.

## Opal:

There is a unique and artistic twist to the semi-translucent milky glass, we know as opal glass. Originating from 16th century Venice, glassmakers did not actually start calling the milky white opaque glass 'opal glass' until the 19th century. The see-through properties of the material are great for encapsulating and dispersing the light and the way designers can melt, blow and bend it to their liking makes it a pleasing material for them to work with, even today. A pendant of opal glass also has the gift of appearing aesthetically cool and almost unapproachable from the onset while suddenly converting into a perfect downward directed task light wrapped in a warm, inviting and almost life-giving glow, once switched on. A material with assets like this suits the Scandinavian design tradition of form and function very well and is understandably appreciated far and wide. Be aware of the fact that opal glass (and plastic) shades create a diffused light with very weak shadows.

## Patination:

A big selection of our lamps have uncoated metal surfaces (e.g., brass, copper, and other metals) and will patinate over time as part of the design. The natural patination will typically appear as a dark thin layer on the metal. The patination process may have already begun when the lamp is delivered.

# ROT

Rotation symmetric illumination (the light distribution is symmetrical around the vertical axis). This corresponds to IESNA Type V (square).

# SDCM:

Standard Deviation of Color Matching (SDCM) has the same meaning as a “MacAdam ellipse”. It describes the color variation of lightsources having the same rated color temperature or color. An SDCM of 1 step MacAdam ellipse means there is un-notable color difference between the lightsources/LEDs, 2-3 steps means that there is little visible color difference while 4 or more is readily noticeable. For most indoor applications a color variation of 3 step MacAdam ellipses is accepted. For outdoor applications it can be higher due to the longer distance between the light sources.

# Sensor ready:

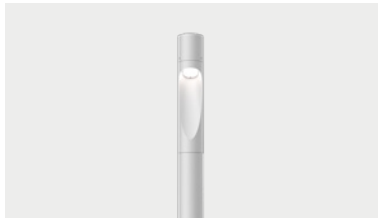
The term Sensor-Ready or just SR was created by Philips and used for their drivers with digital interface to connect a node (sensor) to the driver. The SR interface builds on a DALI architecture. This interface provides power to the node and allows for digital two-way communication based on DALI-2. This also means a possibility of wireless communication and energy metering and diagnostics.

Later the SR drivers was upgraded to the new open D4i standard launched by Digital Illumination Interface Alliance (DiiA) describing the interface between the LED driver and IoT nodes or sensors.

Our selection of Sensor ready post



**Albertslund**



**Flindt Plaza**



**Homann Park**



**Kipp**



**LP Capsule**



**LP Icon**



**LP Nest**



**LP Xperi**

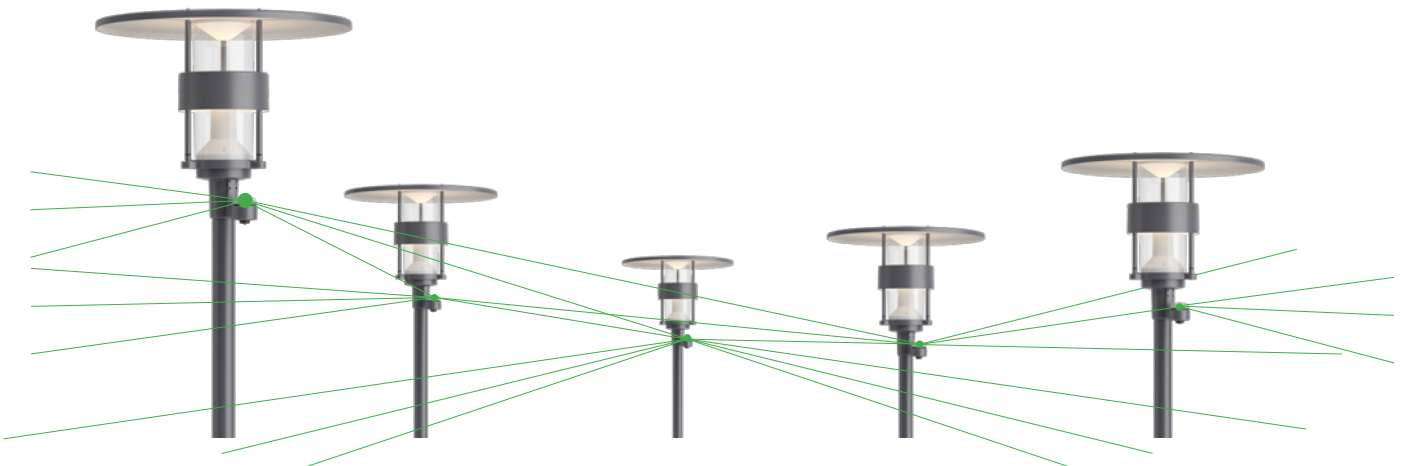
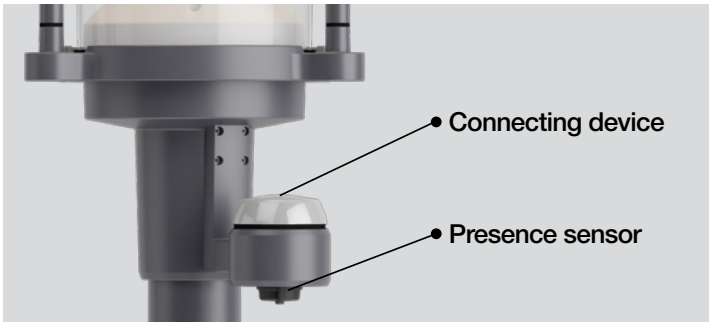


**Toldbod 29**

## Sensor products

**Sensor Ready** A post top from Louis Poulsen is compatible with latest technologies. In many city and municipalities smart city systems have entered as part of the normal management of urban lighting. A post top from Louis Poulsen can be ordered as "sensor ready" (SR). This means the fixture can be delivered with one and in some cases two Zhaga sockets for mounting connective devices and presence sensors on the fixture. For US it is a Nema Socket with one socket. Ensuring the post top are compatible with new city managements systems.

**CLO (EU)** A Louis Poulsen post top is delivered with constant lumen output (CLO). CLO ensures that the light output is constant throughout the set lifetime of the LED allowing for a more energy efficient drift planning.



**Night dimming (EU)** A Louis Poulsen fixture can be set with night dimming for installations where other lighting control is not possible. The night dimming is a stand-alone solution built into the post top and is preset to dim the fixture down to 50% output between 22-06. For other settings please contact Louis Poulsen.

## Spectral distribution:

The Spectral Power Distribution (SPD) is a graph that shows the power of each wavelength of light produced by a particular light source. The visible (white) light we can see is made up by a spectrum of various colors of light, ranging from wavelengths of 380 nm (violet) to 780 nm (deep red).

## UGR:

Unified Glare Rating (UGR) is a parameter describing the degree of discomfort glare of an indoor lighting installation. It depends on luminances of the light sources/luminaires, the background luminance and the position and viewing angle of the observer. In CEN standard EN 12464-1 the steps in the UGR scale are 13, 16, 19, 22, 25 and 28. The lower value, the better comfort. For most indoor workplaces like offices, etc. the UGR limit is 19.

## Watt:

Back in the day, we chose our light bulbs based on the wattage. If we wanted a lot of light, we would buy a high wattage bulb. For less light, we would choose a lower wattage. Wattage is however, a unit of measure for energy use, and for a long time more energy meant more light. But, then new and more efficient lights bulbs, for example LEDs, came along and changed everything. In fact, lumens are the unit measure for light output. In other words, wattage is the amount of energy or electricity that the light bulb uses per hour. The higher the wattage, the more energy or electricity it consumes.

## Wavelength:

Visible light is just a small part of the spectrum of electromagnetic radiation that includes radio waves, heat, light, microwaves etc. Each type of radiation covers a range of wavelengths that are measured in nanometres (one millionth of a millimetre). The wavelengths perceptible by human vision are between 400 nm (violet) and 700 nm (red).





[louis Poulsen.com](https://louis Poulsen.com)

**louis Poulsen**

ESTABLISHED 1874