



INDOOR

2	24 karati
2	Abachina
4	Accipicchio
5	Agua
6	Airtek One
9	Alì e Babà
13	Alibabig
14	Amarcord
16	Amsterdam
16	Aprile
16	Atmosphere
18	Au revoir
20	Bacco
20	Bag
24	Bibendum
28	Black out
30	Braille
32	Capodimonte
32	Cell
38	Ceraunavolta
43	Circus
44	Corrado
44	Cubano
44	Cupido
47	Déjà-vu
49	Domenica
50	Don't touch
51	Eden
52	Filomena
57	Fireman
57	Gangster
59	Ginger
60	Gonzaga
61	Kimono
62	Lady D
63	Le trulle
64	Leda
68	Marnin
68	Mek
71	Moby dick
72	Moonbloom
74	Movida
75	Nando
78	Nilo
80	Notredame
82	Plancton
83	R.O.M.A.
83	Sahara
85	Sherwood e Robin
86	Sibilla
87	Snoob
87	Stant
93	Stralunata
94	Ti vedo
94	Tobia
96	Turn it
99	Ugo Rilla
100	Ululì e Ululà
101	Umarell
102	Va lentina
102	Work in progress
103	Wow e Silvan
104	Cluster

OUTDOOR

108	Abachina
109	Agua
110	Alibabig
111	Atmosphere
114	Blackout
115	Cell
117	Don't touch
118	Ginger
120	Gonzaga
121	Kimono
121	Lady D
123	Leda
124	Moby Dick
125	Movida
126	Nilo
128	Plancton
129	Pois
130	Tobia
131	Ululì e Ululà
133	Xana

RECHARGEABLE

105	Bacco
105	Abachina

NEWS 2023

6	Airtek one
16/111	Atmosphere
62/122	Lady D
96	Turn it

ACCESSORIES

136	Bulbs - lampadine
138	Ceiling cups - rasoni
140	INDEX for product code <i>INDICE per codice prodotto</i>
142	General conditions of Sale <i>condizioni generali di vendita</i>
143	Project protection conditions <i>condizioni validità scheda progetto</i>
144	Symbols - simbologia
144	IP degrees - grado IP

24 KARATI pendant - sospensione

SE104 1F INT INDOOR

€ 755,00 vat not incl

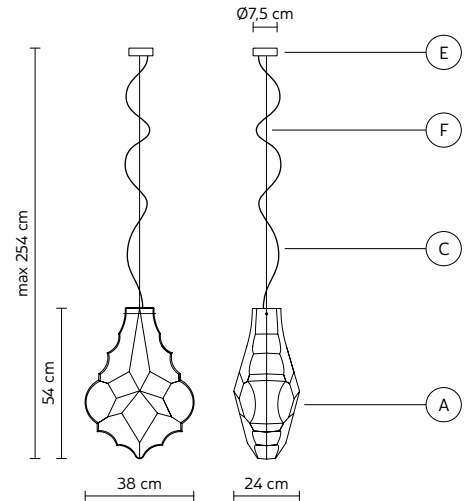
SE104 1G INT INDOOR

Matteo Ugolini design

2015

A - LAMPSHADE <i>paralume</i>	smoked glass - <i>vetro fumè</i> SE104 1F INT pale yellow glass - <i>vetro paglierino</i> SE104 1G INT
E - CEILING CUP <i>rosone</i>	transparent lacquered metal - <i>metallo laccato trasparente</i>
F - SUSPENSION CABLE <i>fune di sospensione</i>	steel 2 meters - <i>acciaio 2 metri</i>
C - ELECTRICAL CABLE <i>cavo elettrico</i>	transparent 2 meters - <i>2 metri trasparente</i>
OPTIONAL <i>accessorio</i>	bulb not provided - <i>lampadina non inclusa</i>
ELECTRICAL SYSTEM <i>dispositivo elettrico</i>	E27, 1x max 70W
PACKAGING <i>imballo</i>	cm 50x50x50
NET WEIGHT <i>peso netto</i> 3,8 KG	GROSS WEIGHT <i>peso lordo</i> 6,9 KG

IP20     



24 KARATI pendant - sospensione

SE113 1F INT INDOOR

€ 570,00 vat not incl

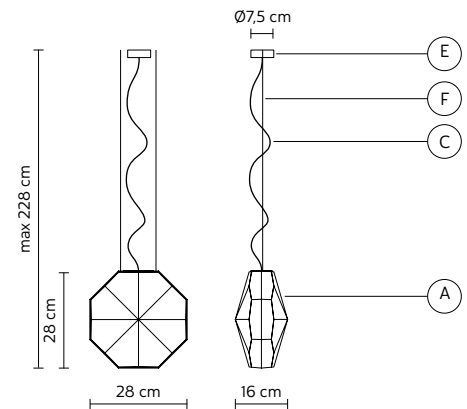
SE113 1G INT INDOOR

Matteo Ugolini design

2015

A - LAMPSHADE <i>paralume</i>	smoked glass - <i>vetro fumè</i> SE113 1F INT pale yellow glass - <i>vetro paglierino</i> SE113 1G INT
E - CEILING CUP <i>rosone</i>	transparent lacquered metal - <i>metallo laccato trasparente</i>
F - SUSPENSION CABLE <i>fune di sospensione</i>	steel 2 meters - <i>acciaio 2 metri</i>
C - ELECTRICAL CABLE <i>cavo elettrico</i>	transparent 2 meters - <i>2 metri trasparente</i>
OPTIONAL <i>accessorio</i>	bulb not provided - <i>lampadina non inclusa</i>
ELECTRICAL SYSTEM <i>dispositivo elettrico</i>	E27, 1x max 70W
PACKAGING <i>imballo</i>	cm 34x34x37
NET WEIGHT <i>peso netto</i> 2,3 KG	GROSS WEIGHT <i>peso lordo</i> 4,5 KG

IP20     



ABACHINA floor lamp - piantana

HP291 N1 INT INDOOR

€ 1.050,00 vat not incl

HP291 B1 INT INDOOR

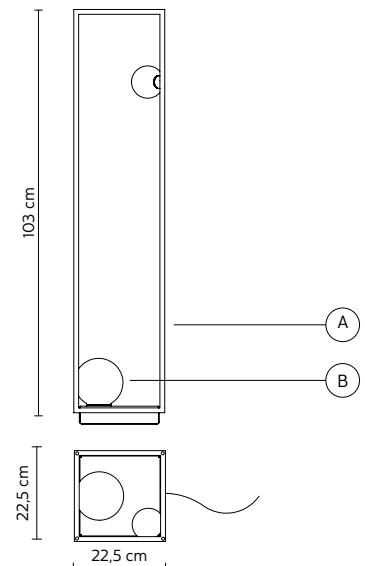
Edmondo Testaguzza design

2022

A - LAMP <i>corpo lampada</i>	matt black aluminum - <i>alluminio nero opaco</i> HP291 N1 INT matt white aluminum - <i>alluminio bianco opaco</i> HP291 B1 INT
B - SHADE <i>diffusore</i>	white frosted glass - <i>vetro bianco satinato</i>
ELECTRICAL CABLE <i>cavo elettrico</i>	black 4 meters - <i>4 metri, nero</i>
OPTIONAL <i>accessorio</i>	power supply equipped - <i>alimentatore incluso</i> tray - <i>vassoio</i> pag.4
ELECTRICAL SYSTEM <i>dispositivo elettrico</i>	*LED CC 350mA, 10,6W 1368 Lm, 3000K, CRI≥90
PACKAGING <i>imballo</i>	42x42x120 cm
NET WEIGHT <i>peso netto</i> 4,8 KG	GROSS WEIGHT <i>peso lordo</i> 6,8 KG

*(foot dimmable switch - *pedaliera dimmerabile*)
*up (3,2W 410 lm) + down (7,4W 958 lm)

IP20    



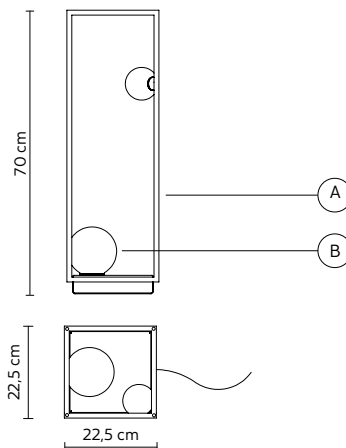
ABACHINA floor lamp - piantana**HP291 N2 INT** INDOOR€ 1.030,00 vat not incl**HP291 B2 INT** INDOOR

Edmondo Testaguzza design

2022

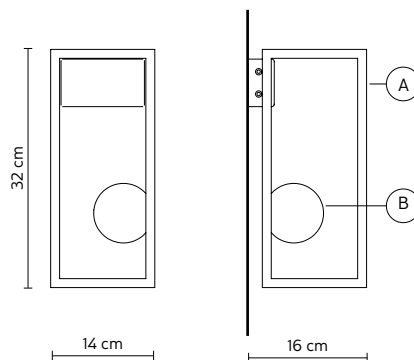
A - LAMP *corpo lampada* matt black aluminum - *alluminio nero opaco* **HP291 N2 INT**
matt white aluminum - *alluminio bianco opaco* **HP291 B2 INT****B - SHADE** *diffusore* white frosted glass - *vetro bianco satinato***ELECTRICAL CABLE** *cavo elettrico* black 4 meters - *4 metri, nero***OPTIONAL** *accessorio* power supply equipped - *alimentatore incluso*
tray - *vassoio* **pag.4****ELECTRICAL SYSTEM** *dispositivo elettrico* *LED CC 350mA, 10,6W 1368 Lm, 3000K, CRI≥90**PACKAGING** *imballo* 42x42x80 cm**NET WEIGHT** *peso netto* 4,6 KG **GROSS WEIGHT** *peso lordo* 6,2 KG*(foot dimmable switch - *pedaliera dimmerabile*)

*up (3,2W 410 lm) + down (7,4W 958 lm)

**ABACHINA** wall lamp - applique**AP291 N1 EXT** INDOOR/OUTDOOR€ 580,00 vat not incl**AP291 B1 EXT** INDOOR/OUTDOOR

Edmondo Testaguzza design

2022

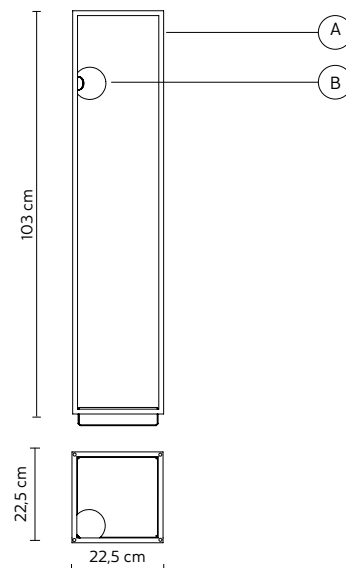
A - LAMP *corpo lampada* matt black aluminum - *alluminio nero opaco* **AP291 N1 EXT**
matt white aluminum - *alluminio bianco opaco* **AP291 B1 EXT****B - SHADE** *diffusore* white frosted glass - *vetro bianco satinato***OPTIONAL** *accessorio* power supply equipped - *alimentatore incluso***ELECTRICAL SYSTEM** *dispositivo elettrico* LED CC 350mA, 3,2W 410 lm 3000K, CRI≥90**PACKAGING** *imballo* 28x28x45 cm**NET WEIGHT** *peso netto* 1,4 KG **GROSS WEIGHT** *peso lordo* 2,6 KG**ABACHINA** floor lamp - piantana**HP291 N3 INT** INDOOR€ 945,00 vat not incl**HP291 B3 INT** INDOOR

Edmondo Testaguzza design

2022

A - LAMP *corpo lampada* matt black aluminum - *alluminio nero opaco* **HP291 N3 INT**
matt white aluminum - *alluminio bianco opaco* **HP291 B3 INT****B - SHADE** *diffusore* white frosted glass - *vetro bianco satinato***OPTIONAL** *accessorio* *charger equipped - *caricabatterie incluso*
tray - *vassoio* **pag.4****ELECTRICAL SYSTEM** *dispositivo elettrico* LED 2,6W 360 lm 3000K, CRI≥90, batteries 5V**PACKAGING** *imballo* 42x42x120 cm**NET WEIGHT** *peso netto* 4,6 KG **GROSS WEIGHT** *peso lordo* 6,6 KG

*rechargeable Li-ion batteries, autonomy 6hs

*(dimmable - *dimmerabile*)

ABACHINA floor lamp - piantana**HP291 N4 INT** INDOOR€ 925,00 vat not incl**HP291 B4 INT** INDOOR

Edmondo Testaguzza design

2022

A - LAMP *corpo lampada* matt black aluminum - *alluminio nero opaco* **HP291 N4 INT**
 matt white aluminum - *alluminio bianco opaco* **HP291 B4 INT**

B - SHADE *diffusore* white frosted glass - *vetro bianco satinato*

OPTIONAL *accessorio* *charger equipped - *caricabatterie incluso*
 tray - *vassoio* **pag.4**

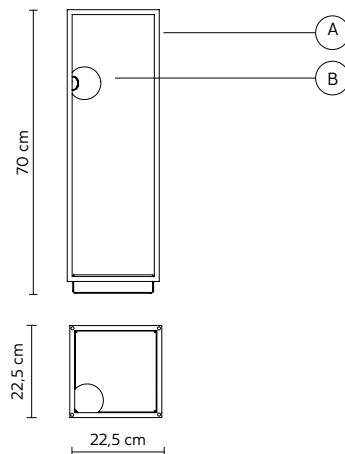
ELECTRICAL SYSTEM *dispositivo elettrico* LED 2,6W 360 lm 3000K, CRI≥90, batteries 5V

PACKAGING *imballo* 42x42x80 cm

NET WEIGHT *peso netto* 4,4 KG **GROSS WEIGHT** *peso lordo* 6,0 KG

*rechargeable Li-ion batteries, autonomy 6hs

*(dimnable - dimmerabile)

IP20   **ABACHINA** optional - accessorio**AC291 N1 EXT** INDOOR/OUTDOOR€ 75,00 vat not incl**AC291 B1 EXT** INDOOR/OUTDOOR

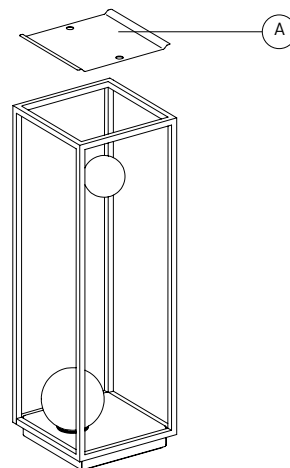
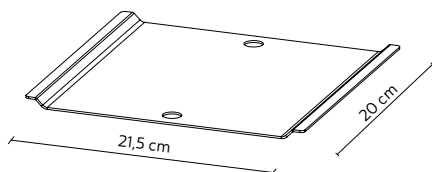
Edmondo Testaguzza design

2022

A - OPTIONAL *accessorio* matt black aluminum - *alluminio nero opaco* **AC291 N1 EXT**
 matt white aluminum - *alluminio bianco opaco* **AC291 B1 EXT**

PACKAGING *imballo* 23x23x31 cm

NET WEIGHT *peso netto* 0,5 KG **GROSS WEIGHT** *peso lordo* 0,9 KG

**ACCIPICCHIO** floor lamp - piantana**HP213 N1 INT** INDOOR - 3000K€ 1.125,00 vat not incl**HP213 N2 INT** INDOOR - 2700K

Matteo Ugolini design

2020

A - LAMP *corpo lampada* matt black aluminum - *alluminio nero opaco*

B - SHADE *diffusore* white frosted glass - *vetro bianco satinato*

ELECTRICAL CABLE *cavo elettrico* black 4 meters - *4 metri, nero*

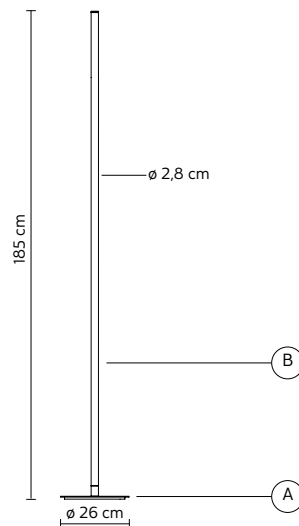
OPTIONAL *accessorio* power supply equipped - *alimentatore incluso*

ELECTRICAL SYSTEM *dispositivo elettrico* LED 24V, 60W*, 5000lm, CRI≥90

PACKAGING *imballo* A (36x36x24cm) + B (10x10x210cm)

NET WEIGHT *peso netto* A(4,4)+B(1,6)KG **GROSS WEIGHT** *peso lordo* A(5,2)+B(2,7)KG

*(foot dimmable switch - pedaliera dimmerabile)

IP20   

ACCIPICCHIO optional - accessorio

Matteo Ugolini design

2020

AC213 N3 INT INDOOR

€ 195,00 vat not incl

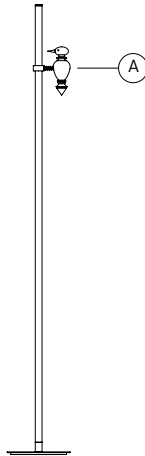
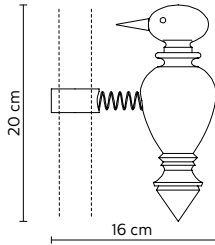
A - WOODPECKER *picchio*

matt white wood - legno bianco opaco

PACKAGING *imballo* 25x25x40 cm

NET WEIGHT *peso netto* 0,3 KG

GROSS WEIGHT *peso lordo* 0,5 KG



AC213 N4 INT INDOOR

€ 38,00 vat not incl

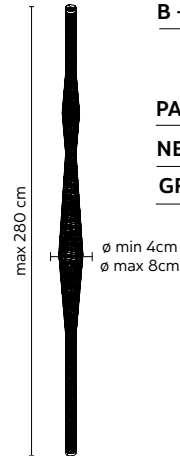
B - GRID *rete*

black polyethylene - polietilene nero

PACKAGING *imballo* 21x21x20 cm

NET WEIGHT *peso netto* 0,1 KG

GROSS WEIGHT *peso lordo* 0,5 KG



AGUA wall lamp - applique

Matteo Ugolini & Edmondo Testaguzza design

AP290 T1 EXT INDOOR/OUTDOOR

€ 485,00 vat not incl

AP290 S1 EXT INDOOR/OUTDOOR

€ 495,00 vat not incl

2022

A - LAMP *corpo lampada*

matt black aluminum - alluminio nero opaco

B - SHADE *diffusore*

transparent glass - vetro trasparente AP290 T1 EXT

frosted glass - vetro acidato AP290 S1 EXT

OPTIONAL *accessorio*

*power supply equipped - alimentatore incluso

ELECTRICAL SYSTEM *dispositivo elettrico*

LED CC 350mA, 3,2W, 410 lm, CRI≥90, 3000K

PACKAGING *imballo*

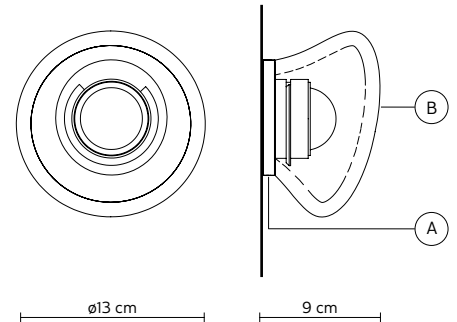
cm 21x21x20

NET WEIGHT *peso netto* 0,6 KG

GROSS WEIGHT *peso lordo* 1,0 KG

BEWARE: remote power supply installation

ATTENZIONE: installazione alimentatore a remoto



AGUA table lamp - lampada da tavolo

Matteo Ugolini & Edmondo Testaguzza design

CT290 T1 INT INDOOR

€ 550,00 vat not incl

CT290 S1 INT INDOOR

€ 560,00 vat not incl

2022

A - LAMP *corpo lampada*

matt black aluminum - alluminio nero opaco

B - SHADE *diffusore*

transparent glass - vetro trasparente CT290 T1 INT

frosted glass - vetro acidato CT290 S1 INT

C - ELECTRICAL CABLE *cavo elettrico*

black 2 meters - 2 metri nero

OPTIONAL *accessorio*

power supply equipped - alimentatore incluso

ELECTRICAL SYSTEM *dispositivo elettrico*

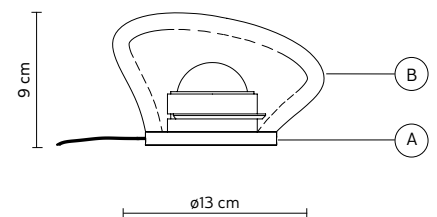
LED CC 350mA, 3,2W, 410 lm, CRI≥90, 3000K

PACKAGING *imballo*

cm 21x21x20

NET WEIGHT *peso netto* 0,8 KG

GROSS WEIGHT *peso lordo* 1,2 KG



AIRTEK ONE pendant - sospensione

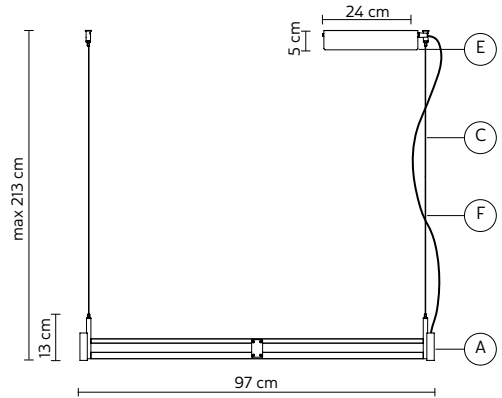
SE303 T1 INT INDOOR SE303 N1 INT INDOOR NEWS 2023

€ 890,00 vat not incl

Edmondo Testaguzza design

A - LAMP <i>corpo lampada</i>	semi-glossy aluminum - <i>alluminio semilucido</i> SE303T1 INT matt black aluminum - <i>alluminio nero opaco</i> SE303N1 INT
E - CEILING CUP <i>rosone</i>	matt black metal - <i>metallo nero opaco</i>
F - SUSPENSION CABLE <i>fune di sospensione</i>	steel 2 meters - <i>acciaio 2 metri</i>
C - ELECTRICAL CABLE <i>cavo elettrico</i>	black 2 meters - <i>2 metri nero</i>
OPTIONAL <i>accessorio</i>	power supply 30W+30W equipped - <i>alimentatore incluso</i> spotlight - <i>faretto</i> pag.8
ELECTRICAL SYSTEM <i>dispositivo elettrico</i>	24V, 15,5W 1800Lm, 3000K, CRI≥90
PACKAGING <i>imballo</i>	120x20x10 cm
NET WEIGHT <i>peso netto</i> 2,8 KG	GROSS WEIGHT <i>peso lordo</i> 4,8 KG

*(cut phase dimmable - dimmerabile taglio di fase)



AIRTEK ONE pendant - sospensione

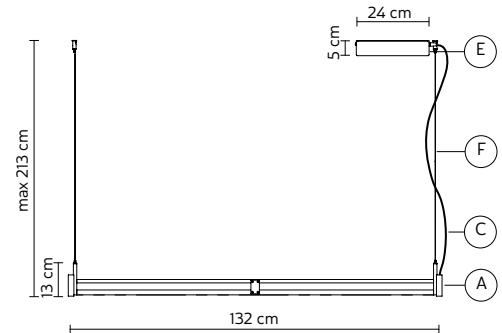
SE303 T2 INT INDOOR SE303 N2 INT INDOOR NEWS 2023

€ 970,00 vat not incl

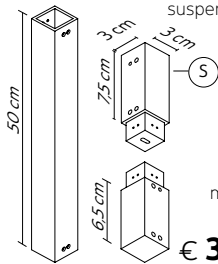
Edmondo Testaguzza design

A - LAMP <i>corpo lampada</i>	semi-glossy aluminum - <i>alluminio semilucido</i> SE303T2 INT matt black aluminum - <i>alluminio nero opaco</i> SE303N2 INT
E - CEILING CUP <i>rosone</i>	matt black metal - <i>metallo nero opaco</i>
F - SUSPENSION CABLE <i>fune di sospensione</i>	steel 2 meters - <i>acciaio 2 metri</i>
C - ELECTRICAL CABLE <i>cavo elettrico</i>	black 2 meters - <i>2 metri nero</i>
OPTIONAL <i>accessorio</i>	power supply 30W+30W equipped - <i>alimentatore incluso</i> spotlight - <i>faretto</i> pag.8
ELECTRICAL SYSTEM <i>dispositivo elettrico</i>	24V, 21,3W 2500Lm, 3000K, CRI≥90
PACKAGING <i>imballo</i>	160x20x10 cm
NET WEIGHT <i>peso netto</i> 3,4 KG	GROSS WEIGHT <i>peso lordo</i> 5,5 KG

*(cut phase dimmable - dimmerabile taglio di fase)



vertical joint - *giunto verticale*
suspension cable included

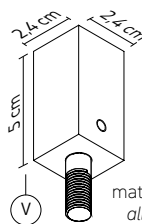


AC303TSINT
semi-glossy aluminum

AC303NSINT
matt black aluminum
alluminio nero opaco

€ 300,00 vat not incl

fixing accessory - *acc. plafoniera*
central - *centrale*

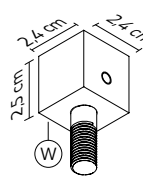


AC303TVINT
semi-glossy aluminum

AC303NVINT
matt black aluminum
alluminio nero opaco

€ 90,00 vat not incl

fixing accessory - *acc. plafoniera*
lateral - *laterale*

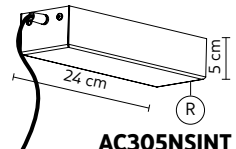


AC303TWINT
semi-glossy aluminum

AC303NWINT
matt black aluminum
alluminio nero opaco

€ 90,00 vat not incl

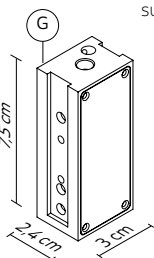
ceiling cup - *rosone*
p. supply 90W+50W included



AC305NSINT
matt black metal
metallo nero opaco

€ 290,00 vat not incl

linear joint - *giunto lineare*
suspension cable included

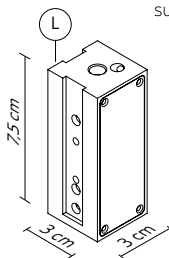


AC303TGINT
semi-glossy aluminum
alluminio semilucido

AC303NGINT
matt black aluminum
alluminio nero opaco

€ 150,00 vat not incl

angular joint - *giunto angolare*
suspension cable included

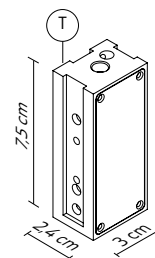


AC303TLINT
semi-glossy aluminum
alluminio semilucido

AC303NLINT
matt black aluminum
alluminio nero opaco

€ 150,00 vat not incl

triple joint - *giunto tripla*
suspension cable included

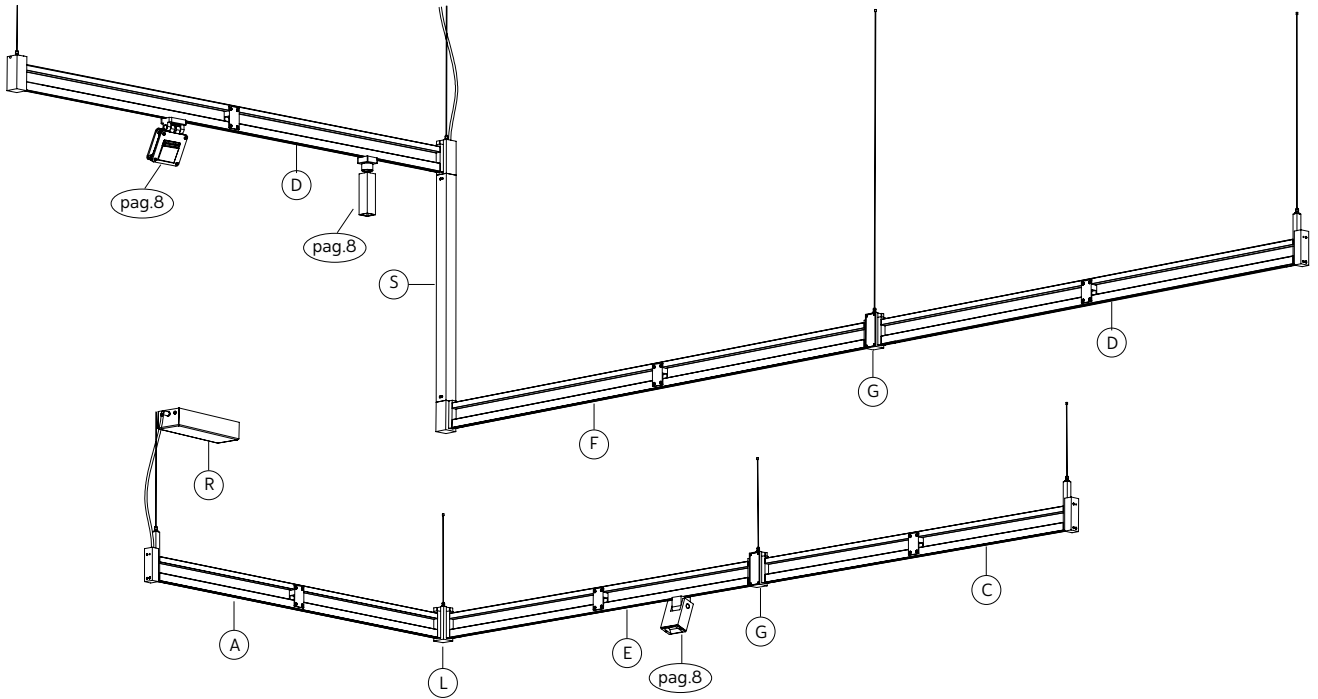


AC303TTINT
semi-glossy aluminum
alluminio semilucido

AC303NTINT
matt black aluminum
alluminio nero opaco

€ 150,00 vat not incl

AIRTEK ONE optional composition - accessorio composizione

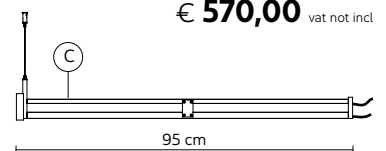


C - terminal bar semi-glossy aluminum - *alluminio semilucido* **AC303TCINT**
 matt black aluminum - *alluminio nero opaco* **AC303NCINT**

SUSPENSION CABLE *fune di sospensione* steel 2 meters - *acciaio 2 metri*

ELECTRICAL SYSTEM *dispositivo elettrico* 24V, 15,5W 1800Lm, 3000K, CRI≥90

PACKAGING *imballo* 120x20x10 cm

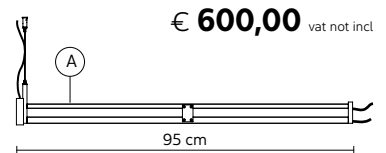


A - terminal bar with cables semi-glossy aluminum - *alluminio semilucido* **AC303TAINT**
 matt black aluminum - *alluminio nero opaco* **AC303NAINT**

SUSPENSION CABLE *fune di sospensione* steel 2 meters - *acciaio 2 metri*

ELECTRICAL SYSTEM *dispositivo elettrico* 24V, 15,5W 1800Lm, 3000K, CRI≥90

PACKAGING *imballo* 120x20x10 cm

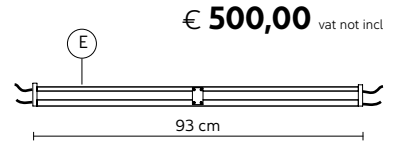


E - linear bar semi-glossy aluminum - *alluminio semilucido* **AC303TEINT**
 matt black aluminum - *alluminio nero opaco* **AC303NEINT**

SUSPENSION CABLE *fune di sospensione* steel 2 meters - *acciaio 2 metri*

ELECTRICAL SYSTEM *dispositivo elettrico* 24V, 15,5W 1800Lm, 3000K, CRI≥90

PACKAGING *imballo* 120x20x10 cm

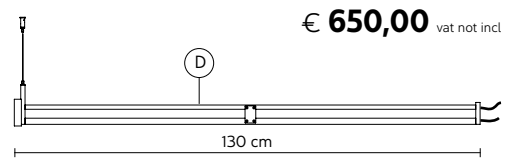


D - terminal bar semi-glossy aluminum - *alluminio semilucido* **AC303TDINT**
 matt black aluminum - *alluminio nero opaco* **AC303NDINT**

SUSPENSION CABLE *fune di sospensione* steel 2 meters - *acciaio 2 metri*

ELECTRICAL SYSTEM *dispositivo elettrico* 24V, 21,3W 2500Lm, 3000K, CRI≥90

PACKAGING *imballo* 160x20x10 cm

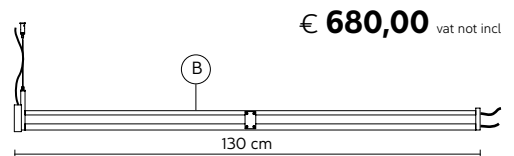


B - terminal bar with cables semi-glossy aluminum - *alluminio semilucido* **AC303TBINT**
 matt black aluminum - *alluminio nero opaco* **AC303NBINT**

SUSPENSION CABLE *fune di sospensione* steel 2 meters - *acciaio 2 metri*

ELECTRICAL SYSTEM *dispositivo elettrico* 24V, 21,3W 2500Lm, 3000K, CRI≥90

PACKAGING *imballo* 160x20x10 cm

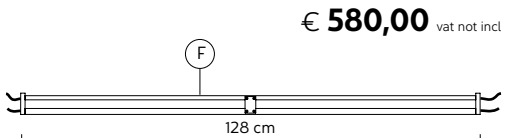


F - linear bar semi-glossy aluminum - *alluminio semilucido* **AC303TFINT**
 matt black aluminum - *alluminio nero opaco* **AC303NFINT**

SUSPENSION CABLE *fune di sospensione* steel 2 meters - *acciaio 2 metri*

ELECTRICAL SYSTEM *dispositivo elettrico* 24V, 21,3W 2500Lm, 3000K, CRI≥90

PACKAGING *imballo* 160x20x10 cm



AIRTEK ONE spotlight - faretto

Edmondo Testaguzza design

NEWS 2023

€ 330,00 vat not incl

6°
AC303T1 F06
AC303N1 F06

25°
AC303T1 F25
AC303N1 F25

40°
AC303T1 F40
AC303N1 F40

A - LAMP *corpo lampada*

semi-glossy aluminum - *alluminio semilucido* AC303 T1
matt black aluminum - *alluminio nero opaco* AC303 N1

ELECTRICAL SYSTEM *dispositivo elettrico*

LED 24V, 3W, 373 lm, 3000K, CRI≥90

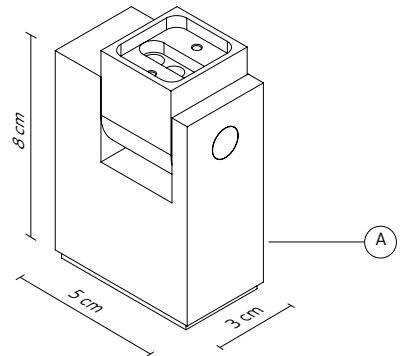
PACKAGING *imballo*

15x15x12 cm

NET WEIGHT *peso netto* 0,25 KG

GROSS WEIGHT *peso lordo* 1,2 KG

IP20  



AIRTEK ONE spotlight - faretto

Edmondo Testaguzza design

NEWS 2023

€ 450,00 vat not incl

6°
AC303T2 F06
AC303N2 F06

25°
AC303T2 F25
AC303N2 F25

40°
AC303T2 F40
AC303N2 F40

A - LAMP *corpo lampada*

semi-glossy aluminum - *alluminio semilucido* AC303 T2
matt black aluminum - *alluminio nero opaco* AC303 N2

ELECTRICAL SYSTEM *dispositivo elettrico*

LED 24V, 4,4W, 523 lm, 3000K, CRI≥90

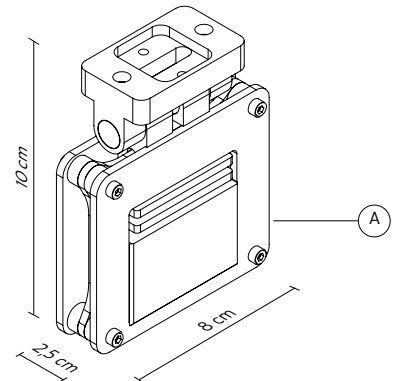
PACKAGING *imballo*

15x15x12 cm

NET WEIGHT *peso netto* 0,3 KG

GROSS WEIGHT *peso lordo* 1,5 KG

IP20  



AIRTEK ONE spotlight - faretto

Edmondo Testaguzza design

AC303T3 F19 INDOOR

AC303N3 F19 INDOOR

NEWS 2023

€ 260,00 vat not incl

A - LAMP *corpo lampada*

semi-glossy aluminum - *alluminio semilucido* AC303 T3 F19
matt black aluminum - *alluminio nero opaco* AC303 N3 F19

ELECTRICAL SYSTEM *dispositivo elettrico*



LED 24V, 2,9W, 351 lm, 3000K, CRI≥90

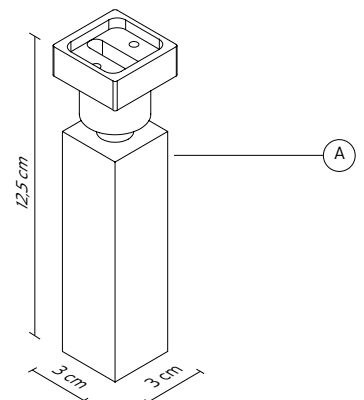
PACKAGING *imballo*

15x15x12 cm

NET WEIGHT *peso netto* 0,2 KG

GROSS WEIGHT *peso lordo* 1,0 KG

IP20  



ALÌ E BABÀ wall lamp - applique

Matteo Ugolini design

AP625 INDOOR**AP625B** INDOOR

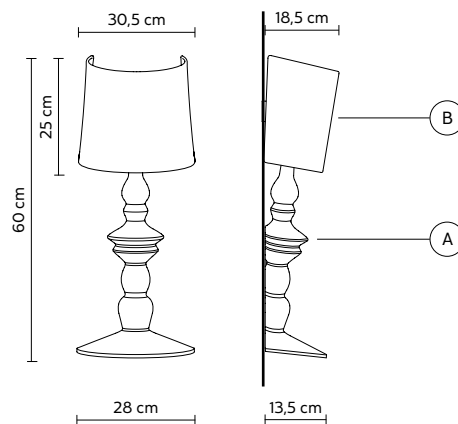
2009/2010

€ **560,00** vat not incl€ **700,00** vat not incl**A - LAMP** *corpo lampada*raw ceramic, paintable - *ceramica grezza verniciabile* **AP625**glossy white ceramic - *ceramica bianco lucido* **AP625B****B - LAMPSHADE** *paralume*raw ceramic, paintable - *ceramica grezza verniciabile* **AP625**glossy white ceramic - *ceramica bianco lucido* **AP625B****OPTIONAL** *accessorio*bulb not provided - *lampadina non inclusa***ELECTRICAL SYSTEM** *dispositivo elettrico*

E27, 1x max 52W

PACKAGING *imballo*

cm 65x61x30

NET WEIGHT *peso netto* 4 KG**GROSS WEIGHT** *peso lordo* 5,2 KG**ALÌ E BABÀ** wall lamp - applique

Matteo Ugolini design

AP625LS INDOOR**AP625CBS** INDOOR

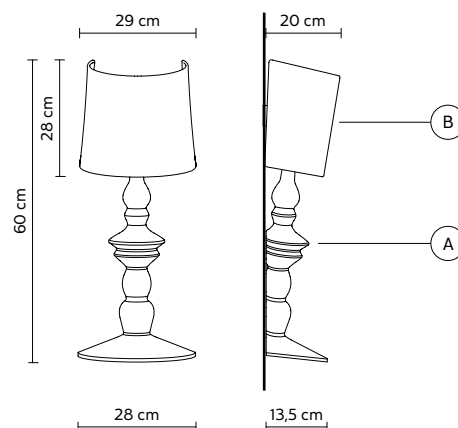
2009/2010

€ **500,00** vat not incl€ **640,00** vat not incl**A - LAMP** *corpo lampada*raw ceramic, paintable - *ceramica grezza verniciabile* **AP625LS**glossy white ceramic - *ceramica bianco lucido* **AP625CBS****B - LAMPSHADE** *paralume*white linen - *lino bianco***OPTIONAL** *accessorio*bulb not provided - *lampadina non inclusa***ELECTRICAL SYSTEM** *dispositivo elettrico*

E27, 1x max 52W

PACKAGING *imballo*

cm 65x61x30

NET WEIGHT *peso netto* 2,3 KG**GROSS WEIGHT** *peso lordo* 3,5 KG**ALÌ E BABÀ** table lamp - lampada da tavolo

Matteo Ugolini design

C1016BS INDOOR

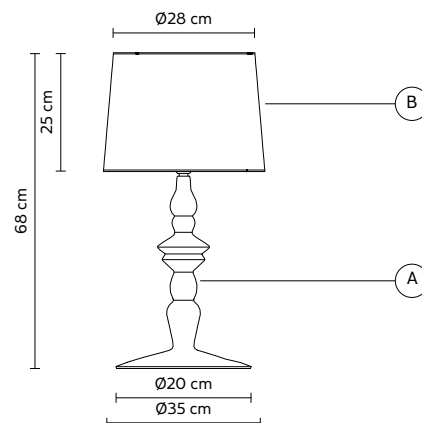
2009/2010

€ **450,00** vat not incl**A - LAMP** *corpo lampada*glossy white ceramic - *ceramica bianco lucido***B - LAMPSHADE** *paralume*white linen - *lino bianco***ELECTRICAL CABLE** *cavo elettrico*transparent 2 meters - *2 metri, trasparente***OPTIONAL** *accessorio*bulb not provided - *lampadina non inclusa***ELECTRICAL SYSTEM** *dispositivo elettrico*

E27, 1x max 70W

PACKAGING *imballo*

A (28x28x53 cm) + B (42x42x33 cm)

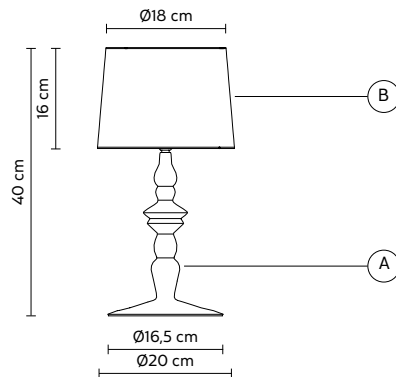
NET WEIGHT *peso netto* 3,2 KG**GROSS WEIGHT** *peso lordo* 4,6 KG

ALIBABABY table lamp - lampada da tavolo

Matteo Ugolini design

C1017BS INDOOR

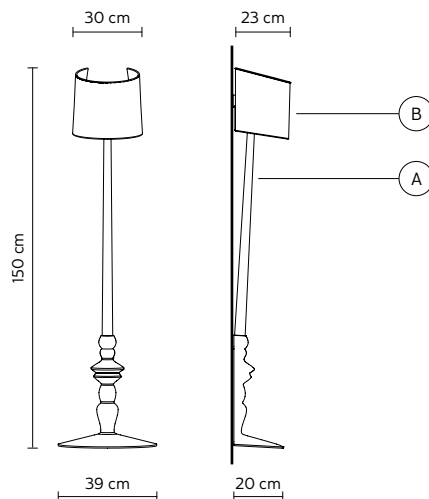
2011

€ **285,00** vat not incl**A - LAMP** *corpo lampada* glossy white ceramic - *ceramica bianco lucido***B - LAMPSHADE** *paralume* white linen - *lino bianco***ELECTRICAL CABLE** *cavo elettrico* transparent 2 meters - *2 metri, trasparente***OPTIONAL** *accessorio* bulb not provided - *lampadina non inclusa***ELECTRICAL SYSTEM** *dispositivo elettrico* E14, 1x max 42W**PACKAGING** *imballo* A (24x24x39 cm) + B (21x21x20 cm)**NET WEIGHT** *peso netto* 0,9 KG **GROSS WEIGHT** *peso lordo* 1,5 KG**ALÌ E BABÀ** floor lamp - piantana

Matteo Ugolini design

H6025CBS INDOOR

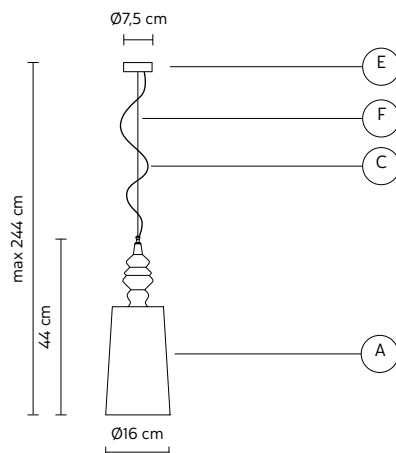
2009/2010

€ **900,00** vat not incl**A - LAMP** *corpo lampada* glossy white ceramic - *ceramica bianco lucido***B - LAMPSHADE** *paralume* white linen - *lino bianco***ELECTRICAL CABLE** *cavo elettrico* transparent 4 meters - *4 metri, trasparente***OPTIONAL** *accessorio* bulb not provided - *lampadina non inclusa***ELECTRICAL SYSTEM** *dispositivo elettrico* E27, 1x max 70W**PACKAGING** *imballo* 60x35x122 cm**NET WEIGHT** *peso netto* 3,3 KG **GROSS WEIGHT** *peso lordo* 8,8 KG**ALIBABABY** pendant - sospensione

Matteo Ugolini design

SE1017BC INDOOR

2011

€ **365,00** vat not incl**A - LAMPSHADE** *paralume* glossy white ceramic - *ceramica bianco lucido***E - CEILING CUP** *rosone* glossy white metal - *metallo bianco lucido***F - SUSPENSION CABLE** *fune di sospensione* steel 2 meters - *acciaio 2 metri***C - ELECTRICAL CABLE** *cavo elettrico* transparent 2 meters - *2 metri trasparente***OPTIONAL** *accessorio* bulb not provided - *lampadina non inclusa***ELECTRICAL SYSTEM** *dispositivo elettrico* E27, 1x max 52W**PACKAGING** *imballo* 28x28x53 cm**NET WEIGHT** *peso netto* 4,2 KG **GROSS WEIGHT** *peso lordo* 4,9 KG

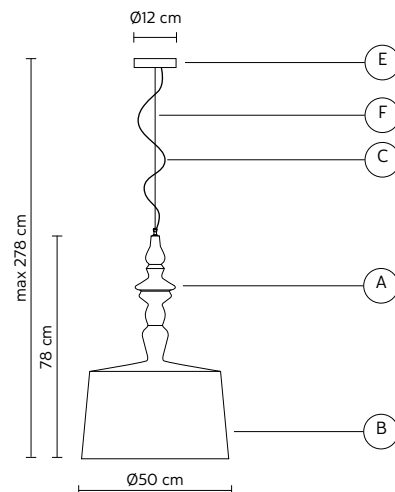
ALÌ E BABÀ pendant - sospensione

Matteo Ugolini design

SE16BC INDOOR
2009/2010

€ 960,00 vat not incl

A - LAMP <i>corpo lampada</i>	glossy white ceramic - <i>ceramica bianco lucido</i>
B - LAMPSHADE <i>paralume</i>	glossy white ceramic - <i>ceramica bianco lucido</i>
E - CEILING CUP <i>rosone</i>	glossy white metal - <i>metallo bianco lucido</i>
F - SUSPENSION CABLE <i>fune di sospensione</i>	steel 2 meters - <i>acciaio 2 metri</i>
C - ELECTRICAL CABLE <i>cavo elettrico</i>	transparent 2 meters - <i>2 metri trasparente</i>
OPTIONAL <i>accessorio</i>	bulb not provided - <i>lampadina non inclusa</i>
ELECTRICAL SYSTEM <i>dispositivo elettrico</i>	E27, 1x max 70W
PACKAGING <i>imballo</i>	A (50x50x70 cm) + B (62x62x50 cm)
NET WEIGHT <i>peso netto</i>	9 KG
GROSS WEIGHT <i>peso lordo</i>	17 KG



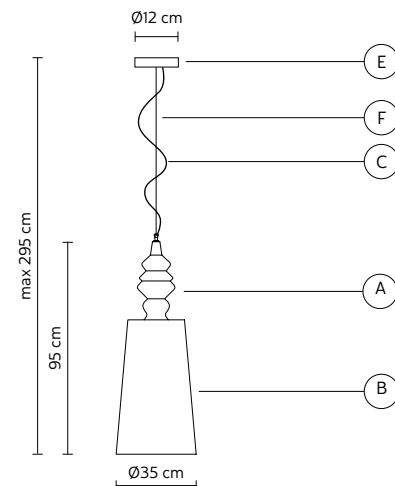
ALÌ E BABÀ pendant - sospensione

Matteo Ugolini design

SE17BC INDOOR
2009/2010

€ 930,00 vat not incl

A - LAMP <i>corpo lampada</i>	glossy white ceramic - <i>ceramica bianco lucido</i>
B - LAMPSHADE <i>paralume</i>	glossy white ceramic - <i>ceramica bianco lucido</i>
E - CEILING CUP <i>rosone</i>	glossy white metal - <i>metallo bianco lucido</i>
F - SUSPENSION CABLE <i>fune di sospensione</i>	steel 2 meters - <i>acciaio 2 metri</i>
C - ELECTRICAL CABLE <i>cavo elettrico</i>	transparent 2 meters - <i>2 metri trasparente</i>
OPTIONAL <i>accessorio</i>	bulb not provided - <i>lampadina non inclusa</i>
ELECTRICAL SYSTEM <i>dispositivo elettrico</i>	E27, 1x max 70W
PACKAGING <i>imballo</i>	A (28x28x53 cm) + B (50x50x70 cm)
NET WEIGHT <i>peso netto</i>	10 KG
GROSS WEIGHT <i>peso lordo</i>	15 KG



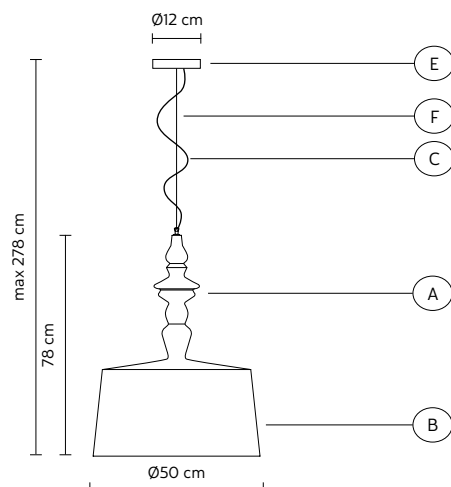
ALÌ E BABÀ pendant - sospensione

Matteo Ugolini design

SE18BS INDOOR
2009/2010

€ 725,00 vat not incl

A - LAMP <i>corpo lampada</i>	glossy white ceramic - <i>ceramica bianco lucido</i>
B - LAMPSHADE <i>paralume</i>	white linen - <i>lino bianco</i>
E - CEILING CUP <i>rosone</i>	glossy white metal - <i>metallo bianco lucido</i>
F - SUSPENSION CABLE <i>fune di sospensione</i>	steel 2 meters - <i>acciaio 2 metri</i>
C - ELECTRICAL CABLE <i>cavo elettrico</i>	transparent 2 meters - <i>2 metri trasparente</i>
OPTIONAL <i>accessorio</i>	bulb not provided - <i>lampadina non inclusa</i>
ELECTRICAL SYSTEM <i>dispositivo elettrico</i>	E27, 1x max 70W
PACKAGING <i>imballo</i>	A (50x50x70 cm) + B (62x62x40 cm)
NET WEIGHT <i>peso netto</i>	6,4 KG
GROSS WEIGHT <i>peso lordo</i>	9,5 KG



ALÌ E BABÀ pendant - sospensione

Matteo Ugolini design

SE619BS INDOOR

2009/2010

€ 590,00 vat not incl

A - LAMP *corpo lampada* glossy white ceramic - *ceramica bianco lucido*

B - LAMPSHADE *paralume* white linen - *lino bianco*

E - CEILING CUP *rosone* glossy white metal - *metallo bianco lucido*

F - SUSPENSION CABLE *fune di sospensione* steel 2 meters - *acciaio 2 metri*

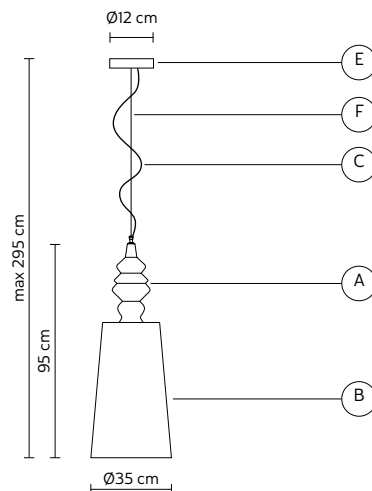
C - ELECTRICAL CABLE *cavo elettrico* transparent 2 meters - *2 metri trasparente*

OPTIONAL *accessorio* bulb not provided - *lampadina non inclusa*

ELECTRICAL SYSTEM *dispositivo elettrico* E27, 1x max 70W

PACKAGING *imballo* A (28x28x53 cm) + B (42x42x80 cm)

NET WEIGHT *peso netto* 2,6 KG **GROSS WEIGHT** *peso lordo* 5 KG



ALÌ E BABÀ pendant - sospensione

Matteo Ugolini design

SE622BS INDOOR

2009/2010

€ 530,00 vat not incl

A - LAMP *corpo lampada* glossy white ceramic - *ceramica bianco lucido*

B - LAMPSHADE *paralume* white linen - *lino bianco*

E - CEILING CUP *rosone* glossy white metal - *metallo bianco lucido*

F - SUSPENSION CABLE *fune di sospensione* steel 2 meters - *acciaio 2 metri*

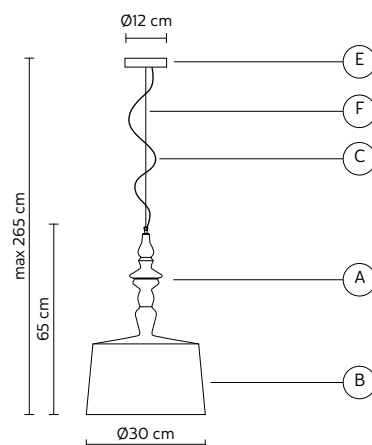
C - ELECTRICAL CABLE *cavo elettrico* transparent 2 meters - *2 metri trasparente*

OPTIONAL *accessorio* bulb not provided - *lampadina non inclusa*

ELECTRICAL SYSTEM *dispositivo elettrico* E27, 1x max 52W

PACKAGING *imballo* A (28x28x53 cm) + B (36x36x24 cm)

NET WEIGHT *peso netto* 4,2 KG **GROSS WEIGHT** *peso lordo* 5 KG



ALÌ E BABÀ pendant - sospensione

Matteo Ugolini design

SE623BS INDOOR

2009/2010

€ 530,00 vat not incl

A - LAMP *corpo lampada* glossy white ceramic - *ceramica bianco lucido*

B - LAMPSHADE *paralume* white linen - *lino bianco*

E - CEILING CUP *rosone* glossy white metal - *metallo bianco lucido*

F - SUSPENSION CABLE *fune di sospensione* steel 2 meters - *acciaio 2 metri*

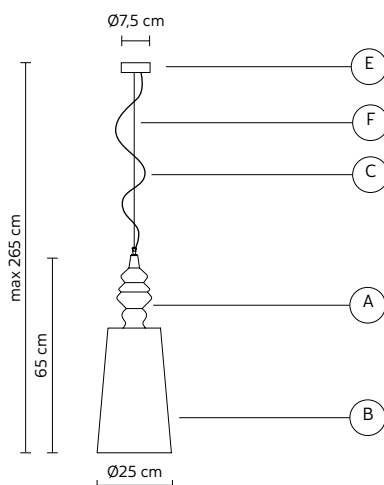
C - ELECTRICAL CABLE *cavo elettrico* transparent 2 meters - *2 metri trasparente*

OPTIONAL *accessorio* bulb not provided - *lampadina non inclusa*

ELECTRICAL SYSTEM *dispositivo elettrico* E27, 1x max 52W

PACKAGING *imballo* A (24x24x39 cm) + B (28x28x53 cm)

NET WEIGHT *peso netto* 2,4 KG **GROSS WEIGHT** *peso lordo* 2,9 KG



ALÌ E BABÀ pendant - sospensione

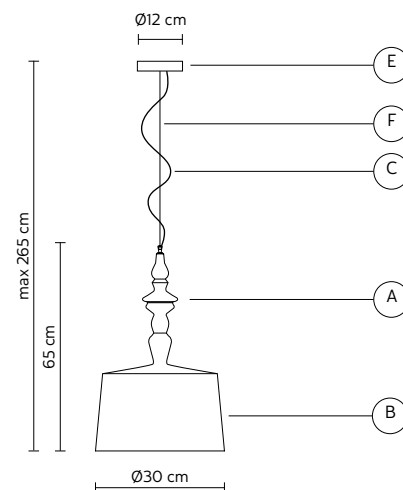
Matteo Ugolini design

SE624BC INDOOR

2009/2010

€ 590,00 vat not incl

A - LAMP <i>corpo lampada</i>	glossy white ceramic - <i>ceramica bianco lucido</i>
B - LAMPSHADE <i>paralume</i>	glossy white ceramic - <i>ceramica bianco lucido</i>
E - CEILING CUP <i>rosone</i>	glossy white metal - <i>metallo bianco lucido</i>
F - SUSPENSION CABLE <i>fune di sospensione</i>	steel 2 meters - <i>acciaio 2 metri</i>
C - ELECTRICAL CABLE <i>cavo elettrico</i>	transparent 2 meters - <i>2 metri trasparente</i>
OPTIONAL <i>accessorio</i>	bulb not provided - <i>lampadina non inclusa</i>
ELECTRICAL SYSTEM <i>dispositivo elettrico</i>	E27, 1x max 52W
PACKAGING <i>imballo</i>	A (28x28x53 cm) + B (42x42x33 cm)
NET WEIGHT <i>peso netto</i> 5,8 KG	GROSS WEIGHT <i>peso lordo</i> 8,1 KG



ALÌ E BABÀ pendant - sospensione

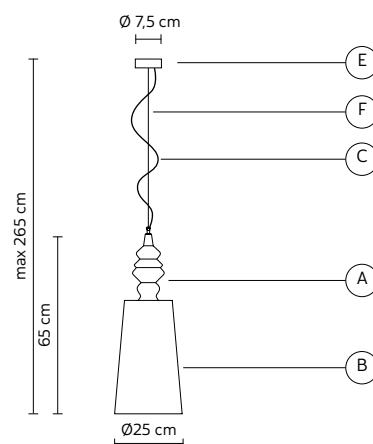
Matteo Ugolini design

SE625BC INDOOR

2009/2010

€ 590,00 vat not incl

A - LAMP <i>corpo lampada</i>	glossy white ceramic - <i>ceramica bianco lucido</i>
B - LAMPSHADE <i>paralume</i>	glossy white ceramic - <i>ceramica bianco lucido</i>
E - CEILING CUP <i>rosone</i>	glossy white metal - <i>metallo bianco lucido</i>
F - SUSPENSION CABLE <i>fune di sospensione</i>	steel 2 meters - <i>acciaio 2 metri</i>
C - ELECTRICAL CABLE <i>cavo elettrico</i>	transparent 2 meters - <i>2 metri trasparente</i>
OPTIONAL <i>accessorio</i>	bulb not provided - <i>lampadina non inclusa</i>
ELECTRICAL SYSTEM <i>dispositivo elettrico</i>	E27, 1x max 52W
PACKAGING <i>imballo</i>	A (24x24x39 cm) + B (28x28x53 cm)
NET WEIGHT <i>peso netto</i> 5,2 KG	GROSS WEIGHT <i>peso lordo</i> 9,5 KG



ALIBABIG floor lamp - piantana

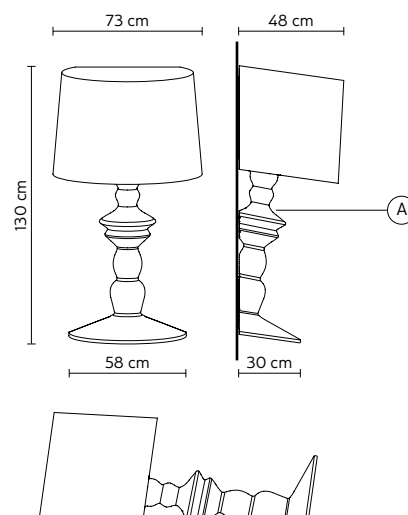
Matteo Ugolini design

H625V-INT INDOOR

2012

€ 2.250,00 vat not incl

A - LAMP <i>corpo lampada</i>	white fiberglass - <i>vetroresina bianca</i>
C - ELECTRICAL CABLE <i>cavo elettrico</i>	transparent, 4 meters - <i>4 metri, trasparente</i>
ELECTRICAL SYSTEM <i>dispositivo elettrico</i>	E27, 4x max 23W, class from E to A++
OPTIONAL <i>accessorio</i>	bulbs equipped - <i>lampadine incluse</i>
BULBS <i>lampadine</i>	4 x (E27 led, 10W, 900lm, 2700K)
PACKAGING <i>imballo</i>	cm 62x75x139
NET WEIGHT <i>peso netto</i> 11 KG	GROSS WEIGHT <i>peso lordo</i> 16,1 KG



ALIBABIG pendant - sospensione

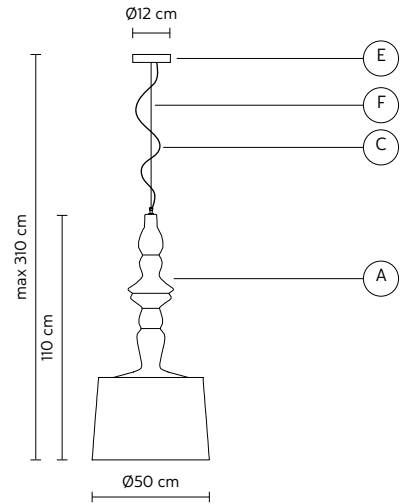
Matteo Ugolini design

SE616V-INT INDOOR

2012

€ 1.415,00 vat not incl

A - LAMP <i>corpo lampada</i>	white fiberglass - vetroresina bianca
E - CEILING CUP <i>rosone</i>	glossy white metal - metallo bianco lucido
F - SUSPENSION CABLE <i>fune di sospensione</i>	steel 2 meters - acciaio 2 metri
C - ELECTRICAL CABLE <i>cavo elettrico</i>	transparent 2 meters - 2 metri trasparente
ELECTRICAL SYSTEM <i>dispositivo elettrico</i>	E27,(1xmax42W)+(1xmax105W),class from E to A++
OPTIONAL <i>accessorio</i>	bulb equipped - lampadina inclusa
BULB <i>lampadina</i>	2x(E27 led, 10W, 900lm 2700K)
PACKAGING <i>imballo</i>	55x55x128 cm
NET WEIGHT <i>peso netto</i> 5,1 KG	GROSS WEIGHT <i>peso lordo</i> 10,5 KG

**ALIBABIG** pendant - sospensione

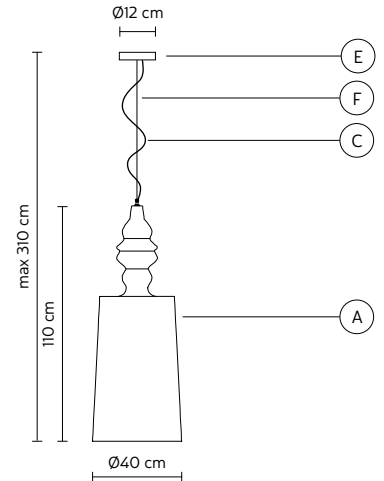
Matteo Ugolini design

SE617V-INT INDOOR

2012

€ 1.450,00 vat not incl

A - LAMP <i>corpo lampada</i>	white fiberglass - vetroresina bianca
E - CEILING CUP <i>rosone</i>	glossy white metal - metallo bianco lucido
F - SUSPENSION CABLE <i>fune di sospensione</i>	steel 2 meters - acciaio 2 metri
C - ELECTRICAL CABLE <i>cavo elettrico</i>	transparent 2 meters - 2 metri trasparente
ELECTRICAL SYSTEM <i>dispositivo elettrico</i>	E27,(1xmax42W)+(1xmax105W),class from E to A++
OPTIONAL <i>accessorio</i>	bulb equipped - lampadina inclusa
BULB <i>lampadina</i>	2x(E27 led, 10W, 900lm 2700K)
PACKAGING <i>imballo</i>	55x55x128 cm
NET WEIGHT <i>peso netto</i> 5,6 KG	GROSS WEIGHT <i>peso lordo</i> 10,1 KG

**AMARCORD** wall lamp - applique

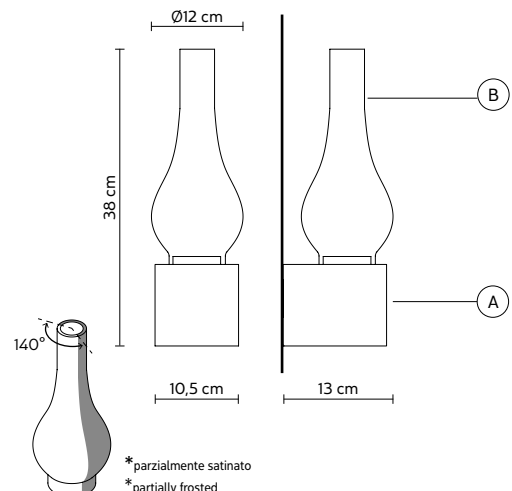
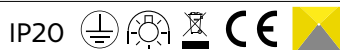
Matteo Ugolini design

AP121 1B INT INDOOR**AP121 BF INT** INDOOR**AP121 BS INT** INDOOR

2006/2018

€ 475,00 vat not incl

A - LAMP <i>corpo lampada</i>	white concrete - cemento bianco
B - LAMPSHADE <i>paralume</i>	transparent glass - vetro trasparente AP121 1B INT smoked glass - vetro fumè AP121 BF INT frosted glass* - vetro satinato* AP121 BS INT
ELECTRICAL SYSTEM <i>dispositivo elettrico</i>	E27, 1x max 52W
OPTIONAL <i>accessorio</i>	bulb not provided - lampadina non inclusa 700P pag. 136
PACKAGING <i>imballo</i>	A (21x21x20 cm) + B (24x24x39 cm)
NET WEIGHT <i>peso netto</i> 2,2 KG	GROSS WEIGHT <i>peso lordo</i> 2,8 KG



* parzialmente satinato
* partially frosted

AMARCORD wall lamp - applique

AP121 GT INT INDOOR

€ 475,00 vat not incl

AP121 1G INT INDOOR

AP121 GS INT INDOOR

Matteo Ugolini design

2006/2018

A - LAMP *corpo lampada* grey concrete - cemento grigio

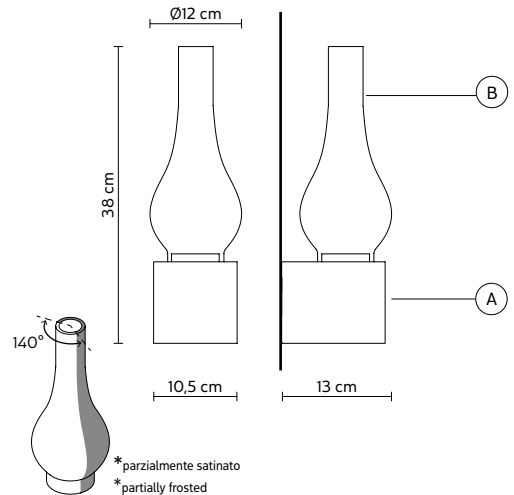
B - LAMPSHADE *paralume* transparent glass - vetro trasparente **AP121 GT INT**
smoked glass - vetro fumè **AP121 1G INT**
frosted glass* - vetro satinato* **AP121 GS INT**

ELECTRICAL SYSTEM *dispositivo elettrico* E27, 1x max 52W

OPTIONAL *accessorio* bulb not provided - lampadina non inclusa **700P** pag. 136

PACKAGING *imballo* A (21x21x20 cm) + B (24x24x39 cm)

NET WEIGHT *peso netto* 2,2 KG **GROSS WEIGHT** *peso lordo* 2,8 KG



AMARCORD table lamp - lampada da tavolo

CT121 1B INT INDOOR

€ 450,00 vat not incl

CT121 BF INT INDOOR

CT121 BS INT INDOOR

Matteo Ugolini design

2006/2018

A - LAMP *corpo lampada* white concrete - cemento bianco

B - LAMPSHADE *paralume* transparent glass - vetro trasparente **CT121 1B INT**
smoked glass - vetro fumè **CT121 BF INT**
frosted glass* - vetro satinato* **CT121 BS INT**

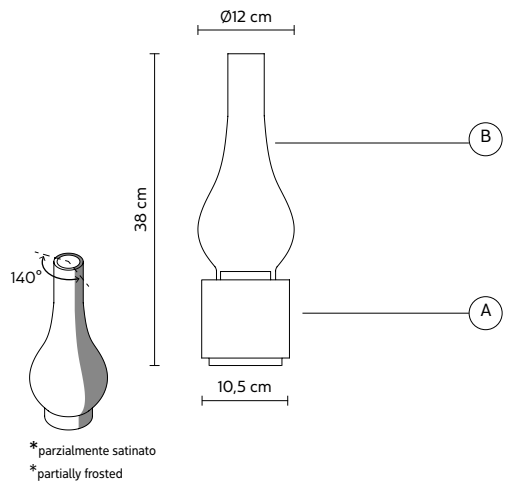
C - ELECTRICAL CABLE *cavo elettrico* transparent 2 meters - 2 metri trasparente

ELECTRICAL SYSTEM *dispositivo elettrico* E27, 1x max 52W

OPTIONAL *accessorio* bulb not provided - lampadina non inclusa **700P** pag. 136

PACKAGING *imballo* A (21x21x20 cm) + B (24x24x39 cm)

NET WEIGHT *peso netto* 1,9 KG **GROSS WEIGHT** *peso lordo* 2,2 KG



AMARCORD table lamp - lampada da tavolo

CT121 GT INT INDOOR

€ 450,00 vat not incl

CT121 1G INT INDOOR

CT121 GS INT INDOOR

Matteo Ugolini design

2006/2018

A - LAMP *corpo lampada* grey concrete - cemento grigio

B - LAMPSHADE *paralume* transparent glass - vetro trasparente **CT121 GT INT**
smoked glass - vetro fumè **CT121 1G INT**
frosted glass* - vetro satinato* **CT121 GS INT**

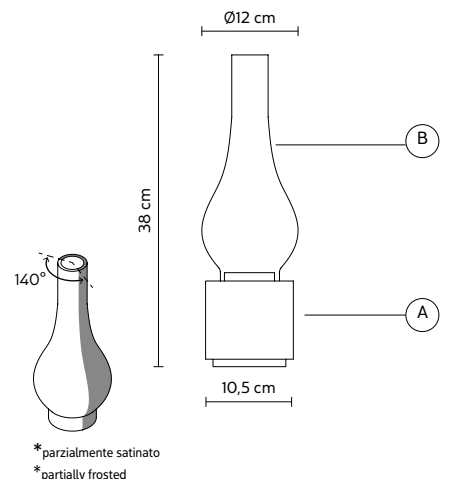
C - ELECTRICAL CABLE *cavo elettrico* transparent 2 meters - 2 metri trasparente

ELECTRICAL SYSTEM *dispositivo elettrico* E27, 1x max 52W

OPTIONAL *accessorio* bulb not provided - lampadina non inclusa **700P** pag. 136

PACKAGING *imballo* A (21x21x20 cm) + B (24x24x39 cm)

NET WEIGHT *peso netto* 1,9 KG **GROSS WEIGHT** *peso lordo* 2,2 KG

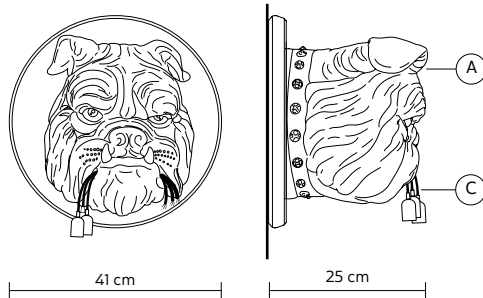


AMSTERDAM wall lamp - applique**AP191 BA INT** INDOOR€ 500,00 vat not incl**AP191 BB INT** INDOOR€ 530,00 vat not incl

Matteo Ugolini design

2019

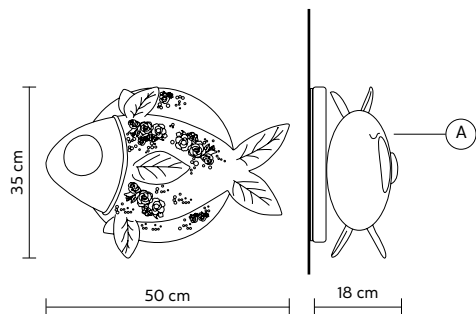
A - LAMP <i>corpo lampada</i>	matt white ceramic - <i>ceramica bianca opaca</i> AP191 BA INT matt grey ceramic - <i>ceramica grigia opaca</i> AP191 BB INT
C - ELECTRICAL CABLE <i>cavo elettrico</i>	white fabric cable - <i>bianco telato</i> AP191 BA INT black fabric cable - <i>nero telato</i> AP191 BB INT
ELECTRICAL SYSTEM <i>dispositivo elettrico</i>	E27, 3x max 10W led
OPTIONAL <i>accessorio</i>	bulbs not provided - <i>lampadina non inclusa</i>
BULBS <i>lampadine</i>	only plastic bulbs - <i>solo lampadine in plastica</i> 700U pag. 136
PACKAGING <i>imballo</i>	51x51x32 cm
NET WEIGHT <i>peso netto</i> 4,8 KG	GROSS WEIGHT <i>peso lordo</i> 6,1 KG

IP20     **APRILE** wall lamp - applique**AP132 1B INT** INDOOR€ 570,00 vat not incl

Matteo Ugolini design

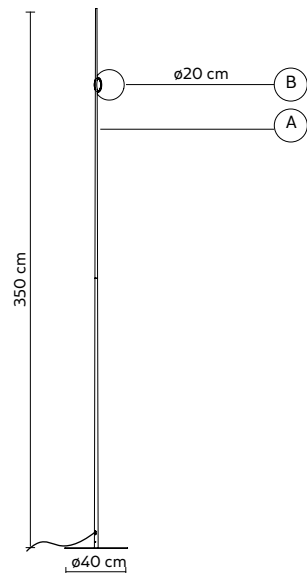

2016

A - LAMP <i>corpo lampada</i>	matt white ceramic - <i>ceramica bianca opaca</i>
ELECTRICAL SYSTEM <i>dispositivo elettrico</i>	E27, 1x max 52W
OPTIONAL <i>accessorio</i>	bulb not provided - <i>lampadina non inclusa</i>
BULBS <i>lampadine</i>	bulb not provided - <i>lampadina non inclusa</i> 700B pag. 136
PACKAGING <i>imballo</i>	cm 70x46x36
NET WEIGHT <i>peso netto</i> 4 KG	GROSS WEIGHT <i>peso lordo</i> 6 KG

IP20     **ATMOSPHERE** floor lamp - piantana**HP302AB INT** INDOOR€ 1.300,00 vat not incl**HP302AN INT** INDOOR**NEWS 2023**

Matteo Ugolini design

A - LAMP <i>corpo lampada</i>	matt white glass fiber - <i>fibra di vetro bianco opaco</i> HP302AB INT matt black glass fiber - <i>fibra di vetro nero opaco</i> HP302AN INT
B - LAMP <i>diffusore</i>	matt white PMMA - <i>PMMA bianco opaco</i>
C - ELECTRICAL CABLE <i>cavo elettrico</i>	black 4 meters - <i>4 metri nero</i>
ELECTRICAL SYSTEM <i>dispositivo elettrico</i>	E27, 1x max 18W LED
OPTIONAL <i>accessorio</i>	bulb not provided - <i>lampadina non inclusa</i>
PACKAGING <i>imballo</i>	A (220x20x15)+ B(50x50x32) cm
NET WEIGHT <i>peso netto</i> 5,1 KG	GROSS WEIGHT <i>peso lordo</i> 6,7 KG

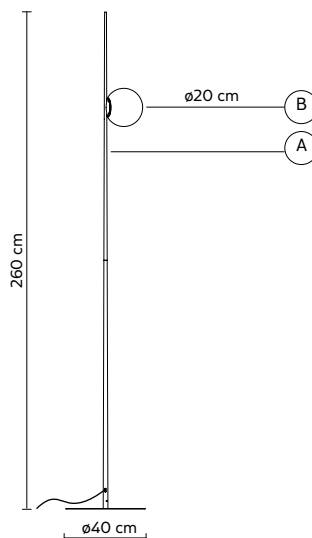
IP20    

ATMOSPHERE floor lamp – piantana**HP302BB INT** INDOOR€ 1.200,00 vat not incl**HP302BN INT** INDOOR

Matteo Ugolini design

NEWS 2023**A - LAMP** *corpo lampada* matt white glass fiber – *fibra di vetro bianco opaco* **HP302BB INT**
matt black glass fiber – *fibra di vetro nero opaco* **HP302BN INT****B - LAMP** *diffusore* matt white PMMA – *PMMA bianco opaco***C - ELECTRICAL CABLE** *cavo elettrico* black 4 meters – *4 metri nero***ELECTRICAL SYSTEM** *dispositivo elettrico* E27, 1x max 18W LED**OPTIONAL** *accessorio* bulb not provided – *lampadina non inclusa***PACKAGING** *imballo* A (220x20x15)+ B(50x50x32) cm**NET WEIGHT** *peso netto* 4,3 KG **GROSS WEIGHT** *peso lordo* 5,9 KG

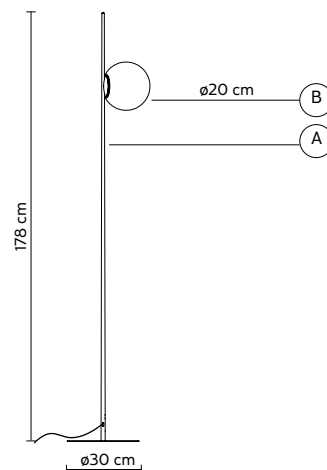
IP20

**ATMOSPHERE** floor lamp – piantana**HP302CB INT** INDOOR€ 900,00 vat not incl**HP302CN INT** INDOOR

Matteo Ugolini design

NEWS 2023**A - LAMP** *corpo lampada* matt white glass fiber – *fibra di vetro bianco opaco* **HP302CB INT**
matt black glass fiber – *fibra di vetro nero opaco* **HP302CN INT****B - LAMP** *diffusore* matt white PMMA – *PMMA bianco opaco***C - ELECTRICAL CABLE** *cavo elettrico* black 4 meters – *4 metri nero***ELECTRICAL SYSTEM** *dispositivo elettrico* E27, 1x max 18W LED**OPTIONAL** *accessorio* bulb not provided – *lampadina non inclusa***PACKAGING** *imballo* A (220x20x15)+ B(42x42x30) cm**NET WEIGHT** *peso netto* 3,5 KG **GROSS WEIGHT** *peso lordo* 5,1 KG

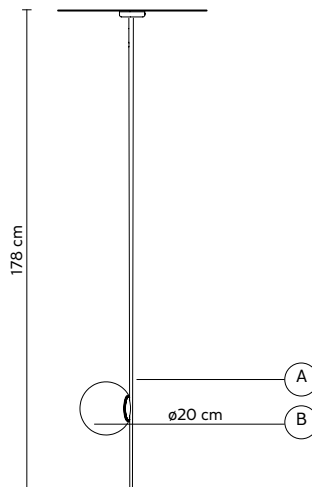
IP20

**ATMOSPHERE** ceiling lamp – plafoniera**PL302CB EXT** INDOOR€ 900,00 vat not incl**PL302CN EXT** INDOOR

Matteo Ugolini design

NEWS 2023**A - LAMP** *corpo lampada* matt white glass fiber – *fibra di vetro bianco opaco* **PL302CB EXT**
matt black glass fiber – *fibra di vetro nero opaco* **PL302CN EXT****B - LAMP** *diffusore* matt white PMMA – *PMMA bianco opaco***ELECTRICAL SYSTEM** *dispositivo elettrico* E27, 1x max 18W LED**OPTIONAL** *accessorio* bulb not provided – *lampadina non inclusa***PACKAGING** *imballo* A (220x20x15)+ B(42x42x30) cm**NET WEIGHT** *peso netto* 2,0 KG **GROSS WEIGHT** *peso lordo* 3,5 KG

IP20



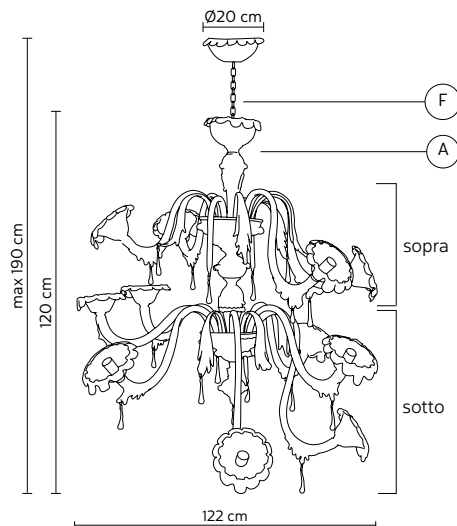
AU REVOIR pendant - sospensione**SE110 AB INT** INDOOR€ 10.385,00 vat not incl

Matteo Ugolini design

2015

A - LAMP *corpo lampada* white opalinen glass - vetro bianco opalino**F - SUSPENSION CHAIN** *catena di sospensione* steel 0,7 meters - acciaio 0,7 metri**ELECTRICAL CABLE** *cavo elettrico* transparent 1 meter - 1 metro trasparente**ELECTRICAL SYSTEM** *dispositivo elettrico* E14, 11 x max 42W**OPTIONAL** *accessorio* bulb not provided - lampadina non inclusa **700C** pag. 137**ELEMENTS UP** *elementi sopra*SE110 0B INT n. 1
SE110 1B INT n. 2
SE110 2B INT n. 2
AC110 1B INT n. 4
AC110 2B INT n. 2
AC110 3B INT n. 7**ELEMENTS BOTTOM** *elementi sotto*SE110 3B INT n. 3
SE110 4B INT n. 2
SE110 5B INT n. 2
AC110 1B INT n. 4
AC110 2B INT n. 1
AC110 3B INT n. 8**PACKAGING** *imballo* 80x120x160 cm**NET WEIGHT** *peso netto* 23,5 KG **GROSS WEIGHT** *peso lordo* 50 KG

IP20

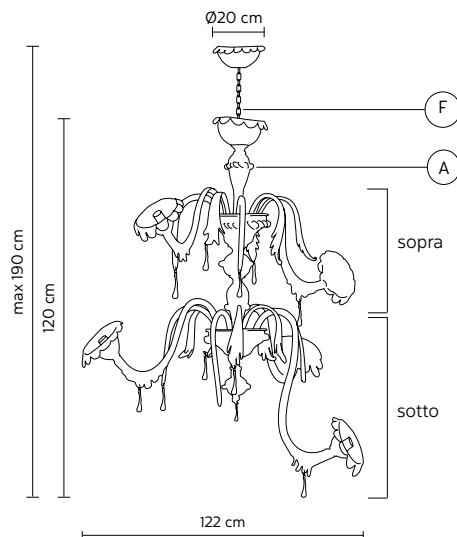
**AU REVOIR** pendant - sospensione**SE110 BB INT** INDOOR€ 7.387,00 vat not incl

Matteo Ugolini design

2015

A - LAMP *corpo lampada* white opalinen glass - vetro bianco opalino**F - SUSPENSION CHAIN** *catena di sospensione* steel 0,7 meters - acciaio 0,7 metri**ELECTRICAL CABLE** *cavo elettrico* transparent 1 meter - 1 metro trasparente**ELECTRICAL SYSTEM** *dispositivo elettrico* E14, 5 x max 42W**OPTIONAL** *accessorio* bulb not provided - lampadina non inclusa **700C** pag. 137**ELEMENTS UP** *elementi sopra*SE110 0B INT n. 1
SE110 1B INT n. 1
SE110 2B INT n. 1
AC110 1B INT n. 3
AC110 2B INT n. 2
AC110 3B INT n. 4**ELEMENTS BOTTOM** *elementi sotto*SE110 3B INT n. 1
SE110 4B INT n. 1
SE110 5B INT n. 1
AC110 1B INT n. 5
AC110 2B INT n. 3
AC110 3B INT n. 7**PACKAGING** *imballo* 80x120x160 cm**NET WEIGHT** *peso netto* 15,4 KG **GROSS WEIGHT** *peso lordo* 40 KG

IP20

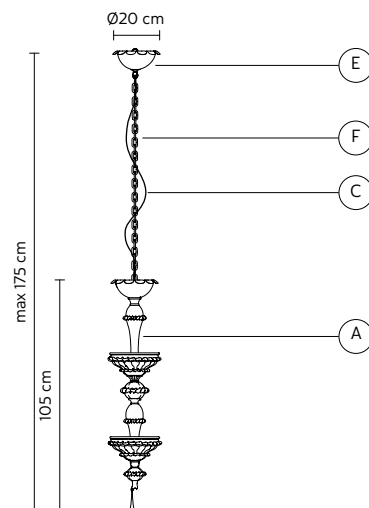
**AU REVOIR** pendant - sospensione**SE110 0B INT** INDOOR€ 2.590,00 vat not incl

Matteo Ugolini design

2015

A - LAMP *corpo lampada* white opalinen glass - vetro bianco opalino**E - CEILING CUP** *rosone* white opalinen glass - vetro bianco opalino**F - SUSPENSION CHAIN** *catena di sospensione* steel 0,7 meters - acciaio 0,7 metri**C - ELECTRICAL CABLE** *cavo elettrico* transparent 1 meter - 1 metro trasparente**OPTIONAL** *accessorio* pag. 17**PACKAGING** *imballo* 40x40x110 cm**NET WEIGHT** *peso netto* 7 KG **GROSS WEIGHT** *peso lordo* 9 KG

IP20

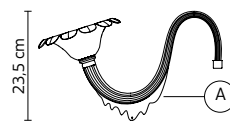
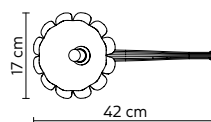


AU REVOIR element for composition **SE110 1B INT** INDOOR

Matteo Ugolini design

2015

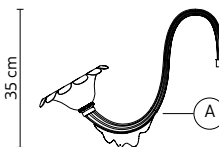
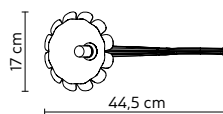
€ 525,00 vat not incl

A - LAMP *corpo lampada* white opalinen glass - *vetro bianco opalino***ELECTRICAL SYSTEM** *dispositivo elettrico* E14, 1 x max 42W**OPTIONAL** *accessorio* bulb not provided - *lampadina non inclusa* **700C** pag. 137**NET WEIGHT** *peso netto* 1,2 KG**AU REVOIR** element for composition **SE110 2B INT** INDOOR

Matteo Ugolini design

2015

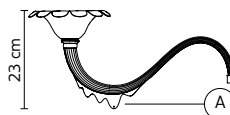
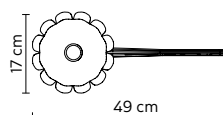
€ 525,00 vat not incl

A - LAMP *corpo lampada* white opalinen glass - *vetro bianco opalino***ELECTRICAL SYSTEM** *dispositivo elettrico* E14, 1 x max 42W**OPTIONAL** *accessorio* bulb not provided - *lampadina non inclusa* **700C** pag. 137**NET WEIGHT** *peso netto* 1,25 KG**AU REVOIR** element for composition **SE110 3B INT** INDOOR

Matteo Ugolini design

2015

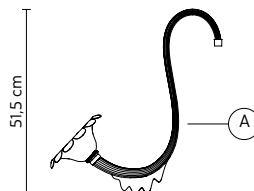
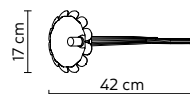
€ 525,00 vat not incl

A - LAMP *corpo lampada* white opalinen glass - *vetro bianco opalino***ELECTRICAL SYSTEM** *dispositivo elettrico* E14, 1 x max 42W**OPTIONAL** *accessorio* bulb not provided - *lampadina non inclusa* **700C** pag. 137**NET WEIGHT** *peso netto* 1,2 KG**AU REVOIR** element for composition **SE110 4B INT** INDOOR

Matteo Ugolini design

2015

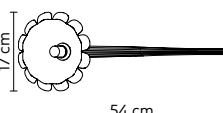
€ 525,00 vat not incl

A - LAMP *corpo lampada* white opalinen glass - *vetro bianco opalino***ELECTRICAL SYSTEM** *dispositivo elettrico* E14, 1 x max 42W**OPTIONAL** *accessorio* bulb not provided - *lampadina non inclusa* **700C** pag. 137**NET WEIGHT** *peso netto* 1,35 KG**AU REVOIR** element for composition **SE110 5B INT** INDOOR

Matteo Ugolini design

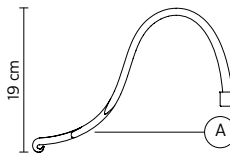
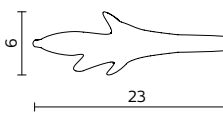
2015

€ 525,00 vat not incl

A - LAMP *corpo lampada* white opalinen glass - *vetro bianco opalino***ELECTRICAL SYSTEM** *dispositivo elettrico* E14, 1 x max 42W**OPTIONAL** *accessorio* bulb not provided - *lampadina non inclusa* **700C** pag. 137**NET WEIGHT** *peso netto* 1,25 KG**AU REVOIR** **AC110 1B INT** INDOOR € 140,00 vat not incl

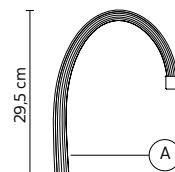
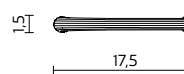
Matteo Ugolini design

2015

A - LEAF *foglia* white opalinen glass - *vetro bianco opalino***NET WEIGHT** *peso netto* 0,2 KG**AU REVOIR** **AC110 2B INT** INDOOR € 140,00 vat not incl

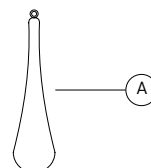
Matteo Ugolini design

2015

A - BRACH *ramo* white opalinen glass - *vetro bianco opalino***NET WEIGHT** *peso netto* 0,15 KG**AU REVOIR** **AC110 3B INT** INDOOR € 32,00 vat not incl

Matteo Ugolini design

2015

A - DROP *goccia* white opalinen glass - *vetro bianco opalino***NET WEIGHT** *peso netto* 0,02 KG

BACCO table lamp - lampada da tavolo **CT143 1B INT** INDOOR - **3000K**
CT143 2B INT INDOOR - **2700K**

€ 345,00 vat not incl

Matteo Ugolini design

2017

A - LAMP *corpo lampada* frosted white glass - *vetro bianco satinato*

B - LOGO nickel-plate metal - *metallo nichelato*

C - REMOVABLE BASE *base rimovibile* aluminum - *alluminio*

ELECTRICAL SYSTEM *dispositivo elettrico* LED 3,3W, 250lm, CRI≥80, batteries 4,8Vdc*

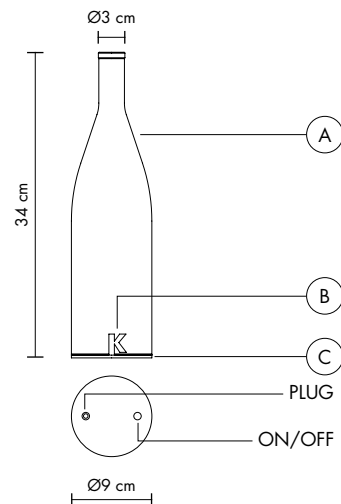
OPTIONAL *accessorio* recharger equipped - *caricabatterie incluso*

basket - *cestino "PERBACCO"* **AC143 2G INT** pag.20
 recharger - *carica batterie 12 plugs* **AC143 3B INT** pag.20

PACKAGING *imballo* 12x12x58 cm

NET WEIGHT *peso netto* 0,65 KG **GROSS WEIGHT** *peso lordo* 1,2 KG

*autonomy 6 hs - *autonomia 6 ore*



PERBACCO basket - cestino **AC143 2G INT** INDOOR

€ 115,00 vat not incl

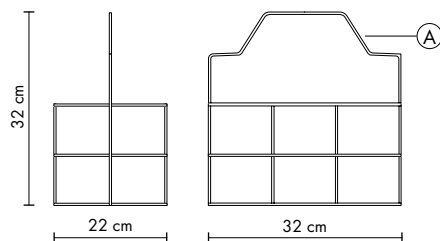
Matteo Ugolini design

2017

A - BASKET *cestino* light grey rod of iron - *tondino in ferro grigio chiaro*

PACKAGING *imballo* 36x36x24 cm

NET WEIGHT *peso netto* 1,3 KG **GROSS WEIGHT** *peso lordo* 1,9 KG



PERBACCO recharger - *caricabatterie* **AC143 3B INT** INDOOR

€ 450,00 vat not incl

Matteo Ugolini design

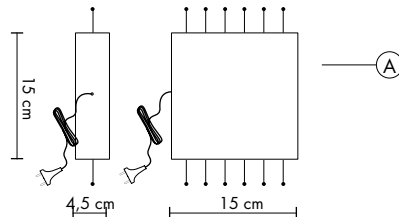
2017

A - CASE white plastic - *plastica bianca*

ELECTRICAL SYSTEM *dispositivo elettrico* 40W, 100-240Vac, 50/60Hz, 12 output, IP20

PACKAGING *imballo* 21x21x21 cm

NET WEIGHT *peso netto* 0,9 KG **GROSS WEIGHT** *peso lordo* 1,2 KG



BAG table lamp - lampada da tavolo **CT154 CB INT** INDOOR

€ 450,00 vat not incl

CT154 CR INT INDOOR

€ 520,00 vat not incl

Baldessari & Baldessari design

2018

glossy white ceramic - *ceramica bianca lucida* **CT154CB INT**
 glossy bronze ceramic - *ceramica bronzo lucida* **CT154CR INT**

A - LAMP *corpo lampada*

D - DIFFUSER *diffusore* opalinen plexiglass - *plexiglass opale*

M - HANDLE *manico* matt charcoal metal - *metallo antracite opaco*

C - ELECTRICAL CABLE *cavo elettrico* black 2 meters - *nero 2 metri*

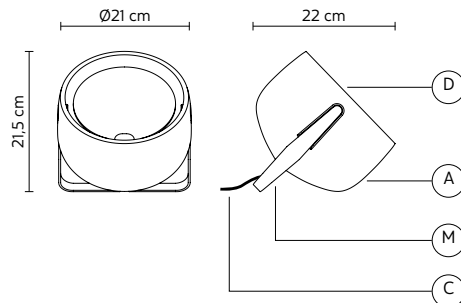
ELECTRICAL SYSTEM *dispositivo elettrico* E27, 1x max 5W LED

OPTIONAL *accessorio* bulb not provided* - *lampadina non inclusa**

PACKAGING *imballo* 42x42x33 cm

NET WEIGHT *peso netto* 1,5 KG **GROSS WEIGHT** *peso lordo* 3,5 KG

*we recommend to use milky-white bulbs
 *si consiglia l'utilizzo di lampadine bianco latte



BAG table lamp - lampada da tavolo

CT154 DB INT INDOOR

€ 475,00 vat not incl

BAG table lamp - lampada da tavolo

CT154 DR INT INDOOR

€ 560,00 vat not incl

Baldessari & Baldessari design

2018

glossy white ceramic - *ceramica bianca lucida* **CT154DB INT**

A - LAMP *corpo lampada*

glossy bronze ceramic - *ceramica bronzo lucida* **CT154DR INT**

D - DIFFUSER *diffusore*

opalinen plexiglass - *plexiglass opale*

M - HANDLE *manico*

matt charcoal metal - *metallo antracite opaco*

C - ELECTRICAL CABLE *cavo elettrico*

black 2 meters - *nero 2 metri*

ELECTRICAL SYSTEM *dispositivo elettrico*

E27, 1x max 5W LED

OPTIONAL *accessorio*

bulb not provided* - *lampadina non inclusa**

PACKAGING *imballo*

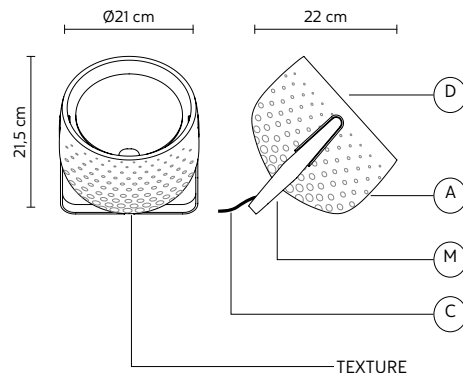
42x42x33 cm

NET WEIGHT *peso netto* 1,5 KG

GROSS WEIGHT *peso lordo* 3,5 KG

*we recommend to use milky-white bulbs

*si consiglia l'utilizzo di lampadine bianco latte



BAG floor lamp - lampada da terra

HP154 AB INT INDOOR

€ 590,00 vat not incl

HP154 AR INT INDOOR

€ 805,00 vat not incl

Baldessari & Baldessari design

2018

glossy white ceramic - *ceramica bianca lucida* **HP154AB INT**

A - LAMP *corpo lampada*

glossy bronze ceramic - *ceramica bronzo lucida* **HP154AR INT**

D - DIFFUSER *diffusore*

opalinen plexiglass - *plexiglass opale*

M - HANDLE *manico*

matt charcoal metal - *metallo antracite opaco*

C - ELECTRICAL CABLE *cavo elettrico*

black 4 meters - *nero 4 metri*

ELECTRICAL SYSTEM *dispositivo elettrico*

E27, 1x max 15W LED

OPTIONAL *accessorio*

bulb not provided* - *lampadina non inclusa**

PACKAGING *imballo*

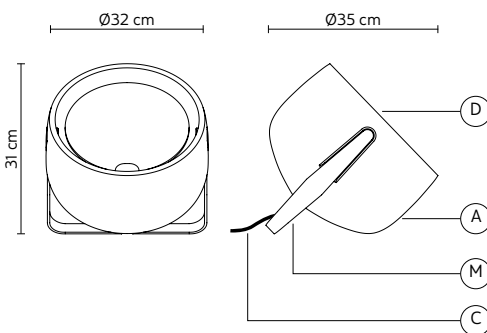
50x50x50 cm

NET WEIGHT *peso netto* 4,5 KG

GROSS WEIGHT *peso lordo* 6 KG

*we recommend to use milky-white bulbs

*si consiglia l'utilizzo di lampadine bianco latte



BAG floor lamp - lampada da terra

HP154 BB INT INDOOR

€ 610,00 vat not incl

BAG floor lamp - lampada da terra

HP154 BR INT INDOOR

€ 850,00 vat not incl

Baldessari & Baldessari design

2018

glossy white ceramic - *ceramica bianca lucida* **HP154BB INT**

A - LAMP *corpo lampada*

glossy bronze ceramic - *ceramica bronzo lucida* **HP154BR INT**

D - DIFFUSER *diffusore*

opalinen plexiglass - *plexiglass opale*

M - HANDLE *manico*

matt charcoal metal - *metallo antracite opaco*

C - ELECTRICAL CABLE *cavo elettrico*

black 4 meters - *nero 4 metri*

ELECTRICAL SYSTEM *dispositivo elettrico*

E27, 1x max 15W LED

OPTIONAL *accessorio*

bulb not provided* - *lampadina non inclusa**

PACKAGING *imballo*

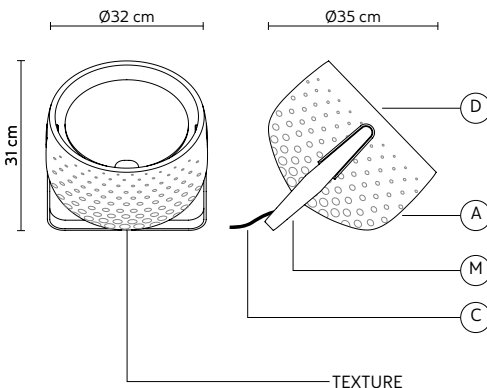
50x50x50 cm

NET WEIGHT *peso netto* 4,5 KG

GROSS WEIGHT *peso lordo* 6 KG

*we recommend to use milky-white bulbs

*si consiglia l'utilizzo di lampadine bianco latte

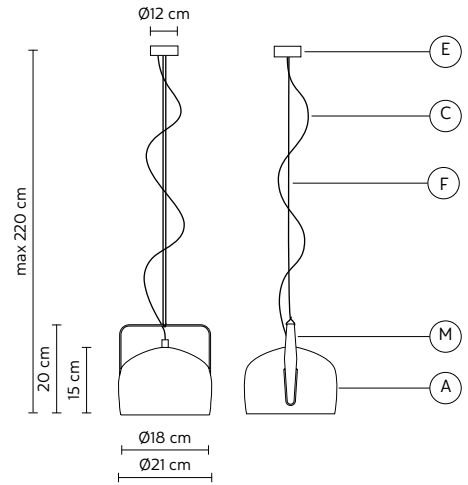


BAG pendant - sospensione**SE154 CB INT** INDOOR€ 450,00 vat not incl

Baldessari & Baldessari design

2018

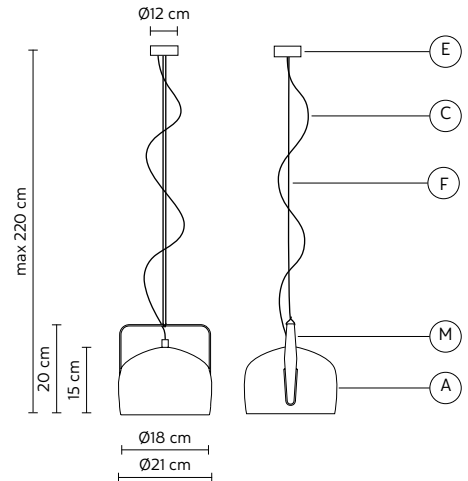
A - LAMP <i>corpo lampada</i>	glossy white ceramic - <i>ceramica bianca lucida</i>
E - CEILING CUP <i>rosone</i>	matt white metal - <i>metallo bianco opaco</i>
F - SUSPENSION CABLE <i>cavo di sospensione</i>	white PVC 2 meters - <i>PVC bianco 2 metri</i>
M - HANDLE <i>manico</i>	matt charcoal metal - <i>metallo antracite opaco</i>
C - ELECTRICAL CABLE <i>cavo elettrico</i>	white 2 meters - <i>2 metri bianco</i>
ELECTRICAL SYSTEM <i>dispositivo elettrico</i>	E27, 1x max 53W
OPTIONAL <i>accessorio</i>	bulb not provided - <i>lampadina non inclusa</i>
PACKAGING <i>imballo</i>	42x42x33 cm
NET WEIGHT <i>peso netto</i> 1,7 KG	GROSS WEIGHT <i>peso lordo</i> 3,7 KG

**BAG** pendant - sospensione**SE154 CR INT** INDOOR€ 520,00 vat not incl

Baldessari & Baldessari design

2018

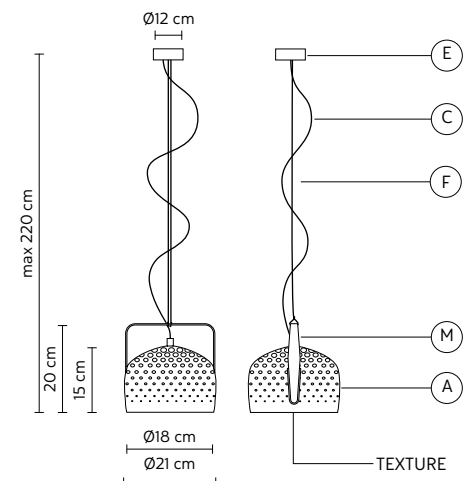
A - LAMP <i>corpo lampada</i>	glossy bronze ceramic - <i>ceramica bronzo lucida</i>
E - CEILING CUP <i>rosone</i>	matt black metal - <i>metallo nero opaco</i>
F - SUSPENSION CABLE <i>cavo di sospensione</i>	black PVC 2 meters - <i>PVC nero 2 metri</i>
M - HANDLE <i>manico</i>	matt charcoal metal - <i>metallo antracite opaco</i>
C - ELECTRICAL CABLE <i>cavo elettrico</i>	black 2 meters - <i>2 metri nero</i>
ELECTRICAL SYSTEM <i>dispositivo elettrico</i>	E27, 1x max 53W
OPTIONAL <i>accessorio</i>	bulb not provided - <i>lampadina non inclusa</i>
PACKAGING <i>imballo</i>	42x42x33 cm
NET WEIGHT <i>peso netto</i> 1,7 KG	GROSS WEIGHT <i>peso lordo</i> 3,7 KG

**BAG** pendant - sospensione**SE154 DB INT** INDOOR€ 475,00 vat not incl

Baldessari & Baldessari design

2018

A - LAMP <i>corpo lampada</i>	glossy white ceramic - <i>ceramica bianco lucida</i>
E - CEILING CUP <i>rosone</i>	matt white metal - <i>metallo bianco opaco</i>
F - SUSPENSION CABLE <i>cavo di sospensione</i>	white PVC 2 meters - <i>PVC bianco 2 metri</i>
M - HANDLE <i>manico</i>	matt charcoal metal - <i>metallo antracite opaco</i>
C - ELECTRICAL CABLE <i>cavo elettrico</i>	white 2 meters - <i>2 metri bianco</i>
ELECTRICAL SYSTEM <i>dispositivo elettrico</i>	E27, 1x max 53W
OPTIONAL <i>accessorio</i>	bulb not provided - <i>lampadina non inclusa</i>
PACKAGING <i>imballo</i>	42x42x33 cm
NET WEIGHT <i>peso netto</i> 1,7 KG	GROSS WEIGHT <i>peso lordo</i> 3,7 KG



BAG pendant - sospensione

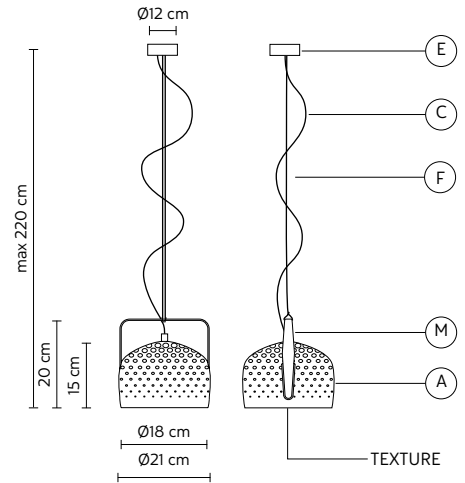
Baldessari & Baldessari design

SE154 DR INT INDOOR

2018

€ 560,00 vat not incl

A - LAMP <i>corpo lampada</i>	glossy bronze ceramic - <i>ceramica bronzo lucida</i>
E - CEILING CUP <i>rosone</i>	matt black metal - <i>metallo nero opaco</i>
F - SUSPENSION CABLE <i>cavo di sospensione</i>	black PVC 2 meters - <i>PVC nero 2 metri</i>
M - HANDLE <i>manico</i>	matt charcoal metal - <i>metallo antracite opaco</i>
C - ELECTRICAL CABLE <i>cavo elettrico</i>	black 2 meters - <i>2 metri nero</i>
ELECTRICAL SYSTEM <i>dispositivo elettrico</i>	E27, 1x max 53W
OPTIONAL <i>accessorio</i>	bulb not provided - <i>lampadina non inclusa</i>
PACKAGING <i>imballo</i>	42x42x33 cm
NET WEIGHT <i>peso netto</i>	1,7 KG
GROSS WEIGHT <i>peso lordo</i>	3,7 KG

**BAG** pendant - sospensione

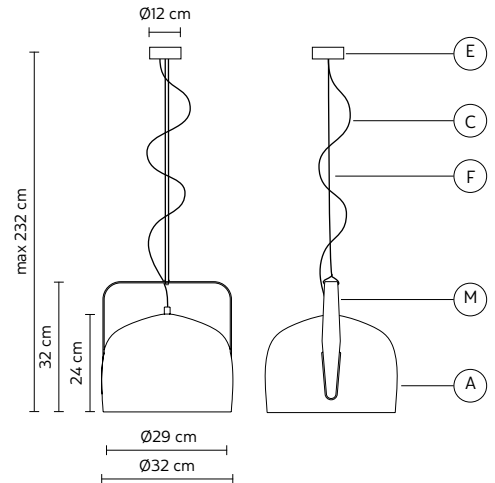
Baldessari & Baldessari design

SE154 AB INT INDOOR

2018

€ 580,00 vat not incl

A - LAMP <i>corpo lampada</i>	glossy white ceramic - <i>ceramica bianca lucida</i>
E - CEILING CUP <i>rosone</i>	matt white metal - <i>metallo bianco opaco</i>
F - SUSPENSION CABLE <i>cavo di sospensione</i>	white PVC 2 meters - <i>PVC bianco 2 metri</i>
M - HANDLE <i>manico</i>	matt charcoal metal - <i>metallo antracite opaco</i>
C - ELECTRICAL CABLE <i>cavo elettrico</i>	white 2 meters - <i>2 metri bianco</i>
ELECTRICAL SYSTEM <i>dispositivo elettrico</i>	E27, 1x max 77W
OPTIONAL <i>accessorio</i>	bulb not provided - <i>lampadina non inclusa</i>
PACKAGING <i>imballo</i>	50x50x50 cm
NET WEIGHT <i>peso netto</i>	4,7 KG
GROSS WEIGHT <i>peso lordo</i>	6,2 KG

**BAG** pendant - sospensione

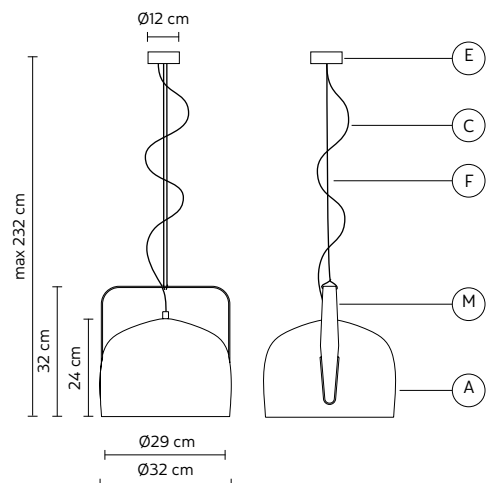
Baldessari & Baldessari design

SE154 AR INT INDOOR

2018

€ 795,00 vat not incl

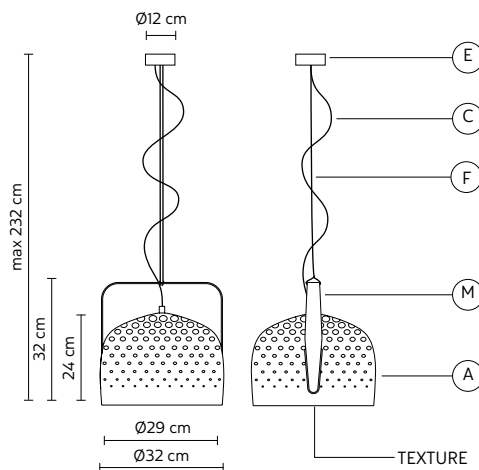
A - LAMP <i>corpo lampada</i>	glossy bronze ceramic - <i>ceramica bronzo lucida</i>
E - CEILING CUP <i>rosone</i>	matt black metal - <i>metallo nero opaco</i>
F - SUSPENSION CABLE <i>cavo di sospensione</i>	black PVC 2 meters - <i>PVC nero 2 metri</i>
M - HANDLE <i>manico</i>	matt charcoal metal - <i>metallo antracite opaco</i>
C - ELECTRICAL CABLE <i>cavo elettrico</i>	black 2 meters - <i>2 metri nero</i>
ELECTRICAL SYSTEM <i>dispositivo elettrico</i>	E27, 1x max 77W
OPTIONAL <i>accessorio</i>	bulb not provided - <i>lampadina non inclusa</i>
PACKAGING <i>imballo</i>	50x50x50 cm
NET WEIGHT <i>peso netto</i>	4,7 KG
GROSS WEIGHT <i>peso lordo</i>	6,2 KG



BAG pendant - sospensione**SE154 BB INT** INDOOR€ 605,00 vat not incl

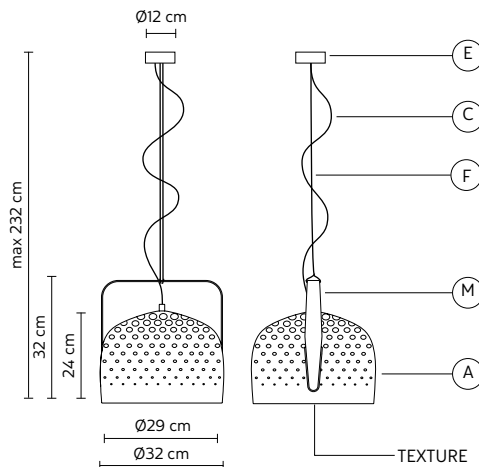
Baldessari & Baldessari design

2018

A - LAMP *corpo lampada* glossy white ceramic - *ceramica bianca lucida***E - CEILING CUP** *rosone* matt white metal - *metallo bianco opaco***F - SUSPENSION CABLE** *cavo di sospensione* white PVC 2 meters - *PVC bianco 2 metri***M - HANDLE** *manico* matt charcoal metal - *metallo antracite opaco***C - ELECTRICAL CABLE** *cavo elettrico* white 2 meters - *2 metri bianco***ELECTRICAL SYSTEM** *dispositivo elettrico* E27, 1x max 77W**OPTIONAL** *accessorio* bulb not provided - *lampadina non inclusa***PACKAGING** *imballo* 50x50x50 cm**NET WEIGHT** *peso netto* 4,7 KG **GROSS WEIGHT** *peso lordo* 6,2 KG**BAG** pendant - sospensione**SE154 BR INT** INDOOR€ 825,00 vat not incl

Baldessari & Baldessari design

2018

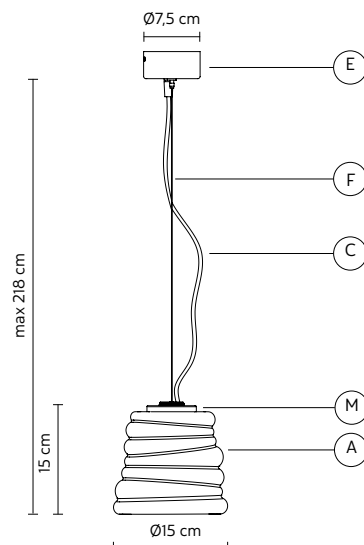
A - LAMP *corpo lampada* glossy bronze ceramic - *ceramica bronzo lucida***E - CEILING CUP** *rosone* matt black metal - *metallo nero opaco***F - SUSPENSION CABLE** *cavo di sospensione* black PVC 2 meters - *PVC nero 2 metri***M - HANDLE** *manico* matt charcoal metal - *metallo antracite opaco***C - ELECTRICAL CABLE** *cavo elettrico* black 2 meters - *2 metri nero***ELECTRICAL SYSTEM** *dispositivo elettrico* E27, 1x max 77W**OPTIONAL** *accessorio* bulb not provided - *lampadina non inclusa***PACKAGING** *imballo* 50x50x50 cm**NET WEIGHT** *peso netto* 4,7 KG **GROSS WEIGHT** *peso lordo* 6,2 KG**BIBENDUM** pendant - sospensione**SE198 AT INT** INDOOR - 3000K€ 450,00 vat not incl**SE198 AV INT** INDOOR - 2700K

Paola Navone design

2019

A - LAMPSHADE *paralume* transparent glass - *vetro trasparente***M - LAMP** *corpo lampada* matt black aluminum - *alluminio nero opaco***E - CEILING CUP** *rosone* matt black metal - *metallo nero opaco***F - SUSPENSION CABLE** *fune di sospensione* steel 2 meters - *acciaio 2 metri***C - ELECTRICAL CABLE** *cavo elettrico* white fabric cable 2 meters - *2 metri bianco telaio***ELECTRICAL SYSTEM** *dispositivo elettrico* LED 5W*, 220V, 500 lm, CRI≥80**PACKAGING** *imballo* 24x24x39 cm**NET WEIGHT** *peso netto* 0,9 KG **GROSS WEIGHT** *peso lordo* 1,4 KG

*(cut phase dimmable - dimmerabile taglio di fase)



BIBENDUM pendant - sospensione **SE198 AD INT** INDOOR - **3000K**
SE198 AE INT INDOOR - **2700K**

Paola Navone design

2019

A - LAMPSHADE *paralume* frosted white glass - *vetro bianco satinato*

M - LAMP *corpo lampada* matt black aluminum - *alluminio nero opaco*

E - CEILING CUP *rosone* matt black metal - *metallo nero opaco*

F - SUSPENSION CABLE *fune di sospensione* steel 2 meters - *acciaio 2 metri*

C - ELECTRICAL CABLE *cavo elettrico* black fabric cable 2 meters - *2 metri nero telato*

ELECTRICAL SYSTEM *dispositivo elettrico* LED 5W*, 220V, 500 lm, CRI ≥80

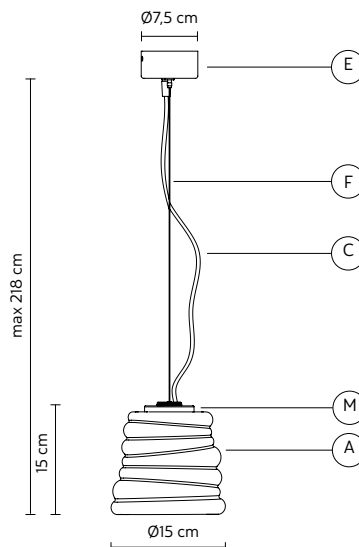
PACKAGING *imballo* 24x24x39 cm

NET WEIGHT *peso netto* 0,9 KG **GROSS WEIGHT** *peso lordo* 1,4 KG

*(cut phase dimmable - dimmerabile taglio di fase)



€ 450,00 vat not incl



BIBENDUM pendant - sospensione **SE198 DT INT** INDOOR

Paola Navone design

2019

A - LAMPSHADE *paralume* transparent glass - *vetro trasparente*

M - LAMP *corpo lampada* matt black aluminum - *alluminio nero opaco*

E - CEILING CUP *rosone* matt black metal - *metallo nero opaco*

F - SUSPENSION CABLE *fune di sospensione* steel 2 meters - *acciaio 2 metri*

C - ELECTRICAL CABLE *cavo elettrico* white fabric cable 2 meters - *2 metri bianco telato*

BULB *lampadina* bulb not provided - *lampadina non inclusa*

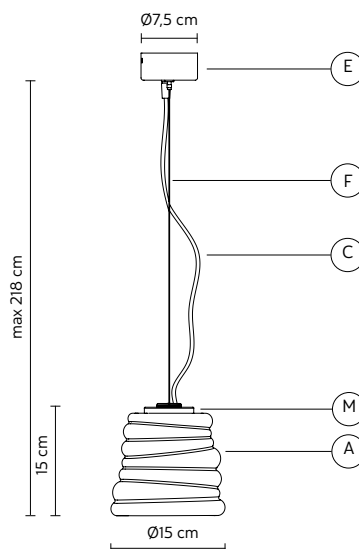
ELECTRICAL SYSTEM *dispositivo elettrico* E14, 1x max 42W

PACKAGING *imballo* 24x24x39 cm

NET WEIGHT *peso netto* 0,9 KG **GROSS WEIGHT** *peso lordo* 1,4 KG



€ 405,00 vat not incl



BIBENDUM pendant - sospensione **SE198 DD INT** INDOOR

Paola Navone design

2019

A - LAMPSHADE *paralume* white frosted glass - *vetro bianco satinato*

M - LAMP *corpo lampada* matt black aluminum - *alluminio nero opaco*

E - CEILING CUP *rosone* matt black metal - *metallo nero opaco*

F - SUSPENSION CABLE *fune di sospensione* steel 2 meters - *acciaio 2 metri*

C - ELECTRICAL CABLE *cavo elettrico* black fabric cable 2 meters - *2 metri nero telato*

BULB *lampadina* bulb not provided - *lampadina non inclusa*

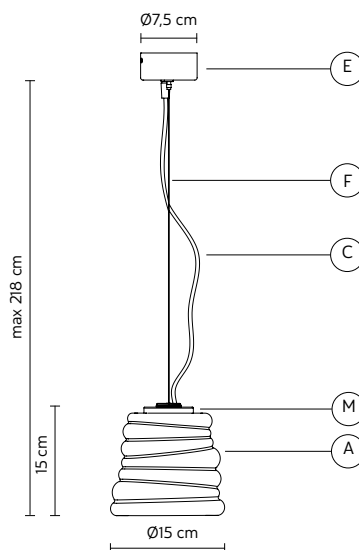
ELECTRICAL SYSTEM *dispositivo elettrico* E14, 1x max 42W

PACKAGING *imballo* 24x24x39 cm

NET WEIGHT *peso netto* 0,9 KG **GROSS WEIGHT** *peso lordo* 1,4 KG



€ 405,00 vat not incl



BIBENDUM pendant - sospensione **SE198 BT INT** INDOOR - **3000K**
SE198 BV INT INDOOR - **2700K**

€ 795,00 vat not incl

Paola Navone design

2019

A - LAMPSHADE *paralume* transparent glass - *vetro trasparente*

M - LAMP *corpo lampada* matt black aluminum - *alluminio nero opaco*

E - CEILING CUP *rosone* matt black metal - *metallo nero opaco*

F - SUSPENSION CABLE *fune di sospensione* steel 2 meters - *acciaio 2 metri*

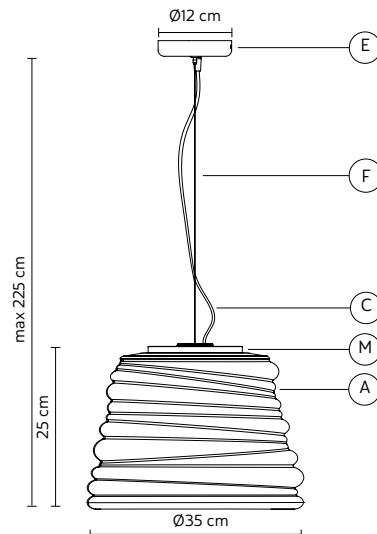
C - ELECTRICAL CABLE *cavo elettrico* white fabric cable 2 meters - *2 metri bianco telato*

ELECTRICAL SYSTEM *dispositivo elettrico* LED 17W*, 220V, 1700 lm, CRI ≥80

PACKAGING *imballo* 47x47x47 cm

NET WEIGHT *peso netto* 5,6 KG **GROSS WEIGHT** *peso lordo* 8,2 KG

*(cut phase dimmable - dimmerabile taglio di fase)



BIBENDUM pendant - sospensione **SE198 BD INT** INDOOR - **3000K**
SE198 BE INT INDOOR - **2700K**

€ 795,00 vat not incl

Paola Navone design

2019

A - LAMPSHADE *paralume* white frosted glass - *vetro bianco satinato*

M - LAMP *corpo lampada* matt black aluminum - *alluminio nero opaco*

E - CEILING CUP *rosone* matt black metal - *metallo nero opaco*

F - SUSPENSION CABLE *fune di sospensione* steel 2 meters - *acciaio 2 metri*

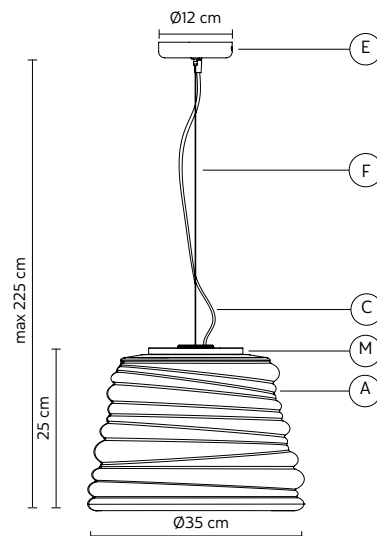
C - ELECTRICAL CABLE *cavo elettrico* black fabric cable 2 meters - *2 metri nero telato*

ELECTRICAL SYSTEM *dispositivo elettrico* LED 17W*, 220V, 1700 lm, CRI ≥80

PACKAGING *imballo* 47x47x47 cm

NET WEIGHT *peso netto* 5,6 KG **GROSS WEIGHT** *peso lordo* 8,2 KG

*(cut phase dimmable - dimmerabile taglio di fase)



BIBENDUM pendant - sospensione **SE198 ET INT** INDOOR

€ 655,00 vat not incl

Paola Navone design

2019

A - LAMPSHADE *paralume* transparent glass - *vetro trasparente*

M - LAMP *corpo lampada* matt black aluminum - *alluminio nero opaco*

E - CEILING CUP *rosone* matt black metal - *metallo nero opaco*

F - SUSPENSION CABLE *fune di sospensione* steel 2 meters - *acciaio 2 metri*

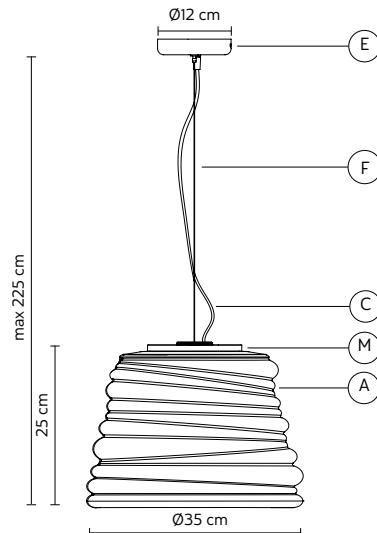
C - ELECTRICAL CABLE *cavo elettrico* white fabric cable 2 meters - *2 metri bianco telato*

BULB *lampadina* bulb not provided - *lampadina non inclusa*

ELECTRICAL SYSTEM *dispositivo elettrico* E27, 1x max 105W

PACKAGING *imballo* 47x47x47 cm

NET WEIGHT *peso netto* 5,6 KG **GROSS WEIGHT** *peso lordo* 8,2 KG

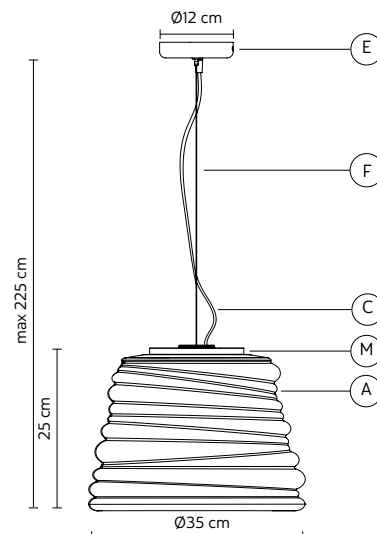


BIBENDUM pendant - sospensione**SE198 ED INT** INDOOR€ 655,00 vat not incl

Paola Navone design

2019

A - LAMPSHADE <i>paralume</i>	white frosted glass - vetro bianco satinato
M - LAMP <i>corpo lampada</i>	matt black aluminum - alluminio nero opaco
E - CEILING CUP <i>rosone</i>	matt black metal - metallo nero opaco
F - SUSPENSION CABLE <i>fune di sospensione</i>	steel 2 meters - acciaio 2 metri
C - ELECTRICAL CABLE <i>cavo elettrico</i>	black fabric cable 2 meters - 2 metri nero telato
BULB <i>lampadina</i>	bulb not provided - lampadina non inclusa
ELECTRICAL SYSTEM <i>dispositivo elettrico</i>	E27, 1x max 105W
PACKAGING <i>imballo</i>	47x47x47 cm
NET WEIGHT <i>peso netto</i>	5,6 KG
GROSS WEIGHT <i>peso lordo</i>	8,2 KG

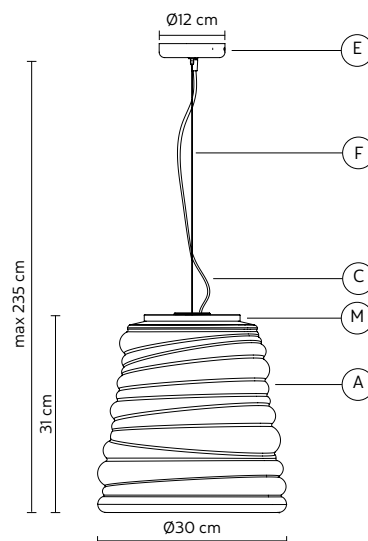
IP20    **BIBENDUM** pendant - sospensione **SE198 CT INT** INDOOR - 3000K€ 795,00 vat not incl**SE198 CV INT** INDOOR - 2700K

Paola Navone design

2019

A - LAMPSHADE <i>paralume</i>	transparent glass - vetro trasparente
M - LAMP <i>corpo lampada</i>	matt black aluminum - alluminio nero opaco
E - CEILING CUP <i>rosone</i>	matt black metal - metallo nero opaco
F - SUSPENSION CABLE <i>fune di sospensione</i>	steel 2 meters - acciaio 2 metri
C - ELECTRICAL CABLE <i>cavo elettrico</i>	white fabric cable 2 meters - 2 metri bianco telato
ELECTRICAL SYSTEM <i>dispositivo elettrico</i>	LED 17W, 220V, 1700 lm, CRI ≥80
PACKAGING <i>imballo</i>	47x47x47 cm
NET WEIGHT <i>peso netto</i>	5,6 KG
GROSS WEIGHT <i>peso lordo</i>	8,2 KG

*(cut phase dimmable - dimmerabile taglio di fase)

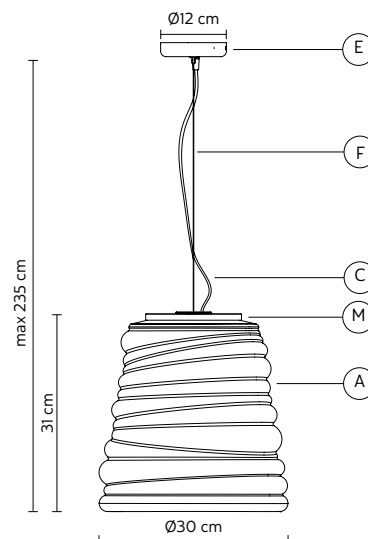
IP20    **BIBENDUM** pendant - sospensione **SE198 CD INT** INDOOR - 3000K€ 795,00 vat not incl**SE198 CE INT** INDOOR - 2700K

Paola Navone design

2019

A - LAMPSHADE <i>paralume</i>	white frosted glass - vetro bianco satinato
M - LAMP <i>corpo lampada</i>	matt black aluminum - alluminio nero opaco
E - CEILING CUP <i>rosone</i>	matt black metal - metallo nero opaco
F - SUSPENSION CABLE <i>fune di sospensione</i>	steel 2 meters - acciaio 2 metri
C - ELECTRICAL CABLE <i>cavo elettrico</i>	black fabric cable 2 meters - 2 metri nero telato
ELECTRICAL SYSTEM <i>dispositivo elettrico</i>	LED 17W, 220V, 1700 lm, CRI ≥80
PACKAGING <i>imballo</i>	47x47x47 cm
NET WEIGHT <i>peso netto</i>	5,6 KG
GROSS WEIGHT <i>peso lordo</i>	8,2 KG

*(cut phase dimmable - dimmerabile taglio di fase)

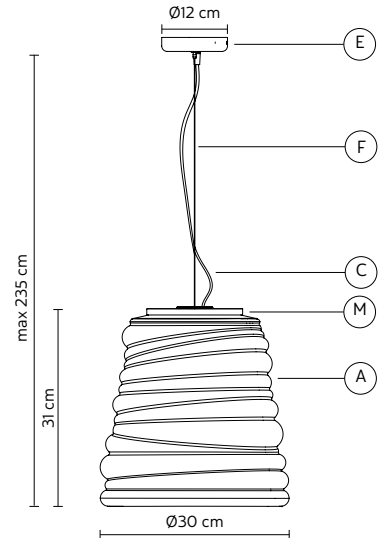
IP20    

BIBENDUM pendant - sospensione**SE198 FT INT** INDOOR€ 655,00 vat not incl

Paola Navone design

2019

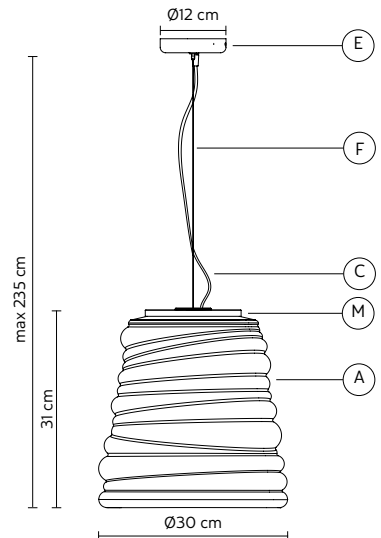
A - LAMPSHADE <i>paralume</i>	transparent glass - <i>vetro trasparente</i>
M - LAMP <i>corpo lampada</i>	matt black aluminum - <i>alluminio nero opaco</i>
E - CEILING CUP <i>rosone</i>	matt black metal - <i>metallo nero opaco</i>
F - SUSPENSION CABLE <i>fune di sospensione</i>	steel 2 meters - <i>acciaio 2 metri</i>
C - ELECTRICAL CABLE <i>cavo elettrico</i>	white fabric cable 2 meters - <i>2 metri bianco telato</i>
BULB <i>lampadina</i>	bulb not provided - <i>lampadina non inclusa</i>
ELECTRICAL SYSTEM <i>dispositivo elettrico</i>	E27, 1x max 105W
PACKAGING <i>imballo</i>	47x47x47 cm
NET WEIGHT <i>peso netto</i>	5,6 KG
GROSS WEIGHT <i>peso lordo</i>	8,2 KG

IP20    **BIBENDUM** pendant - sospensione**SE198 FD INT** INDOOR€ 655,00 vat not incl

Paola Navone design

2019

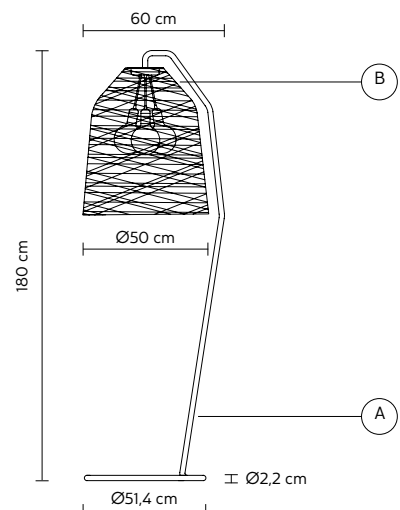
A - LAMPSHADE <i>paralume</i>	white frosted glass - <i>vetro bianco satinato</i>
M - LAMP <i>corpo lampada</i>	matt black aluminum - <i>alluminio nero opaco</i>
E - CEILING CUP <i>rosone</i>	matt black metal - <i>metallo nero opaco</i>
F - SUSPENSION CABLE <i>fune di sospensione</i>	steel 2 meters - <i>acciaio 2 metri</i>
C - ELECTRICAL CABLE <i>cavo elettrico</i>	black fabric cable 2 meters - <i>2 metri nero telato</i>
BULB <i>lampadina</i>	bulb not provided - <i>lampadina non inclusa</i>
ELECTRICAL SYSTEM <i>dispositivo elettrico</i>	E27, 1x max 105W
PACKAGING <i>imballo</i>	47x47x47 cm
NET WEIGHT <i>peso netto</i>	5,6 KG
GROSS WEIGHT <i>peso lordo</i>	8,2 KG

IP20    **BLACK OUT** floor lamp - piantana**HP101 2B INT** INDOOR€ 1.355,00 vat not incl**BLACK OUT** floor lamp - piantana**HP101 2N INT** INDOOR

Matteo Ugolini design

2015/ **NEWS 2023**

A - LAMP <i>corpo lampada</i>	matt white metal - <i>metallo bianco opaco</i> HP1012BINT matt black metal - <i>metallo nero opaco</i> HP1012NINT
B - LAMPSHADE <i>paralume</i>	matt white fiberglass - <i>vetroresina bianca opaca</i> HP1012BINT matt black fiberglass - <i>vetroresina nera opaca</i> HP1012NINT
ELECTRICAL CABLE <i>cavo elettrico</i>	transparent 4 meters - <i>4 metri trasparente</i> HP1012BINT black 4 meters - <i>4 metri nero</i> HP1012NINT
ELECTRICAL SYSTEM <i>dispositivo elettrico</i>	E27, 3x max 52W
OPTIONAL <i>accessorio</i>	bulb not provided - <i>lampadina non inclusa</i> 700B pag.136 candles holder - <i>portacandele</i> pag.29
PACKAGING <i>imballo</i>	62x62x185 cm
NET WEIGHT <i>peso netto</i>	4,9 KG
GROSS WEIGHT <i>peso lordo</i>	8,2 KG

IP 20     

BLACK OUT pendant - sospensione**SE101 1B INT** INDOOR

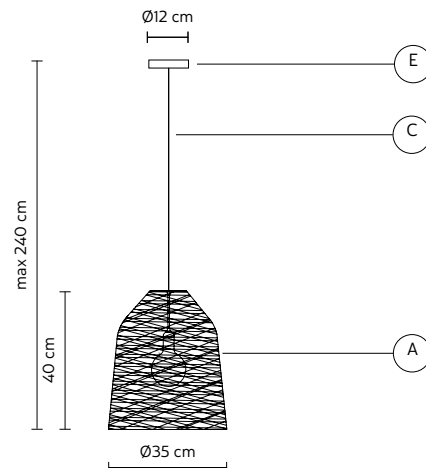
€ 670,00 vat not incl

SE101 1N INT INDOOR

Matteo Ugolini design

2015/ **NEWS 2023**

A - LAMPSHADE <i>paralume</i>	matt white fiberglass - <i>vetroresina bianca opaca</i> SE1011BINT matt black fiberglass - <i>vetroresina nera opaca</i> SE1011NINT
E - CEILING CUP <i>rosone</i>	matt white metal - <i>metallo bianco opaco</i> SE1011BINT matt black metal - <i>metallo nero opaco</i> SE1011NINT
C - ELECTRICAL CABLE <i>cavo elettrico</i>	transparent 2 meters - <i>2 metri trasparente</i> SE1011BINT black 2 meters - <i>2 metri nero</i> SE1011NINT
OPTIONAL <i>accessorio</i>	bulb not provided - <i>lampadina non inclusa</i> 700B pag.136
ELECTRICAL SYSTEM <i>dispositivo elettrico</i>	E27, 1x max 53W
PACKAGING <i>imballo</i>	50X50X50 cm
NET WEIGHT <i>peso netto</i> 1,3 KG	GROSS WEIGHT <i>peso lordo</i> 1,8 KG

**BLACK OUT** pendant - sospensione**SE101 2B INT** INDOOR

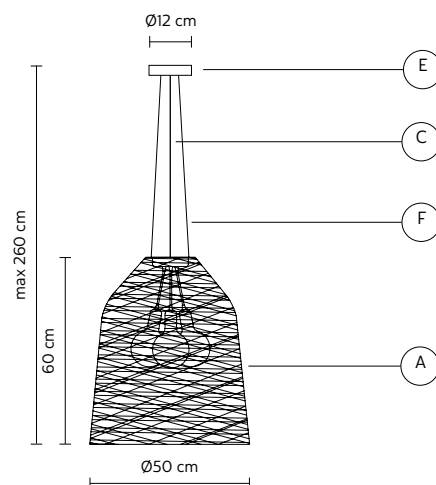
€ 810,00 vat not incl

SE101 2N INT INDOOR

Matteo Ugolini design

2015/ **NEWS 2023**

A - LAMPSHADE <i>paralume</i>	matt white fiberglass - <i>vetroresina bianca opaca</i> SE1012BINT matt black fiberglass - <i>vetroresina nera opaca</i> SE1012NINT
E - CEILING CUP <i>rosone</i>	matt white metal - <i>metallo bianco opaco</i> SE1012BINT matt black metal - <i>metallo nero opaco</i> SE1012NINT
C - ELECTRICAL CABLE <i>cavo elettrico</i>	transparent 2 meters - <i>2 metri trasparente</i> SE1012BINT black 2 meters - <i>2 metri nero</i> SE1012NINT
F - SUSPENSION CABLE <i>fune di sospensione</i>	steel 2 meters - <i>acciaio 2 metri</i>
ELECTRICAL SYSTEM <i>dispositivo elettrico</i>	E27, 3x max 53W
OPTIONAL <i>accessorio</i>	bulb not provided - <i>lampadina non inclusa</i> 700B pag.136 candles holder - <i>portacandele</i> pag.29
PACKAGING <i>imballo</i>	60x60x70 cm
NET WEIGHT <i>peso netto</i> 1,5 KG	GROSS WEIGHT <i>peso lordo</i> 3,9 KG

**BLACK OUT** optional - accessorio**AC101 1B INT** INDOOR

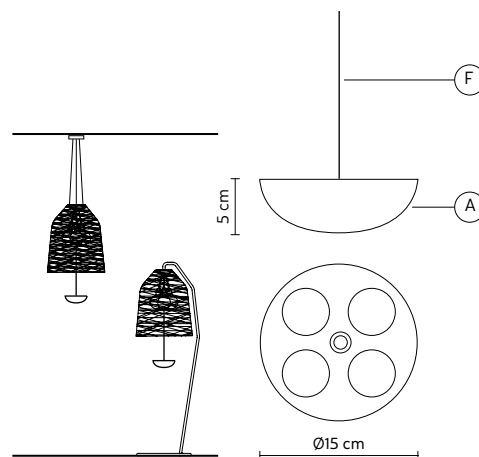
€ 96,00 vat not incl

AC101 1N INT INDOOR

Matteo Ugolini design

2015/ **NEWS 2023**

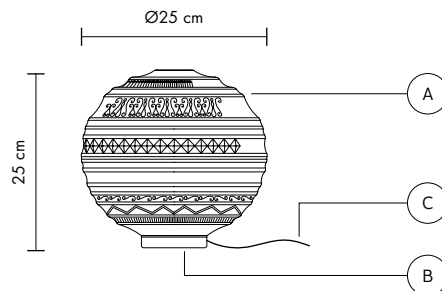
A - CANDLES-HOLDER <i>portacandele</i>	glossy white ceramic - <i>ceramica bianca lucida</i> AC1011BINT matt black ceramic - <i>ceramica nera opaca</i> AC1011NINT
C - SUSPENSION CABLE <i>cavo di sospensione</i>	steel 1 meter - <i>acciaio 1 metro</i>
SUITABLE FOR <i>utilizzabile per</i>	SE101 2N INT - HP101 2N INT - SE101 2B INT - HP101 2B INT
PACKAGING <i>imballo</i>	cm 23x31x31
NET WEIGHT <i>peso netto</i> 0,2 KG	GROSS WEIGHT <i>peso lordo</i> 1,2 KG



BRaille table lamp - lampada da tavolo**CT144 1B INT** INDOOR€ 365,00 vat not incl

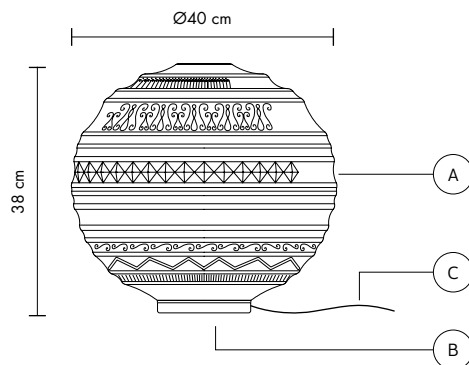
Matteo Ugolini design

2017

A - DIFFUSER *diffusore* frosted white glass - vetro bianco satinato**B - BASE** matt white metal - metallo bianco opaco**C - ELECTRICAL CABLE** *cavo elettrico* transparent 2 meters - trasparente 2 metri**ELECTRICAL SYSTEM** *dispositivo elettrico* E14, 1x max 46W**OPTIONAL** *accessorio* bulb not provided - lampadina non inclusa**PACKAGING** *imballo* 35x35x38 cm**NET WEIGHT** *peso netto* 1,9 KG **GROSS WEIGHT** *peso lordo* 2,8 KG**BRaille** table lamp - lampada da tavolo**CT144 2B INT** INDOOR€ 490,00 vat not incl

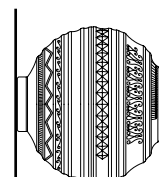
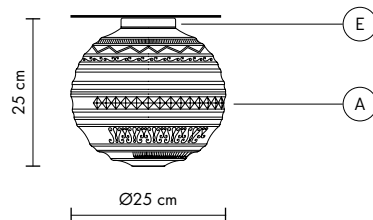
Matteo Ugolini design

2017

A - DIFFUSER *diffusore* frosted white glass - vetro bianco satinato**B - BASE** matt white metal - metallo bianco opaco**C - ELECTRICAL CABLE** *cavo elettrico* transparent 2 meters - trasparente 2 metri**ELECTRICAL SYSTEM** *dispositivo elettrico* E27, 1x max 105W**OPTIONAL** *accessorio* bulb not provided - lampadina non inclusa**PACKAGING** *imballo* 50x50x50 cm**NET WEIGHT** *peso netto* 5,7 KG **GROSS WEIGHT** *peso lordo* 8 KG**BRaille** ceiling lamp - plafoniera**PL144 1B INT** INDOOR€ 365,00 vat not incl

Matteo Ugolini design

2017

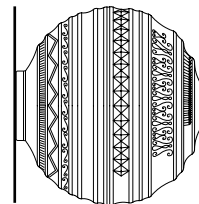
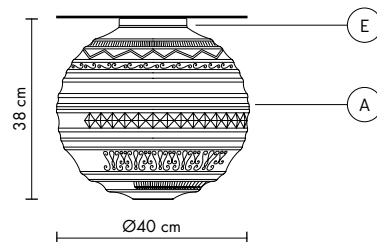
A - DIFFUSER *diffusore* frosted white glass - vetro bianco satinato**E - CEILING CUP** *rosone* matt white metal - metallo bianco opaco**ELECTRICAL SYSTEM** *dispositivo elettrico* E14, 1x max 46W**OPTIONAL** *accessorio* bulb not provided - lampadina non inclusa**PACKAGING** *imballo* 35x35x38 cm**NET WEIGHT** *peso netto* 1,7 KG **GROSS WEIGHT** *peso lordo* 2,7 KG

BRILLE ceiling lamp – plafoniera

Matteo Ugolini design

PL144 2B INT INDOOR

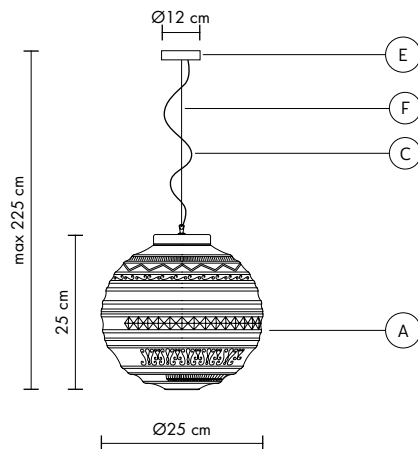
2017

€ 490,00 vat not incl**A - DIFFUSER** *diffusore* frosted white glass – vetro bianco satinato**E - CEILING CUP** *rosone* matt white metal – metallo bianco opaco**ELECTRICAL SYSTEM** *dispositivo elettrico* E27, 1x max 105W**OPTIONAL** *accessorio* bulb not provided – lampadina non inclusa**PACKAGING** *imballo* 50x50x50 cm**NET WEIGHT** *peso netto* 5,5 KG **GROSS WEIGHT** *peso lordo* 7,6 KG**BRILLE** pendant – sospensione

Matteo Ugolini design

SE144 1B INT INDOOR

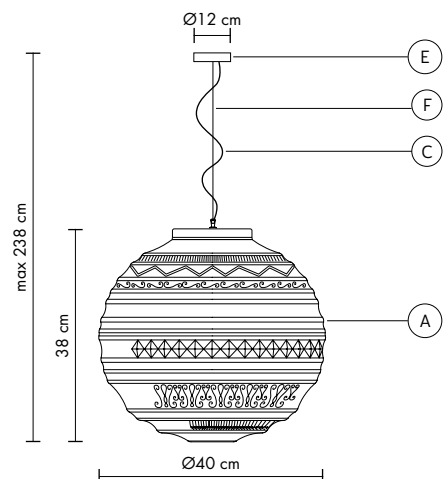
2017

€ 490,00 vat not incl**A - DIFFUSER** *diffusore* white frosted glass – vetro bianco satinato**E - CEILING CUP** *rosone* matt white metal – metallo bianco opaco**F - SUSPENSION CABLE** *fune di sospensione* steel 2 meters – acciaio 2 metri**C - ELECTRICAL CABLE** *cavo elettrico* transparent 2 meters – 2 metri trasparente**OPTIONAL** *accessorio* bulb not provided – lampadina non inclusa**ELECTRICAL SYSTEM** *dispositivo elettrico* E14, 1x max 46W**PACKAGING** *imballo* 35x35x38 cm**NET WEIGHT** *peso netto* 2,3 KG **GROSS WEIGHT** *peso lordo* 3,3 KG**BRILLE** pendant – sospensione

Matteo Ugolini design

SE144 2B INT INDOOR

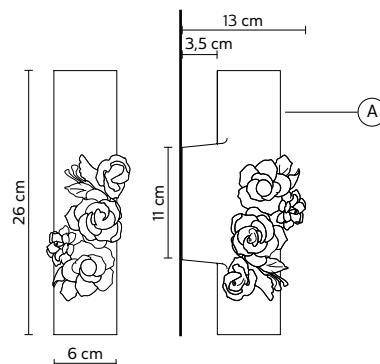
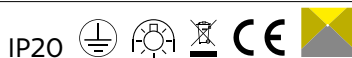
2017

€ 590,00 vat not incl**A - DIFFUSER** *diffusore* white frosted glass – vetro bianco satinato**E - CEILING CUP** *rosone* matt white metal – metallo bianco opaco**F - SUSPENSION CABLE** *fune di sospensione* steel 2 meters – acciaio 2 metri**C - ELECTRICAL CABLE** *cavo elettrico* transparent 2 meters – 2 metri trasparente**OPTIONAL** *accessorio* bulb not provided – lampadina non inclusa**ELECTRICAL SYSTEM** *dispositivo elettrico* E27, 1x max 105W**PACKAGING** *imballo* 50x50x50 cm**NET WEIGHT** *peso netto* 6 KG **GROSS WEIGHT** *peso lordo* 8,5 KG

CAPODIMONTE wall lamp - applique**AP129 1B INT** INDOOR€ 510,00 vat not incl

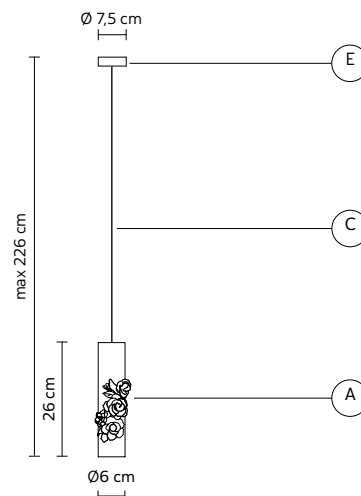
Matteo Ugolini design

2016

A - LAMP *corpo lampada* matt white ceramic - *ceramica bianca opaca***ELECTRICAL SYSTEM** *dispositivo elettrico* GU10, 1x max 35W, class from E to A++**OPTIONAL** *accessorio* bulb not provided - *lampadina non inclusa* **700N** pag. 137**PACKAGING** *imballo* 40x18x18 cm**NET WEIGHT** *peso netto* 0,8 KG **GROSS WEIGHT** *peso lordo* 1,3 KG**CAPODIMONTE** pendant - sospensione**SE129 1B INT** INDOOR€ 575,00 vat not incl

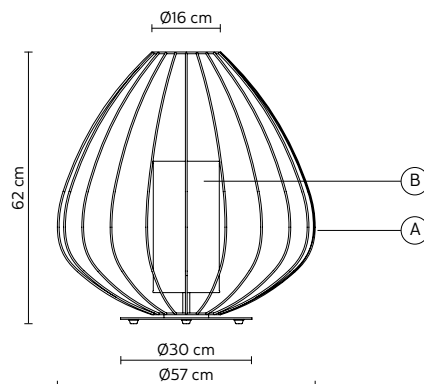
Matteo Ugolini design

2016

A - DIFFUSER *diffusore* matt white ceramic - *ceramica bianca opaca***E - CEILING CUP** *rosone* matt white metal - *metallo bianco opaco***F - SUSPENSION CABLE** *fune di sospensione* steel 2 meters - *acciaio 2 metri***C - ELECTRICAL CABLE** *cavo elettrico* white fabric cable 2 meters - *2 metri bianco telato***ELECTRICAL SYSTEM** *dispositivo elettrico* GU10, 1x max 20W**OPTIONAL** *accessorio* bulb not provided - *lampadina non inclusa* **700N** pag. 137**PACKAGING** *imballo* 40x18x18 cm**NET WEIGHT** *peso netto* 0,8 KG **GROSS WEIGHT** *peso lordo* 1,5 KG**CELL** floor lamp - lampada da terra**M612B** INDOOR€ 590,00 vat not incl

Matteo Ugolini design

2011/2018

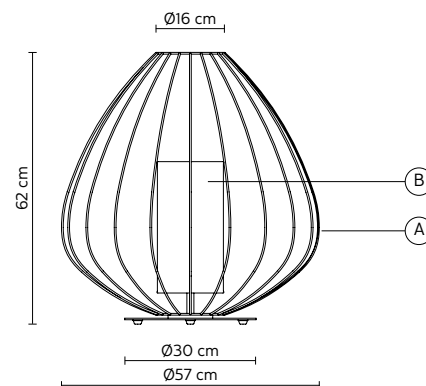
A - LAMP *corpo lampada* glossy white stainless steel - *tondino ferro bianco lucido***B - LAMPSHADE** *paralume* white linen - *lino bianco***ELECTRICAL CABLE** *cavo elettrico* transparent 4 meters - *trasparente 4 metri***ELECTRICAL SYSTEM** *dispositivo elettrico* E27, 1x max 52W**OPTIONAL** *accessorio* bulb not provided - *lampadina non inclusa***PACKAGING** *imballo* 62x62x65 cm**NET WEIGHT** *peso netto* 5 KG **GROSS WEIGHT** *peso lordo* 6,5 KG

CELL floor lamp - lampada da terra

Matteo Ugolini design

CT612 AM INT INDOOR

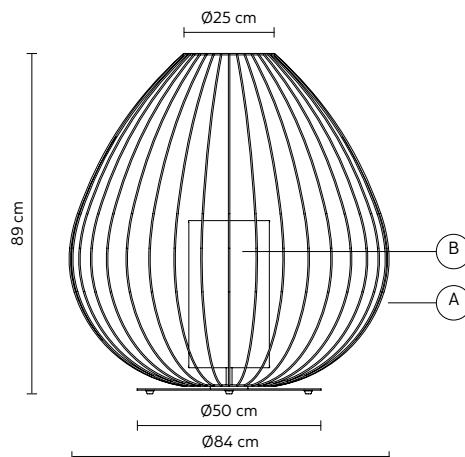
2011/2018

€ 700,00 vat not incl**A - LAMP** *corpo lampada* glossy bronze stainless steel - *tondino ferro bronzo lucido***B - LAMPSHADE** *paralume* white linen - *lino bianco***ELECTRICAL CABLE** *cavo elettrico* transparent 4 meters - *trasparente 4 metri***ELECTRICAL SYSTEM** *dispositivo elettrico* E27, 1x max 52W**OPTIONAL** *accessorio* bulb not provided - *lampadina non inclusa***PACKAGING** *imballo* 62x62x65 cm**NET WEIGHT** *peso netto* 5 KG **GROSS WEIGHT** *peso lordo* 6,5 KG**CELL** floor lamp - lampada da terra

Matteo Ugolini design

M613B INDOOR

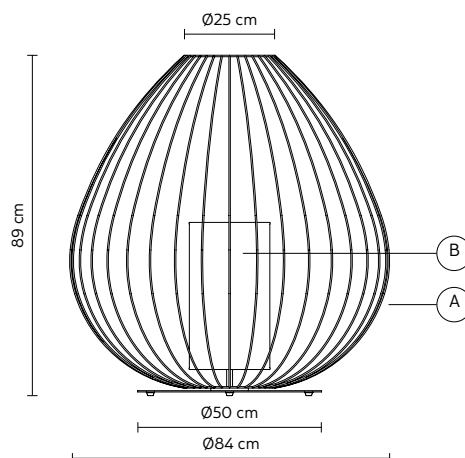
2011/2018

€ 1.120,00 vat not incl**A - LAMP** *corpo lampada* glossy white stainless steel - *tondino ferro bianco lucido***B - LAMPSHADE** *paralume* white linen - *lino bianco***ELECTRICAL CABLE** *cavo elettrico* transparent 4 meters - *trasparente 4 metri***ELECTRICAL SYSTEM** *dispositivo elettrico* E27, 1x max 70W**OPTIONAL** *accessorio* bulb not provided - *lampadina non inclusa***PACKAGING** *imballo* 90x90x93 cm**NET WEIGHT** *peso netto* 13 KG **GROSS WEIGHT** *peso lordo* 16 KG**CELL** floor lamp - lampada da terra

Matteo Ugolini design

HP613 BM INT INDOOR

2011/2018

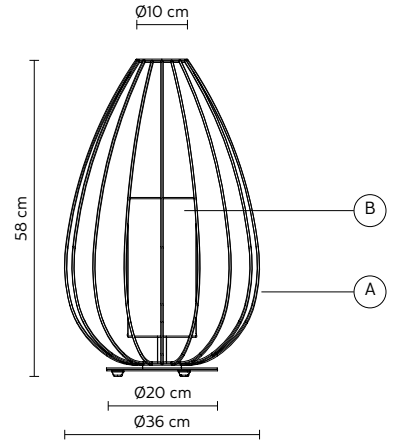
€ 1.265,00 vat not incl**A - LAMP** *corpo lampada* glossy bronze stainless steel - *tondino ferro bronzo lucido***B - LAMPSHADE** *paralume* white linen - *lino bianco***ELECTRICAL CABLE** *cavo elettrico* transparent 4 meters - *trasparente 4 metri***ELECTRICAL SYSTEM** *dispositivo elettrico* E27, 1x max 70W**OPTIONAL** *accessorio* bulb not provided - *lampadina non inclusa***PACKAGING** *imballo* 90x90x93 cm**NET WEIGHT** *peso netto* 13 KG **GROSS WEIGHT** *peso lordo* 16 KG

CELL floor lamp - lampada da terra
Matteo Ugolini design

M614B INDOOR
2011/2018

€ 430,00 vat not incl

A - LAMP <i>corpo lampada</i>	glossy white stainless steel - <i>tondino ferro bianco lucido</i>
B - LAMPSHADE <i>paralume</i>	white linen - <i>lino bianco</i>
ELECTRICAL CABLE <i>cavo elettrico</i>	transparent 4 meters - <i>trasparente 4 metri</i>
ELECTRICAL SYSTEM <i>dispositivo elettrico</i>	E27, 1x max 52W
OPTIONAL <i>accessorio</i>	bulb not provided - <i>lampadina non inclusa</i>
PACKAGING <i>imballo</i>	35x35x62 cm
NET WEIGHT <i>peso netto</i> 2,5 KG	GROSS WEIGHT <i>peso lordo</i> 3,5 KG

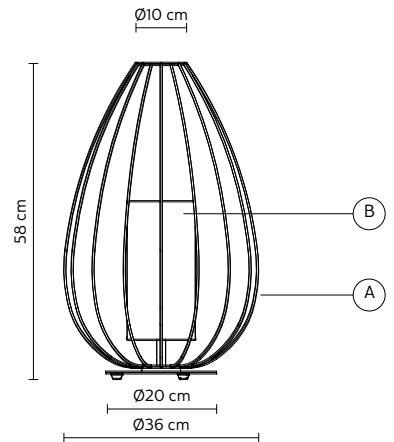


CELL floor lamp - lampada da terra
Matteo Ugolini design

CT614 CM INT INDOOR
2011/2018

€ 510,00 vat not incl

A - LAMP <i>corpo lampada</i>	glossy bronze stainless steel - <i>tondino ferro bronzo lucido</i>
B - LAMPSHADE <i>paralume</i>	white linen - <i>lino bianco</i>
ELECTRICAL CABLE <i>cavo elettrico</i>	transparent 4 meters - <i>trasparente 4 metri</i>
ELECTRICAL SYSTEM <i>dispositivo elettrico</i>	E27, 1x max 52W
OPTIONAL <i>accessorio</i>	bulb not provided - <i>lampadina non inclusa</i>
PACKAGING <i>imballo</i>	35x35x62 cm
NET WEIGHT <i>peso netto</i> 2,5 KG	GROSS WEIGHT <i>peso lordo</i> 3,5 KG

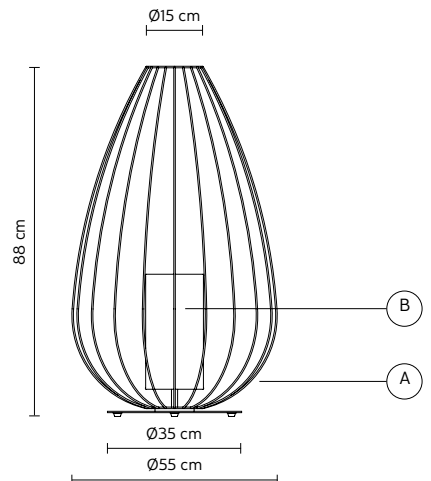


CELL floor lamp - lampada da terra
Matteo Ugolini design

M615B INDOOR
2012/2018

€ 645,00 vat not incl

A - LAMP <i>corpo lampada</i>	glossy white stainless steel - <i>tondino ferro bianco lucido</i>
B - LAMPSHADE <i>paralume</i>	white linen - <i>lino bianco</i>
ELECTRICAL CABLE <i>cavo elettrico</i>	transparent 4 meters - <i>trasparente 4 metri</i>
ELECTRICAL SYSTEM <i>dispositivo elettrico</i>	E27, 1x max 52W
OPTIONAL <i>accessorio</i>	bulb not provided - <i>lampadina non inclusa</i>
PACKAGING <i>imballo</i>	58x58x90 cm
NET WEIGHT <i>peso netto</i> 7,5 KG	GROSS WEIGHT <i>peso lordo</i> 9,5 KG

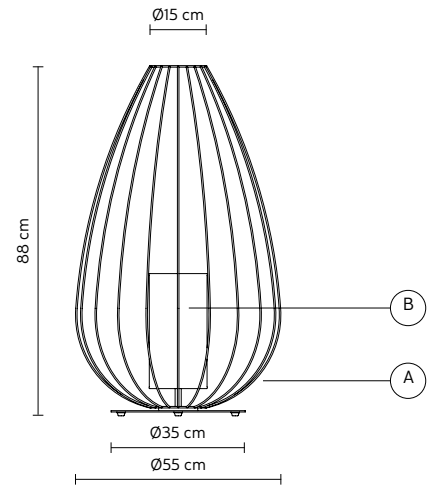


CELL floor lamp - lampada da terra
Matteo Ugolini design

HP615 DM INT INDOOR
2012/2018

€ 735,00 vat not incl

A - LAMP <i>corpo lampada</i>	glossy bronze stainless steel - <i>tondino ferro bronzo lucido</i>
B - LAMPSHADE <i>paralume</i>	white linen - <i>lino bianco</i>
ELECTRICAL CABLE <i>cavo elettrico</i>	transparent 4 meters - <i>trasparente 4 metri</i>
ELECTRICAL SYSTEM <i>dispositivo elettrico</i>	E27, 1x max 52W
OPTIONAL <i>accessorio</i>	bulb not provided - <i>lampadina non inclusa</i>
PACKAGING <i>imballo</i>	58x58x90 cm
NET WEIGHT <i>peso netto</i> 7,5 KG	GROSS WEIGHT <i>peso lordo</i> 9,5 KG

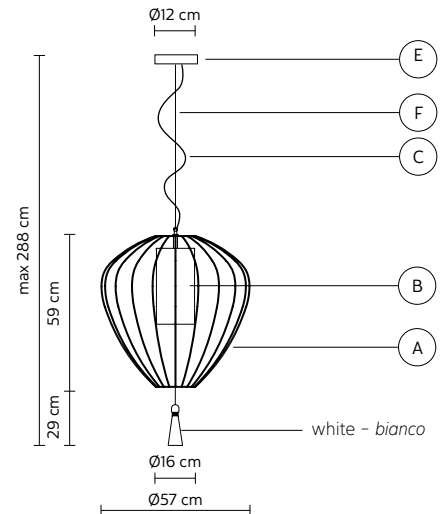


CELL pendant - sospensione
Matteo Ugolini design

SE612B INDOOR
2009/2018

€ 665,00 vat not incl

A - LAMP <i>corpo lampada</i>	glossy white stainless steel - <i>tondino ferro bianco lucido</i>
B - LAMPSHADE <i>paralume</i>	white linen - <i>lino bianco</i>
E - CEILING CUP <i>rosone</i>	glossy white metal - <i>metallo bianco lucido</i>
F - SUSPENSION CABLE <i>fune di sospensione</i>	steel 2 meters - <i>acciaio 2 metri</i>
C - ELECTRICAL CABLE <i>cavo elettrico</i>	transparent 2 meters - <i>2 metri trasparente</i>
OPTIONAL <i>accessorio</i>	bulb not provided - <i>lampadina non inclusa</i>
ELECTRICAL SYSTEM <i>dispositivo elettrico</i>	E27, 1x max 52W
PACKAGING <i>imballo</i>	62x62x65 cm
NET WEIGHT <i>peso netto</i> 2,4 KG	GROSS WEIGHT <i>peso lordo</i> 4,7 KG

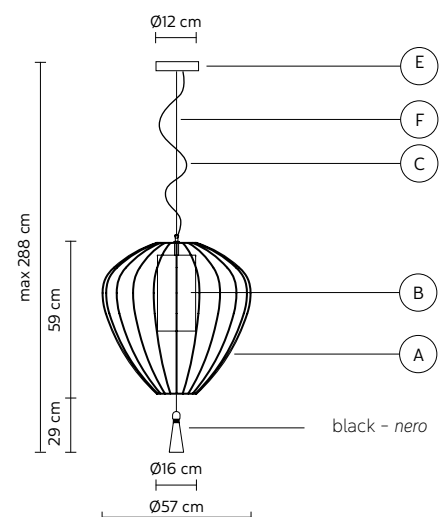


CELL pendant - sospensione
Matteo Ugolini design

SE612 AM INT INDOOR
2009/2018

€ 745,00 vat not incl

A - LAMP <i>corpo lampada</i>	glossy bronze stainless steel - <i>tondino ferro bronzo lucido</i>
B - LAMPSHADE <i>paralume</i>	white linen - <i>lino bianco</i>
E - CEILING CUP <i>rosone</i>	glossy black metal - <i>metallo nero lucido</i>
F - SUSPENSION CABLE <i>fune di sospensione</i>	steel 2 meters - <i>acciaio 2 metri</i>
C - ELECTRICAL CABLE <i>cavo elettrico</i>	transparent 2 meters - <i>2 metri trasparente</i>
OPTIONAL <i>accessorio</i>	bulb not provided - <i>lampadina non inclusa</i>
ELECTRICAL SYSTEM <i>dispositivo elettrico</i>	E27, 1x max 52W
PACKAGING <i>imballo</i>	62x62x65 cm
NET WEIGHT <i>peso netto</i> 2,4 KG	GROSS WEIGHT <i>peso lordo</i> 4,7 KG



CELL pendant - sospensione

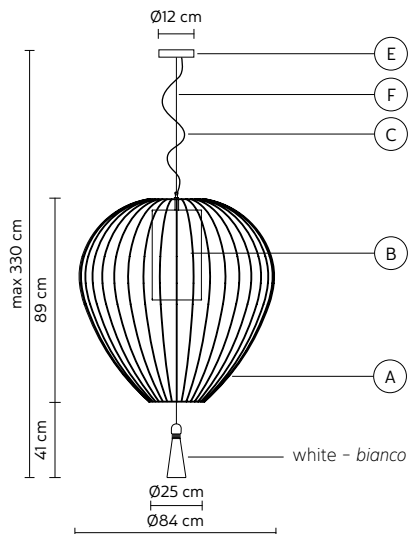
Matteo Ugolini design

SE613B INDOOR

2009/2018

€ 1.080,00 vat not incl**A - LAMP** *corpo lampada* glossy white stainless steel - *tondino ferro bianco lucido***B - LAMPSHADE** *paralume* white linen - *lino bianco***E - CEILING CUP** *rosone* glossy white metal - *metallo bianco lucido***F - SUSPENSION CABLE** *fune di sospensione* steel 2 meters - *acciaio 2 metri***C - ELECTRICAL CABLE** *cavo elettrico* transparent 2 meters - *2 metri trasparente***OPTIONAL** *accessorio* bulb not provided - *lampadina non inclusa***ELECTRICAL SYSTEM** *dispositivo elettrico* E27, 1x max 52W**PACKAGING** *imballo* 90x90x93 cm**NET WEIGHT** *peso netto* 8,5 KG **GROSS WEIGHT** *peso lordo* 11,5 KG

IP20

**CELL** pendant - sospensione

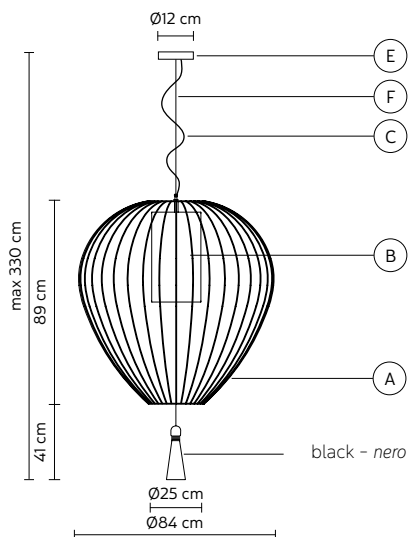
Matteo Ugolini design

SE613 BM INT INDOOR

2009/2018

€ 1.205,00 vat not incl**A - LAMP** *corpo lampada* glossy bronze stainless steel - *tondino ferro bronzo lucido***B - LAMPSHADE** *paralume* white linen - *lino bianco***E - CEILING CUP** *rosone* glossy black metal - *metallo nero lucido***F - SUSPENSION CABLE** *fune di sospensione* steel 2 meters - *acciaio 2 metri***C - ELECTRICAL CABLE** *cavo elettrico* transparent 2 meters - *2 metri trasparente***OPTIONAL** *accessorio* bulb not provided - *lampadina non inclusa***ELECTRICAL SYSTEM** *dispositivo elettrico* E27, 1x max 52W**PACKAGING** *imballo* 90x90x93 cm**NET WEIGHT** *peso netto* 8,5 KG **GROSS WEIGHT** *peso lordo* 11,5 KG

IP20

**CELL** pendant - sospensione

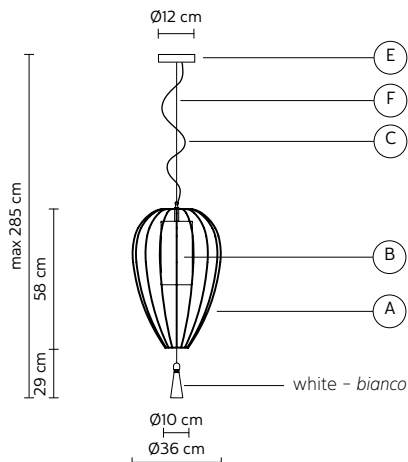
Matteo Ugolini design

SE614B INDOOR

2009

€ 530,00 vat not incl**A - LAMP** *corpo lampada* glossy white stainless steel - *tondino ferro bianco lucido***B - LAMPSHADE** *paralume* white linen - *lino bianco***E - CEILING CUP** *rosone* glossy white metal - *metallo bianco lucido***F - SUSPENSION CABLE** *fune di sospensione* steel 2 meters - *acciaio 2 metri***C - ELECTRICAL CABLE** *cavo elettrico* transparent 2 meters - *2 metri trasparente***OPTIONAL** *accessorio* bulb not provided - *lampadina non inclusa***ELECTRICAL SYSTEM** *dispositivo elettrico* E27, 1x max 42W**PACKAGING** *imballo* 35x35x62 cm**NET WEIGHT** *peso netto* 2 KG **GROSS WEIGHT** *peso lordo* 2,9 KG

IP20

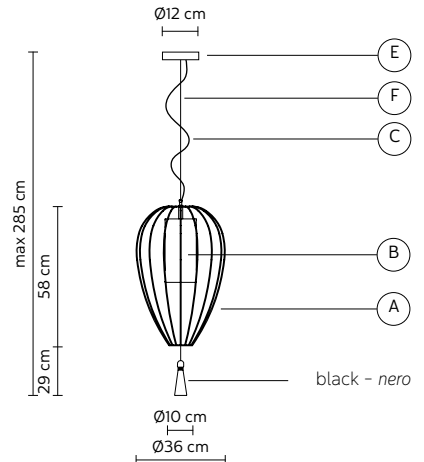


CELL pendant - sospensione
Matteo Ugolini design

SE614 CM INT INDOOR
2018

€ 620,00 vat not incl

A - LAMP <i>corpo lampada</i>	glossy bronze stainless steel - <i>tondino ferro bronzo lucido</i>
B - LAMPSHADE <i>paralume</i>	white linen - <i>lino bianco</i>
E - CEILING CUP <i>rosone</i>	glossy black metal - <i>metallo nero lucido</i>
F - SUSPENSION CABLE <i>fune di sospensione</i>	steel 2 meters - <i>acciaio 2 metri</i>
C - ELECTRICAL CABLE <i>cavo elettrico</i>	transparent 2 meters - <i>2 metri trasparente</i>
OPTIONAL <i>accessorio</i>	bulb not provided - <i>lampadina non inclusa</i>
ELECTRICAL SYSTEM <i>dispositivo elettrico</i>	E27, 1x max 42W
PACKAGING <i>imballo</i>	35x35x62 cm
NET WEIGHT <i>peso netto</i>	2 KG
GROSS WEIGHT <i>peso lordo</i>	2,9 KG

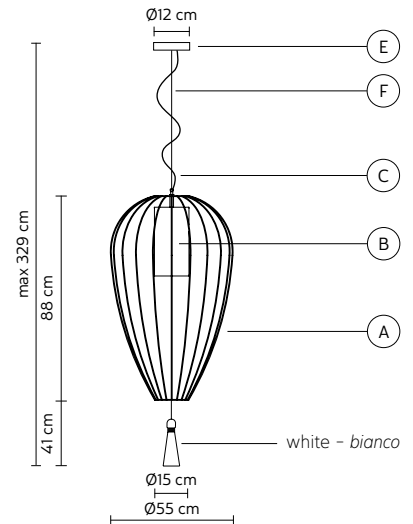


CELL pendant - sospensione
Matteo Ugolini design

SE615B INDOOR
2009

€ 685,00 vat not incl

A - LAMP <i>corpo lampada</i>	glossy white stainless steel - <i>tondino ferro bianco lucido</i>
B - LAMPSHADE <i>paralume</i>	white linen - <i>lino bianco</i>
E - CEILING CUP <i>rosone</i>	glossy white metal - <i>metallo bianco lucido</i>
F - SUSPENSION CABLE <i>fune di sospensione</i>	steel 2 meters - <i>acciaio 2 metri</i>
C - ELECTRICAL CABLE <i>cavo elettrico</i>	transparent 2 meters - <i>2 metri trasparente</i>
OPTIONAL <i>accessorio</i>	bulb not provided - <i>lampadina non inclusa</i>
ELECTRICAL SYSTEM <i>dispositivo elettrico</i>	E27, 1x max 52W
PACKAGING <i>imballo</i>	58x58x90 cm
NET WEIGHT <i>peso netto</i>	5 KG
GROSS WEIGHT <i>peso lordo</i>	7 KG

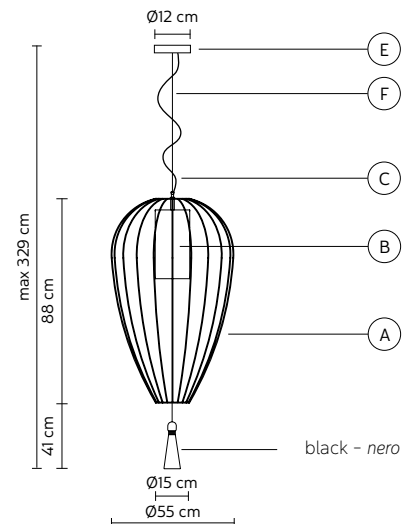


CELL pendant - sospensione
Matteo Ugolini design

SE615 DM INT INDOOR
2018

€ 800,00 vat not incl

A - LAMP <i>corpo lampada</i>	glossy bronze stainless steel - <i>tondino ferro bronzo lucido</i>
B - LAMPSHADE <i>paralume</i>	white linen - <i>lino bianco</i>
E - CEILING CUP <i>rosone</i>	glossy black metal - <i>metallo nero lucido</i>
F - SUSPENSION CABLE <i>fune di sospensione</i>	steel 2 meters - <i>acciaio 2 metri</i>
C - ELECTRICAL CABLE <i>cavo elettrico</i>	transparent 2 meters - <i>2 metri trasparente</i>
OPTIONAL <i>accessorio</i>	bulb not provided - <i>lampadina non inclusa</i>
ELECTRICAL SYSTEM <i>dispositivo elettrico</i>	E27, 1x max 52W
PACKAGING <i>imballo</i>	58x58x90 cm
NET WEIGHT <i>peso netto</i>	5 KG
GROSS WEIGHT <i>peso lordo</i>	7 KG



CERAUNAVOLTA pendant - sospensione
shape - forma "C"

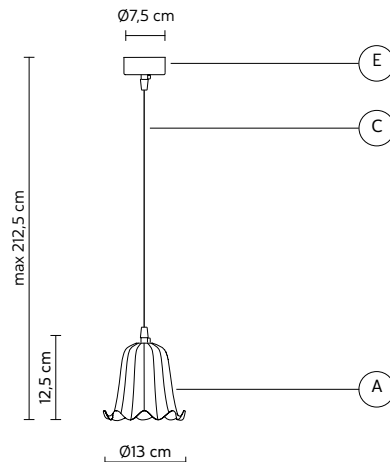
SE134 3S INT INDOOR
SE134 3T INT INDOOR

€ 395,00 vat not incl

Matteo Ugolini & Edmondo Testaguzza design

2018

A - LAMPSHADE <i>paralume</i>	transparent glass - vetro trasparente SE134 3S INT tiffany glass - vetro tiffany SE134 3T INT
E - CEILING CUP <i>rosone</i>	matt white metal - metallo bianco opaco
C - ELECTRICAL CABLE <i>cavo elettrico</i>	transparent 2 meters - 2 metri trasparente
ELECTRICAL SYSTEM <i>dispositivo elettrico</i>	G9, 1x max 33W
OPTIONAL <i>accessorio</i>	bulb not provided - lampadina non inclusa 700G pag. 137
PACKAGING <i>imballo</i>	24x24x39 cm
NET WEIGHT <i>peso netto</i> 0,8 KG	GROSS WEIGHT <i>peso lordo</i> 1,4 KG



CERAUNAVOLTA pendant - sospensione
shape - forma "F"

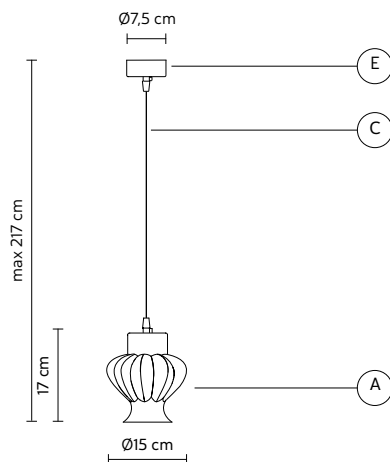
SE134 4S INT INDOOR
SE134 4T INT INDOOR

€ 340,00 vat not incl

Matteo Ugolini & Edmondo Testaguzza design

2018

A - LAMPSHADE <i>paralume</i>	transparent glass - vetro trasparente SE134 4S INT tiffany glass - vetro tiffany SE134 4T INT
E - CEILING CUP <i>rosone</i>	matt white metal - metallo bianco opaco
C - ELECTRICAL CABLE <i>cavo elettrico</i>	transparent 2 meters - 2 metri trasparente
ELECTRICAL SYSTEM <i>dispositivo elettrico</i>	G9, 1x max 33W
OPTIONAL <i>accessorio</i>	bulb not provided - lampadina non inclusa 700G pag. 137
PACKAGING <i>imballo</i>	24x24x39 cm
NET WEIGHT <i>peso netto</i> 1 KG	GROSS WEIGHT <i>peso lordo</i> 1,5 KG



CERAUNAVOLTA pendant - sospensione
shape - forma "H"

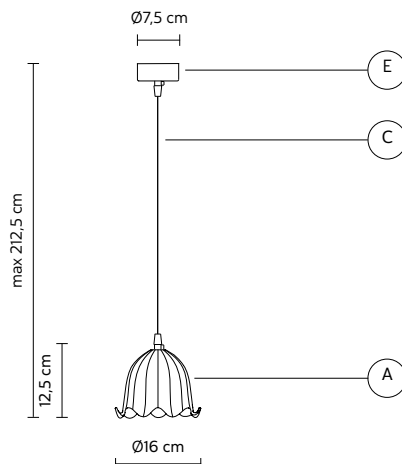
SE134 5S INT INDOOR
SE134 5T INT INDOOR

€ 395,00 vat not incl

Matteo Ugolini & Edmondo Testaguzza design

2018

A - LAMPSHADE <i>paralume</i>	transparent glass - vetro trasparente SE134 5S INT tiffany glass - vetro tiffany SE134 5T INT
E - CEILING CUP <i>rosone</i>	matt white metal - metallo bianco opaco
C - ELECTRICAL CABLE <i>cavo elettrico</i>	transparent 2 meters - 2 metri trasparente
ELECTRICAL SYSTEM <i>dispositivo elettrico</i>	G9, 1x max 33W
OPTIONAL <i>accessorio</i>	bulb not provided - lampadina non inclusa 700G pag. 137
PACKAGING <i>imballo</i>	24x24x39 cm
NET WEIGHT <i>peso netto</i> 0,8 KG	GROSS WEIGHT <i>peso lordo</i> 1,4 KG



CERAUNAVOLTA pendant - sospensione
shape - forma "A"

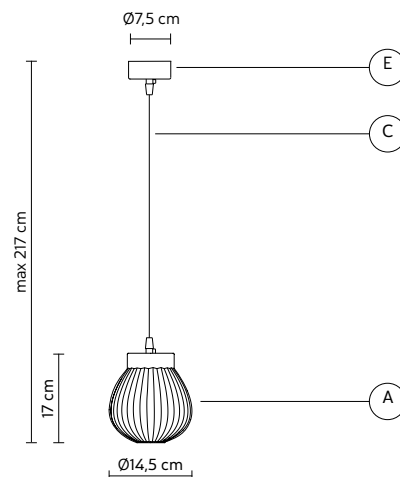
SE135 1S INT INDOOR
SE135 1T INT INDOOR

€ 340,00 vat not incl

Matteo Ugolini & Edmondo Testaguzza design

2016/2018

A - LAMPSHADE <i>paralume</i>	transparent glass - vetro trasparente SE135 1S INT tiffany glass - vetro tiffany SE135 1T INT
E - CEILING CUP <i>rosone</i>	matt white metal - metallo bianco opaco
C - ELECTRICAL CABLE <i>cavo elettrico</i>	transparent 2 meters - 2 metri trasparente
ELECTRICAL SYSTEM <i>dispositivo elettrico</i>	G9, 1x max 33W
OPTIONAL <i>accessorio</i>	bulb not provided - lampadina non inclusa 700G pag. 137
PACKAGING <i>imballo</i>	24x24x39 cm
NET WEIGHT <i>peso netto</i> 1 KG	GROSS WEIGHT <i>peso lordo</i> 1,7 KG



CERAUNAVOLTA pendant - sospensione
shape - forma "G"

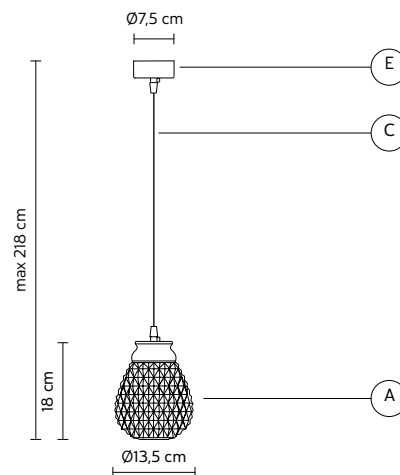
SE135 3S INT INDOOR
SE135 3T INT INDOOR

€ 340,00 vat not incl

Matteo Ugolini & Edmondo Testaguzza design

2016/2018

A - LAMPSHADE <i>paralume</i>	transparent glass - vetro trasparente SE135 3S INT tiffany glass - vetro tiffany SE135 3T INT
E - CEILING CUP <i>rosone</i>	matt white metal - metallo bianco opaco
C - ELECTRICAL CABLE <i>cavo elettrico</i>	transparent 2 meters - 2 metri trasparente
ELECTRICAL SYSTEM <i>dispositivo elettrico</i>	G9, 1x max 33W
OPTIONAL <i>accessorio</i>	bulb not provided - lampadina non inclusa 700G pag. 137
PACKAGING <i>imballo</i>	24x24x39 cm
NET WEIGHT <i>peso netto</i> 0,9 KG	GROSS WEIGHT <i>peso lordo</i> 1,6 KG



CERAUNAVOLTA pendant - sospensione
shape - forma "L"

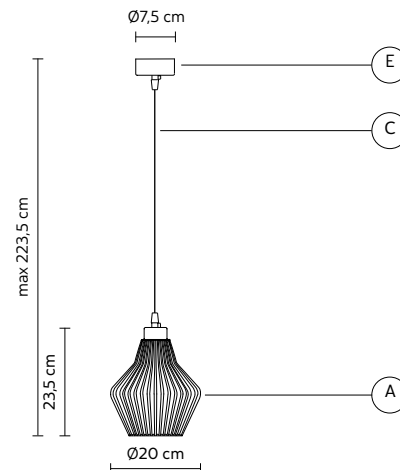
SE135 5S INT INDOOR
SE135 5T INT INDOOR

€ 370,00 vat not incl

Matteo Ugolini & Edmondo Testaguzza design

2016/2018

A - LAMPSHADE <i>paralume</i>	transparent glass - vetro trasparente SE135 5S INT tiffany glass - vetro tiffany SE135 5T INT
E - CEILING CUP <i>rosone</i>	matt white metal - metallo bianco opaco
C - ELECTRICAL CABLE <i>cavo elettrico</i>	transparent 2 meters - 2 metri trasparente
ELECTRICAL SYSTEM <i>dispositivo elettrico</i>	G9, 1x max 33W
OPTIONAL <i>accessorio</i>	bulb not provided - lampadina non inclusa 700G pag. 137
PACKAGING <i>imballo</i>	24x24x39 cm
NET WEIGHT <i>peso netto</i> 1,5 KG	GROSS WEIGHT <i>peso lordo</i> 2 KG

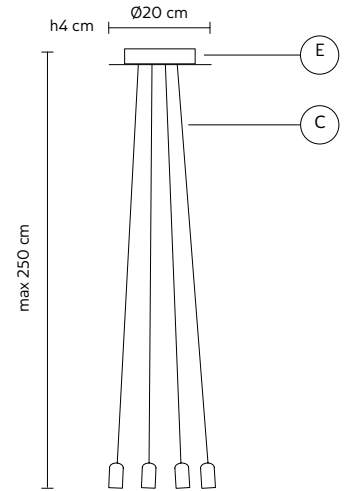


CERAUNAVOLTA pendant - sospensione **SE134 1S INT** INDOOR
 Matteo Ugolini & Edmondo Testaguzza design 2016/2018

€ 500,00 vat not incl

E - CEILING CUP <i>rosone</i>	matt white metal - metallo bianco opaco
C - ELECTRICAL CABLE <i>cavo elettrico</i>	transparent 2,5 meters - 2,5 metri trasparente
ELECTRICAL SYSTEM <i>dispositivo elettrico</i>	E27, 4x max 20W LED
OPTIONAL <i>accessorio</i>	bulb not provided - lampadina non inclusa
PACKAGING <i>imballo</i>	31x31x23 cm
NET WEIGHT <i>peso netto</i> 3,2 KG	GROSS WEIGHT <i>peso lordo</i> 4,4 KG

*Max (33KG) 34 shapes-forme

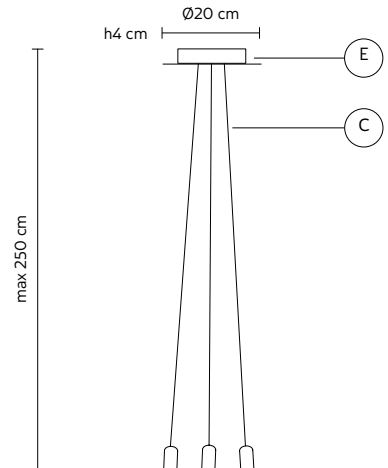


CERAUNAVOLTA pendant - sospensione **SE134 2S INT** INDOOR
 Matteo Ugolini & Edmondo Testaguzza design 2016/2018

€ 455,00 vat not incl

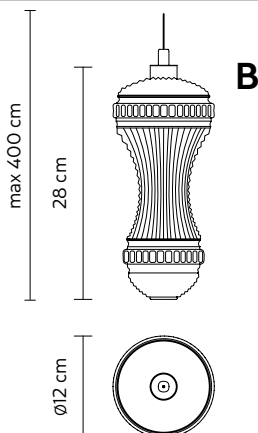
E - CEILING CUP <i>rosone</i>	matt white metal - metallo bianco opaco
C - ELECTRICAL CABLE <i>cavo elettrico</i>	transparent 2,5 meters - 2,5 metri trasparente
ELECTRICAL SYSTEM <i>dispositivo elettrico</i>	E27, 3x max 20W LED
OPTIONAL <i>accessorio</i>	bulb not provided - lampadina non inclusa
PACKAGING <i>imballo</i>	31x31x23 cm
NET WEIGHT <i>peso netto</i> 2,5 KG	GROSS WEIGHT <i>peso lordo</i> 3,4 KG

*Max (33KG) 34 shapes-forme



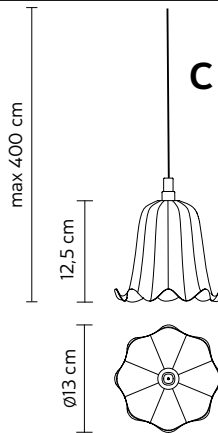
€ 200,00 vat

AC134 2S INT	transparent glass - trasparente
AC134 2T INT	tiffany glass - vetro tiffany
NET WEIGHT	<i>peso netto</i> 0,75 KG



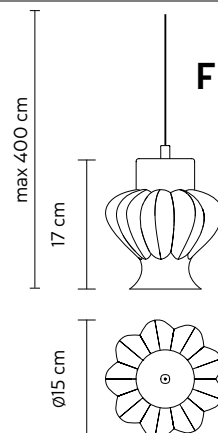
€ 255,00 vat not incl

AC134 3S INT	transparent glass - trasparente
AC134 3T INT	tiffany glass - vetro tiffany
NET WEIGHT	<i>peso netto</i> 0,25 KG



€ 200,00 vat

AC134 4S INT	transparent glass - trasparente
AC134 4T INT	tiffany glass - vetro tiffany
NET WEIGHT	<i>peso netto</i> 0,45 KG

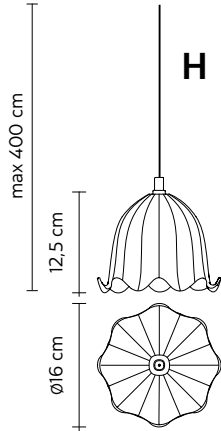


€ 255,00 vat not incl

AC134 5S INT transparent glass-trasparente

AC134 5T INT tiffany glass - vetro tiffany

NET WEIGHT peso netto 0,30 KG

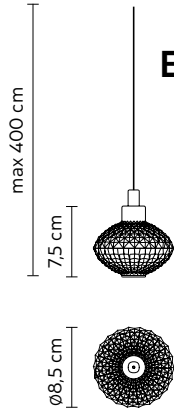


€ 160,00 vat not incl

AC134 6S INT transparent glass-trasparente

AC134 6T INT tiffany glass - vetro tiffany

NET WEIGHT peso netto 0,15 KG

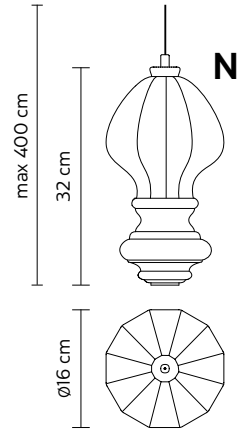


€ 220,00 vat not incl

AC134 7S INT transparent glass-trasparente

AC134 7T INT tiffany glass - vetro tiffany

NET WEIGHT peso netto 0,95 KG

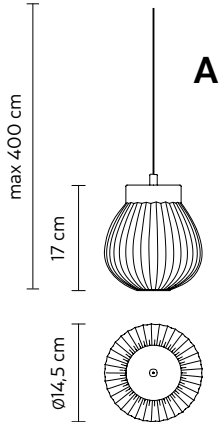


€ 200,00 vat not incl

AC135 1S INT transparent glass-trasparente

AC135 1T INT tiffany glass - vetro tiffany

NET WEIGHT peso netto 0,65 KG

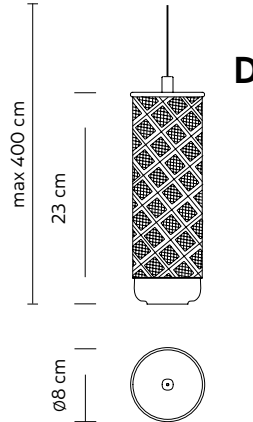


€ 200,00 vat not incl

AC135 2S INT transparent glass-trasparente

AC135 2T INT tiffany glass - vetro tiffany

NET WEIGHT peso netto 0,55 KG

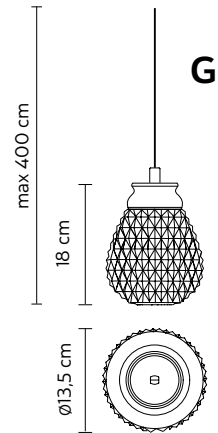


€ 200,00 vat not incl

AC135 3S INT transparent glass-trasparente

AC135 3T INT tiffany glass - vetro tiffany

NET WEIGHT peso netto 0,65 KG

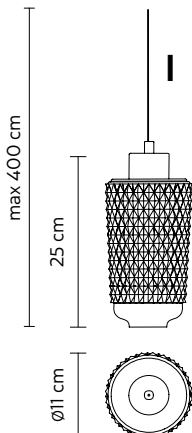


€ 200,00 vat not incl

AC135 4S INT transparent glass-trasparente

AC135 4T INT tiffany glass - vetro tiffany

NET WEIGHT peso netto 0,55 KG

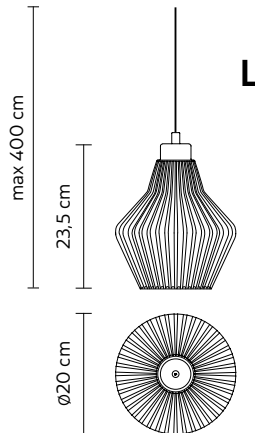


€ 220,00 vat not incl

AC135 5S INT transparent glass-trasparente

AC135 5T INT tiffany glass - vetro tiffany

NET WEIGHT peso netto 0,95 KG

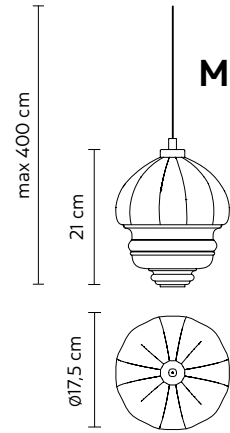


€ 220,00 vat not incl

AC135 6S INT transparent glass-trasparente

AC135 6T INT tiffany glass - vetro tiffany

NET WEIGHT peso netto 0,80 KG



CERAUNAVOLTA pendant - sospensione **SE134 2S 00A** INDOOR
SE134 2T 00A INDOOR

€ 2.845,00 vat not incl

Matteo Ugolini & Edmondo Testaguzza design

2016/2018

A - LAMPSHADE *paralume*

transparent glass - *vetro trasparente* **SE134 2S 00A**
 tiffany glass - *vetro tiffany* **SE134 2T 00A**

SE134 2S 00A (tot 12 elements)

SE134 2S INT	n. 1	pag.36
AC134 2S INT	n. 1	pag.36
AC134 3S INT	n. 2	pag.36
AC134 5S INT	n. 1	pag.37
AC134 6S INT	n. 1	pag.37
AC134 7S INT	n. 2	pag.37
AC135 1S INT	n. 1	pag.37
AC135 2S INT	n. 1	pag.37
AC135 3S INT	n. 1	pag.37
AC135 4S INT	n. 1	pag.37
AC135 6S INT	n. 1	pag.37

SE134 2T 00A (tot 12 elements)

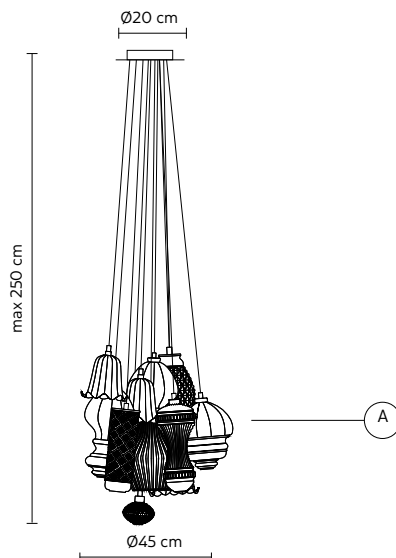
SE134 2S INT	n. 1	pag.36
AC134 2T INT	n. 1	pag.36
AC134 3T INT	n. 2	pag.36
AC134 5T INT	n. 1	pag.37
AC134 6T INT	n. 1	pag.37
AC134 7T INT	n. 2	pag.37
AC135 1T INT	n. 1	pag.37
AC135 2T INT	n. 1	pag.37
AC135 3T INT	n. 1	pag.37
AC135 4T INT	n. 1	pag.37
AC135 6T INT	n. 1	pag.37

PACKAGING *imballo*

80x70x107 cm

NET WEIGHT *peso netto* 10 KG

GROSS WEIGHT *peso lordo* 25 KG



CERAUNAVOLTA pendant - sospensione **SE134 3S 00C** INDOOR
SE134 3T 00C INDOOR

€ 3.830,00 vat not incl

Matteo Ugolini & Edmondo Testaguzza design

2018

A - LAMPSHADE *paralume*

transparent glass - *vetro trasparente* **SE134 3S 00C**
 tiffany glass - *vetro tiffany* **SE134 3T 00C**

SE134 3S 00C (tot 17 elements)

SE134 2S INT	n. 1	pag.36
AC134 2S INT	n. 1	pag.36
AC134 3S INT	n. 2	pag.36
AC134 4S INT	n. 1	pag.36
AC134 5S INT	n. 1	pag.37
AC134 6S INT	n. 1	pag.37
AC134 7S INT	n. 2	pag.37
AC135 1S INT	n. 2	pag.37
AC135 2S INT	n. 1	pag.37
AC135 3S INT	n. 2	pag.37
AC135 4S INT	n. 2	pag.37
AC135 5S INT	n. 1	pag.37
AC135 6S INT	n. 1	pag.37

SE134 3T 00C (tot 17 elements)

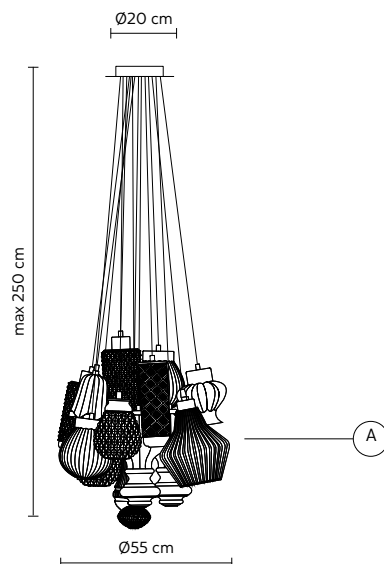
SE134 2S INT	n. 1	pag.36
AC134 2T INT	n. 1	pag.36
AC134 3T INT	n. 2	pag.36
AC134 4T INT	n. 1	pag.36
AC134 5T INT	n. 1	pag.37
AC134 6T INT	n. 1	pag.37
AC134 7T INT	n. 2	pag.37
AC135 1T INT	n. 2	pag.37
AC135 2T INT	n. 1	pag.37
AC135 3T INT	n. 2	pag.37
AC135 4T INT	n. 2	pag.37
AC135 5T INT	n. 1	pag.37
AC135 6T INT	n. 1	pag.37

PACKAGING *imballo*

80x70x150 cm

NET WEIGHT *peso netto* 15 KG

GROSS WEIGHT *peso lordo* 33 KG



CERAUNAVOLTA pendant - sospensione **SE134 1S 00D** INDOOR
SE134 1T 00D INDOOR

€ 4.650,00 vat not incl

Matteo Ugolini & Edmondo Testaguzza design

2016/2018

A - LAMPSHADE *paralume*

transparent glass - *vetro trasparente* **SE134 1S 00D**
 tiffany glass - *vetro tiffany* **SE134 1T 00D**

SE134 1S 00D (tot 22 elements)

SE134 1S INT	n. 1	pag.36
AC134 2S INT	n. 2	pag.36
AC134 3S INT	n. 2	pag.36
AC134 4S INT	n. 2	pag.36
AC134 5S INT	n. 1	pag.37
AC134 6S INT	n. 2	pag.37
AC134 7S INT	n. 3	pag.37
AC135 1S INT	n. 2	pag.37
AC135 2S INT	n. 1	pag.37
AC135 3S INT	n. 2	pag.37
AC135 4S INT	n. 2	pag.37
AC135 5S INT	n. 1	pag.37
AC135 6S INT	n. 2	pag.37

SE134 1T 00D (tot 22 elements)

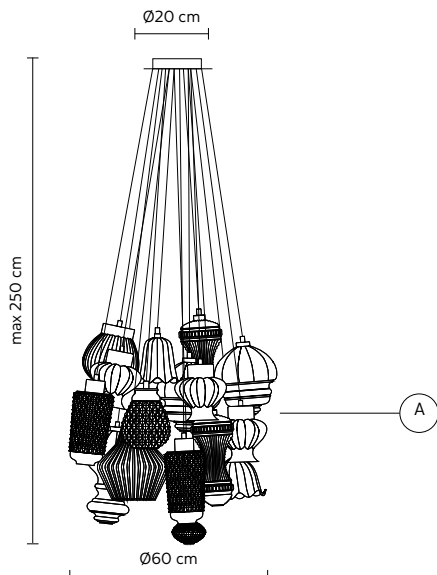
SE134 1S INT	n. 1	pag.36
AC134 2T INT	n. 2	pag.36
AC134 3T INT	n. 2	pag.36
AC134 4T INT	n. 2	pag.36
AC134 5T INT	n. 1	pag.37
AC134 6T INT	n. 2	pag.37
AC134 7T INT	n. 3	pag.37
AC135 1T INT	n. 2	pag.37
AC135 2T INT	n. 1	pag.37
AC135 3T INT	n. 2	pag.37
AC135 4T INT	n. 2	pag.37
AC135 5T INT	n. 1	pag.37
AC135 6T INT	n. 2	pag.37

PACKAGING *imballo*

80x70x180 cm

NET WEIGHT *peso netto* 20 KG

GROSS WEIGHT *peso lordo* 40 KG



CIRCUS pendant - sospensione

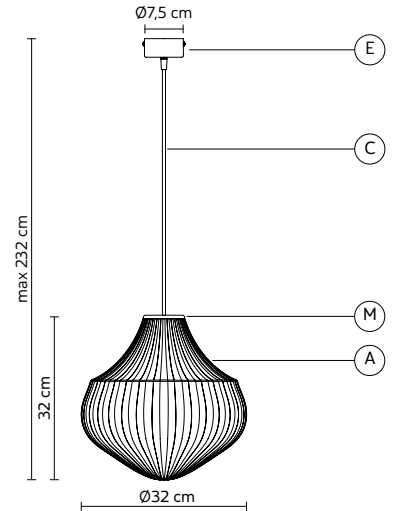
Matteo Ugolini & Edmondo Testaguzza design

SE258 AB INT INDOOR

2021

€ 665,00 vat not incl

A - LAMPSHADE <i>paralume</i>	filigree white glass - vetro bianco in filigrana
M - COVER <i>coperchio</i>	matt black aluminum - alluminio nero opaco
E - CEILING CUP <i>rosone</i>	matt black metal - metallo nero opaco
C - ELECTRICAL CABLE <i>cavo elettrico</i>	black 2 meters - 2 metri nero
OPTIONAL <i>accessorio</i>	bulb not provided - lampadina non inclusa
ELECTRICAL SYSTEM <i>dispositivo elettrico</i>	E27, 1x max 53W
PACKAGING <i>imballo</i>	50x50x50 cm
NET WEIGHT <i>peso netto</i>	2,6 KG
GROSS WEIGHT <i>peso lordo</i>	3,7 KG

**CIRCUS** pendant - sospensione

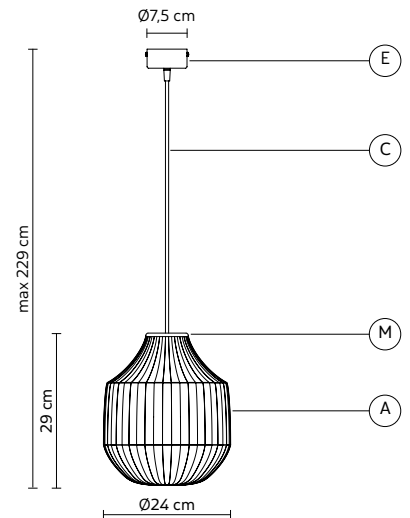
Matteo Ugolini & Edmondo Testaguzza design

SE258 BB INT INDOOR

2021

€ 630,00 vat not incl

A - LAMPSHADE <i>paralume</i>	filigree white glass - vetro bianco in filigrana
M - COVER <i>coperchio</i>	matt black aluminum - alluminio nero opaco
E - CEILING CUP <i>rosone</i>	matt black metal - metallo nero opaco
C - ELECTRICAL CABLE <i>cavo elettrico</i>	black 2 meters - 2 metri nero
OPTIONAL <i>accessorio</i>	bulb not provided - lampadina non inclusa
ELECTRICAL SYSTEM <i>dispositivo elettrico</i>	E27, 1x max 53W
PACKAGING <i>imballo</i>	34x34x52 cm
NET WEIGHT <i>peso netto</i>	1,9 KG
GROSS WEIGHT <i>peso lordo</i>	2,9 KG

**CIRCUS** pendant - sospensione

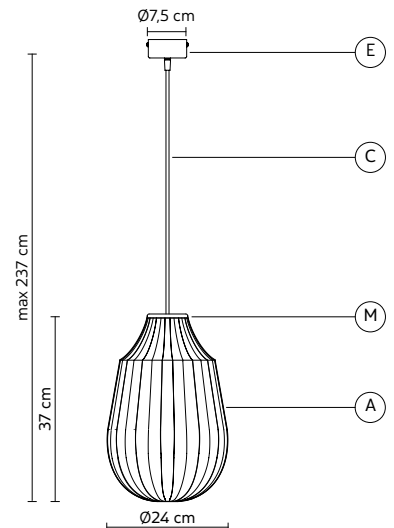
Matteo Ugolini & Edmondo Testaguzza design

SE258 CB INT INDOOR

2021

€ 665,00 vat not incl

A - LAMPSHADE <i>paralume</i>	filigree white glass - vetro bianco in filigrana
M - COVER <i>coperchio</i>	matt black aluminum - alluminio nero opaco
E - CEILING CUP <i>rosone</i>	matt black metal - metallo nero opaco
C - ELECTRICAL CABLE <i>cavo elettrico</i>	black 2 meters - 2 metri nero
OPTIONAL <i>accessorio</i>	bulb not provided - lampadina non inclusa
ELECTRICAL SYSTEM <i>dispositivo elettrico</i>	E27, 1x max 53W
PACKAGING <i>imballo</i>	34x34x52 cm
NET WEIGHT <i>peso netto</i>	2,4 KG
GROSS WEIGHT <i>peso lordo</i>	3,4 KG



CORRADO wall lamp - applique**AP251 BC INT** INDOOR€ 590,00 vat not incl**AP251 GR INT** INDOOR€ 630,00 vat not incl**AP251 NR INT** INDOOR€ 735,00 vat not incl

Matteo Ugolini design

2021

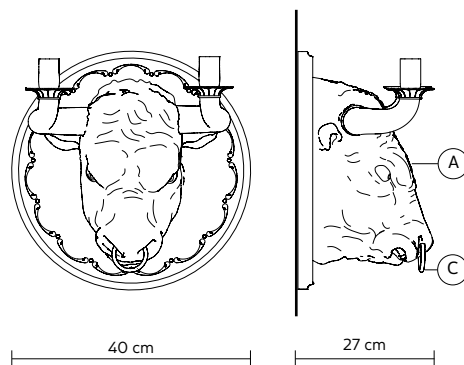
matt white ceramic - *ceramica bianca opaca* **AP251 BC INT**
 matt grey ceramic - *ceramica grigia opaca* **AP251 GR INT**
 black velvet ceramic - *ceramica vellutata nera* **AP251 NR INT**

A - LAMP *corpo lampada***C - RING** *anello*brass - *ottone***ELECTRICAL SYSTEM** *dispositivo elettrico*

E14, 2x max 46W

OPTIONAL *accessorio*bulbs not provided - *lampadina non inclusa***BULBS** *lampadine*only plastic bulbs - *solo lampadine in plastica* **700C** pag. 137**PACKAGING** *imballo*

51x51x40 cm

NET WEIGHT *peso netto* 5,6 KG**GROSS WEIGHT** *peso lordo* 8,2 KG**CUBANO** wall lamp - applique**AP142 1B INT** INDOOR€ 550,00 vat not incl

Matteo Ugolini design

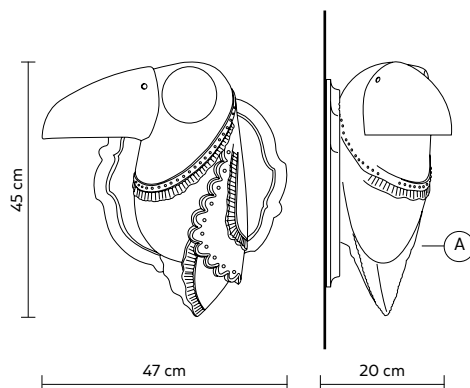
2017

A - LAMP *corpo lampada*matt white ceramic - *ceramica bianca opaca***ELECTRICAL SYSTEM** *dispositivo elettrico*

E27, 1x max 52W

OPTIONAL *accessorio*bulb not provided - *lampadina non inclusa***BULBS** *lampadine*only plastic bulb - *solo lampadine in plastica* **700B** pag. 136**PACKAGING** *imballo*

56x56x32 cm

NET WEIGHT *peso netto* 4,4 KG**GROSS WEIGHT** *peso lordo* 6 KG**CUPIDO** pendant - sospensione**SE194 A1 INT** INDOOR€ 775,00 vat not incl

Matteo Ugolini design

2020

A - LAMP *corpo lampada*matt black aluminum - *alluminio nero opaca***SHADE** *diffusore*polycarbonate opal - *poli carbonato opale***E - CEILING CUP** *rosone*matt black metal - *metallo nero opaca***F - SUSPENSION CABLE** *fune di sospensione*steel 2 meters - *acciaio 2 metri***C - ELECTRICAL CABLE** *cavo elettrico*black 2 meters - *2 metri nero***ELECTRICAL SYSTEM** *dispositivo elettrico*

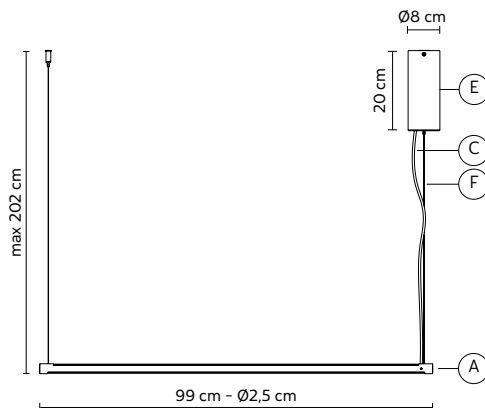
LED 24V*, 36W, 3920lm CRI>90

OPTIONAL *accessorio*power supply equipped - *alimentatore incluso***PACKAGING** *imballo*

10x10x160 cm

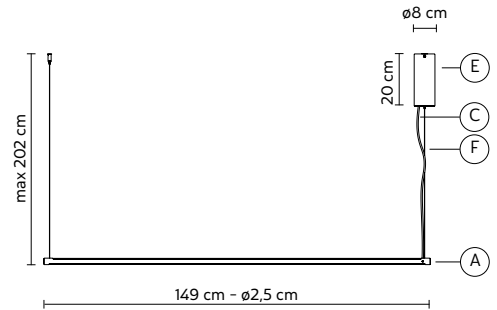
NET WEIGHT *peso netto* 2,7 KG**GROSS WEIGHT** *peso lordo* 4,2 KG

*(dimmerazione/bianco dinamico tramite APP)
 *(dimmable/tunable white 2700K-5000K by APP)
 "Karmar bluetooth controller" (play store/app store apple)



A - LAMP <i>corpo lampada</i>	matt black aluminum - <i>alluminio nero opaco</i>
SHADE <i>diffusore</i>	polycarbonate opal - <i>policarbonato opale</i>
E - CEILING CUP <i>rosone</i>	matt black metal - <i>metallo nero opaco</i>
F - SUSPENSION CABLE <i>fune di sospensione</i>	steel 2 meters - <i>acciaio 2 metri</i>
C - ELECTRICAL CABLE <i>cavo elettrico</i>	black 2 meters - <i>2 metri nero</i>
ELECTRICAL SYSTEM <i>dispositivo elettrico</i>	LED 24V*, 52W, 5880lm CRI≥90
OPTIONAL <i>accessorio</i>	power supply equipped - <i>alimentatore incluso</i>
PACKAGING <i>imballo</i>	10x10x210 cm
NET WEIGHT <i>peso netto</i> 3,2 KG	GROSS WEIGHT <i>peso lordo</i> 5,2 KG

*(dimmerazione/bianco dinamico tramite APP)
*(dimmable/tunable white 2700K-5000K by APP)
"Karman bluetooth controller" (play store/app store apple)



CUPIDO optional - accessorio

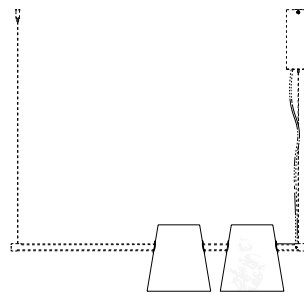
AC184 AB INT INDOOR

AC184 AC INT INDOOR

Matteo Ugolini design

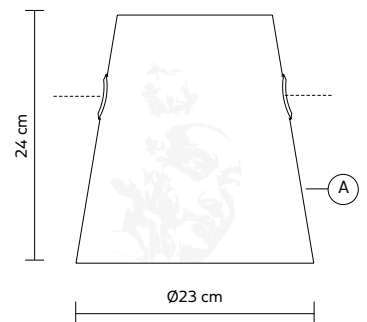
2019

A - LAMPSHADE <i>paralume</i>	charcoal grey cotton - <i>cotone grigio antracite</i>
PACKAGING <i>imballo</i>	56x56x32 cm
NET WEIGHT <i>peso netto</i> 0,5 KG	GROSS WEIGHT <i>peso lordo</i> 1,2 KG



*printed - *stampato* € **180,00** vat not incl

not printed - *non stampato* € **135,00** vat not incl



*inner print
stampa interna

CUPIDO optional - accessorio

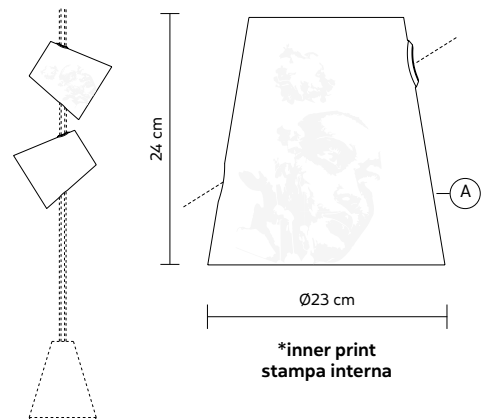
AC184 BB INT INDOOR

AC184 BC INT INDOOR

Matteo Ugolini design

2019

A - LAMPSHADE <i>paralume</i>	charcoal grey cotton - <i>cotone grigio antracite</i>
PACKAGING <i>imballo</i>	56x56x32 cm
NET WEIGHT <i>peso netto</i> 0,5 KG	GROSS WEIGHT <i>peso lordo</i> 1,2 KG



*inner print
stampa interna

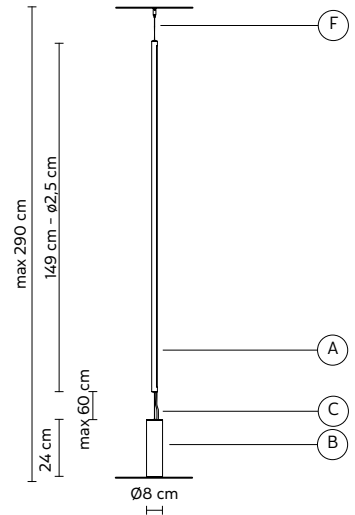
CUPIDO floor lamp - cielo/terra**HP194 B3 INT** INDOOR€ 870,00 vat not incl

Matteo Ugolini design

2020

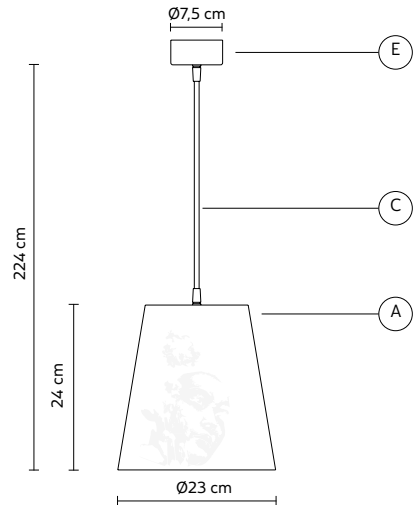
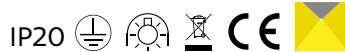
A - LAMP *corpo lampada* matt black aluminum - *alluminio nero opaca***SHADE** *diffusore* polycarbonate opal - *policarbonato opale***B - BASE** *basamento* matt black metal - *metallo nero opaco***C - ELECTRICAL CABLE** *cavo elettrico* black 4 meters - *4 metri nero***F - SUSPENSION CABLE** *fune di sospensione* steel 1,5 meters - *acciaio 1,5 metri***ELECTRICAL SYSTEM** *dispositivo elettrico* LED 24V*, 28W, 3100lm CRI≥90**OPTIONAL** *accessorio* power supply equipped - *alimentatore incluso***PACKAGING** *imballo* 10x10x210 cm**NET WEIGHT** *peso netto* 3,4 KG **GROSS WEIGHT** *peso lordo* 4,8 KG

*(dimmerazione/bianco dinamico tramite APP)
 *(dimmable/tunable white 2700K-5000K by APP)
 "Karman bluetooth controller" (play store/app store apple)

**CUPIDO** pendant - sospensione**SE194 CD INT** INDOOR€ 285,00 vat not incl

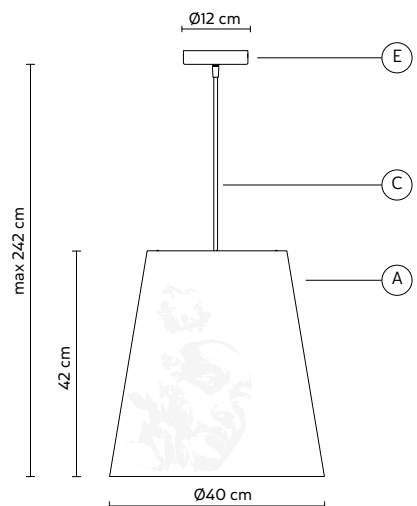
Matteo Ugolini design

2019

A - LAMPSHADE *paralume* charcoal grey cotton* - *cotone grigio antracite****E - CEILING CUP** *rosone* matt black metal - *metallo nero opaco***C - ELECTRICAL CABLE** *cavo elettrico* black 2 meters - *2 metri nero***OPTIONAL** *accessorio* bulb not provided - *lampadina non inclusa***ELECTRICAL SYSTEM** *dispositivo elettrico* E27, 1x max 57W**PACKAGING** *imballo* 31x31x30 cm**NET WEIGHT** *peso netto* 0,6 KG **GROSS WEIGHT** *peso lordo* 1,5 KG*inner print - *stampa interna***CUPIDO** pendant - sospensione**SE194 DD INT** INDOOR€ 430,00 vat not incl

Matteo Ugolini design

2019

A - LAMPSHADE *paralume* charcoal grey cotton* - *cotone grigio antracite****E - CEILING CUP** *rosone* matt black metal - *metallo nero opaco***C - ELECTRICAL CABLE** *cavo elettrico* black 2 meters - *2 metri nero***OPTIONAL** *accessorio* bulb not provided - *lampadina non inclusa***ELECTRICAL SYSTEM** *dispositivo elettrico* E27, 1x max 105W**PACKAGING** *imballo* 62x62x50 cm**NET WEIGHT** *peso netto* 1,1 KG **GROSS WEIGHT** *peso lordo* 3,6 KG*inner print - *stampa interna*




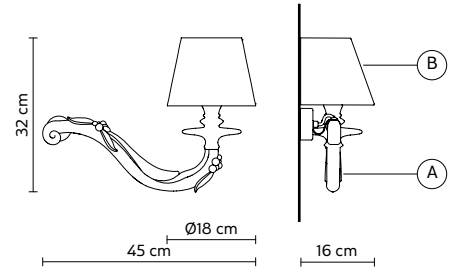

DÉJÀ-VU wall lamp - applique**AP627-45B** INDOOR
AP117 3B INT INDOOR

€ 475,00 vat not incl

Matteo Ugolini design

2011/2018

A - LAMP <i>corpo lampada</i>	glossy white ceramic - <i>ceramica bianca lucida</i> AP627-45B matt white ceramic - <i>ceramica bianca opaca</i> AP117 3B INT
B - LAMPSHADE <i>paralume</i>	white linen - <i>lino bianco</i>
ELECTRICAL SYSTEM <i>dispositivo elettrico</i>	E27, lx max 52W
OPTIONAL <i>accessorio</i>	bulb not provided - <i>lampadina non inclusa</i>
PACKAGING <i>imballo</i>	A (44x54x16) + B (21x21x20) cm
NET WEIGHT <i>peso netto</i> 1,2 KG	GROSS WEIGHT <i>peso lordo</i> 1,6 KG


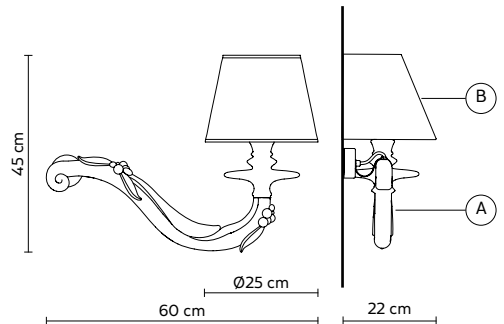
IP20     **DÉJÀ-VU** wall lamp - applique**AP627-60B** INDOOR
AP117 4B INT INDOOR

€ 585,00 vat not incl

Matteo Ugolini design

2011/2018

A - LAMP <i>corpo lampada</i>	glossy white ceramic - <i>ceramica bianca lucida</i> AP627-60B matt white ceramic - <i>ceramica bianca opaca</i> AP117 4B INT
B - LAMPSHADE <i>paralume</i>	white linen - <i>lino bianco</i>
ELECTRICAL SYSTEM <i>dispositivo elettrico</i>	E27, lx max 52W
OPTIONAL <i>accessorio</i>	bulb not provided - <i>lampadina non inclusa</i>
PACKAGING <i>imballo</i>	A (46x60x24) + B (25x15x19) cm
NET WEIGHT <i>peso netto</i> 2 KG	GROSS WEIGHT <i>peso lordo</i> 2,6 KG

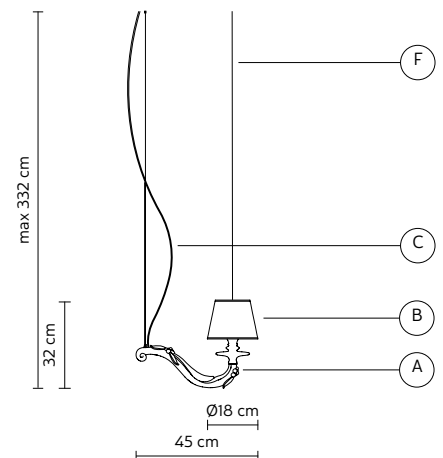
IP20     **DÉJÀ-VU** pendant - sospensione**SE627-45B** INDOOR
SE117 3B INT INDOOR

€ 490,00 vat not incl

Matteo Ugolini design

2011/2018

A - LAMP <i>corpo lampada</i>	glossy white ceramic - <i>ceramica bianca lucida</i> SE627-45B matt white ceramic - <i>ceramica bianca opaca</i> SE117 3B INT
B - LAMPSHADE <i>paralume</i>	white linen - <i>lino bianco</i>
F - SUSPENSION CABLE <i>fune di sospensione</i>	steel 3 meters - <i>acciaio 3 metri</i>
C - ELECTRICAL CABLE <i>cavo elettrico</i>	transparent 3 meters - <i>3 metri trasparente</i>
ELECTRICAL SYSTEM <i>dispositivo elettrico</i>	E27, lx max 105W
OPTIONAL <i>accessorio</i>	bulb not provided - <i>lampadina non inclusa</i> single pendant ceiling cup - <i>rosone comp. singola</i> SR014 3B INT pag.138 multiple comp. ceiling cup - <i>rosone comp. multipla</i> SR034 1B INT pag.138
PACKAGING <i>imballo</i>	A (44x54x16) + B (21x21x20) cm
NET WEIGHT <i>peso netto</i> 1,3 KG	GROSS WEIGHT <i>peso lordo</i> 2,4 KG

IP20     

DÉJÀ-VU pendant - sospensione

Matteo Ugolini design

SE627-60B INDOOR SE117 4B INT INDOOR

2011/2018

€ 580,00 vat not incl

A - LAMP *corpo lampada* glossy white ceramic - *ceramica bianca lucida* **SE627-60B**
matt white ceramic - *ceramica bianca opaca* **SE117 4B INT**

B - LAMPSHADE *paralume* white linen - *lino bianco*

F - SUSPENSION CABLE *fune di sospensione* steel 3 meters - *acciaio 3 metri*

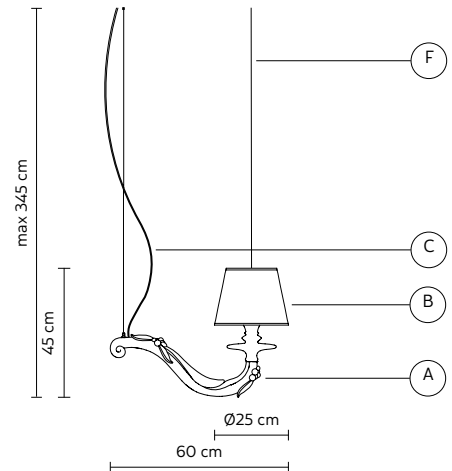
C - ELECTRICAL CABLE *cavo elettrico* transparent 3 meters - *3 metri trasparente*

ELECTRICAL SYSTEM *dispositivo elettrico* E27, 1x max 105W

OPTIONAL *accessorio* bulb not provided - *lampadina non inclusa*
single pendant ceiling cup - *rosone comp. singola* **SR014 3B INT** pag.138
multiple comp. ceiling cup - *rosone comp. multipla* **SR034 1B INT** pag.138

PACKAGING *imballo* A (46x60x24) + B (25x15x19) cm

NET WEIGHT *peso netto* 1,9 KG **GROSS WEIGHT** *peso lordo* 4,1 KG



DÉJÀ-VU NU pendant - sospensione

Matteo Ugolini design

SE117 1B INT INDOOR

2015

€ 405,00 vat not incl

A - LAMP *corpo lampada* matt white ceramic - *ceramica bianca opaca*

F - SUSPENSION CABLE *fune di sospensione* steel 3 meters - *acciaio 3 metri*

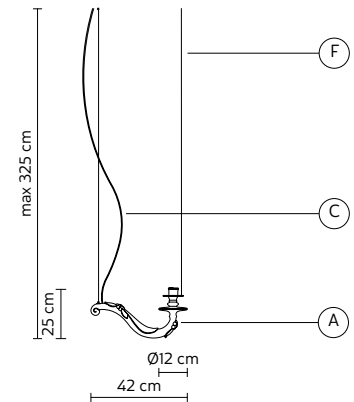
C - ELECTRICAL CABLE *cavo elettrico* transparent 3 meters - *3 metri trasparente*

ELECTRICAL SYSTEM *dispositivo elettrico* E14, 1x max 42W

OPTIONAL *accessorio* bulb not provided - *lampadina non inclusa* **700C** pag.137
single pendant ceiling cup - *rosone comp. singola* **SR014 3B INT** pag.138
multiple comp. ceiling cup - *rosone comp. multipla* **SR034 1B INT** pag.138

PACKAGING *imballo* 44x54x16 cm

NET WEIGHT *peso netto* 1,1 KG **GROSS WEIGHT** *peso lordo* 2,3 KG



DÉJÀ-VU NU pendant - sospensione

Matteo Ugolini design

SE117 2B INT INDOOR

2015

€ 465,00 vat not incl

A - LAMP *corpo lampada* matt white ceramic - *ceramica bianca opaca*

F - SUSPENSION CABLE *fune di sospensione* steel 3 meters - *acciaio 3 metri*

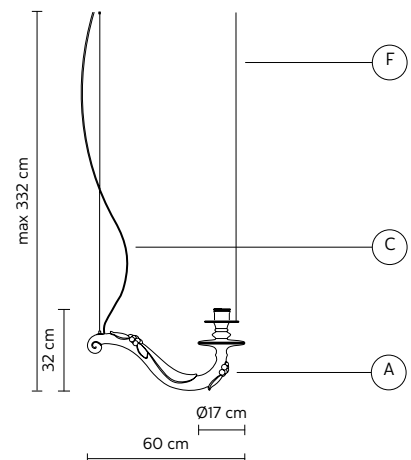
C - ELECTRICAL CABLE *cavo elettrico* transparent 3 meters - *3 metri trasparente*

ELECTRICAL SYSTEM *dispositivo elettrico* E14, 1x max 42W

OPTIONAL *accessorio* bulb not provided - *lampadina non inclusa* **700C** pag.137
single pendant ceiling cup - *rosone comp. singola* **SR014 3B INT** pag.138
multiple comp. ceiling cup - *rosone comp. multipla* **SR034 1B INT** pag.138

PACKAGING *imballo* 46x60x24 cm

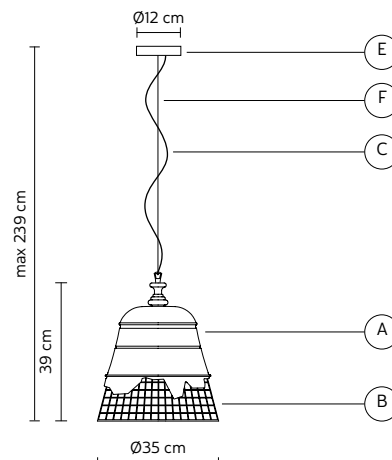
NET WEIGHT *peso netto* 1,5 KG **GROSS WEIGHT** *peso lordo* 3,1 KG



DOMENICA pendant - sospensione**SE102 1B INT** INDOOR€ **685,00** vat not incl**SE102 10 INT** INDOOR

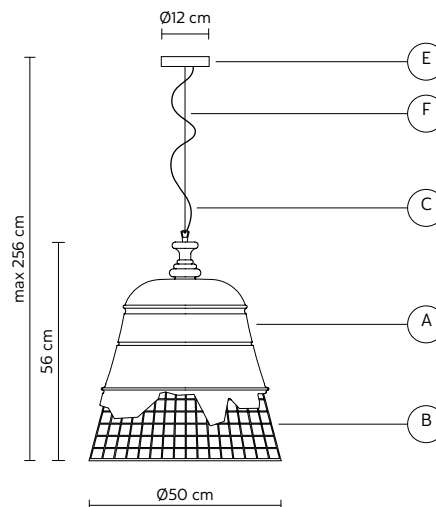
Luca De Bona & Dario De Meo design

2015

A - LAMP *corpo lampada* white plaster - gesso bianco**B - LAMPSHADE** *paralume* white wire mesh - rete metallo bianca **SE102 1B INT**
gold wire mesh - rete metallo oro **SE102 10 INT****E - CEILING CUP** *rosone* glossy white metal - metallo bianco lucido**F - SUSPENSION CABLE** *fune di sospensione* steel 2 meters - acciaio 2 metri**C - ELECTRICAL CABLE** *cavo elettrico* white fabric cable 2 meters - 2 metri telato bianco**ELECTRICAL SYSTEM** *dispositivo elettrico* E27, 1x max 70W**OPTIONAL** *accessorio* bulb not provided - lampadina non inclusa**PACKAGING** *imballo* 50x50x50 cm**NET WEIGHT** *peso netto* 4,3 KG **GROSS WEIGHT** *peso lordo* 5,8 KG**DOMENICA** pendant - sospensione**SE102 2B INT** INDOOR€ **825,00** vat not incl**SE102 20 INT** INDOOR

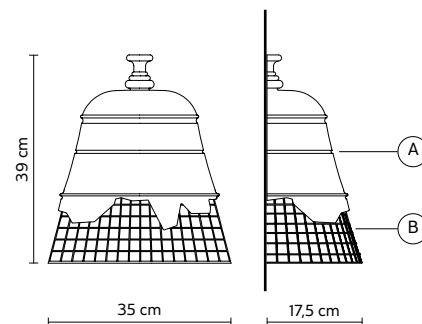
Luca De Bona & Dario De Meo design

2015

A - LAMP *corpo lampada* white plaster - gesso bianco**B - LAMPSHADE** *paralume* white wire mesh - rete metallo bianca **SE102 2B INT**
gold wire mesh - rete metallo oro **SE102 20 INT****E - CEILING CUP** *rosone* glossy white metal - metallo bianco lucido**F - SUSPENSION CABLE** *fune di sospensione* steel 2 meters - acciaio 2 metri**C - ELECTRICAL CABLE** *cavo elettrico* white fabric cable 2 meters - 2 metri telato bianco**ELECTRICAL SYSTEM** *dispositivo elettrico* E27, 1x max 70W**OPTIONAL** *accessorio* bulb not provided - lampadina non inclusa**PACKAGING** *imballo* 60x60x70 cm**NET WEIGHT** *peso netto* 11,3 KG **GROSS WEIGHT** *peso lordo* 17 KG**DOMENICA** wall lamp - applique**AP102 1B INT** INDOOR€ **475,00** vat not incl**AP102 10 INT** INDOOR

Luca De Bona & Dario De Meo design

2015

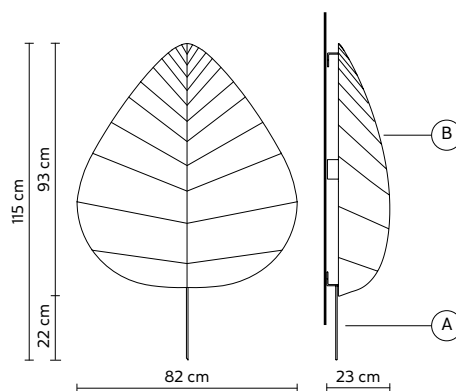
A - LAMP *corpo lampada* white plaster - gesso bianco**B - LAMPSHADE** *paralume* white wire mesh - rete metallo bianca **AP102 1B INT**
gold wire mesh - rete metallo oro **AP102 10 INT****ELECTRICAL SYSTEM** *dispositivo elettrico* E27, 1x max 52W**OPTIONAL** *accessorio* bulb not provided - lampadina non inclusa**PACKAGING** *imballo* 42x42x33 cm**NET WEIGHT** *peso netto* 3,2 KG **GROSS WEIGHT** *peso lordo* 4,1 KG

EDEN "EDEN" wall lamp - applique

Matteo Ugolini design

AP103 1B INT INDOOR

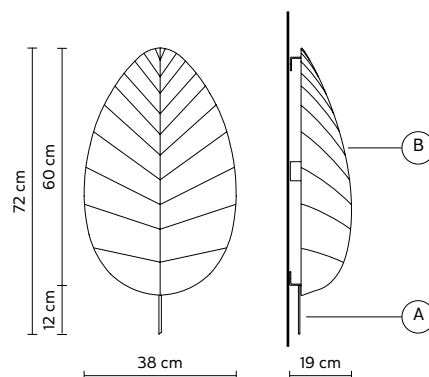
2015

€ 815,00 vat not incl**A - STRUCTURE** *struttura* white metal - metallo bianco**B - LAMPSHADE** *paralume* white lycra - lycra bianca**ELECTRICAL SYSTEM** *dispositivo elettrico* E27, 3x max 46W**OPTIONAL** *accessorio* bulb not provided - lampadina non inclusa**PACKAGING** *imballo* 70x80x70 cm**NET WEIGHT** *peso netto* 2,1 KG **GROSS WEIGHT** *peso lordo* 5,4 KG**EDEN "ADAMO"** wall lamp - applique

Matteo Ugolini design

AP103 2B INT INDOOR

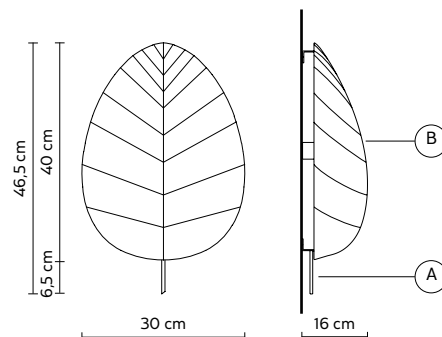
2015

€ 570,00 vat not incl**A - STRUCTURE** *struttura* white metal - metallo bianco**B - LAMPSHADE** *paralume* white lycra - lycra bianca**ELECTRICAL SYSTEM** *dispositivo elettrico* E27, 2x max 46W**OPTIONAL** *accessorio* bulb not provided - lampadina non inclusa**PACKAGING** *imballo* 35x35x64 cm**NET WEIGHT** *peso netto* 1,5 KG **GROSS WEIGHT** *peso lordo* 2,4 KG**EDEN "EVA"** wall lamp - applique

Matteo Ugolini design

AP103 3B INT INDOOR

2015

€ 465,00 vat not incl**A - STRUCTURE** *struttura* white metal - metallo bianco**B - LAMPSHADE** *paralume* white lycra - lycra bianca**ELECTRICAL SYSTEM** *dispositivo elettrico* E27, 1x max 46W**OPTIONAL** *accessorio* bulb not provided - lampadina non inclusa**PACKAGING** *imballo* 38x38x26 cm**NET WEIGHT** *peso netto* 1,1 KG **GROSS WEIGHT** *peso lordo* 1,6 KG

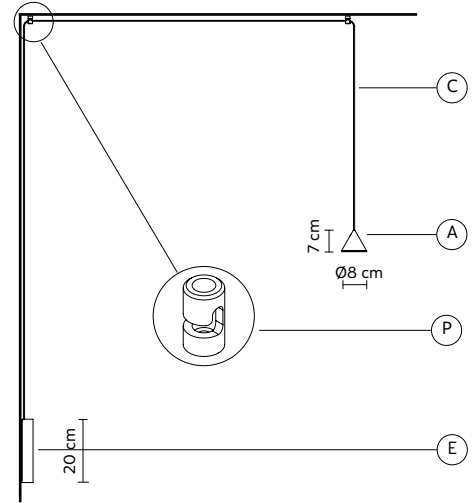
FILOMENA wall lamp - applique**AP270 2N INT** INDOOR - 3000K€ 645,00 vat not incl**AP270 1N INT** INDOOR - 2700K

Matteo Ugolini design

2021

A - LAMP *corpo lampada* matt black aluminum - *alluminio nero opaco***E - CEILING CUP** *rosone* matt black metal - *metallo nero opaco***C - ELECTRICAL CABLE** *cavo elettrico* black 8 meters - *8 metri nero***ELECTRICAL SYSTEM** *dispositivo elettrico* LED 24V*, 8,4W, 907 lm CRI≥90**P - CLAMP** *passacavo* 2 pcs included - *2 pz inclusi***OPTIONAL** *accessorio* 30W power supply equipped - *alimentatore incluso*
additional clamp - *passacavo aggiuntivo* **AC270 1N INT 22€/pz****PACKAGING** *imballo* 31x31x23 cm**NET WEIGHT** *peso netto* 0,9 KG **GROSS WEIGHT** *peso lordo* 1,8 KG

*(cut phase dimmable - dimmerabile taglio di fase)

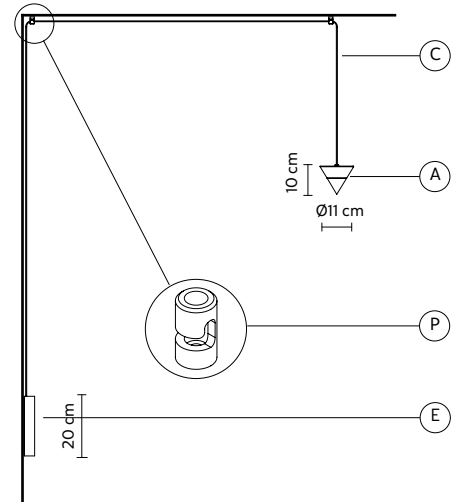
**FILOMENA** wall lamp - applique**AP270 4N INT** INDOOR - 3000K€ 825,00 vat not incl**AP270 3N INT** INDOOR - 2700K

Matteo Ugolini design

2021

A - LAMP *corpo lampada* matt black aluminum - *alluminio nero opaco***E - CEILING CUP** *rosone* matt black metal - *metallo nero opaco***C - ELECTRICAL CABLE** *cavo elettrico* black 8 meters - *8 metri nero***ELECTRICAL SYSTEM** *dispositivo elettrico* LED 24V*, 16,8W, 1821 lm CRI≥90**P - CLAMP** *passacavo* 2 pcs included - *2 pz inclusi***OPTIONAL** *accessorio* 30W power supply equipped - *alimentatore incluso*
additional clamp - *passacavo aggiuntivo* **AC270 1N INT 22€/pz****PACKAGING** *imballo* 31x31x23 cm**NET WEIGHT** *peso netto* 1,4 KG **GROSS WEIGHT** *peso lordo* 2,5 KG

*(cut phase dimmable - dimmerabile taglio di fase)

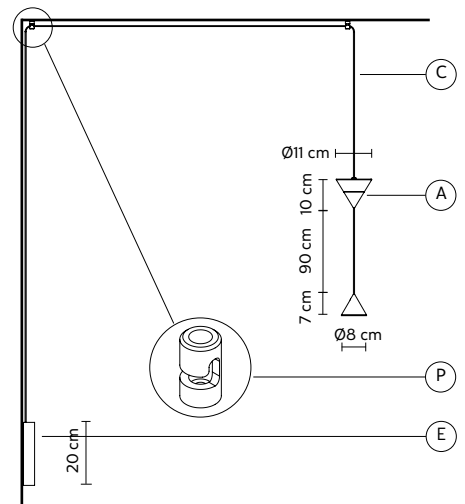
**FILOMENA** wall lamp - applique**AP270 6N INT** INDOOR - 3000K€ 1.085,00 vat not incl**AP270 5N INT** INDOOR - 2700K

Matteo Ugolini design

2021

A - LAMP *corpo lampada* matt black aluminum - *alluminio nero opaco***E - CEILING CUP** *rosone* matt black metal - *metallo nero opaco***C - ELECTRICAL CABLE** *cavo elettrico* black 8 meters - *8 metri nero***ELECTRICAL SYSTEM** *dispositivo elettrico* top: LED 24V*, 16,8W, 1821 lm CRI≥90
bottom: LED 24V*, 8,4W, 907 lm CRI≥90**P - CLAMP** *passacavo* 2 pcs included - *2 pz inclusi***OPTIONAL** *accessorio* 30W power supply equipped - *alimentatore incluso*
additional clamp - *passacavo aggiuntivo* **AC270 1N INT 22€/pz****PACKAGING** *imballo* 31x31x23 cm**NET WEIGHT** *peso netto* 1,6 KG **GROSS WEIGHT** *peso lordo* 3,2 KG

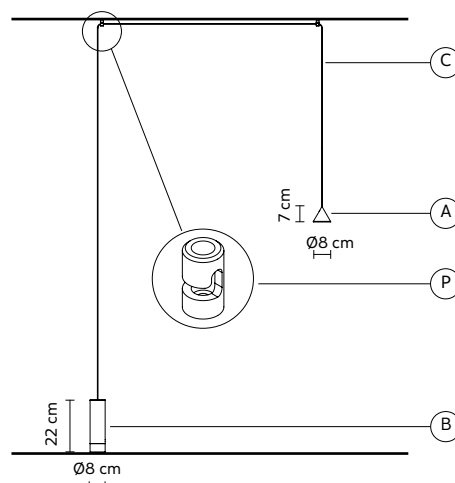
*(cut phase dimmable - dimmerabile taglio di fase)



FILOMENA hanging floor lamp - cielo/terra**HP270 2N INT** INDOOR - 3000K€ 740,00 vat not incl**HP270 1N INT** INDOOR - 2700K

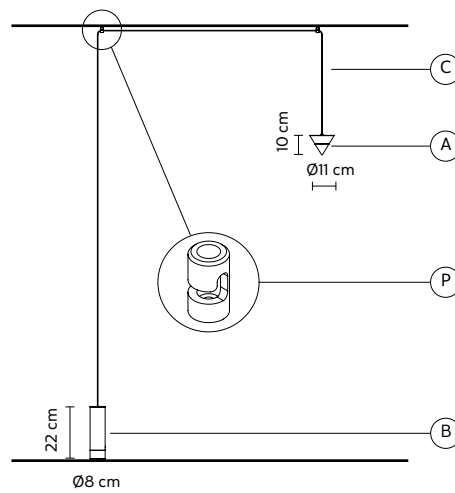
Matteo Ugolini design

2021

A - LAMP *corpo lampada* matt black aluminum - *alluminio nero opaco***B - BASE** *basamento* matt black metal - *metallo nero opaco***C - ELECTRICAL CABLE** *cavo elettrico* black 8 meters - *8 metri nero***ELECTRICAL SYSTEM** *dispositivo elettrico* LED 24V*, 8,4W, 907 lm CRI≥90**P - CLAMP** *passacavo* 2 pcs included - *2 pz inclusi***OPTIONAL** *accessorio* 30W power supply equipped - *alimentatore incluso*
additional clamp - *passacavo aggiuntivo AC270 1N INT 22€/pz***PACKAGING** *imballo* 31x31x23 cm**NET WEIGHT** *peso netto* 1,8 KG**GROSS WEIGHT** *peso lordo* 2,8 KG*(foot dimmable switch - *pedaliera dimmerabile*)**FILOMENA** hanging floor lamp - cielo/terra**HP270 4N INT** INDOOR - 3000K€ 920,00 vat not incl**HP270 3N INT** INDOOR - 2700K

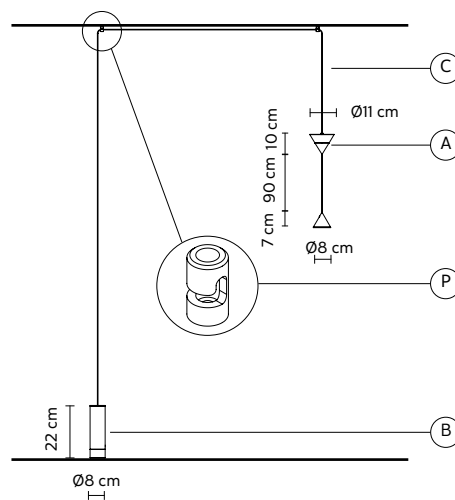
Matteo Ugolini design

2021

A - LAMP *corpo lampada* matt black aluminum - *alluminio nero opaco***B - BASE** *basamento* matt black metal - *metallo nero opaco***C - ELECTRICAL CABLE** *cavo elettrico* black 8 meters - *8 metri nero***ELECTRICAL SYSTEM** *dispositivo elettrico* LED 24V*, 16,8W, 1821 lm CRI≥90**P - CLAMP** *passacavo* 2 pcs included - *2 pz inclusi***OPTIONAL** *accessorio* 30W power supply equipped - *alimentatore incluso*
additional clamp - *passacavo aggiuntivo AC270 1N INT 22€/pz***PACKAGING** *imballo* 31x31x23 cm**NET WEIGHT** *peso netto* 2,2 KG**GROSS WEIGHT** *peso lordo* 3,7 KG*(foot dimmable switch - *pedaliera dimmerabile*)**FILOMENA** hanging floor lamp - cielo/terra**HP270 6N INT** INDOOR - 3000K€ 1.180,00 vat not incl**HP270 5N INT** INDOOR - 2700K

Matteo Ugolini design

2021

A - LAMP *corpo lampada* matt black aluminum - *alluminio nero opaco***B - BASE** *basamento* matt black metal - *metallo nero opaco***C - ELECTRICAL CABLE** *cavo elettrico* black 8 meters - *8 metri nero***ELECTRICAL SYSTEM** *dispositivo elettrico* top: LED 24V*, 16,8W, 1821 lm CRI≥90
bottom: LED 24V*, 8,4W, 907 lm CRI≥90**P - CLAMP** *passacavo* 2 pcs included - *2 pz inclusi***OPTIONAL** *accessorio* 30W power supply equipped - *alimentatore incluso*
additional clamp - *passacavo aggiuntivo AC270 1N INT 22€/pz***PACKAGING** *imballo* 31x31x23 cm**NET WEIGHT** *peso netto* 2,4 KG**GROSS WEIGHT** *peso lordo* 4,4 KG*(foot dimmable switch - *pedaliera dimmerabile*)

FILOMENA pendant - sospensione**SE270 2N INT** INDOOR - 3000K€ 460,00 vat not incl**SE270 1N INT** INDOOR - 2700K

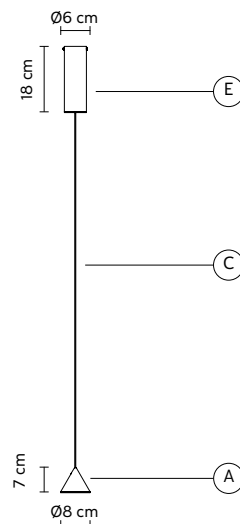
Matteo Ugolini design

2021

A - LAMP *corpo lampada* matt black aluminum - *alluminio nero opaca***E - CEILING CUP** *rosone* matt black metal - *metallo nero opaco***C - ELECTRICAL CABLE** *cavo elettrico* black 2 meters - *2 metri nero***ELECTRICAL SYSTEM** *dispositivo elettrico* LED 24V*, 8,4W, 907 lm CRI≥90**OPTIONAL** *accessorio* 30W power supply equipped - *alimentatore incluso***PACKAGING** *imballo* 31x31x23 cm**NET WEIGHT** *peso netto* 0,9 KG **GROSS WEIGHT** *peso lordo* 1,8 KG

*(cut phase dimmable - dimmerabile taglio di fase)

IP20

**FILOMENA** pendant - sospensione**SE270 4N INT** INDOOR - 3000K€ 640,00 vat not incl**SE270 3N INT** INDOOR - 2700K

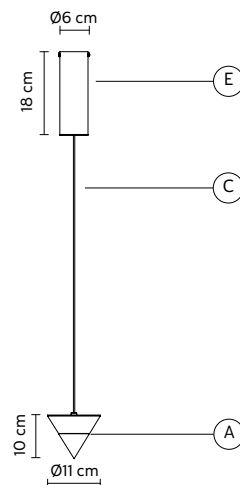
Matteo Ugolini design

2021

A - LAMP *corpo lampada* matt black aluminum - *alluminio nero opaca***E - CEILING CUP** *rosone* matt black metal - *metallo nero opaco***C - ELECTRICAL CABLE** *cavo elettrico* black 2 meters - *2 metri nero***ELECTRICAL SYSTEM** *dispositivo elettrico* LED 24V*, 16,8W, 1821 lm CRI≥90**OPTIONAL** *accessorio* 30W power supply equipped - *alimentatore incluso***PACKAGING** *imballo* 31x31x23 cm**NET WEIGHT** *peso netto* 1,4 KG **GROSS WEIGHT** *peso lordo* 2,5 KG

*(cut phase dimmable - dimmerabile taglio di fase)

IP20

**FILOMENA** pendant - sospensione**SE270 6N INT** INDOOR - 3000K€ 900,00 vat not incl**SE270 5N INT** INDOOR - 2700K

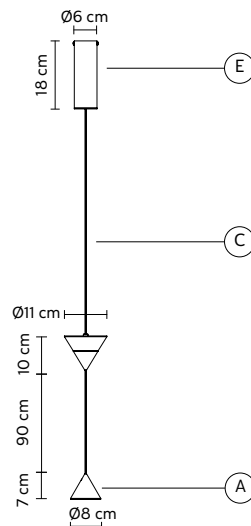
Matteo Ugolini design

2021

A - LAMP *corpo lampada* matt black aluminum - *alluminio nero opaca***E - CEILING CUP** *rosone* matt black metal - *metallo nero opaco***C - ELECTRICAL CABLE** *cavo elettrico* black 2 meters - *2 metri nero***ELECTRICAL SYSTEM** *dispositivo elettrico* top: LED 24V*, 16,8W, 1821 lm CRI≥90
bottom: LED 24V*, 8,4W, 907 lm CRI≥90**OPTIONAL** *accessorio* 30W power supply equipped - *alimentatore incluso***PACKAGING** *imballo* 31x31x23 cm**NET WEIGHT** *peso netto* 1,6 KG **GROSS WEIGHT** *peso lordo* 3,2 KG

*(cut phase dimmable - dimmerabile taglio di fase)

IP20



FILOMENA wall lamp - applique**AP270 BN INT** INDOOR - 3000K€ 2.143,00 vat not incl**AP270 AN INT** INDOOR - 2700K

Matteo Ugolini design

2021

- LAMP lampada AP270 BN INT

- A: 2x Filomena **80HP270 2N** pag.56
 C: 1x Filomena **80HP270 6N** pag.56
 E: 1x ceiling cup **SR270 DN INT** pag.138

- LAMP lampada AP270 AN INT

- A: 2x Filomena **80HP270 1N** pag.56
 C: 1x Filomena **80HP270 5N** pag.56
 E: 1x ceiling cup **SR270 DN INT** pag.139

C - ELECTRICAL CABLE cavo elettrico

3x (black 8 meters - 8 metri nero)

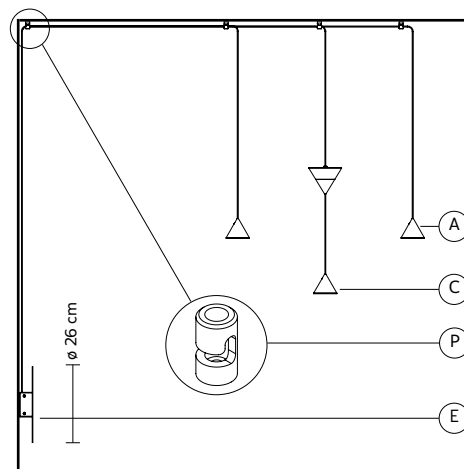
P - CLAMP passacavo

3x (2 pcs included - 2 pz inclusi)

OPTIONAL accessorio

60W* power supply equipped - *alimentatore incluso* **AC270 AL INT**
 additional clamp - *passacavo aggiuntivo* **AC270 1N INT 22€/pz**

*(0-10V dimmable - PWM - resistance)

**FILOMENA** cluster**SE270 BN INT** INDOOR - 3000K€ 2.872,00 vat not incl**SE270 AN INT** INDOOR - 2700K

Matteo Ugolini design

2021

- LAMP lampada SE270 BN INT

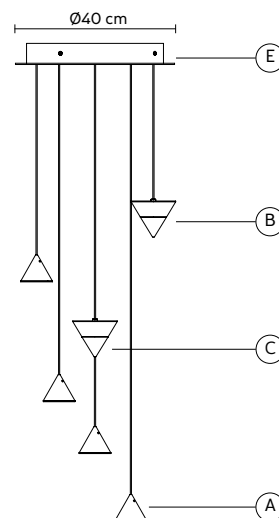
- A: 3x Filomena **80SE270 2N** pag.56
 B: 1x Filomena **80SE270 4N** pag.56
 C: 1x Filomena **80SE270 6N** pag.56
 E: 1x ceiling cup **SR270 AN INT** pag.138

- LAMP lampada SE270 AN INT

- A: 3x Filomena **80SE270 1N** pag.56
 B: 1x Filomena **80SE270 3N** pag.56
 C: 1x Filomena **80SE270 5N** pag.56
 E: 1x ceiling cup **SR270 AN INT** pag.138

OPTIONAL accessorio**2x60W*** power supply equipped - *alimentatore incluso* **AC270 AL INT**

*(0-10V dimmable - PWM - resistance)

**FILOMENA** cluster**SE270 DN INT** INDOOR - 3000K€ 4.047,00 vat not incl**SE270 CN INT** INDOOR - 2700K

Matteo Ugolini design

2021

- LAMP lampada SE270 DN INT

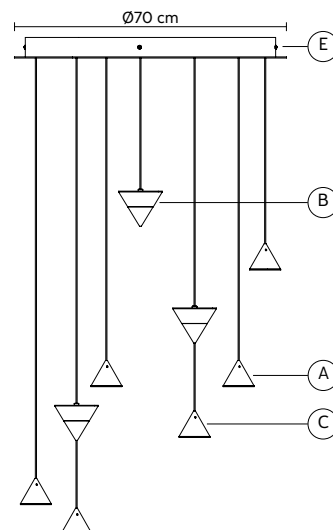
- A: 4x Filomena **80SE270 2N** pag.56
 B: 1x Filomena **80SE270 4N** pag.56
 C: 2x Filomena **80SE270 6N** pag.56
 E: 1x ceiling cup **SR270 BN INT** pag.138

- LAMP lampada SE270 CN INT

- A: 4x Filomena **80SE270 1N** pag.56
 B: 1x Filomena **80SE270 3N** pag.56
 C: 2x Filomena **80SE270 5N** pag.56
 E: 1x ceiling cup **SR270 BN INT** pag.138

OPTIONAL accessorio**2x60W*** power supply equipped - *alimentatore incluso* **AC270 AL INT**

*(0-10V dimmable - PWM - resistance)



element A



matt black aluminum - *alluminio nero opaca*

LED 24V*, 8,4W, 907 lm CRI≥90

PACKAGING *imballo* 21x21x20 cm

NET WEIGHT *peso netto* 0,4 KG

GROSS WEIGHT *peso lordo* 0,8 KG



element B



matt black aluminum - *alluminio nero opaca*

LED 24V*, 16,8W, 1821 lm CRI≥90

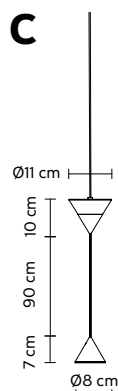
PACKAGING *imballo* 21x21x20 cm

NET WEIGHT *peso netto* 0,6 KG

GROSS WEIGHT *peso lordo* 1,2 KG



element C



matt black aluminum - *alluminio nero opaca*

LED top 24V*, 16,8W, 1821 lm CRI≥90

LED bottom 24V*, 8,4W, 907 lm CRI≥90

PACKAGING *imballo* 31x31x23 cm

NET WEIGHT *peso netto* 1,1 KG

GROSS WEIGHT *peso lordo* 2,2 KG



BEWARE Extra low voltage lamp, power supply necessary

ATTENZIONE: Lampada bassissima tensione, necessario alimentatore

A - element

- electrical cable black 2 meters - *cavo elettrico 2 metri nero*
- electrical cable black 2 meters - *cavo elettrico 2 metri nero*
- electrical cable black 8 meters - *cavo elettrico 8 metri nero*
- electrical cable black 8 meters - *cavo elettrico 8 metri nero*

80SE270 2N INDOOR - 3000K	€ 345,00	vat not incl
80SE270 1N INDOOR - 2700K	€ 345,00	vat not incl
80HP270 2N INDOOR - 3000K	€ 440,00	vat not incl
80HP270 1N INDOOR - 2700K	€ 440,00	vat not incl

B - element

- electrical cable black 2 meters - *cavo elettrico 2 metri nero*
- electrical cable black 2 meters - *cavo elettrico 2 metri nero*
- electrical cable black 8 meters - *cavo elettrico 8 metri nero*
- electrical cable black 8 meters - *cavo elettrico 8 metri nero*

80SE270 4N INDOOR - 3000K	€ 525,00	vat not incl
80SE270 3N INDOOR - 2700K	€ 525,00	vat not incl
80HP270 4N INDOOR - 3000K	€ 620,00	vat not incl
80HP270 3N INDOOR - 2700K	€ 620,00	vat not incl

C - element

- electrical cable black 2 meters - *cavo elettrico 2 metri nero*
- electrical cable black 2 meters - *cavo elettrico 2 metri nero*
- electrical cable black 8 meters - *cavo elettrico 8 metri nero*
- electrical cable black 8 meters - *cavo elettrico 8 metri nero*

80SE270 6N INDOOR - 3000K	€ 785,00	vat not incl
80SE270 5N INDOOR - 2700K	€ 785,00	vat not incl
80HP270 6N INDOOR - 3000K	€ 880,00	vat not incl
80HP270 5N INDOOR - 2700K	€ 880,00	vat not incl

E - ceiling cup

ceiling cup - <i>rosone</i> ø40	SR270 AN INT pag.138	€ 345,00	vat not incl
ceiling cup - <i>rosone</i> ø70	SR270 BN INT pag.138	€ 390,00	vat not incl
ceiling cup - <i>rosone</i> ø40	SR270 CN INT pag.138	€ 345,00	vat not incl
ceiling cup - <i>rosone</i> ø26	SR270 DN INT pag.139	€ 160,00	vat not incl

Optional composition

60W dimmable power supply - <i>alimentatore dimmerabile</i>	AC270 AL INT	€ 91,00	vat not incl
aluminum clamp - <i>passacavo di alluminio</i>	AC270 1N INT	€ 22,00	vat not incl

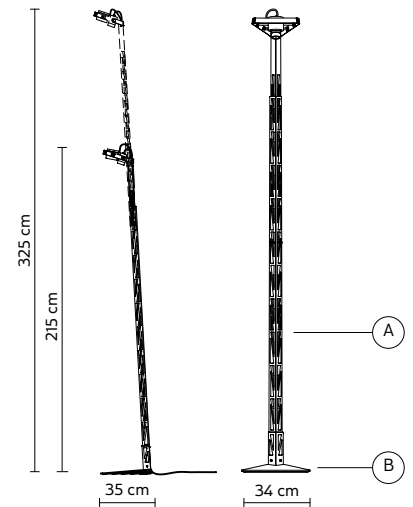
FIREMAN floor lamp - piantana**HP268 1N INT** INDOOR - 3000K
HP268 2N INT INDOOR - 2700K€ 1.960,00 vat not incl

Marc Sadler design

2021

A - LAMP <i>corpo lampada</i>	matt black aluminum - <i>alluminio nero opaco</i>
DIFFUSER <i>diffusore</i>	polycarbonate opal - <i>policarbonato opale</i>
B - BASE <i>basamento</i>	matt black metal - <i>metallo nero opaco</i>
ELECTRICAL CABLE <i>cavo elettrico</i>	black 4 meters - <i>4 metri nero</i>
ELECTRICAL SYSTEM <i>dispositivo elettrico</i>	LED 24V*, 25,2W, 2728 lm CRI≥90
OPTIONAL <i>accessorio</i>	power supply equipped - <i>alimentatore incluso</i>
PACKAGING <i>imballo</i>	A (35x35x205) + B (42x42x33) cm
NET WEIGHT <i>peso netto</i> A(3,2)+B(1,2) KG	GROSS WEIGHT <i>peso lordo</i> A(4,6)+B(13,8) KG

*(dimnable by APP - dimmerazione tramite APP)
"Karman bluetooth controller" (play store/app store apple)
(ø8cm 16,8W 1821 lumen, ø5cm 8,4W, 907 lumen)

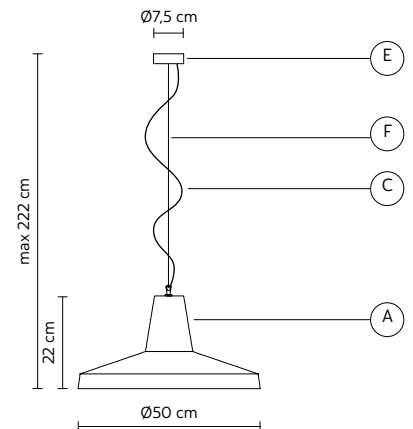
**GANGSTER** pendant - sospensione**SE641BB** INDOOR€ 605,00 vat not incl**SE641BR** INDOOR€ 790,00 vat not incl

Matteo Ugolini design

2013

A - LAMPSHADE <i>corpo lampada</i>	outer glossy white ceramic - <i>ceramica esterna bianco lucido</i> inner glossy white ceramic - <i>ceramica interna bianco lucido</i> SE641BB inner glossy bronze ceramic - <i>ceramica interna bronzo lucido</i> SE641BR
E - CEILING CUP <i>rosone</i>	glossy white metal - <i>metallo bianco lucido</i>
F - SUSPENSION CABLE <i>fune di sospensione</i>	steel 2 meters - <i>acciaio 2 metri</i>
C - ELECTRICAL CABLE <i>cavo elettrico</i>	transparent 2 meters - <i>2 metri trasparente</i>
OPTIONAL <i>accessorio</i>	bulb not provided - <i>lampadina non inclusa</i>
ELECTRICAL SYSTEM <i>dispositivo elettrico</i>	E27, 1x max 105W
PACKAGING <i>imballo</i>	38x62x62 cm
NET WEIGHT <i>peso netto</i> 4,1 KG	GROSS WEIGHT <i>peso lordo</i> 8,9 KG

IP20

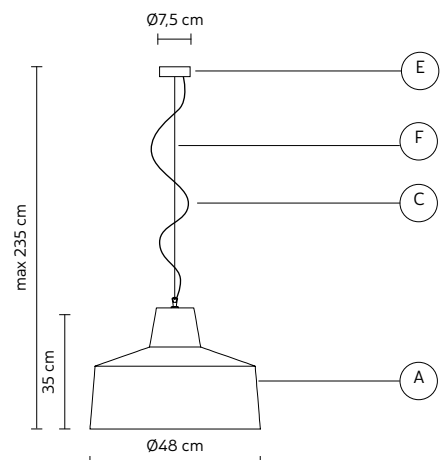
**GANGSTER** pendant - sospensione**SE642BB** INDOOR€ 605,00 vat not incl**SE642BR** INDOOR€ 790,00 vat not incl

Matteo Ugolini design

2013

A - LAMPSHADE <i>corpo lampada</i>	OUTER: glossy white ceramic - <i>ceramica bianco lucido</i> INNER: glossy white ceramic - <i>ceramica bianco lucido</i> SE642BB INNER: glossy bronze ceramic - <i>ceramica bronzo lucido</i> SE642BR
E - CEILING CUP <i>rosone</i>	glossy white metal - <i>metallo bianco lucido</i>
F - SUSPENSION CABLE <i>fune di sospensione</i>	steel 2 meters - <i>acciaio 2 metri</i>
C - ELECTRICAL CABLE <i>cavo elettrico</i>	transparent 2 meters - <i>2 metri trasparente</i>
OPTIONAL <i>accessorio</i>	bulb not provided - <i>lampadina non inclusa</i>
ELECTRICAL SYSTEM <i>dispositivo elettrico</i>	E27, 1x max 105W
PACKAGING <i>imballo</i>	48x62x62 cm
NET WEIGHT <i>peso netto</i> 6,7 KG	GROSS WEIGHT <i>peso lordo</i> 12 KG

IP20

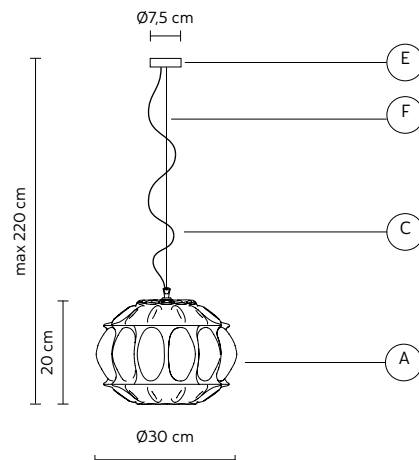


GINGER pendant - sospensione**SE116 1A INT** INDOOR€ 490,00 vat not incl**SE116 1F INT** INDOOR

Edmondo Testaguzza design

2015

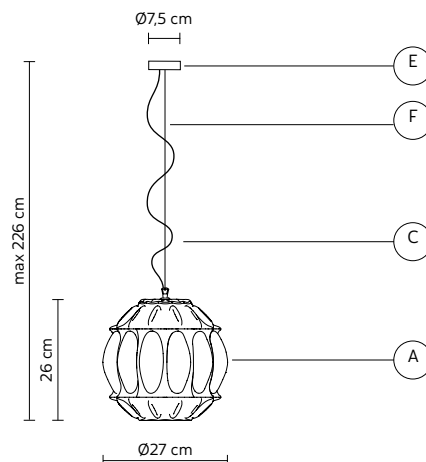
B - LAMPSHADE <i>paralume</i>	pale yellow glass - vetro paglierino SE116 1A INT smoked glass - vetro fumè SE116 1F INT
E - CEILING CUP <i>rosone</i>	transparent lacquered metal - metallo laccato trasparente
F - SUSPENSION CABLE <i>fune di sospensione</i>	steel 2 meters - acciaio 2 metri
C - ELECTRICAL CABLE <i>cavo elettrico</i>	black fabric cable 2 meters - 2 metri telato nero
ELECTRICAL SYSTEM <i>dispositivo elettrico</i>	E27, 1x max 77W
OPTIONAL <i>accessorio</i>	bulb not provided - lampadina non inclusa
PACKAGING <i>imballo</i>	42x42x33 cm
NET WEIGHT <i>peso netto</i> 2,8 KG	GROSS WEIGHT <i>peso lordo</i> 4,1 KG

**GINGER** pendant - sospensione**SE116 2A INT** INDOOR€ 490,00 vat not incl**SE116 2F INT** INDOOR

Edmondo Testaguzza design

2015

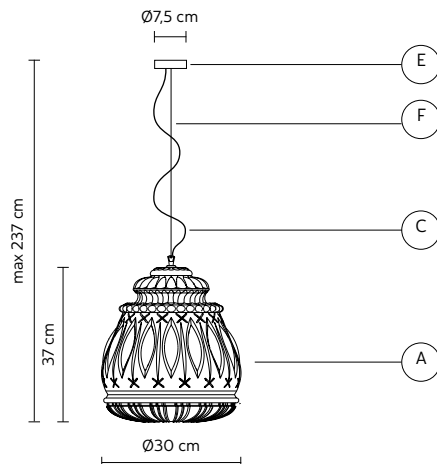
B - LAMPSHADE <i>paralume</i>	pale yellow glass - vetro paglierino SE116 2A INT smoked glass - vetro fumè SE116 2F INT
E - CEILING CUP <i>rosone</i>	transparent lacquered metal - metallo laccato trasparente
F - SUSPENSION CABLE <i>fune di sospensione</i>	steel 2 meters - acciaio 2 metri
C - ELECTRICAL CABLE <i>cavo elettrico</i>	black fabric cable 2 meters - 2 metri telato nero
ELECTRICAL SYSTEM <i>dispositivo elettrico</i>	E27, 1x max 77W
OPTIONAL <i>accessorio</i>	bulb not provided - lampadina non inclusa
PACKAGING <i>imballo</i>	42x42x33 cm
NET WEIGHT <i>peso netto</i> 2,9 KG	GROSS WEIGHT <i>peso lordo</i> 4,2 KG

**GINGER** pendant - sospensione**SE116 3A INT** INDOOR€ 570,00 vat not incl**SE116 3F INT** INDOOR

Edmondo Testaguzza design

2015

B - LAMPSHADE <i>paralume</i>	pale yellow glass - vetro paglierino SE116 3A INT smoked glass - vetro fumè SE116 3F INT
E - CEILING CUP <i>rosone</i>	transparent lacquered metal - metallo laccato trasparente
F - SUSPENSION CABLE <i>fune di sospensione</i>	steel 2 meters - acciaio 2 metri
C - ELECTRICAL CABLE <i>cavo elettrico</i>	black fabric cable 2 meters - 2 metri telato nero
ELECTRICAL SYSTEM <i>dispositivo elettrico</i>	E27, 1x max 77W
OPTIONAL <i>accessorio</i>	bulb not provided - lampadina non inclusa
PACKAGING <i>imballo</i>	50x50x50 cm
NET WEIGHT <i>peso netto</i> 3,6 KG	GROSS WEIGHT <i>peso lordo</i> 5,6 KG



GONZAGA pendant - sospensione **SE185 FD EXT** INDOOR/OUTDOOR - **3000K**
SE185 GD EXT INDOOR/OUTDOOR - **2700K**
SE185 FC EXT INDOOR/OUTDOOR - **3000K**
SE185 GC EXT INDOOR/OUTDOOR - **2700K**

€ 805,00 vat not incl

Matteo Ugolini, Luca De Bona, Dario De Meo design

2019

A - LAMP *corpo lampada* matt white aluminum - *alluminio bianco opaco* **SE185FD/SE185GD**
matt black aluminum - *alluminio nero opaco* **SE185FC/SE185GC**

E - CEILING CUP *rosone* matt black metal - *metallo nero opaco*

F - SUSPENSION CABLE *fune di sospensione* steel 2 meters - *acciaio 2 metri*







C - ELECTRICAL CABLE *cavo elettrico* black 2 meters - *2 metri nero*

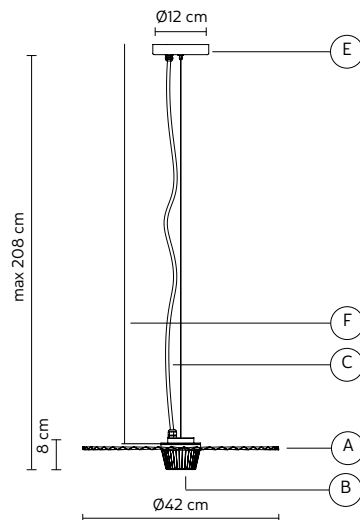
B - DIFFUSOR *diffusore* transparent pleated glass - *vetro plissettato trasparente*

ELECTRICAL SYSTEM *dispositivo elettrico* *LED 220V, 13W, 1200lm, CRI≥80

PACKAGING *imballo* 67x73x19 cm

NET WEIGHT *peso netto* 1,9 KG **GROSS WEIGHT** *peso lordo* 3,6 KG

*(cut phase dimmable - dimmerabile taglio di fase) IP65      



GONZAGA pendant - sospensione **SE185 DC EXT** INDOOR/OUTDOOR - **3000K**
SE185 DD EXT INDOOR/OUTDOOR - **2700K**

€ 925,00 vat not incl

Matteo Ugolini, Luca De Bona, Dario De Meo design

2019

A - LAMP *corpo lampada* brass-colored aluminum - *alluminio color ottone*

E - CEILING CUP *rosone* matt black metal - *metallo nero opaco*

F - SUSPENSION CABLE *fune di sospensione* steel 2 meters - *acciaio 2 metri*







C - ELECTRICAL CABLE *cavo elettrico* black 2 meters - *2 metri nero*

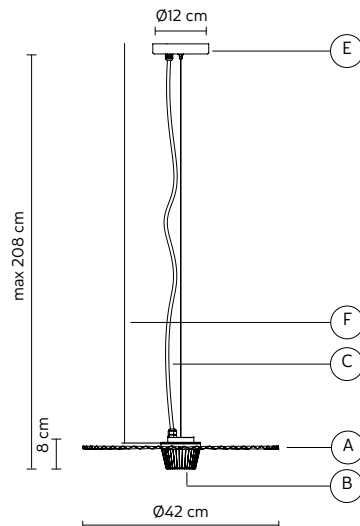
ELECTRICAL SYSTEM *dispositivo elettrico* *LED 220V, 13W, 1200lm, CRI≥80

B - DIFFUSOR *diffusore* transparent pleated glass - *vetro plissettato trasparente*

PACKAGING *imballo* 67x73x19 cm

NET WEIGHT *peso netto* 1,9 KG **GROSS WEIGHT** *peso lordo* 3,6 KG

*(cut phase dimmable - dimmerabile taglio di fase) IP65      



GONZAGA pendant - sospensione **SE185 BD EXT** INDOOR/OUTDOOR - **3000K**
SE185 ED EXT INDOOR/OUTDOOR - **2700K**
SE185 BC EXT INDOOR/OUTDOOR - **3000K**
SE185 EC EXT INDOOR/OUTDOOR - **2700K**

€ 835,00 vat not incl

Matteo Ugolini, Luca De Bona, Dario De Meo design

2019

A - LAMP *corpo lampada* matt white aluminum - *alluminio bianco opaco* **SE185BD/SE185ED**
matt black aluminum - *alluminio nero opaco* **SE185BC/SE185EC**

E - CEILING CUP *rosone* matt black metal - *metallo nero opaco*

F - SUSPENSION CABLE *fune di sospensione* steel 2 meters - *acciaio 2 metri*






C - ELECTRICAL CABLE *cavo elettrico* black 2 meters - *2 metri nero*

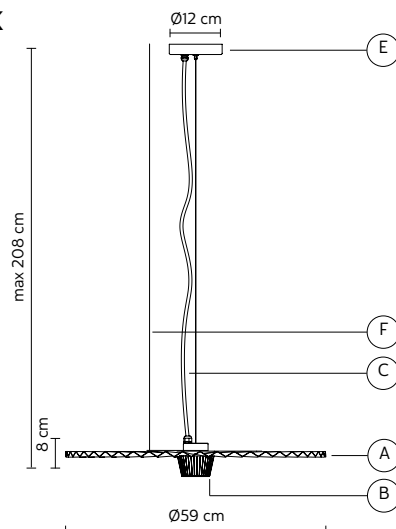
B - DIFFUSOR *diffusore* transparent pleated glass - *vetro plissettato trasparente*

ELECTRICAL SYSTEM *dispositivo elettrico* *LED 220V, 13W, 1200lm, CRI≥80

PACKAGING *imballo* 67x73x19 cm

NET WEIGHT *peso netto* 3,3 KG **GROSS WEIGHT** *peso lordo* 5,1 KG

*(cut phase dimmable - dimmerabile taglio di fase) IP65      



GONZAGA pendant - sospensione **SE185 CC EXT** INDOOR/OUTDOOR - **3000K**
SE185 CD EXT INDOOR/OUTDOOR - **2700K**

Matteo Ugolini, Luca De Bona, Dario De Meo design

2019

€ 1.040,00 vat not incl

A - LAMP *corpo lampada* brass-colored aluminum - *alluminio color ottone*

E - CEILING CUP *rosone* matt black metal - *metallo nero opaco*

F - SUSPENSION CABLE *fune di sospensione* steel 2 meters - *acciaio 2 metri*

C - ELECTRICAL CABLE *cavo elettrico* black 2 meters - *2 metri nero*

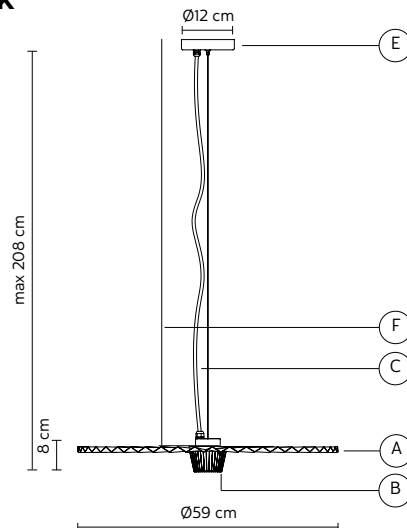
ELECTRICAL SYSTEM *dispositivo elettrico* *LED 220V, 13W, 1200lm, CRI≥80

B - DIFFUSOR *diffusore* transparent pleated glass - *vetro plissettato trasparente*

PACKAGING *imballo* 67x73x19 cm

NET WEIGHT *peso netto* 3,3 KG **GROSS WEIGHT** *peso lordo* 5,1 KG

*(cut phase dimmable - dimmerabile taglio di fase)



KIMONO pendant - sospensione **SE635V-INT** INDOOR

Matteo Ugolini design

2012

€ 825,00 vat not incl

A - LAMPSHADE *corpo lampada* white fiberglass - *vetroresina bianca*

E - CEILING CUP *rosone* matt white metal - *metallo bianco opaco*

F - SUSPENSION CABLE *fune di sospensione* steel 2 meters - *acciaio 2 metri*

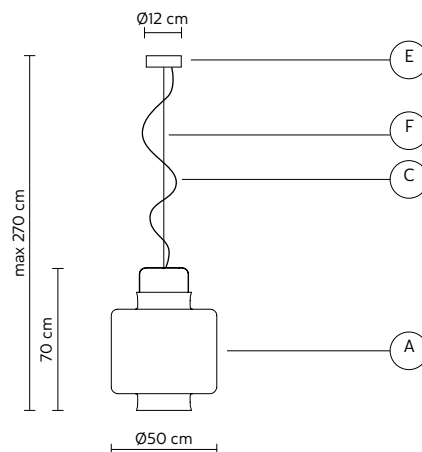
C - ELECTRICAL CABLE *cavo elettrico* transparent 2 meters - *2 metri trasparente*

OPTIONAL *accessorio* bulb not provided - *lampadina non inclusa*

ELECTRICAL SYSTEM *dispositivo elettrico* E27, 1x max 105W

PACKAGING *imballo* 63x63x67 cm

NET WEIGHT *peso netto* 4,4 KG **GROSS WEIGHT** *peso lordo* 8 KG



KIMONO pendant - sospensione **SE636V-INT** INDOOR

Matteo Ugolini design

2012

€ 825,00 vat not incl

A - LAMPSHADE *corpo lampada* white fiberglass - *vetroresina bianca*

E - CEILING CUP *rosone* matt white metal - *metallo bianco opaco*

F - SUSPENSION CABLE *fune di sospensione* steel 2 meters - *acciaio 2 metri*

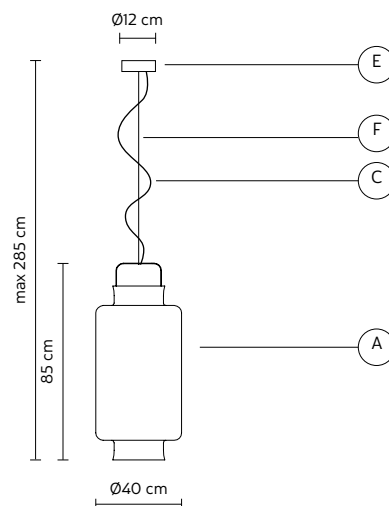
C - ELECTRICAL CABLE *cavo elettrico* transparent 2 meters - *2 metri trasparente*

OPTIONAL *accessorio* bulb not provided - *lampadina non inclusa*

ELECTRICAL SYSTEM *dispositivo elettrico* E27, 1x max 105W

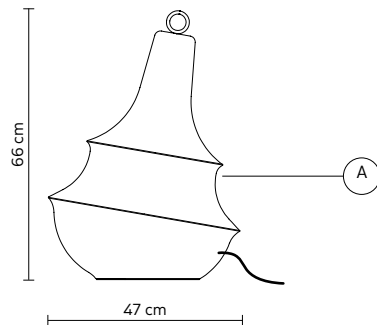
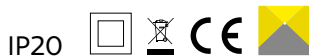
PACKAGING *imballo* 63x63x67 cm

NET WEIGHT *peso netto* 3,5 KG **GROSS WEIGHT** *peso lordo* 5,5 KG

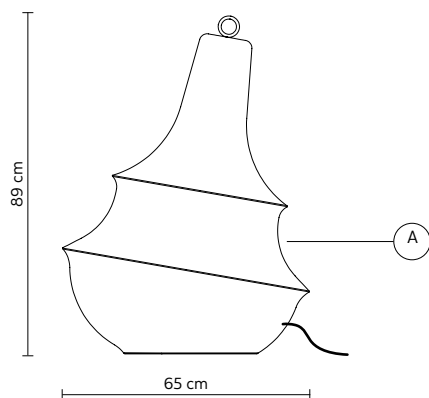


LADY D floor lamp - lampada da terra

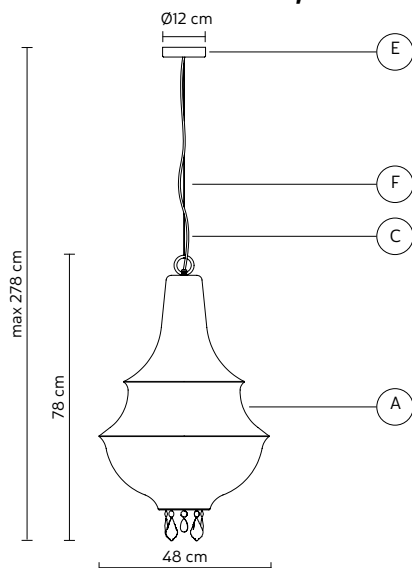
Matteo Ugolini design

HP304PB INT INDOOR**NEWS 2023**€ 890,00 vat not incl**A - LAMP** *corpo lampada* matt white fiberglass - vetroresina bianco opaco**ELECTRICAL CABLE** *cavo elettrico* black 4 meters - 4 metri nero**ELECTRICAL SYSTEM** *dispositivo elettrico* E27, 1x max 18W LED**OPTIONAL** *accessorio* bulb not provided - lampadina non inclusa**PACKAGING** *imballo* 60x60x70 cm**NET WEIGHT** *peso netto* 4,4 KG **GROSS WEIGHT** *peso lordo* 6,2 KG**LADY D** floor lamp - lampada da terra

Matteo Ugolini design

HP304GB INT INDOOR**NEWS 2023**€ 1.360,00 vat not incl**A - LAMP** *corpo lampada* matt white fiberglass - vetroresina bianco opaco**ELECTRICAL CABLE** *cavo elettrico* black 4 meters - 4 metri nero**ELECTRICAL SYSTEM** *dispositivo elettrico* E27, 1x max 18W LED**OPTIONAL** *accessorio* bulb not provided - lampadina non inclusa**PACKAGING** *imballo* 70x70x80 cm**NET WEIGHT** *peso netto* 7,5 KG **GROSS WEIGHT** *peso lordo* 9,8 KG**LADY D** pendant - sospensione

Matteo Ugolini design

SE304PB INT INDOOR**NEWS 2023**€ 860,00 vat not incl**A - LAMP** *corpo lampada* matt white fiberglass - vetroresina bianco opaco**E - CEILING CUP** *rosone* matt black metal - metallo nero opaco**F - SUSPENSION CABLE** *fune di sospensione* steel 2 meters - acciaio 2 metri**C - ELECTRICAL CABLE** *cavo elettrico* black 2 meters - 2 metri nero**ELECTRICAL SYSTEM** *dispositivo elettrico* E27, 1x max 18W LED**OPTIONAL** *accessorio* bulb not provided - lampadina non inclusa**PACKAGING** *imballo* 60x60x70 cm**NET WEIGHT** *peso netto* 3,8 KG **GROSS WEIGHT** *peso lordo* 5,5 KG

LADY D pendant - sospensione

Matteo Ugolini design

SE304GB INT INDOOR

NEWS 2023

€ 1.300,00 vat not incl

A - LAMP *corpo lampada* matt white fiberglass - vetroresina bianco opaco

E - CEILING CUP *rosone* matt black metal - metallo nero opaco

F - SUSPENSION CABLE *fune di sospensione* steel 2 meters - acciaio 2 metri

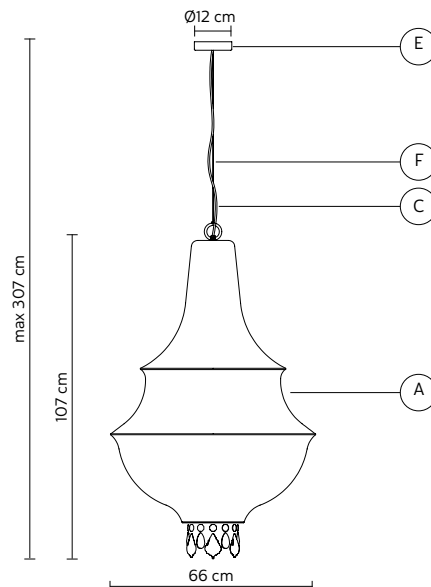
C - ELECTRICAL CABLE *cavo elettrico* black 2 meters - 2 metri nero

ELECTRICAL SYSTEM *dispositivo elettrico* E27, 1x max 18W LED

OPTIONAL *accessorio* bulb not provided - lampadina non inclusa

PACKAGING *imballo* 70x70x80 cm

NET WEIGHT *peso netto* 6,5 KG **GROSS WEIGHT** *peso lordo* 8,5 KG



LE TRULLE pendant - sospensione

Edmondo Testaguzza design

SE654T INDOOR

2013

€ 915,00 vat not incl

A - LAMPSHADE *corpo lampada* natural ceramic - ceramica naturale

B - LAMPSHADE *corpo lampada* stainless steel white - filo metallico bianco

E - CEILING CUP *rosone* matt white metal - metallo bianco opaco

F - SUSPENSION CABLE *fune di sospensione* steel 2 meters - acciaio 2 metri

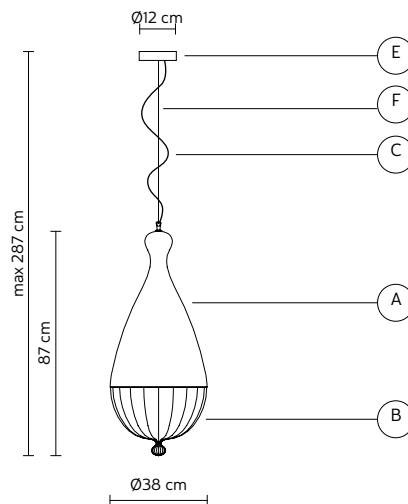
C - ELECTRICAL CABLE *cavo elettrico* transparent 2 meters - 2 metri trasparente

OPTIONAL *accessorio* bulb not provided - lampadina non inclusa

ELECTRICAL SYSTEM *dispositivo elettrico* E27, 1x max 70W

PACKAGING *imballo* 50x70x80 cm

NET WEIGHT *peso netto* 7,5 KG **GROSS WEIGHT** *peso lordo* 11,8 KG



LE TRULLE pendant - sospensione

Edmondo Testaguzza design

SE655T INDOOR

2013

€ 700,00 vat not incl

A - LAMPSHADE *corpo lampada* natural ceramic - ceramica naturale

B - LAMPSHADE *corpo lampada* stainless steel white - filo metallico bianco

E - CEILING CUP *rosone* matt white metal - metallo bianco opaco

F - SUSPENSION CABLE *fune di sospensione* steel 2 meters - acciaio 2 metri

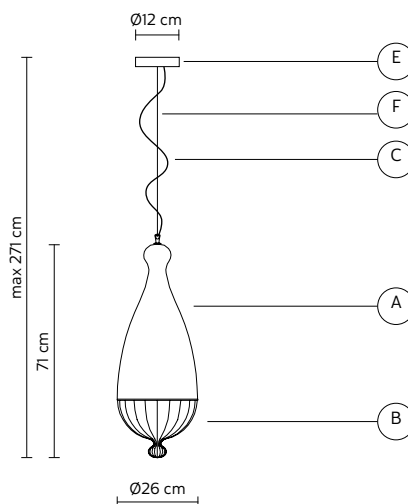
C - ELECTRICAL CABLE *cavo elettrico* transparent 2 meters - 2 metri trasparente

OPTIONAL *accessorio* bulb not provided - lampadina non inclusa

ELECTRICAL SYSTEM *dispositivo elettrico* E27, 1x max 70W

PACKAGING *imballo* 66x44x44 cm

NET WEIGHT *peso netto* 4,2 KG **GROSS WEIGHT** *peso lordo* 7,8 KG



LEDA hanging floor lamp - cielo terra

HP293 AN INT INDOOR
HP293 AO INT INDOOR

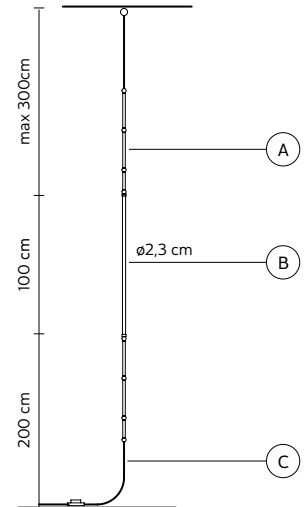
€ 975,00 vat not incl

Luca De Bona & Dario De Meo design

2022

A - LAMP <i>corpo lampada</i>	matt black aluminum - <i>alluminio nero opaco</i> HP293AN INT matt bronze aluminum - <i>alluminio bronzo opaco</i> HP293AO INT
B - SHADE <i>diffusore</i>	matt white silicone - <i>silicone bianco opaco</i>
C - ELECTRICAL CABLE <i>cavo elettrico</i>	black 3+2+2 meters - <i>3+2+2 metri nero</i>
ELECTRICAL SYSTEM <i>dispositivo elettrico</i>	LED 24V, 14,4W, 922 lm, 3000K, CRI \geq 90
OPTIONAL <i>accessorio</i>	power supply equipped - <i>alimentatore incluso</i>
PACKAGING <i>imballo</i>	45x45x10 cm
NET WEIGHT <i>peso netto</i> 1,8 KG	GROSS WEIGHT <i>peso lordo</i> 2,8 KG

*(foot dimmable switch - pedaliera dimmerabile)



LEDA pendant - sospensione

SE293 AN INT INDOOR
SE293 AO INT INDOOR

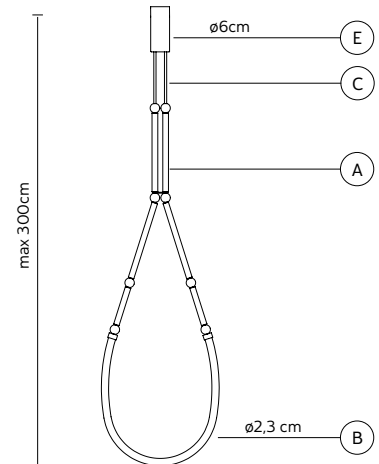
€ 890,00 vat not incl

Luca De Bona & Dario De Meo design

2022

A - LAMP <i>corpo lampada</i>	matt black aluminum - <i>alluminio nero opaco</i> SE293AN INT matt bronze aluminum - <i>alluminio bronzo opaco</i> SE293AO INT
B - SHADE <i>diffusore</i>	matt white silicone - <i>silicone bianco opaco</i>
C - ELECTRICAL CABLE <i>cavo elettrico</i>	black 3+3 meters - <i>3+3 metri nero</i>
E - CEILING CUP <i>rosone</i>	matt black metal - <i>metallo nero opaco</i>
ELECTRICAL SYSTEM <i>dispositivo elettrico</i>	LED 24V, 14,4W, 922 lm, 3000K, CRI \geq 90
OPTIONAL <i>accessorio</i>	power supply equipped - <i>alimentatore incluso</i>
PACKAGING <i>imballo</i>	45x45x10 cm
NET WEIGHT <i>peso netto</i> 1,6 KG	GROSS WEIGHT <i>peso lordo</i> 2,6 KG

*(0-10V dimmable - dimmerabile 0-10V)



LEDA pendant - sospensione

SE293 BN INT INDOOR
SE293 BO INT INDOOR

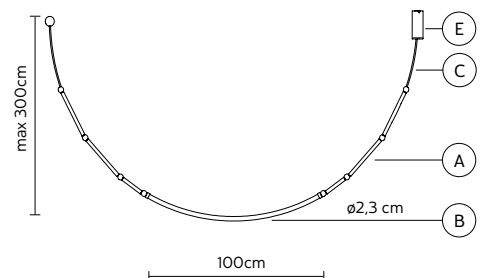
€ 955,00 vat not incl

Luca De Bona & Dario De Meo design

2022

A - LAMP <i>corpo lampada</i>	matt black aluminum - <i>alluminio nero opaco</i> SE293BN INT matt bronze aluminum - <i>alluminio bronzo opaco</i> SE293BO INT
B - SHADE <i>diffusore</i>	matt white silicone - <i>silicone bianco opaco</i>
C - ELECTRICAL CABLE <i>cavo elettrico</i>	black 3+3 meters - <i>3+3 metri nero</i>
E - CEILING CUP <i>rosone</i>	matt black metal - <i>metallo nero opaco</i>
ELECTRICAL SYSTEM <i>dispositivo elettrico</i>	LED 24V, 14,4W, 922 lm, 3000K, CRI \geq 90
OPTIONAL <i>accessorio</i>	power supply equipped - <i>alimentatore incluso</i>
PACKAGING <i>imballo</i>	45x45x10 cm
NET WEIGHT <i>peso netto</i> 1,8 KG	GROSS WEIGHT <i>peso lordo</i> 2,8 KG

*(0-10V dimmable - dimmerabile 0-10V)



A - LAMP *corpo lampada*

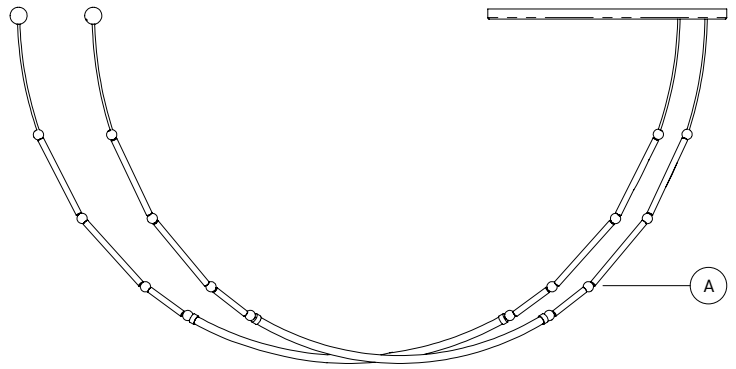
matt black aluminum - *alluminio nero opaco* **SE293GN INT**
matt bronze aluminum - *alluminio bronzo opaco* **SE293GO INT**
power supply equipped - *alimentatore incluso**

SE293CN INT

- SE293N1 INT 2pz pag.67
- SR293N3 INT 1pz pag.67

SE293CO INT

- SE293O1 INT 2pz pag.67
- SR293N3 INT 1pz pag.67



*(0-10V dimmable - dimmerabile 0-10V)

A - LAMP *corpo lampada*

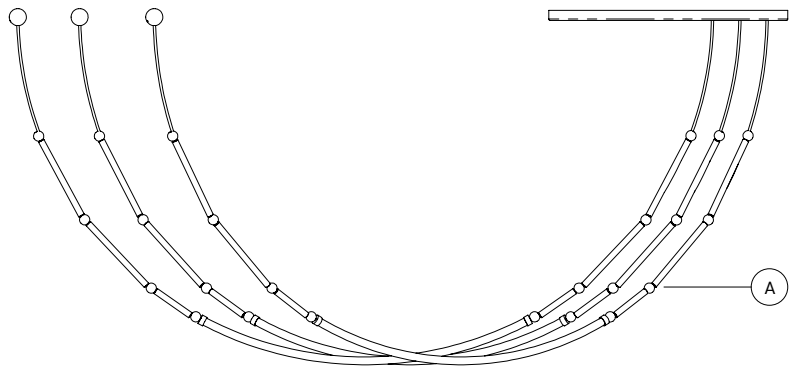
matt black aluminum - *alluminio nero opaco* **SE293CN INT**
matt bronze aluminum - *alluminio bronzo opaco* **SE293CO INT**
power supply equipped - *alimentatore incluso**

SE293CN INT

- SE293N1 INT 3pz pag.67
- SR293N3 INT 1pz pag.67

SE293CO INT

- SE293O1 INT 3pz pag.67
- SR293N3 INT 1pz pag.67



*(0-10V dimmable - dimmerabile 0-10V)

Horizontal lines for notes or specifications.

LEDA pendant - sospensione

SE293 EN INT INDOOR
SE293 EO INT INDOOR

€ 2.785,00 vat not incl

Luca De Bona & Dario De Meo design

2022

A - LAMP *corpo lampada*

matt black aluminum - *alluminio nero opaco* **SE293EN INT**
matt bronze aluminum - *alluminio bronzo opaco* **SE293EO INT**
power supply equipped - *alimentatore incluso**

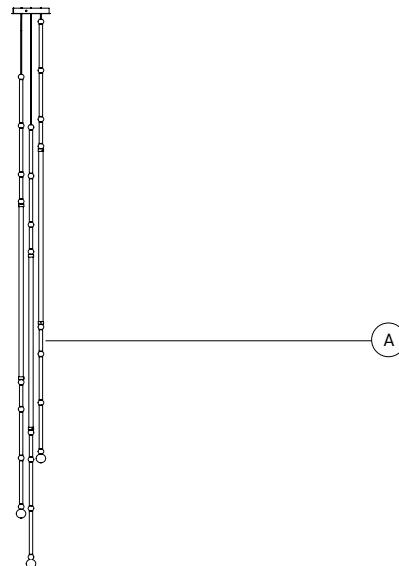
SE293EN INT

- SE293N1 INT 3pz pag.67
- SR293N2 INT 1pz pag.67

SE293EO INT

- SE293O1 INT 3pz pag.67
- SR293N2 INT 1pz pag.67

*(0-10V dimmable - dimmerabile 0-10V)



LEDA pendant - sospensione

SE293 HN INT INDOOR
SE293 HO INT INDOOR

€ 3.655,00 vat not incl

Luca De Bona & Dario De Meo design

2022

A - LAMP *corpo lampada*

matt black aluminum - *alluminio nero opaco* **SE293HN INT**
matt bronze aluminum - *alluminio bronzo opaco* **SE293HO INT**
power supply equipped - *alimentatore incluso**

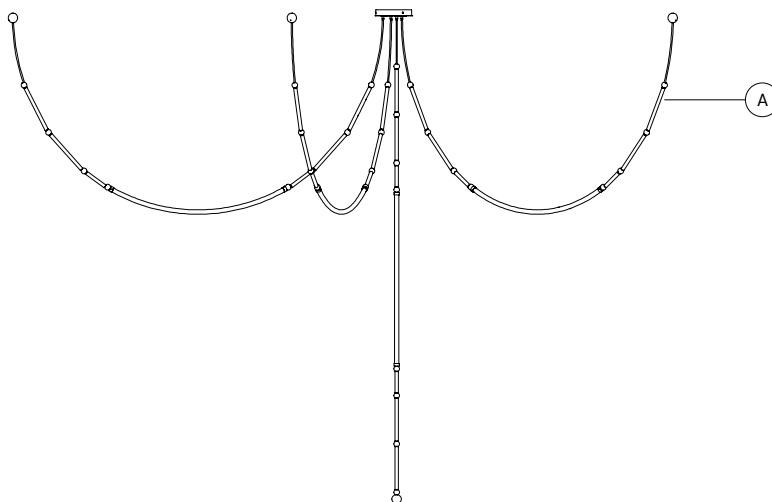
SE293DN INT

- SE293N1 INT 4pz pag.67
- SR293N2 INT 1pz pag.67

SE293DO INT

- SE293O1 INT 4pz pag.67
- SR293N2 INT 1pz pag.67

*(0-10V dimmable - dimmerabile 0-10V)



LEDA pendant - sospensione

SE293 DN INT INDOOR
SE293 DO INT INDOOR

€ 5.265,00 vat not incl

Luca De Bona & Dario De Meo design

2022

A - LAMP *corpo lampada*

matt black aluminum - *alluminio nero opaco* **SE293DN INT**
matt bronze aluminum - *alluminio bronzo opaco* **SE293DO INT**
power supply equipped - *alimentatore incluso**

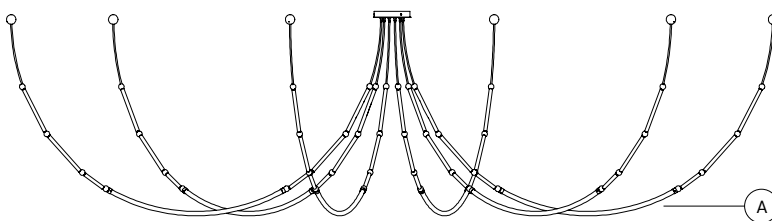
SE293DN INT

- SE293N1 INT 6pz pag.67
- SR293N2 INT 1pz pag.67

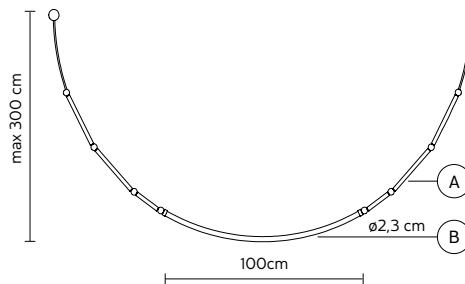
SE293DO INT

- SE293O1 INT 6pz pag.67
- SR293N2 INT 1pz pag.67

*(0-10V dimmable - dimmerabile 0-10V)



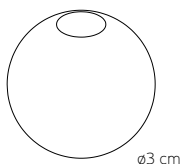
A - LAMP <i>corpo lampada</i>	matt black aluminum - <i>alluminio nero opaco</i> SE293N1 INT matt bronze aluminum - <i>alluminio bronzo opaco</i> SE293O1 INT
B - SHADE <i>diffusore</i>	matt white silicone - <i>silicone bianco opaco</i>
ELECTRICAL CABLE <i>cavo elettrico</i>	black 3+3 meters - <i>3+3 metri nero</i>
ELECTRICAL SYSTEM <i>dispositivo elettrico</i>	LED 24V, 14,4W, 922 lm, 3000K, CRI≥90
OPTIONAL <i>accessorio</i>	20W power supply - <i>alimentatore</i> AC293AL EXT 65€ multiple comp. ceiling cups - <i>rosoni comp. multiple</i> pag.67
PACKAGING <i>imballo</i>	45x45x10 cm
NET WEIGHT <i>peso netto</i> 1,4 KG	GROSS WEIGHT <i>peso lordo</i> 2,4 KG



BEWARE: Extra low voltage lamp, power supply necessary

ATTENZIONE: Lampada bassissima tensione, necessario alimentatore

LEDA optional - accessori



ø3 cm

AC293SN INT € 32,00 vat not incl
matt black aluminum - *alluminio nero opaco*

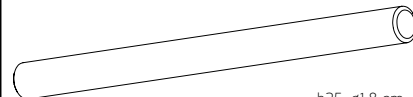
AC293SO INT € 32,00 vat not incl
matt bronze aluminum - *alluminio bronzo opaco*



h12,5 ø1,8 cm

AC293N2 INT € 27,00 vat not incl
matt black aluminum - *alluminio nero opaco*

AC293O2 INT € 27,00 vat not incl
matt bronze aluminum - *alluminio bronzo opaco*

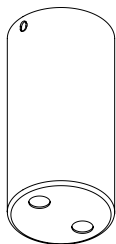


h25 ø1,8 cm

AC293N3 INT € 30,00 vat not incl
matt black aluminum - *alluminio nero opaco*

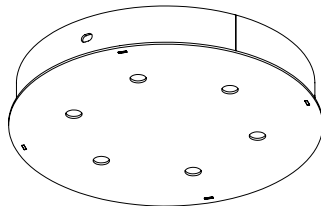
AC293O3 INT € 30,00 vat not incl
matt bronze aluminum - *alluminio bronzo opaco*

LEDA multiple comp. ceiling cups - *rosoni comp. multiple*



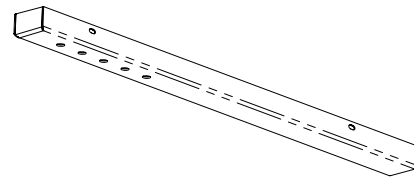
h13,5 ø6,5cm

SR293 N1 INT € 85,00 vat not incl
matt black metal - *metallo nero opaco*
power supply not included



h4 ø20cm





SR293N2 INT € 240,00 vat not incl
matt black metal - *metallo nero opaco*
power supply not included

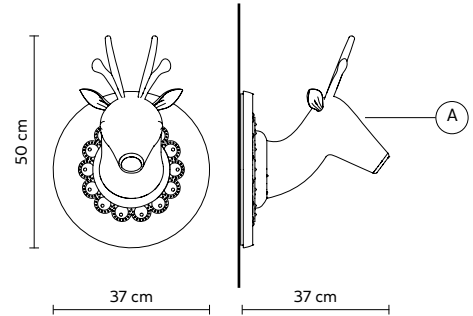


70x5xh3 cm

SR293N3 INT € 240,00 vat not incl
matt black metal - *metallo nero opaco*
power supply not included

A - LAMP <i>corpo lampada</i>	matt white ceramic - <i>ceramica bianca opaca</i>
ELECTRICAL SYSTEM <i>dispositivo elettrico</i>	E27, 1x max 70W
OPTIONAL <i>accessorio</i>	bulb not provided - <i>lampadina non inclusa</i>
PACKAGING <i>imballo</i>	50x50x50 cm
NET WEIGHT <i>peso netto</i> 3,3 KG	GROSS WEIGHT <i>peso lordo</i> 6,3 KG

IP20    **CE** 



MEK pendant - sospensione

SE107 1B INT INDOOR

€ 345,00 vat not incl

SE107 4B INT INDOOR

€ 465,00 vat not incl

SE107 7B INT INDOOR

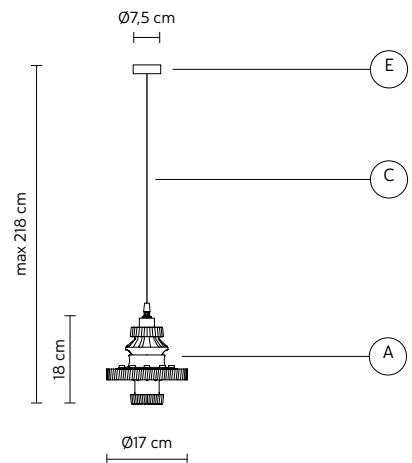
€ 465,00 vat not incl

Stefano Bizzarri & Claudio Cinti design

2015/2020

A - LAMP <i>corpo lampada</i>	matt white ceramic - <i>ceramica bianca opaca</i>
E - CEILING CUP <i>rosone</i>	matt white metal - <i>metallo bianco opaco</i>
C - ELECTRICAL CABLE <i>cavo elettrico</i>	white fabric cable 2 meters - <i>2 metri telato bianco</i>
ELECTRICAL SYSTEM <i>dispositivo elettrico</i>	E27, 1x max 105W SE107 1B INT LED 5,5W, 170mA 600 lm CRI≥85, 3000K SE107 4B INT LED 5,5W, 170mA 600 lm CRI≥85, 2700K SE107 7B INT
OPTIONAL <i>accessorio</i>	bulb not provided - <i>lampadina non inclusa</i> 700L pag.137 SE107 1B INT power supply equipped - <i>alimentatore incluso</i> SE107 4B INT power supply equipped - <i>alimentatore incluso</i> SE107 7B INT
PACKAGING <i>imballo</i>	32x24x32 cm
NET WEIGHT <i>peso netto</i> 1,3 KG	GROSS WEIGHT <i>peso lordo</i> 2,2 KG

IP20    **CE** 



MEK pendant - sospensione

SE107 1N INT INDOOR

€ 345,00 vat not incl

SE107 4N INT INDOOR

€ 465,00 vat not incl

SE107 7N INT INDOOR

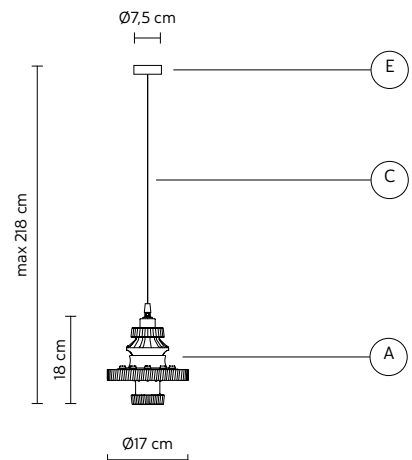
€ 465,00 vat not incl

Stefano Bizzarri & Claudio Cinti design

2015/2020

A - LAMP <i>corpo lampada</i>	matt black ceramic - <i>ceramica nera opaca</i>
E - CEILING CUP <i>rosone</i>	matt black metal - <i>metallo nero opaco</i>
C - ELECTRICAL CABLE <i>cavo elettrico</i>	black fabric cable 2 meters - <i>2 metri telato nero</i>
ELECTRICAL SYSTEM <i>dispositivo elettrico</i>	E27, 1x max 105W SE107 1N INT LED 5,5W, 170mA 600 lm CRI≥85, 3000K SE107 4N INT LED 5,5W, 170mA 600 lm CRI≥85, 2700K SE107 7N INT
OPTIONAL <i>accessorio</i>	bulb not provided - <i>lampadina non inclusa</i> 700L pag.137 SE107 1N INT power supply equipped - <i>alimentatore incluso</i> SE107 4N INT power supply equipped - <i>alimentatore incluso</i> SE107 7N INT
PACKAGING <i>imballo</i>	32x24x32 cm
NET WEIGHT <i>peso netto</i> 1,3 KG	GROSS WEIGHT <i>peso lordo</i> 2,2 KG

IP20    **CE** 



MEK pendant - sospensione

SE107 1R INT INDOOR

€ 430,00 vat not incl

SE107 4R INT INDOOR

€ 530,00 vat not incl

SE107 7R INT INDOOR

€ 530,00 vat not incl

Stefano Bizzarri & Claudio Cinti design

2015/2020

A - LAMP *corpo lampada* glossy white & bronze ceramic - *ceramica bianca e bronzo lucida*

E - CEILING CUP *rosone* glossy white metal - *metallo bianco lucido*

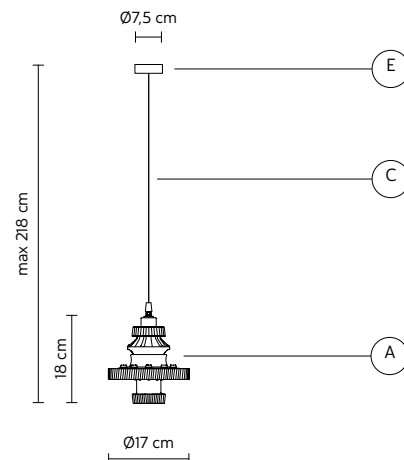
C - ELECTRICAL CABLE *cavo elettrico* white fabric cable 2 meters - *2 metri telato bianco*

ELECTRICAL SYSTEM *dispositivo elettrico* E27, 1x max 105W **SE107 1R INT**
LED 5,5W, 170mA 600 lm CRI≥85, 3000K **SE107 4R INT**
LED 5,5W, 170mA 600 lm CRI≥85, 2700K **SE107 7R INT**

OPTIONAL *accessorio* bulb not provided - *lampadina non inclusa* **700L** pag.137 **SE107 1R INT**
power supply equipped - *alimentatore incluso* **SE107 4R INT**
power supply equipped - *alimentatore incluso* **SE107 7R INT**

PACKAGING *imballo* 32x24x32 cm

NET WEIGHT *peso netto* 1,3 KG **GROSS WEIGHT** *peso lordo* 2,2 KG



MEK pendant - sospensione

SE107 2B INT INDOOR

€ 345,00 vat not incl

SE107 5B INT INDOOR

€ 465,00 vat not incl

SE107 8B INT INDOOR

€ 465,00 vat not incl

Stefano Bizzarri & Claudio Cinti design

2015/2020

A - LAMP *corpo lampada* matt white ceramic - *ceramica bianca opaca*

E - CEILING CUP *rosone* matt white metal - *metallo bianco opaco*

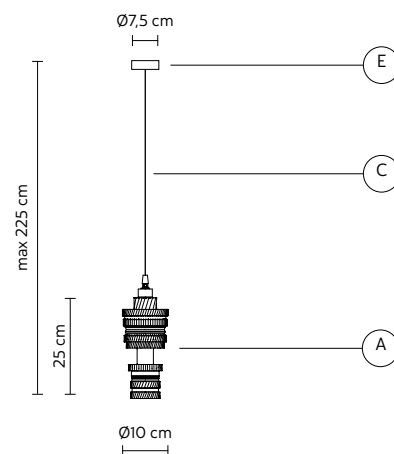
C - ELECTRICAL CABLE *cavo elettrico* white fabric cable 2 meters - *2 metri telato bianco*

ELECTRICAL SYSTEM *dispositivo elettrico* E27, 1x max 105W **SE107 2B INT**
LED 5,5W, 170mA 600 lm CRI≥85, 3000K **SE107 5B INT**
LED 5,5W, 170mA 600 lm CRI≥85, 2700K **SE107 8B INT**

OPTIONAL *accessorio* bulb not provided - *lampadina non inclusa* **700L** pag.137 **SE107 2B INT**
power supply equipped - *alimentatore incluso* **SE107 5B INT**
power supply equipped - *alimentatore incluso* **SE107 8B INT**

PACKAGING *imballo* 32x24x32 cm

NET WEIGHT *peso netto* 1,3 KG **GROSS WEIGHT** *peso lordo* 2,2 KG



MEK pendant - sospensione

SE107 2N INT INDOOR

€ 345,00 vat not incl

SE107 5N INT INDOOR

€ 465,00 vat not incl

SE107 8N INT INDOOR

€ 465,00 vat not incl

Stefano Bizzarri & Claudio Cinti design

2015/2020

A - LAMP *corpo lampada* matt black ceramic - *ceramica nera opaca*

E - CEILING CUP *rosone* matt black metal - *metallo nero opaco*

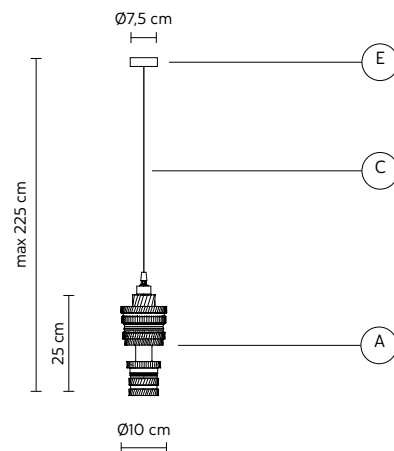
C - ELECTRICAL CABLE *cavo elettrico* black fabric cable 2 meters - *2 metri telato nero*

ELECTRICAL SYSTEM *dispositivo elettrico* E27, 1x max 105W **SE107 2N INT**
LED 5,5W, 170mA 600 lm CRI≥85, 3000K **SE107 5N INT**
LED 5,5W, 170mA 600 lm CRI≥85, 2700K **SE107 8N INT**

OPTIONAL *accessorio* bulb not provided - *lampadina non inclusa* **700L** pag.137 **SE107 2N INT**
power supply equipped - *alimentatore incluso* **SE107 5N INT**
power supply equipped - *alimentatore incluso* **SE107 8N INT**

PACKAGING *imballo* 32x24x32 cm

NET WEIGHT *peso netto* 1,3 KG **GROSS WEIGHT** *peso lordo* 2,2 KG



MEK pendant - sospensione

SE107 2R INT INDOOR

€ 430,00 vat not incl

SE107 5R INT INDOOR

€ 530,00 vat not incl

SE107 8R INT INDOOR

€ 530,00 vat not incl

Stefano Bizzarri & Claudio Cinti design

2015/2020

A - LAMP *corpo lampada* glossy white & bronze ceramic - *ceramica bianca e bronzo lucida*

E - CEILING CUP *rosone* glossy white metal - *metallo bianco lucido*

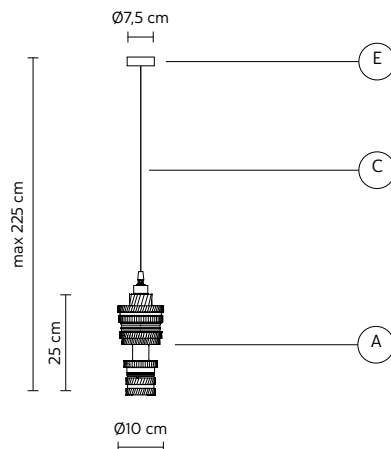
C - ELECTRICAL CABLE *cavo elettrico* white fabric cable 2 meters - *2 metri telato bianco*

ELECTRICAL SYSTEM *dispositivo elettrico* E27, 1x max 105W **SE107 2R INT**
LED 5,5W, 170mA 600 lm CRI≥85, 3000K **SE107 5R INT**
LED 5,5W, 170mA 600 lm CRI≥85, 2700K **SE107 8R INT**

OPTIONAL *accessorio* bulb not provided - *lampadina non inclusa* **700L** pag.137 **SE107 2R INT**
power supply equipped - *alimentatore incluso* **SE107 5R INT**
power supply equipped - *alimentatore incluso* **SE107 8R INT**

PACKAGING *imballo* 32x24x32 cm

NET WEIGHT *peso netto* 1,3 KG **GROSS WEIGHT** *peso lordo* 2,2 KG



MEK pendant - sospensione

SE107 3B INT INDOOR

€ 345,00 vat not incl

SE107 6B INT INDOOR

€ 465,00 vat not incl

SE107 9B INT INDOOR

€ 465,00 vat not incl

Stefano Bizzarri & Claudio Cinti design

2015/2020

A - LAMP *corpo lampada* matt white ceramic - *ceramica bianca opaca*

E - CEILING CUP *rosone* matt white metal - *metallo bianco opaco*

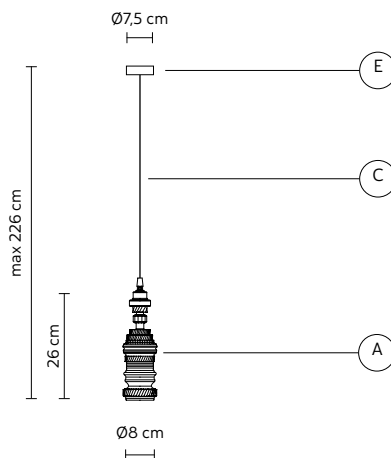
C - ELECTRICAL CABLE *cavo elettrico* white fabric cable 2 meters - *2 metri telato bianco*

ELECTRICAL SYSTEM *dispositivo elettrico* E27, 1x max 105W **SE107 3B INT**
LED 5,5W, 170mA 600 lm CRI≥85, 3000K **SE107 6B INT**
LED 5,5W, 170mA 600 lm CRI≥85, 2700K **SE107 9B INT**

OPTIONAL *accessorio* bulb not provided - *lampadina non inclusa* **700L** pag.137 **SE107 3B INT**
power supply equipped - *alimentatore incluso* **SE107 6B INT**
power supply equipped - *alimentatore incluso* **SE107 9B INT**

PACKAGING *imballo* 32x24x32 cm

NET WEIGHT *peso netto* 0,9 KG **GROSS WEIGHT** *peso lordo* 1,4 KG



MEK pendant - sospensione

SE107 3N INT INDOOR

€ 345,00 vat not incl

SE107 6N INT INDOOR

€ 465,00 vat not incl

SE107 9N INT INDOOR

€ 465,00 vat not incl

Stefano Bizzarri & Claudio Cinti design

2015/2020

A - LAMP *corpo lampada* matt black ceramic - *ceramica nera opaca*

E - CEILING CUP *rosone* matt black metal - *metallo nero opaco*

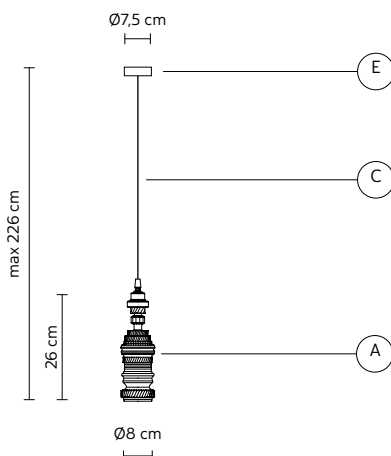
C - ELECTRICAL CABLE *cavo elettrico* black fabric cable 2 meters - *2 metri telato nero*

ELECTRICAL SYSTEM *dispositivo elettrico* E27, 1x max 105W **SE107 3N INT**
LED 5,5W, 170mA 600 lm CRI≥85, 3000K **SE107 6N INT**
LED 5,5W, 170mA 600 lm CRI≥85, 2700K **SE107 9N INT**

OPTIONAL *accessorio* bulb not provided - *lampadina non inclusa* **700L** pag.137 **SE107 3N INT**
power supply equipped - *alimentatore incluso* **SE107 6N INT**
power supply equipped - *alimentatore incluso* **SE107 9N INT**

PACKAGING *imballo* 32x24x32 cm

NET WEIGHT *peso netto* 0,9 KG **GROSS WEIGHT** *peso lordo* 1,4 KG



MEK pendant - sospensione**SE107 3R INT** INDOOR

€ 430,00 vat not incl

SE107 6R INT INDOOR

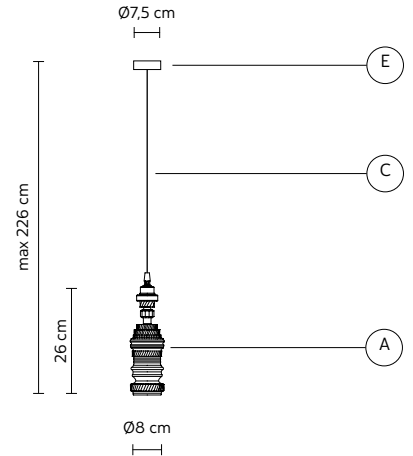
€ 530,00 vat not incl

SE107 9R INT INDOOR

€ 530,00 vat not incl

Stefano Bizzarri & Claudio Cinti design

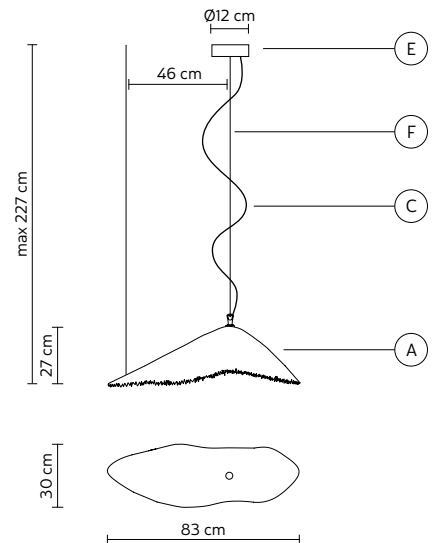
2015/2020

A - LAMP *corpo lampada* glossy white & bronze ceramic - *ceramica bianca e bronzo lucida***E - CEILING CUP** *rosone* glossy white metal - *metallo bianco lucido***C - ELECTRICAL CABLE** *cavo elettrico* white fabric cable 2 meters - *2 metri telato bianco***ELECTRICAL SYSTEM** *dispositivo elettrico* E27, 1x max 105W **SE107 3R INT**
LED 5,5W, 170mA 600 lm CRI≥85, 3000K **SE107 6R INT**
LED 5,5W, 170mA 600 lm CRI≥85, 2700K **SE107 9R INT****OPTIONAL** *accessorio* bulb not provided - *lampadina non inclusa* **700L** pag.137 **SE107 3R INT**
power supply equipped - *alimentatore incluso* **SE107 6R INT**
power supply equipped - *alimentatore incluso* **SE107 9R INT****PACKAGING** *imballo* 32x24x32 cm**NET WEIGHT** *peso netto* 0,9 KG **GROSS WEIGHT** *peso lordo* 1,4 KG**MOBY DICK** pendant - sospensione**SE646P** INDOOR

€ 805,00 vat not incl

Matteo Ugolini design

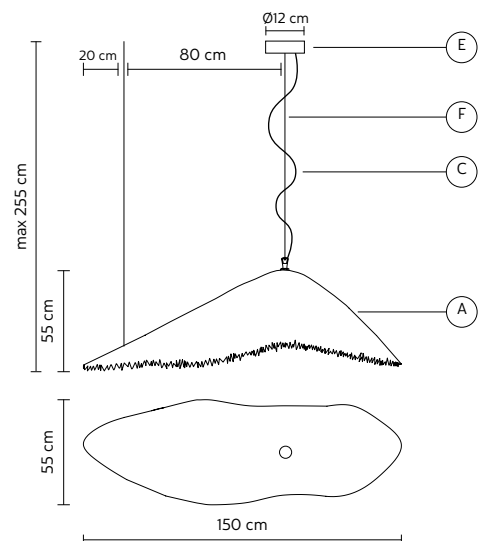
2013

A - STRUCTURE *struttura* white fiberglass - *vetroresina bianco***E - CEILING CUP** *rosone* matt white metal - *metallo bianco opaco***F - SUSPENSION CABLE** *fune di sospensione* steel 2 meters - *acciaio 2 metri***C - ELECTRICAL CABLE** *cavo elettrico* transparent 2 meters - *2 metri trasparente***OPTIONAL** *accessorio* bulb not provided - *lampadina non inclusa***ELECTRICAL SYSTEM** *dispositivo elettrico* E27, 1x max 70W**PACKAGING** *imballo* 43x43x82 cm**NET WEIGHT** *peso netto* 2 KG **GROSS WEIGHT** *peso lordo* 3,6 KG**MOBY DICK** pendant - sospensione**SE647G** INDOOR

€ 1.005,00 vat not incl

Matteo Ugolini design

2013

A - STRUCTURE *struttura* white fiberglass - *vetroresina bianco***E - CEILING CUP** *rosone* matt white metal - *metallo bianco opaco***F - SUSPENSION CABLE** *fune di sospensione* steel 2 meters - *acciaio 2 metri***C - ELECTRICAL CABLE** *cavo elettrico* transparent 2 meters - *2 metri trasparente***OPTIONAL** *accessorio* bulb not provided - *lampadina non inclusa***ELECTRICAL SYSTEM** *dispositivo elettrico* E27, 1x max 105W**PACKAGING** *imballo* 74x62x138 cm**NET WEIGHT** *peso netto* 7,2 KG **GROSS WEIGHT** *peso lordo* 12,2 KG

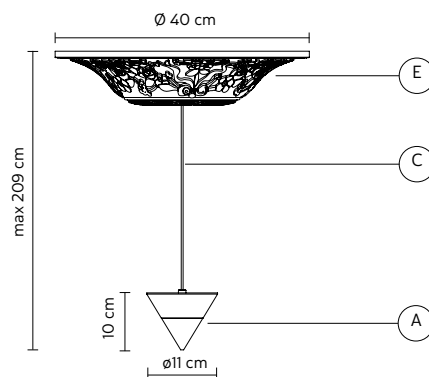
MOONBLOOM pendant - sospensione**SE256 1B INT** INDOOR - **3000K**€ **925,00** vat not incl**SE256 5B INT** INDOOR - **2700K**

Matteo Ugolini design

2021

A - LAMP *corpo lampada* matt black aluminum - *alluminio nero opaco***E - CEILING CUP** *rosone* white plaster - *gesso bianco***C - ELECTRICAL CABLE** *cavo elettrico* black 2 meters - *2 metri nero***OPTIONAL** *accessorio* power supply equipped - *alimentatore incluso***ELECTRICAL SYSTEM** *dispositivo elettrico* LED 24V, 16,8W*, 1821 lm CRI≥90**PACKAGING** *imballo* 51x51x32 cm**NET WEIGHT** *peso netto* 4,8 KG **GROSS WEIGHT** *peso lordo* 7,9 KG

*(0-10V dimmable - dimmerabile 0-10V)

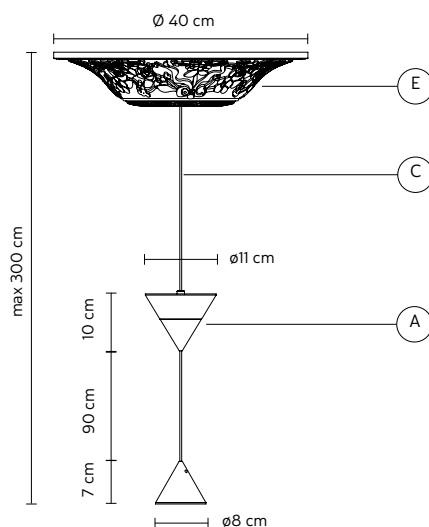
**MOONBLOOM** pendant - sospensione**SE256 2B INT** INDOOR - **3000K**€ **1.170,00** vat not incl**SE256 6B INT** INDOOR - **2700K**

Matteo Ugolini design

2021

A - LAMP *corpo lampada* matt black aluminum - *alluminio nero opaco***E - CEILING CUP** *rosone* white plaster - *gesso bianco***C - ELECTRICAL CABLE** *cavo elettrico* black 3 meters - *3 metri nero***OPTIONAL** *accessorio* power supply equipped - *alimentatore incluso***ELECTRICAL SYSTEM** *dispositivo elettrico* top: LED 24V*, 16,8W, 1821 lm CRI≥90
bottom: LED 24V*, 8,4W, 907 lm CRI≥90**PACKAGING** *imballo* 51x51x32 cm**NET WEIGHT** *peso netto* 4,9 KG **GROSS WEIGHT** *peso lordo* 8,1 KG

*(0-10V dimmable - dimmerabile 0-10V)

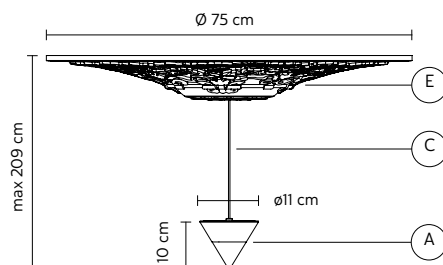
**MOONBLOOM** pendant - sospensione**SE256 3B INT** INDOOR - **3000K**€ **1.285,00** vat not incl**SE256 7B INT** INDOOR - **2700K**

Matteo Ugolini design

2021

A - LAMP *corpo lampada* matt black aluminum - *alluminio nero opaco***E - CEILING CUP** *rosone* white plaster - *gesso bianco***C - ELECTRICAL CABLE** *cavo elettrico* black 2 meters - *2 metri nero***OPTIONAL** *accessorio* power supply equipped - *alimentatore incluso***ELECTRICAL SYSTEM** *dispositivo elettrico* LED 24V, 16,8W*, 1821 lm CRI≥90**PACKAGING** *imballo* 104x91x17 cm**NET WEIGHT** *peso netto* 14,5 KG **GROSS WEIGHT** *peso lordo* 18,8 KG

*(0-10V dimmable - dimmerabile 0-10V)



A - LAMP *corpo lampada* matt black aluminum - *alluminio nero opaco*

E - CEILING CUP *rosone* white plaster - *gesso bianco*

C - ELECTRICAL CABLE *cavo elettrico* black 3 meters - *3 metri nero*

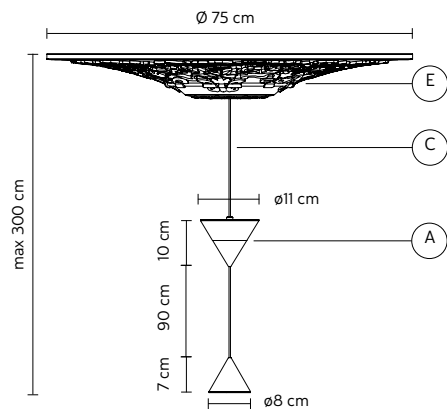
OPTIONAL *accessorio* power supply equipped - *alimentatore incluso*

ELECTRICAL SYSTEM *dispositivo elettrico* top: LED 24V*, 16,8W, 1821 lm CRI≥90
bottom: LED 24V*, 8,4W, 907 lm CRI≥90

PACKAGING *imballo* 104x91x17 cm

NET WEIGHT *peso netto* 15,2 KG **GROSS WEIGHT** *peso lordo* 19,2 KG

*(0-10V dimmable - dimmerabile 0-10V)



Series of horizontal lines for notes or specifications.

Series of horizontal lines for notes or specifications.

MOVIDA wall lamp - applique

AP262 BC EXT INDOOR/OUTDOOR - **3000K**

€ **405,00** vat not incl

AP262 BE EXT INDOOR/OUTDOOR - **2700K**

Matteo Ugolini & Edmondo Testaguzza design

2021

A - LAMP *corpo lampada*

matt white aluminum - *alluminio bianco opaco*

ELECTRICAL SYSTEM *dispositivo elettrico*

LED CC, 6,4W*, 820 lm, 350 mA, CRI≥90

OPTIONAL *accessorio*

power supply equipped - *alimentatore incluso*

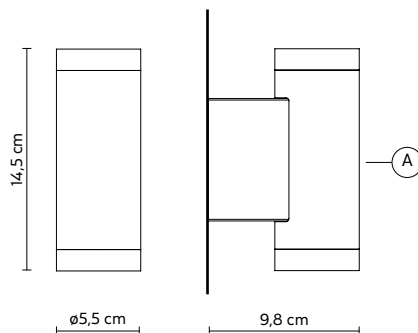
PACKAGING *imballo*

21x21x20 cm

NET WEIGHT *peso netto* 0,9 KG

GROSS WEIGHT *peso lordo* 1,6 KG

*(3,2W top + 3,2W bottom)



MOVIDA wall lamp - applique

AP262 NR EXT INDOOR/OUTDOOR - **3000K**

€ **405,00** vat not incl

AP262 NP EXT INDOOR/OUTDOOR - **2700K**

Matteo Ugolini & Edmondo Testaguzza design

2021

A - LAMP *corpo lampada*

matt black aluminum - *alluminio nero opaco*

ELECTRICAL SYSTEM *dispositivo elettrico*

LED CC, 6,4W*, 820 lm, 350 mA, CRI≥90

OPTIONAL *accessorio*

power supply equipped - *alimentatore incluso*

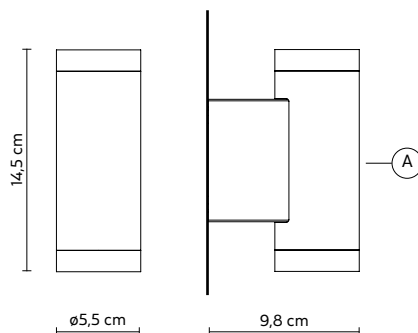
PACKAGING *imballo*

21x21x20 cm

NET WEIGHT *peso netto* 0,9 KG

GROSS WEIGHT *peso lordo* 1,6 KG

*(3,2W top + 3,2W bottom)



MOVIDA optional

AC262 BN EXT INDOOR/OUTDOOR

€ **77,00** vat not incl

Matteo Ugolini & Edmondo Testaguzza design

2021

A - DEFLECTOR *deflettore*

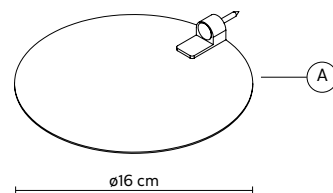
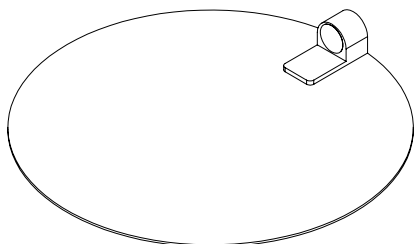
matt white aluminum - *alluminio bianco opaco*

PACKAGING *imballo*

21x21x20 cm

NET WEIGHT *peso netto* 0,1 KG

GROSS WEIGHT *peso lordo* 0,5 KG



NANDO wall lamp - applique

AP109 2B INT INDOOR

€ 315,00 vat not incl

AP109 2G INT INDOOR

AP109 2O INT INDOOR

Luca De Bona & Dario De Meo design

2015/2020

A - LAMP *corpo lampada*

matt white metal - metallo bianco opaco **AP109 2B INT**

charcoal grey metal - metallo antracite **AP109 2G INT**

gold colored metal - metallo color oro **AP109 2O INT**

ELECTRICAL SYSTEM *dispositivo elettrico*

E27, 1x max 52W

OPTIONAL *accessorio*

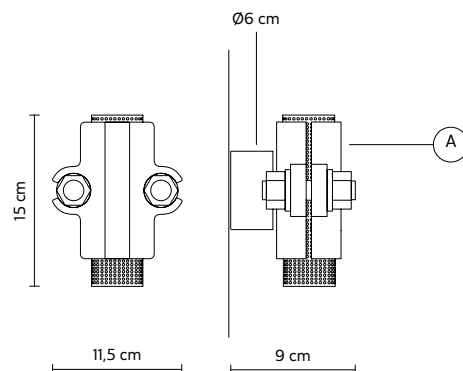
bulb not provided - lampadina non inclusa **700L** pag.136

PACKAGING *imballo*

21x21x20 cm

NET WEIGHT *peso netto* 1,2 KG

GROSS WEIGHT *peso lordo* 1,5 KG



NANDO wall lamp - applique

AP109 3B INT INDOOR

€ 430,00 vat not incl

AP109 3G INT INDOOR

AP109 50 INT INDOOR

Luca De Bona & Dario De Meo design

2015/2020

A - LAMP *corpo lampada*

matt white metal - metallo bianco opaco **AP109 3B INT**

charcoal grey metal - metallo antracite **AP109 3G INT**

gold colored metal - metallo color oro **AP109 50 INT**

ELECTRICAL SYSTEM *dispositivo elettrico*

LED 5,5W, 170mA 600 lm CRI≥85, 3000K

OPTIONAL *accessorio*

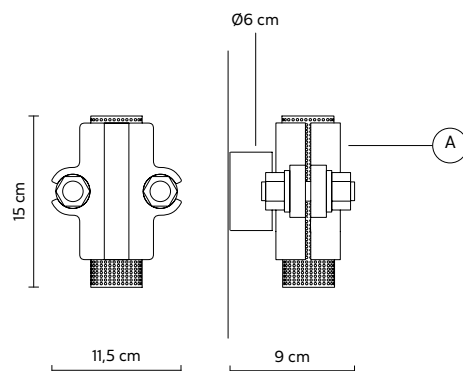
power supply equipped - alimentatore incluso

PACKAGING *imballo*

21x21x20 cm

NET WEIGHT *peso netto* 1,2 KG

GROSS WEIGHT *peso lordo* 1,5 KG



NANDO wall lamp - applique

AP109 4B INT INDOOR

€ 430,00 vat not incl

AP109 4G INT INDOOR

AP109 60 INT INDOOR

Luca De Bona & Dario De Meo design

2015/2020

A - LAMP *corpo lampada*

matt white metal - metallo bianco opaco **AP109 4B INT**

charcoal grey metal - metallo antracite **AP109 4G INT**

gold colored metal - metallo color oro **AP109 60 INT**

ELECTRICAL SYSTEM *dispositivo elettrico*

LED 5,5W, 170mA 600 lm CRI≥85, 2700K

OPTIONAL *accessorio*

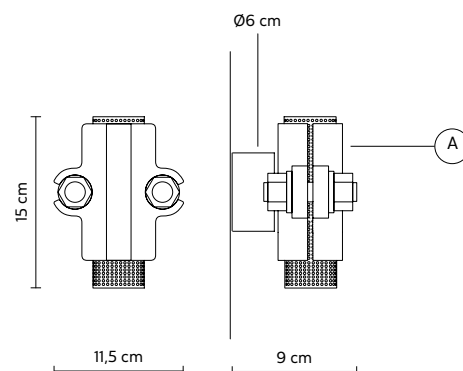
power supply equipped - alimentatore incluso

PACKAGING *imballo*

21x21x20 cm

NET WEIGHT *peso netto* 1,2 KG

GROSS WEIGHT *peso lordo* 1,5 KG



NANDO pendant - sospensione

SE109 1B INT INDOOR

€ 465,00 vat not incl

SE109 3B INT INDOOR

€ 580,00 vat not incl

SE109 4B INT INDOOR

€ 580,00 vat not incl

Stefano Bizzarri & Claudio Cinti design

2015/2020

A - LAMP *corpo lampada* matt white metal - metallo bianco opaco

E - CEILING CUP *rosone* matt white metal - metallo bianco opaco

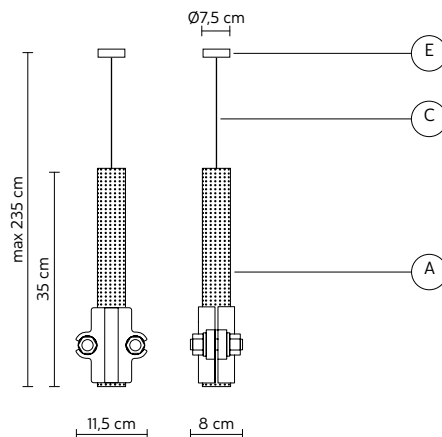
C - ELECTRICAL CABLE *cavo elettrico* white fabric cable 2 meters - 2 metri telato bianco

ELECTRICAL SYSTEM *dispositivo elettrico* E27, 1x max 77W **SE109 1B INT**
LED 5,5W, 170mA 600 lm CRI≥85, 3000K **SE109 3B INT**
LED 5,5W, 170mA 600 lm CRI≥85, 2700K **SE109 4B INT**

OPTIONAL *accessorio* bulb not provided - lampadina non inclusa **700L** pag.136 **SE109 1B INT**
power supply equipped - alimentatore incluso **SE109 3B INT**
power supply equipped - alimentatore incluso **SE109 4B INT**

PACKAGING *imballo* 31X31X23 cm

NET WEIGHT *peso netto* 1,7 KG **GROSS WEIGHT** *peso lordo* 2 KG



NANDO pendant - sospensione

SE109 1G INT INDOOR

€ 465,00 vat not incl

SE109 3G INT INDOOR

€ 580,00 vat not incl

SE109 4G INT INDOOR

€ 580,00 vat not incl

Stefano Bizzarri & Claudio Cinti design

2015/2020

A - LAMP *corpo lampada* charcoal grey metal - metallo antracite

E - CEILING CUP *rosone* matt black metal - metallo nero opaco

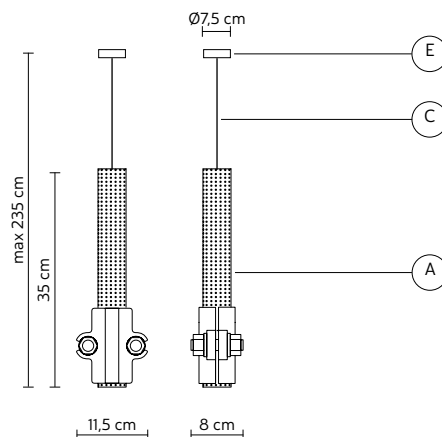
C - ELECTRICAL CABLE *cavo elettrico* black fabric cable 2 meters - 2 metri telato nero

ELECTRICAL SYSTEM *dispositivo elettrico* E27, 1x max 77W **SE109 1G INT**
LED 5,5W, 170mA 600 lm CRI≥85, 3000K **SE109 3G INT**
LED 5,5W, 170mA 600 lm CRI≥85, 2700K **SE109 4G INT**

OPTIONAL *accessorio* bulb not provided - lampadina non inclusa **700L** pag.136 **SE109 1G INT**
power supply equipped - alimentatore incluso **SE109 3G INT**
power supply equipped - alimentatore incluso **SE109 4G INT**

PACKAGING *imballo* 31X31X23 cm

NET WEIGHT *peso netto* 1,7 KG **GROSS WEIGHT** *peso lordo* 2 KG



NANDO pendant - sospensione

SE109 1O INT INDOOR

€ 465,00 vat not incl

SE109 3O INT INDOOR

€ 580,00 vat not incl

SE109 4O INT INDOOR

€ 580,00 vat not incl

Stefano Bizzarri & Claudio Cinti design

2015/2020

A - LAMP *corpo lampada* gold colored metal - metallo color oro

E - CEILING CUP *rosone* matt black metal - metallo nero opaco

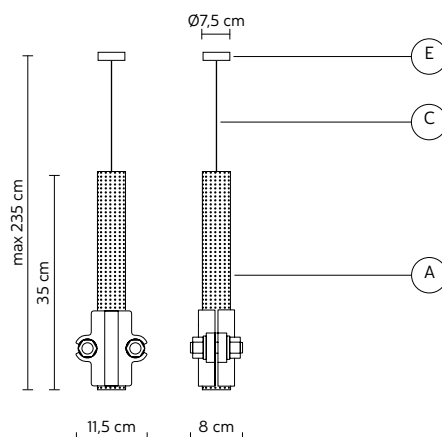
C - ELECTRICAL CABLE *cavo elettrico* black fabric cable 2 meters - 2 metri telato nero

ELECTRICAL SYSTEM *dispositivo elettrico* E27, 1x max 77W **SE109 1O INT**
LED 5,5W, 170mA 600 lm CRI≥85, 3000K **SE109 3O INT**
LED 5,5W, 170mA 600 lm CRI≥85, 2700K **SE109 4O INT**

OPTIONAL *accessorio* bulb not provided - lampadina non inclusa **700L** pag.136 **SE109 1O INT**
power supply equipped - alimentatore incluso **SE109 3O INT**
power supply equipped - alimentatore incluso **SE109 4O INT**

PACKAGING *imballo* 31X31X23 cm

NET WEIGHT *peso netto* 1,7 KG **GROSS WEIGHT** *peso lordo* 2 KG



NANDO pendant - sospensione

SE109 2B INT INDOOR

€ 415,00 vat not incl

SE109 5B INT INDOOR

€ 530,00 vat not incl

SE109 6B INT INDOOR

€ 530,00 vat not incl

Stefano Bizzarri & Claudio Cinti design

2015/2020

A - LAMP *corpo lampada* matt white metal - metallo bianco opaco

E - CEILING CUP *rosone* matt white metal - metallo bianco opaco

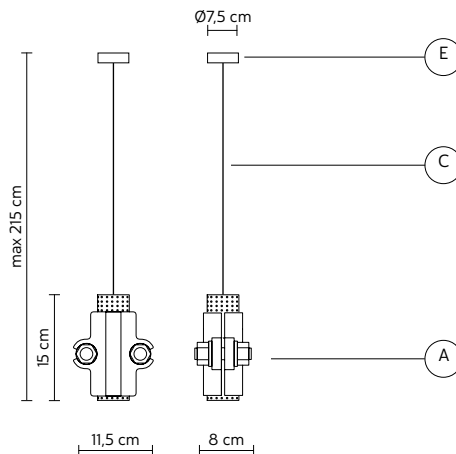
C - ELECTRICAL CABLE *cavo elettrico* white fabric cable 2 meters - 2 metri telato bianco

ELECTRICAL SYSTEM *dispositivo elettrico* E27, 1x max 77W **SE109 2B INT**
LED 5,5W, 170mA 600 lm CRI≥85, 3000K **SE109 5B INT**
LED 5,5W, 170mA 600 lm CRI≥85, 2700K **SE109 6B INT**

OPTIONAL *accessorio* bulb not provided - lampadina non inclusa **700L** pag.136 **SE109 2B INT**
power supply equipped - alimentatore incluso **SE109 5B INT**
power supply equipped - alimentatore incluso **SE109 6B INT**

PACKAGING *imballo* 21x21x20 cm

NET WEIGHT *peso netto* 1,5 KG **GROSS WEIGHT** *peso lordo* 1,7 KG



NANDO pendant - sospensione

SE109 2G INT INDOOR

€ 415,00 vat not incl

SE109 5G INT INDOOR

€ 530,00 vat not incl

SE109 6G INT INDOOR

€ 530,00 vat not incl

Stefano Bizzarri & Claudio Cinti design

2015/2020

A - LAMP *corpo lampada* charcoal grey metal - metallo antracite

E - CEILING CUP *rosone* matt black metal - metallo nero opaco

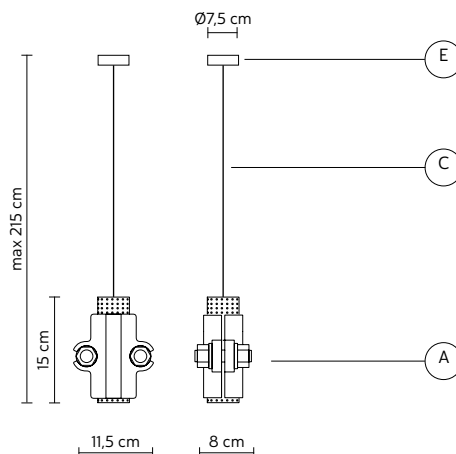
C - ELECTRICAL CABLE *cavo elettrico* black fabric cable 2 meters - 2 metri telato nero

ELECTRICAL SYSTEM *dispositivo elettrico* E27, 1x max 77W **SE109 2G INT**
LED 5,5W, 170mA 600 lm CRI≥85, 3000K **SE109 5G INT**
LED 5,5W, 170mA 600 lm CRI≥85, 2700K **SE109 6G INT**

OPTIONAL *accessorio* bulb not provided - lampadina non inclusa **700L** pag.136 **SE109 2G INT**
power supply equipped - alimentatore incluso **SE109 5G INT**
power supply equipped - alimentatore incluso **SE109 6G INT**

PACKAGING *imballo* 21x21x20 cm

NET WEIGHT *peso netto* 1,5 KG **GROSS WEIGHT** *peso lordo* 1,7 KG



NANDO pendant - sospensione

SE109 2O INT INDOOR

€ 415,00 vat not incl

SE109 5O INT INDOOR

€ 530,00 vat not incl

SE109 6O INT INDOOR

€ 530,00 vat not incl

Stefano Bizzarri & Claudio Cinti design

2015/2020

A - LAMP *corpo lampada* gold colored metal - metallo color oro

E - CEILING CUP *rosone* matt black metal - metallo nero opaco

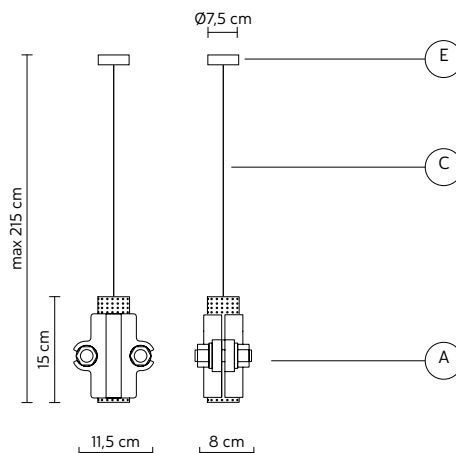
C - ELECTRICAL CABLE *cavo elettrico* black fabric cable 2 meters - 2 metri telato nero

ELECTRICAL SYSTEM *dispositivo elettrico* E27, 1x max 77W **SE109 2O INT**
LED 5,5W, 170mA 600 lm CRI≥85, 3000K **SE109 5O INT**
LED 5,5W, 170mA 600 lm CRI≥85, 2700K **SE109 6O INT**

OPTIONAL *accessorio* bulb not provided - lampadina non inclusa **700L** pag.136 **SE109 2O INT**
power supply equipped - alimentatore incluso **SE109 5O INT**
power supply equipped - alimentatore incluso **SE109 6O INT**

PACKAGING *imballo* 21x21x20 cm

NET WEIGHT *peso netto* 1,5 KG **GROSS WEIGHT** *peso lordo* 1,7 KG



NILO floor lamp – piantana

Matteo Ugolini design

HP211 OV INT INDOOR

2021

€ 2.570,00 vat not incl**A – COMPONENTS** *componenti*

NILO HP211 GN INT pag. 79

2x NILO HP211 HN INT pag. 79

2x NILO HP211 LN INT pag. 79

NILO AC211 ON INT pag. 78

ELECTRICAL CABLE *cavo elettrico*

black 4 meters – 4 metri nero

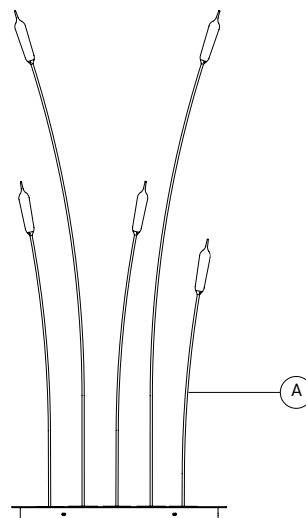
ELECTRICAL SYSTEM *dispositivo elettrico*

5x (3,2W, 410 lm, 350 mA, CRI≥90)

OPTIONAL *accessorio*16W* power supply equipped – *alimentatore incluso*

*(foot dimmable switch – pedaliera dimmerabile)

IP20

**NILO** floor lamp – piantana

Matteo Ugolini design

HP211 RN INT INDOOR

2021

€ 2.290,00 vat not incl**A – COMPONENTS** *componenti*

NILO HP211 GN INT pag. 79

2x NILO HP211 HN INT pag. 79

2x NILO HP211 LN INT pag. 79

NILO AC211 RN INT pag. 78

ELECTRICAL CABLE *cavo elettrico*

black 4 meters – 4 metri nero

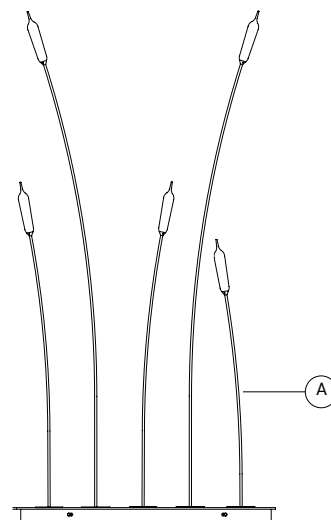
ELECTRICAL SYSTEM *dispositivo elettrico*

5x (3,2W, 410 lm, 350 mA, CRI≥90)

OPTIONAL *accessorio*16W* power supply equipped – *alimentatore incluso*

*(foot dimmable switch – pedaliera dimmerabile)

IP20

**NILO** base – basamento

Matteo Ugolini design

AC211 ON INT INDOOR

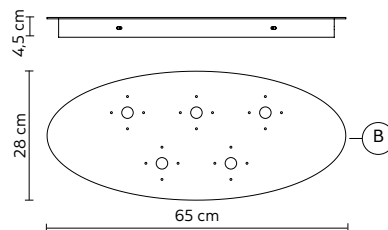
2021

€ 1.060,00 vat not incl**B – BASE** *basamento*matt black metal – *metallo nero opaco***OPTIONAL** *accessorio*16W* power supply equipped – *alimentatore incluso***PACKAGING** *imballo*

12x36x100 cm

NET WEIGHT *peso netto* 6,6 KG**GROSS WEIGHT** *peso lordo* 8,8 KG

*(foot dimmable switch – pedaliera dimmerabile)

**NILO** base – basamento

Matteo Ugolini design

AC211 RN INT INDOOR

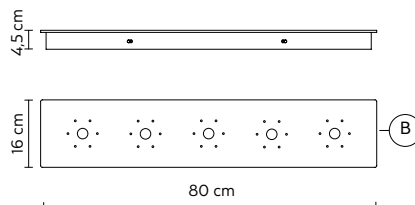
2021

€ 780,00 vat not incl**B – BASE** *basamento*matt black metal – *metallo nero opaco***OPTIONAL** *accessorio*16W* power supply equipped – *alimentatore incluso***PACKAGING** *imballo*

12x36x100 cm

NET WEIGHT *peso netto* 11,2 KG**GROSS WEIGHT** *peso lordo* 14,2 KG

*(foot dimmable switch – pedaliera dimmerabile)

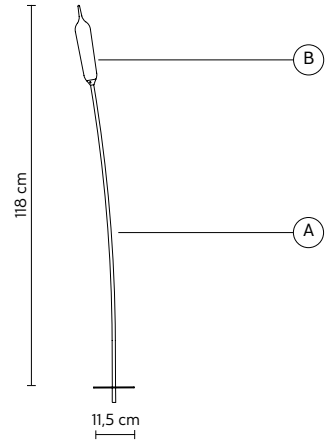


NILO element for composition
Matteo Ugolini design

HP211 GN INT INDOOR
2021

€ **290,00** vat not incl

A - LAMP <i>corpo lampada</i>	matt black aluminum - <i>alluminio nero opaco</i>
B - LAMPSHADE <i>paralume</i>	white resin - <i>resina bianca</i>
ELECTRICAL SYSTEM <i>dispositivo elettrico</i>	LED CC 350mA, 3,2W, 410 lm, CRI≥90, 2700K
OPTIONAL <i>accessorio</i>	base - basamento pag. 78
PACKAGING <i>imballo</i>	15x20x160 cm
NET WEIGHT <i>peso netto</i> 0,8 KG	GROSS WEIGHT <i>peso lordo</i> 2,1 KG



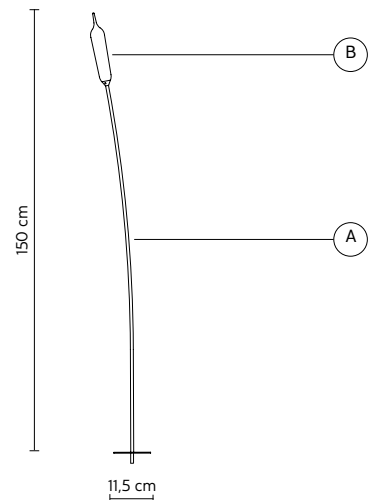
BEWARE: Extra low voltage lamp, power supply necessary
ATTENZIONE: Lampada bassissima tensione, necessario alimentatore

NILO element for composition
Matteo Ugolini design

HP211 HN INT INDOOR
2021

€ **300,00** vat not incl

A - LAMP <i>corpo lampada</i>	matt black aluminum - <i>alluminio nero opaco</i>
B - LAMPSHADE <i>paralume</i>	white resin - <i>resina bianca</i>
ELECTRICAL SYSTEM <i>dispositivo elettrico</i>	LED CC 350mA, 3,2W, 410 lm, CRI≥90, 2700K
OPTIONAL <i>accessorio</i>	base - basamento pag. 78
PACKAGING <i>imballo</i>	15x20x160 cm
NET WEIGHT <i>peso netto</i> 0,9 KG	GROSS WEIGHT <i>peso lordo</i> 2,2 KG



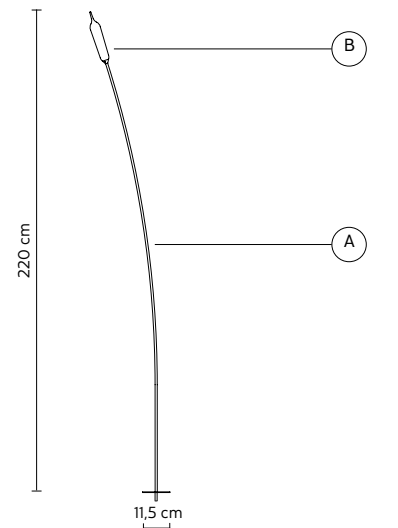
BEWARE: Extra low voltage lamp, power supply necessary
ATTENZIONE: Lampada bassissima tensione, necessario alimentatore

NILO element for composition
Matteo Ugolini design

HP211 LN INT INDOOR
2021

€ **310,00** vat not incl

A - LAMP <i>corpo lampada</i>	matt black aluminum - <i>alluminio nero opaco</i>
B - LAMPSHADE <i>paralume</i>	white resin - <i>resina bianca</i>
ELECTRICAL SYSTEM <i>dispositivo elettrico</i>	LED CC 350mA, 3,2W, 410 lm, CRI≥90, 2700K
OPTIONAL <i>accessorio</i>	base - basamento pag. 78
PACKAGING <i>imballo</i>	15x20x220 cm
NET WEIGHT <i>peso netto</i> 1 KG	GROSS WEIGHT <i>peso lordo</i> 2,4 KG



BEWARE: Extra low voltage lamp, power supply necessary
ATTENZIONE: Lampada bassissima tensione, necessario alimentatore

NOTREDAME wall lamp - applique**PL130 3B INT** INDOOR - **3000K**€ **1.415,00** vat not incl**PL130 5B INT** INDOOR - **2700K**

Luca De Bona & Dario De Meo design

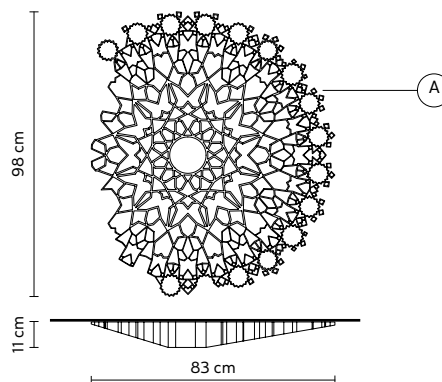
2016/2018

A - LAMP *corpo lampada* white technopolymer - *tecnopolimero bianco***ELECTRICAL SYSTEM** *dispositivo elettrico* LED 24V, 16W*, 1800 lm, CRI≥80**OPTIONAL** *accessorio* power supply equipped - *alimentatore incluso*****PACKAGING** *imballo* 105x93x20 cm**NET WEIGHT** *peso netto* 8,4 KG **GROSS WEIGHT** *peso lordo* 12,2 KG

*(frontal:13W 1520 lm) (backlight:3W,280 lm)

**(cut phase dimmable - dimmerabile taglio di fase)

IP20

**NOTREDAME** wall lamp - applique**PL130 3O INT** INDOOR - **3000K**€ **1.825,00** vat not incl**PL130 5O INT** INDOOR - **2700K**

Luca De Bona & Dario De Meo design

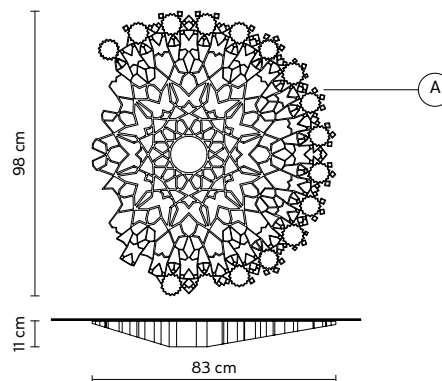
2018

A - LAMP *corpo lampada* gold colored technopolymer - *tecnopolimero color oro***ELECTRICAL SYSTEM** *dispositivo elettrico* LED 24V, 16W*, 1800 lm, CRI≥80**OPTIONAL** *accessorio* power supply equipped - *alimentatore incluso*****PACKAGING** *imballo* 105x93x20 cm**NET WEIGHT** *peso netto* 8,4 KG **GROSS WEIGHT** *peso lordo* 12,2 KG

*(frontal:13W 1520 lm) (backlight:3W,280 lm)

**(cut phase dimmable - dimmerabile taglio di fase)

IP20

**NOTREDAME** wall lamp - applique**PL130 4B INT** INDOOR - **3000K**€ **1.160,00** vat not incl**PL130 6B INT** INDOOR - **2700K**

Luca De Bona & Dario De Meo design

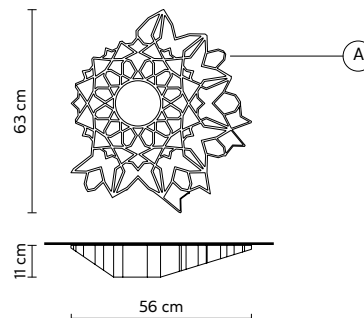
2016/2018

A - LAMP *corpo lampada* white technopolymer - *tecnopolimero bianco***ELECTRICAL SYSTEM** *dispositivo elettrico* LED 24V, 16W*, 1800 lm, CRI≥80**OPTIONAL** *accessorio* power supply equipped - *alimentatore incluso*****PACKAGING** *imballo* 67x73x19 cm**NET WEIGHT** *peso netto* 4,8 KG **GROSS WEIGHT** *peso lordo* 6,8 KG

*(frontal:13W 1520 lm) (backlight:3W,280 lm)

**(cut phase dimmable - dimmerabile taglio di fase)

IP20



NOTREDAME wall lamp - applique**PL130 40 INT** INDOOR - **3000K****€ 1.355,00** vat not incl**PL130 60 INT** INDOOR - **2700K**

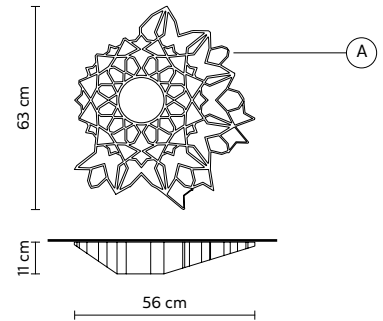
Luca De Bona & Dario De Meo design

2018

A - LAMP *corpo lampada* gold colored technopolymer - *tecnopolimero color oro***ELECTRICAL SYSTEM** *dispositivo elettrico* LED 24V, 16W*, 1800 lm, CRI≥80**OPTIONAL** *accessorio* power supply equipped - *alimentatore incluso*****PACKAGING** *imballo* 67x73x19 cm**NET WEIGHT** *peso netto* 4,8 KG **GROSS WEIGHT** *peso lordo* 6,8 KG

*(frontal:13W 1520 lm) (backlight:3W,280 lm)

**(cut phase dimmable - dimmerabile taglio di fase)

**NOTREDAME** pendant - sospensione**SE130 3B INT** INDOOR - **3000K****€ 1.535,00** vat not incl**SE130 5B INT** INDOOR - **2700K**

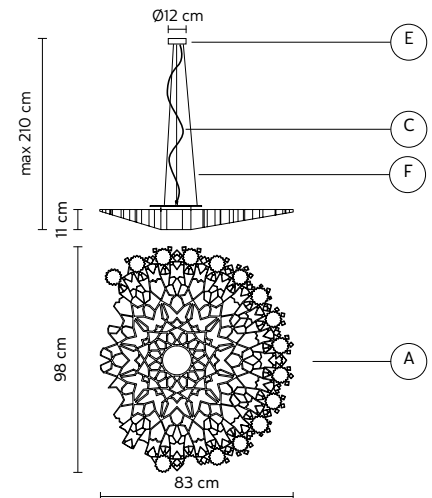
Luca De Bona & Dario De Meo design

2016/2018

A - LAMP *corpo lampada* white technopolymer - *tecnopolimero bianco***E - CEILING CUP** *rosone* matt white metal - *metallo bianco opaco***C - ELECTRICAL CABLE** *cavo elettrico* transparent 2 meters - *2 metri trasparente***F - SUSPENSION CABLE** *fune di sospensione* steel 2 meters - *2 metri acciaio***ELECTRICAL SYSTEM** *dispositivo elettrico* LED 24V, 16W*, 1800 lm, CRI≥80**OPTIONAL** *accessorio* power supply equipped - *alimentatore incluso*****PACKAGING** *imballo* A (105x93x19) + B (21x21x20) cm**NET WEIGHT** *peso netto* 9 KG **GROSS WEIGHT** *peso lordo* 13 KG

*(frontal:13W 1520 lm) (backlight:3W,280 lm)

**(cut phase dimmable - dimmerabile taglio di fase)

**NOTREDAME** pendant - sospensione**SE130 3O INT** INDOOR - **3000K****€ 2.005,00** vat not incl**SE130 5O INT** INDOOR - **2700K**

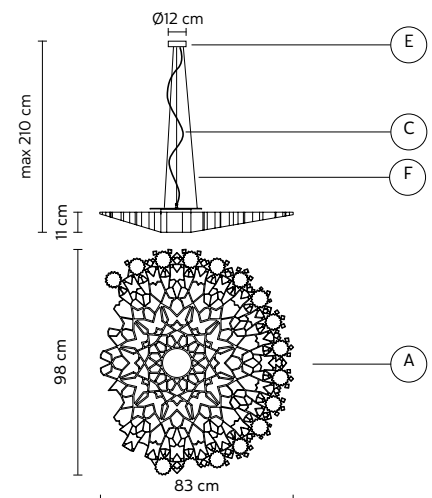
Luca De Bona & Dario De Meo design

2016/2018

A - LAMP *corpo lampada* gold colored technopolymer - *tecnopolimero color oro***E - CEILING CUP** *rosone* gold colored metal - *metallo color oro***C - ELECTRICAL CABLE** *cavo elettrico* transparent 2 meters - *2 metri trasparente***F - SUSPENSION CABLE** *fune di sospensione* steel 2 meters - *2 metri acciaio***ELECTRICAL SYSTEM** *dispositivo elettrico* LED 24V, 16W*, 1800 lm, CRI≥80**OPTIONAL** *accessorio* power supply equipped - *alimentatore incluso*****PACKAGING** *imballo* A (105x93x19) + B (21x21x20) cm**NET WEIGHT** *peso netto* 9 KG **GROSS WEIGHT** *peso lordo* 13 KG

*(frontal:13W 1520 lm) (backlight:3W,280 lm)

**(cut phase dimmable - dimmerabile taglio di fase)



NOTREDAME pendant - sospensione**SE130 4B INT** INDOOR - 3000K€ 1.335,00 vat not incl**SE130 6B INT** INDOOR - 2700K

Luca De Bona & Dario De Meo design

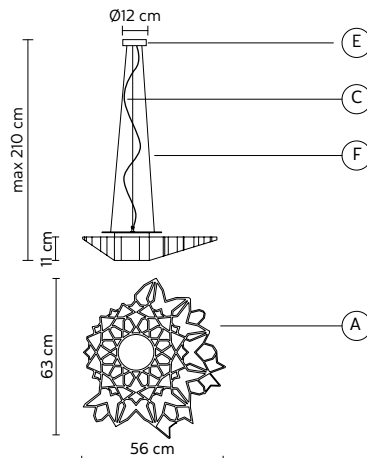
2016/2018

A - LAMP *corpo lampada* white technopolymer - *tecnopolimero bianco***E - CEILING CUP** *rosone* matt white metal - *metallo bianco opaco***C - ELECTRICAL CABLE** *cavo elettrico* transparent 2 meters - *2 metri trasparente***F - SUSPENSION CABLE** *fune di sospensione* steel 2 meters - *2 metri acciaio***ELECTRICAL SYSTEM** *dispositivo elettrico* LED 24V, 16W*, 1800 lm, CRI≥80**OPTIONAL** *accessorio* power supply equipped - *alimentatore incluso*****PACKAGING** *imballo* A (67x73x19) + B (21x21x20) cm**NET WEIGHT** *peso netto* 5,5 KG **GROSS WEIGHT** *peso lordo* 7,5 KG

*(frontal:13W 1520 lm) (backlight:3W,280 lm)

**(cut phase dimmable - dimmerabile taglio di fase)

IP20

**NOTREDAME** pendant - sospensione**SE130 4O INT** INDOOR - 3000K€ 1.570,00 vat not incl**SE130 6O INT** INDOOR - 2700K

Luca De Bona & Dario De Meo design

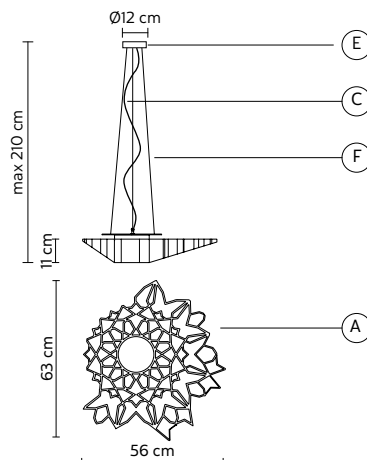
2018

A - LAMP *corpo lampada* gold colored technopolymer - *tecnopolimero color oro***E - CEILING CUP** *rosone* gold colored metal - *metallo color oro***C - ELECTRICAL CABLE** *cavo elettrico* transparent 2 meters - *2 metri trasparente***F - SUSPENSION CABLE** *fune di sospensione* steel 2 meters - *2 metri acciaio***ELECTRICAL SYSTEM** *dispositivo elettrico* LED 24V, 16W*, 1800 lm, CRI≥80**OPTIONAL** *accessorio* power supply equipped - *alimentatore incluso*****PACKAGING** *imballo* A (67x73x19) + B (21x21x20) cm**NET WEIGHT** *peso netto* 5,5 KG **GROSS WEIGHT** *peso lordo* 7,5 KG

*(frontal:13W 1520 lm) (backlight:3W,280 lm)

**(cut phase dimmable - dimmerabile taglio di fase)

IP20

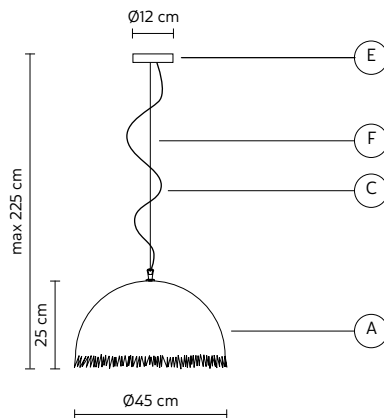
**PLANCTON** pendant - sospensione**SE648/1PB** INDOOR€ 665,00 vat not incl

Matteo Ugolini design

2013

A - STRUCTURE *struttura* white fiberglass - *vetroresina bianco***E - CEILING CUP** *rosone* matt white metal - *metallo bianco opaco***F - SUSPENSION CABLE** *fune di sospensione* steel 2 meters - *acciaio 2 metri***C - ELECTRICAL CABLE** *cavo elettrico* transparent 2 meters - *2 metri trasparente***OPTIONAL** *accessorio* bulb not provided - *lampadina non inclusa***ELECTRICAL SYSTEM** *dispositivo elettrico* E27, 1x max 70W**PACKAGING** *imballo* 50x50x70 cm**NET WEIGHT** *peso netto* 1,1 KG **GROSS WEIGHT** *peso lordo* 3 KG

IP20

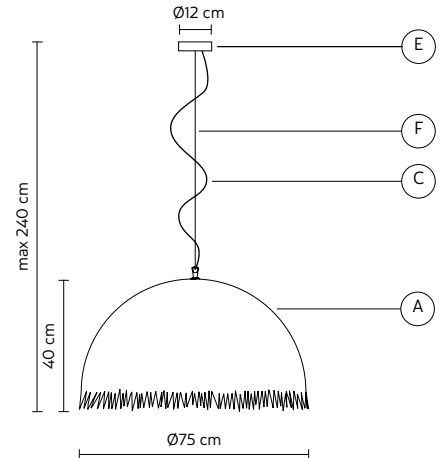


PLANCTON pendant - sospensione
Matteo Ugolini design

SE649/1GB INDOOR
2013

€ 815,00 vat not incl

A - STRUCTURE <i>struttura</i>	white fiberglass - vetroresina bianco
E - CEILING CUP <i>rosone</i>	matt white metal - metallo bianco opaco
F - SUSPENSION CABLE <i>fune di sospensione</i>	steel 2 meters - acciaio 2 metri
C - ELECTRICAL CABLE <i>cavo elettrico</i>	transparent 2 meters - 2 metri trasparente
OPTIONAL <i>accessorio</i>	bulb not provided - lampadina non inclusa
ELECTRICAL SYSTEM <i>dispositivo elettrico</i>	E27, 1x max 105W
PACKAGING <i>imballo</i>	90x90x93 cm
NET WEIGHT <i>peso netto</i> 2 KG	GROSS WEIGHT <i>peso lordo</i> 4 KG



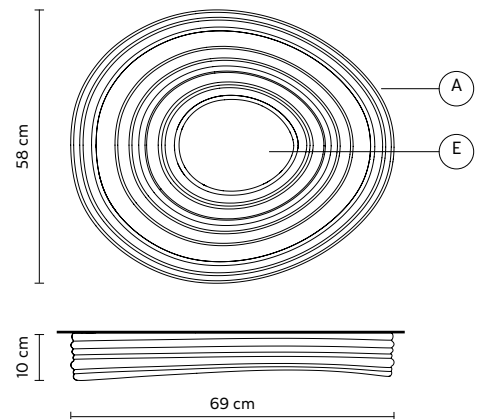
ROMA ceiling lamp - plafoniera
Luca De Bona & Dario De Meo design

PL210 AB INT INDOOR - 3000K
PL210 AC INT INDOOR - 2700K
2020

€ 835,00 vat not incl

A - LAMP <i>corpo lampada</i>	matt white plaster - gesso bianco opaco
E - DIFFUSER <i>diffusore</i>	opal PMMA - PMMA opalino
ELECTRICAL SYSTEM <i>dispositivo elettrico</i>	LED CC, 23,8W*, 2893 lm, 700mA, CRI≥90
OPTIONAL <i>accessorio</i>	power supply equipped - alimentatore incluso**
PACKAGING <i>imballo</i>	74x64x14 cm
NET WEIGHT <i>peso netto</i> 13,8 KG	GROSS WEIGHT <i>peso lordo</i> 16,4 KG

*(push-dimmer)

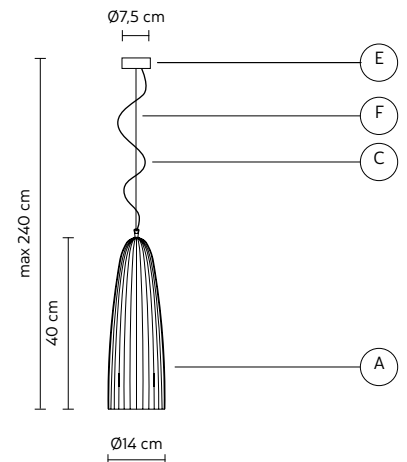


SAHARA pendant - sospensione
Matteo Ugolini design

SE667KB INDOOR
SE667KV INDOOR
2013

€ 395,00 vat not incl

A - LAMPSHADE <i>paralume</i>	glossy white ceramic - ceramica bianca lucida SE667KB glossy green/white ceramic - ceramica verde/bianca lucida SE667KV
E - CEILING CUP <i>rosone</i>	glossy white metal - metallo bianco lucido SE667KB glossy black metal - metallo nero lucido SE667KV
C - ELECTRICAL CABLE <i>cavo elettrico</i>	transparent 2 meters - 2 metri trasparente
F - SUSPENSION CABLE <i>fune di sospensione</i>	steel, 2 meters - 2 metri acciaio
ELECTRICAL SYSTEM <i>dispositivo elettrico</i>	E27, 1x max 70W
OPTIONAL <i>accessorio</i>	bulb not provided - lampadina non inclusa
PACKAGING <i>imballo</i>	28X28X53 cm
NET WEIGHT <i>peso netto</i> 2,1 KG	GROSS WEIGHT <i>peso lordo</i> 3,4 KG



SAHARA pendant - sospensione**SE668KB** INDOOR€ 380,00 vat not incl**SE668KV** INDOOR

Matteo Ugolini design

2013

A - LAMPSHADE *paralume* glossy white ceramic - *ceramica bianca lucida* **SE668KB**
glossy green/white ceramic - *ceramica verde/bianca lucida* **SE668KV**

E - CEILING CUP *rosone* glossy white metal - *metallo bianco lucido* **SE668KB**
glossy black metal - *metallo nero lucido* **SE668KV**

C - ELECTRICAL CABLE *cavo elettrico* transparent 2 meters - *2 metri trasparente*

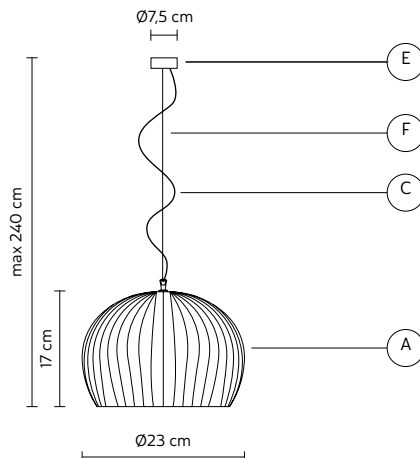
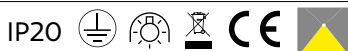
F - SUSPENSION CABLE *fune di sospensione* steel 2 meters - *2 metri acciaio*

ELECTRICAL SYSTEM *dispositivo elettrico* E27, 1x max 70W

OPTIONAL *accessorio* bulb not provided - *lampadina non inclusa*

PACKAGING *imballo* 50X50X50 cm

NET WEIGHT *peso netto* 1,8 KG **GROSS WEIGHT** *peso lordo* 3,6 KG

**SAHARA** pendant - sospensione**SE669KB** INDOOR€ 430,00 vat not incl**SE669KV** INDOOR

Matteo Ugolini design

2013

A - LAMPSHADE *paralume* glossy white ceramic - *ceramica bianca lucida* **SE669KB**
glossy green/white ceramic - *ceramica verde/bianca lucida* **SE669KV**

E - CEILING CUP *rosone* glossy white metal - *metallo bianco lucido* **SE669KB**
glossy black metal - *metallo nero lucido* **SE669KV**

C - ELECTRICAL CABLE *cavo elettrico* transparent 2 meters - *2 metri trasparente*

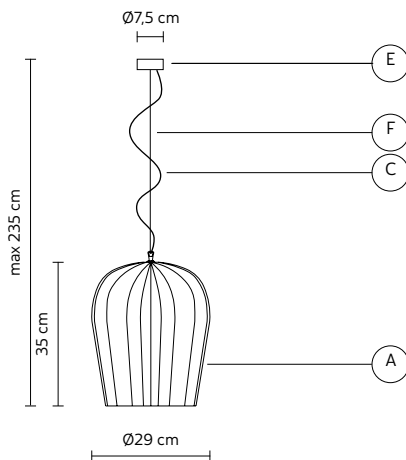
F - SUSPENSION CABLE *fune di sospensione* steel 2 meters - *2 metri acciaio*

ELECTRICAL SYSTEM *dispositivo elettrico* E27, 1x max 70W

OPTIONAL *accessorio* bulb not provided - *lampadina non inclusa*

PACKAGING *imballo* 50X50X50 cm

NET WEIGHT *peso netto* 3,4 KG **GROSS WEIGHT** *peso lordo* 4,8 KG

**SAHARA** pendant - sospensione**SE670KB** INDOOR€ 430,00 vat not incl**SE670KV** INDOOR

Matteo Ugolini design

2013

A - LAMPSHADE *paralume* glossy white ceramic - *ceramica bianca lucida* **SE670KB**
glossy green/white ceramic - *ceramica verde/bianca lucida* **SE670KV**

E - CEILING CUP *rosone* glossy white metal - *metallo bianco lucido* **SE670KB**
glossy black metal - *metallo nero lucido* **SE670KV**

C - ELECTRICAL CABLE *cavo elettrico* transparent 2 meters - *2 metri trasparente*

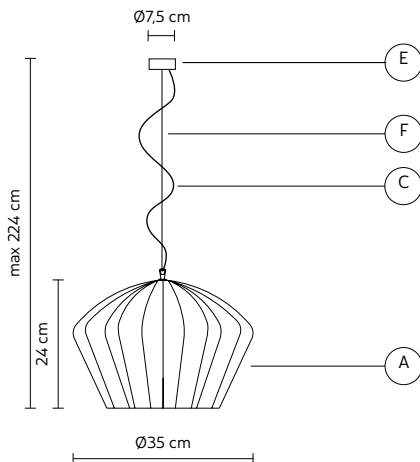
F - SUSPENSION CABLE *fune di sospensione* steel 2 meters - *2 metri acciaio*

ELECTRICAL SYSTEM *dispositivo elettrico* E27, 1x max 70W

OPTIONAL *accessorio* bulb not provided - *lampadina non inclusa*

PACKAGING *imballo* 51X51X40 cm

NET WEIGHT *peso netto* 3,4 KG **GROSS WEIGHT** *peso lordo* 4,8 KG

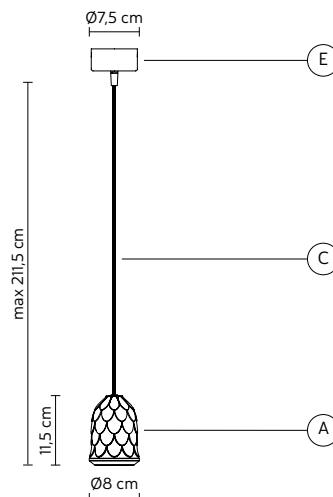


SHERWOOD pendant - sospensione**SE151 AB INT** INDOOR

€ 265,00 vat not incl

Matteo Ugolini design

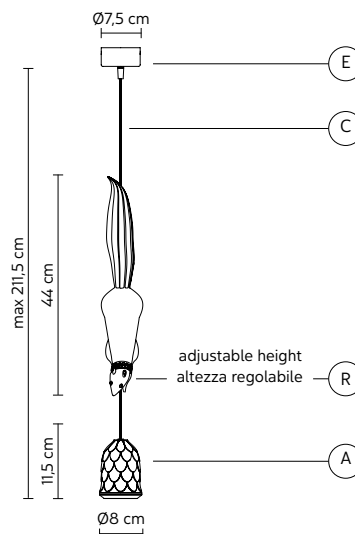
2018

A - LAMP *corpo lampada* matt white ceramic - *ceramica bianca opaca***E - CEILING CUP** *rosone* matt white metal - *metallo bianco opaco***C - ELECTRICAL CABLE** *cavo elettrico* white fabric cable 2 meters - *2 metri bianco telato***OPTIONAL** *accessorio* bulb not provided - *lampadina non inclusa* **700L** pag.136**ELECTRICAL SYSTEM** *dispositivo elettrico* E27, 1x max 53W**PACKAGING** *imballo* 21x21x20 cm**NET WEIGHT** *peso netto* 0,7 KG**GROSS WEIGHT** *peso lordo* 1 KG**SHERWOOD E ROBIN** pendant - sosp.**SE151 BB INT** INDOOR

€ 465,00 vat not incl

Matteo Ugolini design

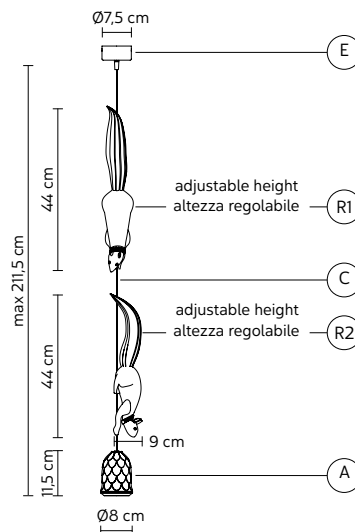
2018

A - LAMP *corpo lampada* matt white ceramic - *ceramica bianca opaca***R - ROBIN** *scoiattolo "robin"* matt white ceramic - *ceramica bianca opaca***E - CEILING CUP** *rosone* matt white metal - *metallo bianco opaco***C - ELECTRICAL CABLE** *cavo elettrico* white fabric cable 2 meters - *2 metri bianco telato***OPTIONAL** *accessorio* bulb not provided - *lampadina non inclusa* **700L** pag.136**ELECTRICAL SYSTEM** *dispositivo elettrico* E27, 1x max 53W**PACKAGING** *imballo* A (21x21x20) + R (28x28x45) cm**NET WEIGHT** *peso netto* 1,4 KG**GROSS WEIGHT** *peso lordo* 2,2 KG**SHERWOOD E ROBIN** pendant - sosp.**SE151 CB INT** INDOOR

€ 665,00 vat not incl

Matteo Ugolini design

2018

A - LAMP *corpo lampada* matt white ceramic - *ceramica bianca opaca***R - ROBIN** *scoiattolo "robin"* matt white ceramic - *ceramica bianca opaca***E - CEILING CUP** *rosone* matt white metal - *metallo bianco opaco***C - ELECTRICAL CABLE** *cavo elettrico* white fabric cable 2 meters - *2 metri bianco telato***OPTIONAL** *accessorio* bulb not provided - *lampadina non inclusa* **700L** pag.136**ELECTRICAL SYSTEM** *dispositivo elettrico* E27, 1x max 53W**PACKAGING** *imballo* A (21x21x20) + R1 (28x28x45) + R2 (28x28x45) cm**NET WEIGHT** *peso netto* 2 KG**GROSS WEIGHT** *peso lordo* 3 KG

SIBILLA pendant - sospensione**SE250 1B INT** INDOOR€ 970,00 vat not incl**SE250 1N INT** INDOOR

Luca De Bona & Dario De Meo design

2021

A - LAMPSHADE *paralume* matt white aluminum - *alluminio bianco opaco* **SE2501BINT**
matt black aluminum - *alluminio nero opaco* **SE2501NINT**

E - CEILING CUP *rosone* matt white metal - *metallo bianco opaco* **SE2501BINT**
matt black metal - *metallo nero opaco* **SE2501NINT**

C - ELECTRICAL CABLE *cavo elettrico* white 2 meters - *2 metri bianco* **SE2501BINT**
black 2 meters - *2 metri nero* **SE2501NINT**

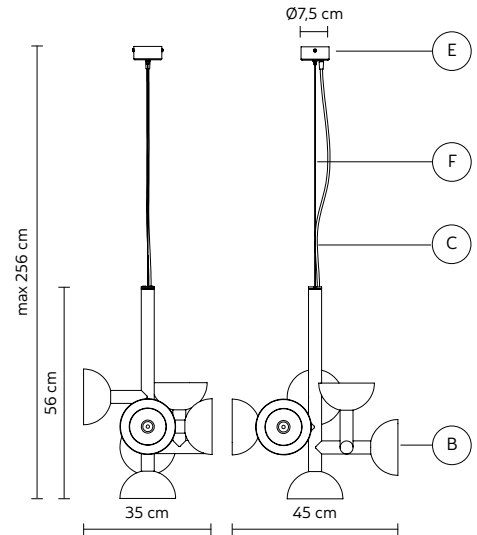
F - SUSPENSION CABLE *fune di sospensione* steel 2 meters - *2 metri acciaio*

ELECTRICAL SYSTEM *dispositivo elettrico* E14, 6 x max 33W

OPTIONAL *accessorio* bulb not provided - *lampadina non inclusa* **700H** pag.137

PACKAGING *imballo* 50x50x50 cm

NET WEIGHT *peso netto* 2,4 KG **GROSS WEIGHT** *peso lordo* 3,6 KG

**SIBILLA** pendant - sospensione**SE250 2B INT** INDOOR€ 1.535,00 vat not incl**SE250 2N INT** INDOOR

Luca De Bona & Dario De Meo design

2021

A - LAMPSHADE *paralume* matt white aluminum - *alluminio bianco opaco* **SE2502BINT**
matt black aluminum - *alluminio nero opaco* **SE2502NINT**

E - CEILING CUP *rosone* matt white metal - *metallo bianco opaco* **SE2502BINT**
matt black metal - *metallo nero opaco* **SE2502NINT**

C - ELECTRICAL CABLE *cavo elettrico* white 2 meters - *2 metri bianco* **SE2502BINT**
black 2 meters - *2 metri nero* **SE2502NINT**

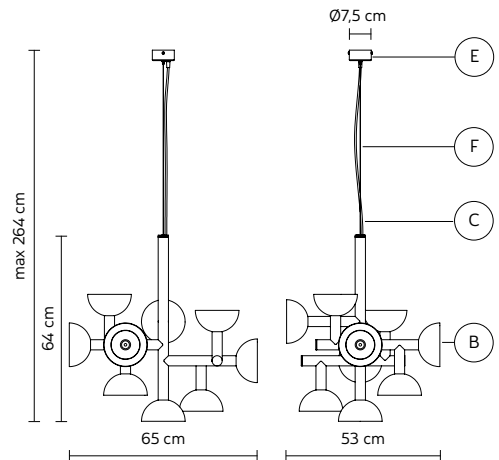
F - SUSPENSION CABLE *fune di sospensione* steel 2 meters - *2 metri acciaio*

ELECTRICAL SYSTEM *dispositivo elettrico* E14, 9 x max 33W

OPTIONAL *accessorio* bulb not provided - *lampadina non inclusa* **700H** pag.137

PACKAGING *imballo* 70x80x50 cm

NET WEIGHT *peso netto* 4,2 KG **GROSS WEIGHT** *peso lordo* 5,9 KG

**SIBILLA** pendant - sospensione**SE250 3B INT** INDOOR€ 2.900,00 vat not incl**SE250 3N INT** INDOOR

Luca De Bona & Dario De Meo design

2021

A - LAMPSHADE *paralume* matt white aluminum - *alluminio bianco opaco* **SE2503BINT**
matt black aluminum - *alluminio nero opaco* **SE2503NINT**

E - CEILING CUP *rosone* matt white metal - *metallo bianco opaco* **SE2503BINT**
matt black metal - *metallo nero opaco* **SE2503NINT**

C - ELECTRICAL CABLE *cavo elettrico* white 2 meters - *2 metri bianco* **SE2503BINT**
black 2 meters - *2 metri nero* **SE2503NINT**

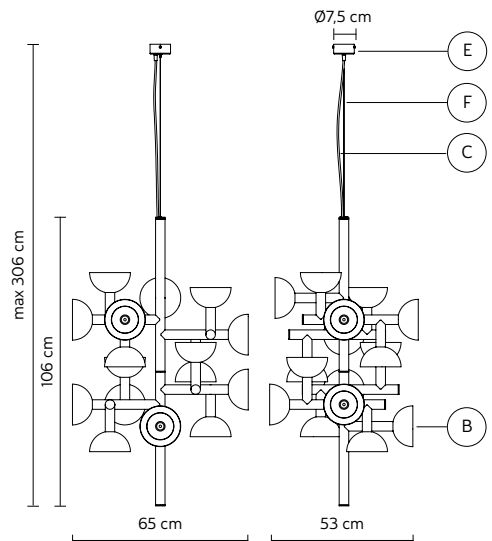
F - SUSPENSION CABLE *fune di sospensione* steel 2 meters - *2 metri acciaio*

ELECTRICAL SYSTEM *dispositivo elettrico* E14, 16 x max 33W

OPTIONAL *accessorio* bulb not provided - *lampadina non inclusa* **700H** pag.137

PACKAGING *imballo* 74x139x62 cm

NET WEIGHT *peso netto* 7,5 KG **GROSS WEIGHT** *peso lordo* 9,5 KG



SNOOB pendant - sospensione**SE609B** INDOOR€ 2.710,00 vat not incl**SE609N** INDOOR

Matteo Ugolini design

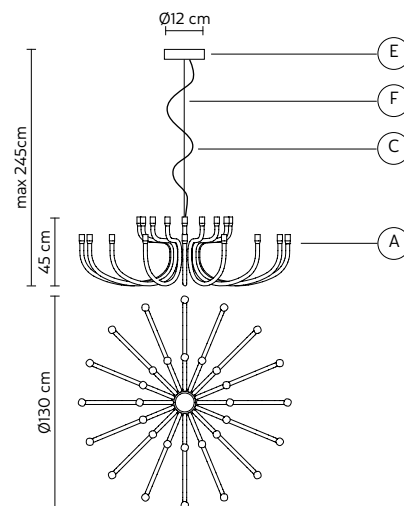
2009

A - LAMPSHADE *paralume*white aluminum - *alluminio bianco* **SE609B**
black aluminum - *alluminio nero* **SE609N****E - CEILING CUP** *rosone*white metal - *metallo bianco* **SE609B**
black metal - *metallo nero* **SE609N****C - ELECTRICAL CABLE** *cavo elettrico*white 2 meters - *2 metri bianco* **SE609B**
black 2 meters - *2 metri nero* **SE609N****F - SUSPENSION CABLE** *fune di sospensione*steel 2 meters - *2 metri acciaio***ELECTRICAL SYSTEM** *dispositivo elettrico*

E14, 32 x max 42W

OPTIONAL *accessorio*bulb not provided - *lampadina non inclusa* **700C** pag.137**PACKAGING** *imballo*

*62x62x50 cm

NET WEIGHT *peso netto* 13 KG**GROSS WEIGHT** *peso lordo* 14,7 KG*supplied disassembled - *fornito smontato***SNOOB** pendant - sospensione**SE610B** INDOOR€ 1.295,00 vat not incl**SE610N** INDOOR

Matteo Ugolini design

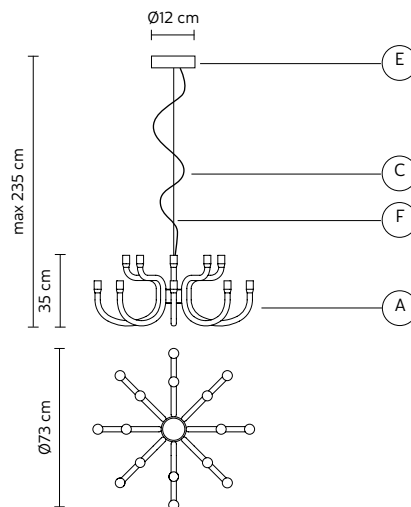
2009

A - LAMPSHADE *paralume*white aluminum - *alluminio bianco* **SE610B**
black aluminum - *alluminio nero* **SE610N****E - CEILING CUP** *rosone*white metal - *metallo bianco* **SE610B**
black metal - *metallo nero* **SE610N****C - ELECTRICAL CABLE** *cavo elettrico*white 2 meters - *2 metri bianco* **SE610B**
black 2 meters - *2 metri nero* **SE610N****F - SUSPENSION CABLE** *fune di sospensione*steel 2 meters - *2 metri acciaio***ELECTRICAL SYSTEM** *dispositivo elettrico*

E14, 16 x max 42W

OPTIONAL *accessorio*bulb not provided - *lampadina non inclusa* **700C** pag.137**PACKAGING** *imballo*

*36x36x55 cm

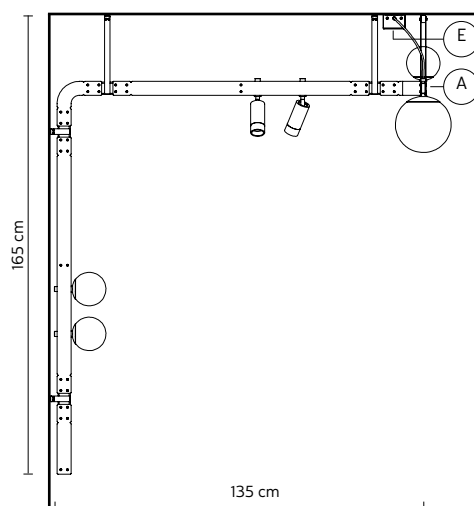
NET WEIGHT *peso netto* 4,8 KG**GROSS WEIGHT** *peso lordo* 5,5 KG*supplied disassembled - *fornito smontato***STANT** ceiling lamp - plafoniera**AP264 GG INT** INDOOR€ 4.140,00 vat not incl**AP264 HH INT** INDOOR

Edmondo Testaguzza design

2021

A - LAMP *lampada*matt black aluminum - *alluminio nero opaco* **AP264 GG INT**
matt white aluminum - *alluminio bianco opaco* **AP264 HH INT****E - CEILING CUP** *rosone*matt black metal - *metallo nero opaco* **AP264 GG INT**
matt white metal - *metallo bianco opaco* **AP264 HH INT****C - ELECTRICAL CABLE** *cavo elettrico*black 2 meters - *2 metri nero***OPTIONAL** *accessorio*60W power supply equipped - *alimentatore incluso***ELECTRICAL SYSTEM** *dispositivo elettrico*3x **80AC2641V** (LED 24V*, 2,4W, 3000K) pag.96
1x **80AC2642V** (LED 24V*, 8,4W, 3000K) pag.96
2x **80AC2643N/3B** (LED 24V*, 8,4W, 3000K) pag.96

*(0-10V dimmable - PWM - resistance)

**(supplied disassembled - *fornito smontato*)

STANT pendant - sospensione

SE264 AA INT INDOOR
SE264 DD INT INDOOR

€ 2.650,00 vat not incl

Edmondo Testaguzza design

2021

A - LAMP *corpo lampada* matt black aluminum - *alluminio nero opaco* **SE264 AA INT**
matt white aluminum - *alluminio bianco opaco* **SE264 DD INT**

E - CEILING CUP *rosone* matt black metal - *metallo nero opaco* **SE264 AA INT**
matt white metal - *metallo bianco opaco* **SE264 DD INT**

C - ELECTRICAL CABLE *cavo elettrico* black 2 meters - *2 metri nero*

F - SUSPENSION CABLE *fune di sospensione* steel 2 meters - *2 metri acciaio*

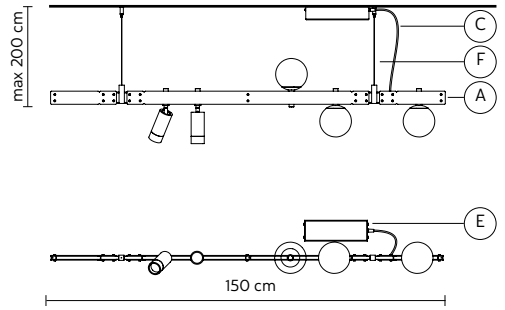
OPTIONAL *accessorio* 60W power supply equipped - *alimentatore incluso*

ELECTRICAL SYSTEM *dispositivo elettrico* 3x **80AC2641V** (LED 24V*, 2,4W, 3000K) pag.96
2x **80AC2643N/3B** (LED 24V*, 8,4W, 3000K) pag.96

*(0-10V dimmable - PWM - resistance)

** (supplied disassembled - *fornito smontato*)

IP20     



STANT pendant - sospensione

SE264 BB INT INDOOR
SE264 EE INT INDOOR

€ 2.358,00 vat not incl

Edmondo Testaguzza design

2021

A - LAMP *corpo lampada* matt black aluminum - *alluminio nero opaco* **SE264 BB INT**
matt white aluminum - *alluminio bianco opaco* **SE264 EE INT**

E - CEILING CUP *rosone* matt black metal - *metallo nero opaco* **SE264 BB INT**
matt white metal - *metallo bianco opaco* **SE264 EE INT**

C - ELECTRICAL CABLE *cavo elettrico* black 2 meters - *2 metri nero*

F - SUSPENSION CABLE *fune di sospensione* steel 2 meters - *2 metri acciaio*

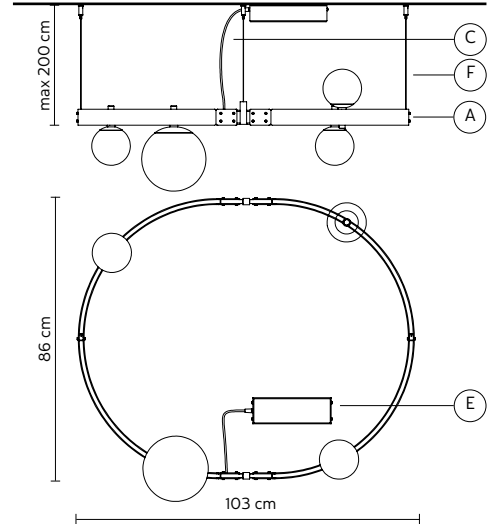
OPTIONAL *accessorio* 60W power supply equipped - *alimentatore incluso*

ELECTRICAL SYSTEM *dispositivo elettrico* 3x **80AC2641V** (LED 24V*, 2,4W, 3000K) pag.96
1x **80AC2642V** (LED 24V*, 8,4W, 3000K) pag.96

*(0-10V dimmable - PWM - resistance)

** (supplied disassembled - *fornito smontato*)

IP20     



STANT pendant - sospensione

SE264 CC INT INDOOR
SE264 FF INT INDOOR

€ 3.509,00 vat not incl

Edmondo Testaguzza design

2021

A - LAMP *corpo lampada* matt black aluminum - *alluminio nero opaco* **SE264 CC INT**
matt white aluminum - *alluminio bianco opaco* **SE264 FF INT**

E - CEILING CUP *rosone* matt black metal - *metallo nero opaco* **SE264 CC INT**
matt white metal - *metallo bianco opaco* **SE264 FF INT**

C - ELECTRICAL CABLE *cavo elettrico* black 2 meters - *2 metri nero*

F - SUSPENSION CABLE *fune di sospensione* steel 2 meters - *2 metri acciaio*

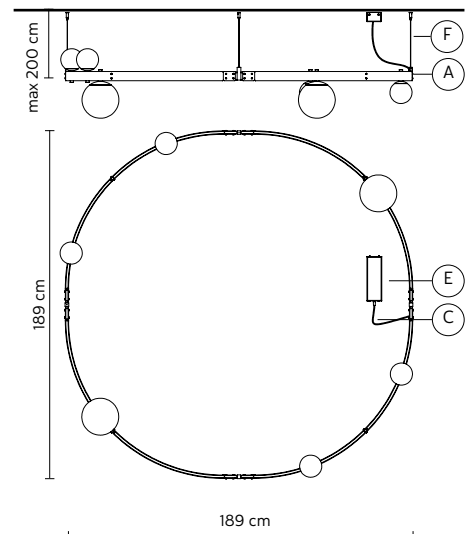
OPTIONAL *accessorio* 60W power supply equipped - *alimentatore incluso*

ELECTRICAL SYSTEM *dispositivo elettrico* 4x **80AC2641V** (LED 24V*, 2,4W, 3000K) pag.96
2x **80AC2642V** (LED 24V*, 8,4W, 3000K) pag.96

*(0-10V dimmable - PWM - resistance)

** (supplied disassembled - *fornito smontato*)

IP20     



STANT ceiling lamp - plafoniera

PL264 AA INT INDOOR

€ 2.704,00 vat not incl

PL264 DD INT INDOOR

Edmondo Testaguzza design

2021

A - LAMP corpo lampada

matt black aluminum - alluminio nero opaco **PL264 AA INT**
matt white aluminum - alluminio bianco opaco **PL264 DD INT**

E - CEILING CUP rosone

matt black metal - metallo nero opaco **PL264 AA INT**
matt white metal - metallo bianco opaco **PL264 DD INT**

C - ELECTRICAL CABLE cavo elettrico

black 2 meters - 2 metri nero

OPTIONAL accessorio

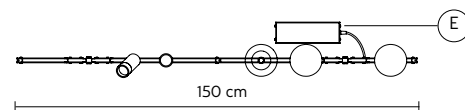
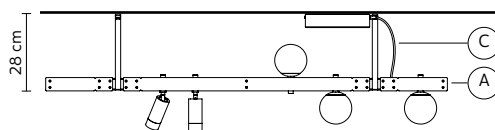
60W power supply equipped - alimentatore incluso

ELECTRICAL SYSTEM dispositivo elettrico

3x **80AC2641V** (LED 24V*, 2,4W, 3000K) pag.96
2x **80AC2643N/3B** (LED 24V*, 8,4W, 3000K) pag.96

*(0-10V dimmable - PWM - resistance)

** (supplied disassembled - fornito smontato)



STANT ceiling lamp - plafoniera

PL264 BB INT INDOOR

€ 2.464,00 vat not incl

PL264 EE INT INDOOR

Edmondo Testaguzza design

2021

A - LAMP corpo lampada

matt black aluminum - alluminio nero opaco **PL264 BB INT**
matt white aluminum - alluminio bianco opaco **PL264 EE INT**

E - CEILING CUP rosone

matt black metal - metallo nero opaco **PL264 BB INT**
matt white metal - metallo bianco opaco **PL264 EE INT**

ELECTRICAL CABLE cavo elettrico

black 2 meters - 2 metri nero

OPTIONAL accessorio

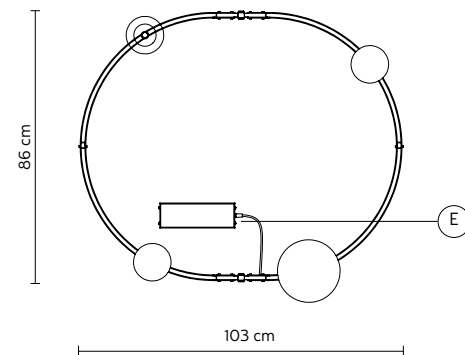
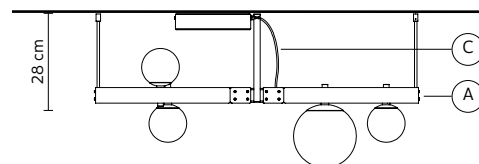
60W power supply equipped - alimentatore incluso

ELECTRICAL SYSTEM dispositivo elettrico

3x **80AC2641V** (LED 24V*, 2,4W, 3000K) pag.96
1x **80AC2642V** (LED 24V*, 8,4W, 3000K) pag.96

*(0-10V dimmable - PWM - resistance)

** (supplied disassembled - fornito smontato)



STANT ceiling lamp - plafoniera

PL264 CC INT INDOOR

€ 3.617,00 vat not incl

PL264 FF INT INDOOR

Edmondo Testaguzza design

2021

A - LAMP corpo lampada

matt black aluminum - alluminio nero opaco **PL264 CC INT**
matt white aluminum - alluminio bianco opaco **PL264 FF INT**

E - CEILING CUP rosone

matt black metal - metallo nero opaco **PL264 CC INT**
matt white metal - metallo bianco opaco **PL264 FF INT**

ELECTRICAL CABLE cavo elettrico

black 2 meters - 2 metri nero

OPTIONAL accessorio

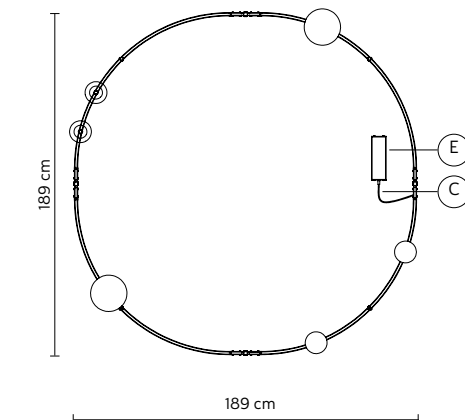
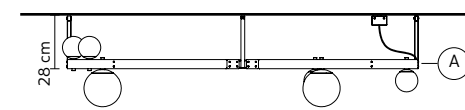
60W power supply equipped - alimentatore incluso

ELECTRICAL SYSTEM dispositivo elettrico

4x **80AC2641V** (LED 24V*, 2,4W, 3000K) pag.96
2x **80AC2642V** (LED 24V*, 8,4W, 3000K) pag.96

*(0-10V dimmable - PWM - resistance)

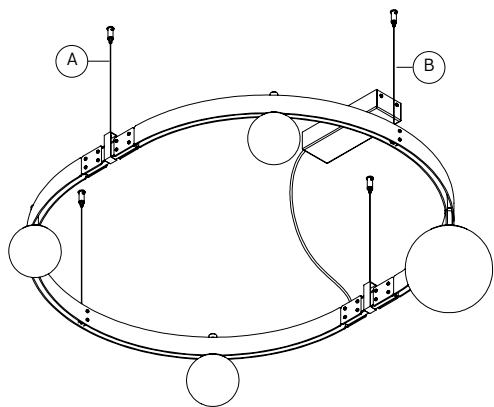
** (supplied disassembled - fornito smontato)



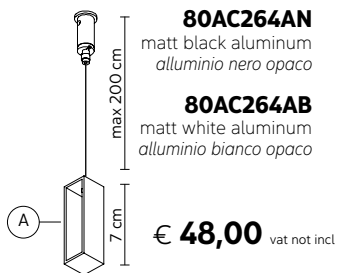
STANT optional pendant version - accessorio sospensione

Edmondo Testaguzza design

2021



joint hook - gancio per giunto



80AC264AN

matt black aluminum
alluminio nero opaco

80AC264AB

matt white aluminum
alluminio bianco opaco

€ 48,00 vat not incl

bar hook - gancio per barra



80AC264BN

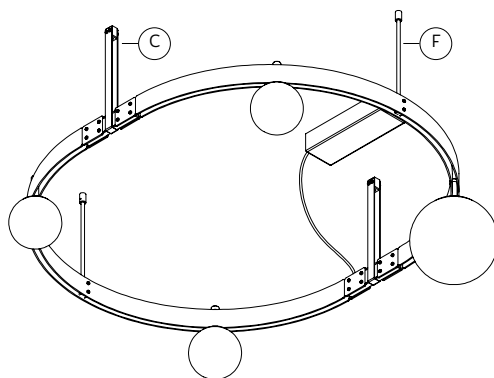
matt black aluminum
alluminio nero opaco

€ 59,00 vat not incl

STANT optional ceiling lamp h28 - accessorio plafoniera h28

Edmondo Testaguzza design

2021



joint hook h28 - gancio per giunto



80AC264CN

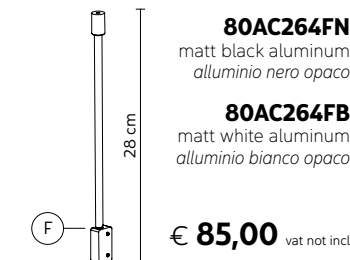
matt black aluminum
alluminio nero opaco

80AC264CB

matt white aluminum
alluminio bianco opaco

€ 75,00 vat not incl

bar hook h28 - gancio per barra



80AC264FN

matt black aluminum
alluminio nero opaco

80AC264FB

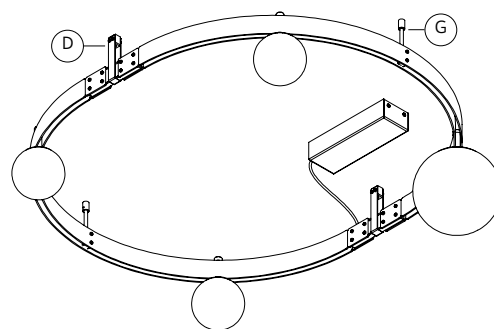
matt white aluminum
alluminio bianco opaco

€ 85,00 vat not incl

STANT optional ceiling lamp h12 - accessorio plafoniera h12

Edmondo Testaguzza design

2021



joint hook h12 - gancio per giunto



80AC264DN

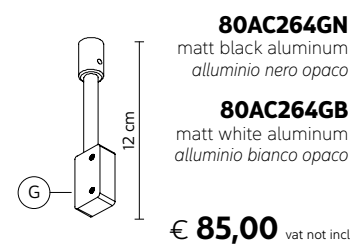
matt black aluminum
alluminio nero opaco

80AC264DB

matt white aluminum
alluminio bianco opaco

€ 75,00 vat not incl

bar hook h12 - gancio per barra



80AC264GN

matt black aluminum
alluminio nero opaco

80AC264GB

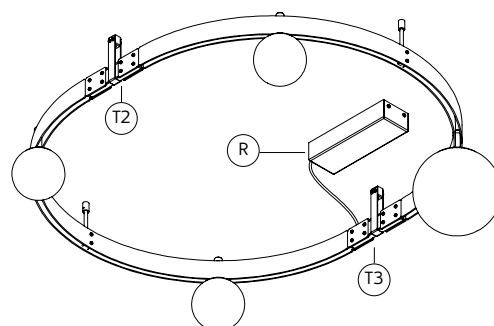
matt white aluminum
alluminio bianco opaco

€ 85,00 vat not incl

STANT optional joint - accessori di giunzione

Edmondo Testaguzza design

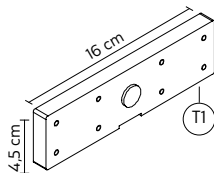
2021



joint not conductor
giunto non conduttore

80AC264T1

matt black PVC
PVC nero opaco

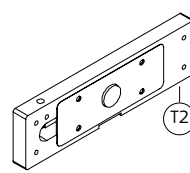


€ 48,00 vat not incl

joint electrical conductor
giunto conduttore elettrico

80AC264T2

matt black PVC
PVC nero opaco

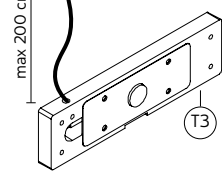


€ 59,00 vat not incl

joint with 60W power supply
giunto con alimentatore 60W

80AC264T3

matt black PVC
PVC nero opaco



€ 160,00 vat not incl

ESSENTIAL - essenziale

STANT optional composition - accessorio composizione

Edmondo Testaguzza design

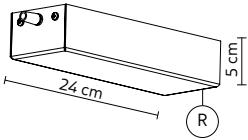
2021

ceiling cup - *rosone*

80RS2641N
matt black metal
alluminio nero opaco

80RS2641B
matt white metal
metallo bianco opaco

€ 120,00 vat not incl

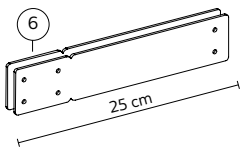


terminal - *terminale*

80AC2646N
matt black aluminum
alluminio nero opaco

80AC2646B
matt white aluminum
alluminio bianco opaco

€ 110,00 vat not incl

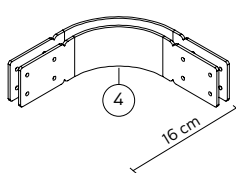


bar R90 - *barra R90*

80AC2644N
matt black aluminum
alluminio nero opaco

80AC2644B
matt white aluminum
alluminio bianco opaco

€ 96,00 vat not incl

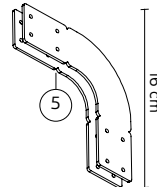


bar L90 - *barra L90*

80AC2645N
matt black aluminum
alluminio nero opaco

80AC2645B
matt white aluminum
alluminio bianco opaco

€ 85,00 vat not incl

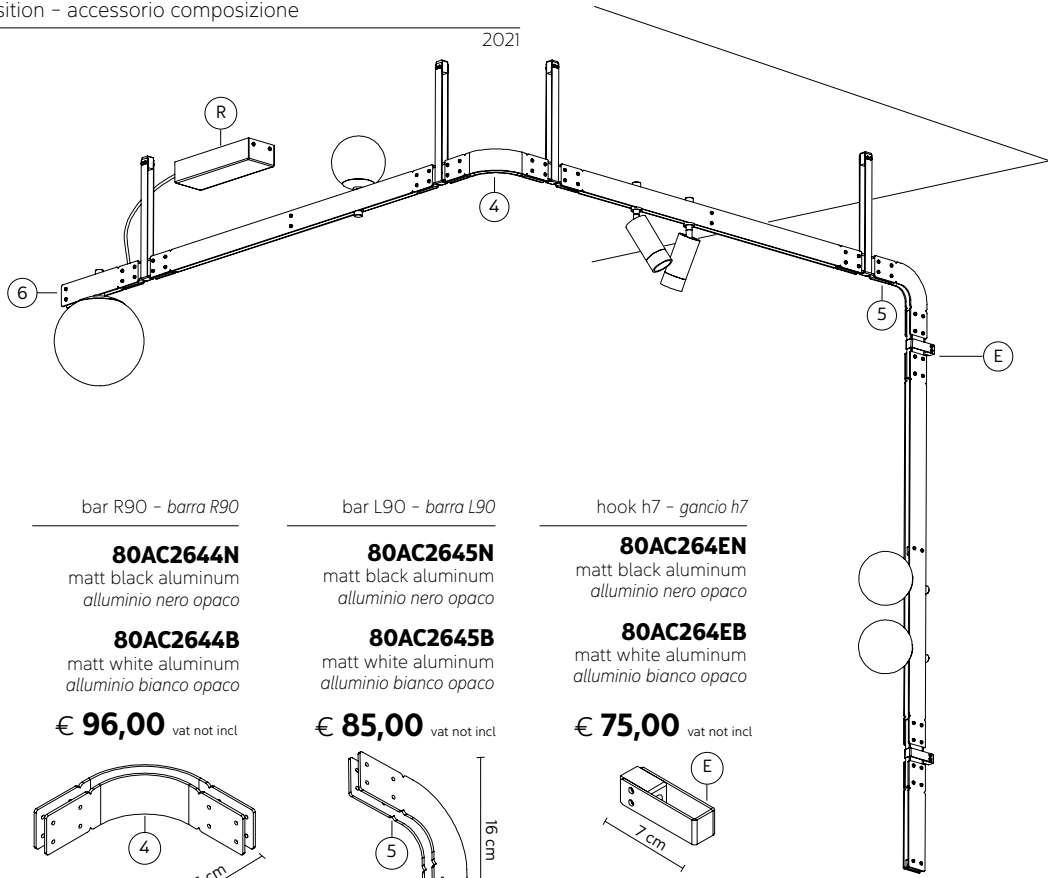
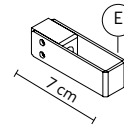


hook h7 - *gancio h7*

80AC264EN
matt black aluminum
alluminio nero opaco

80AC264EB
matt white aluminum
alluminio bianco opaco

€ 75,00 vat not incl



STANT structure - struttura

Edmondo Testaguzza design

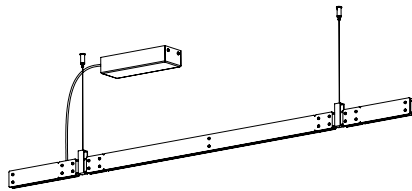
2021

STANT L150 structure - struttura

€ 825,00 vat not incl

SE264 1N INT
matt black aluminum
alluminio nero opaco

SE264 1B INT
matt white aluminum
alluminio bianco opaco

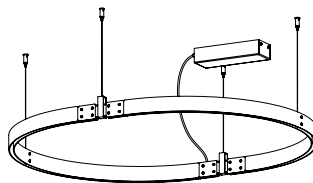


STANT Ø90 structure - struttura

€ 943,00 vat not incl

SE264 2N INT
matt black aluminum
alluminio nero opaco

SE264 2B INT
matt white aluminum
alluminio bianco opaco

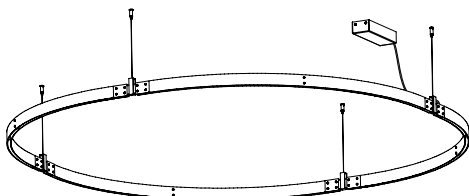


STANT Ø189 structure - struttura

€ 1.369,00 vat not incl

SE264 3N INT
matt black aluminum
alluminio nero opaco

SE264 3B INT
matt white aluminum
alluminio bianco opaco

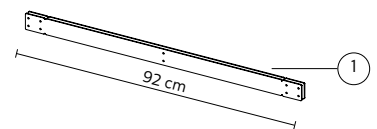


STANT bar L92 - barra L92

€ 170,00 vat not incl

80SE2641N
matt black aluminum
alluminio nero opaco

80SE2641B
matt white aluminum
alluminio bianco opaco

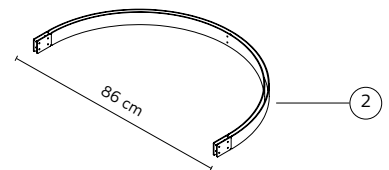


STANT bar 180° - barra 180°

€ 195,00 vat not incl

80SE2642N
matt black aluminum
alluminio nero opaco

80SE2642B
matt white aluminum
alluminio bianco opaco

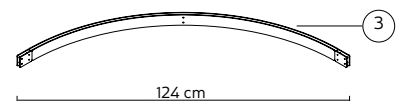


STANT bar 90° - barra 90°

€ 180,00 vat not incl

80SE2643N
matt black aluminum
alluminio nero opaco

80SE2643B
matt white aluminum
alluminio bianco opaco



STANT spotlight - faretto

80AC264 3N INDOOR

€ **395,00** vat not incl

80AC264 3B INDOOR

Edmondo Testaguzza design

2021/ **NEWS 2023**

A - LAMP *corpo lampada*

matt black aluminum - *alluminio nero opaco* **80AC264 3N**
matt white aluminum - *alluminio bianco opaco* **80AC264 3B**

ELECTRICAL SYSTEM *dispositivo elettrico*

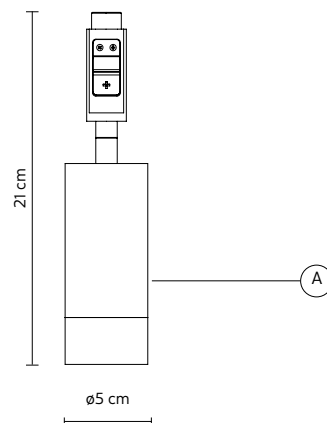
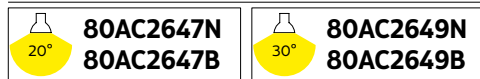
LED 24V, 8,4W, 907 lm, 3000K, CRI≥90

PACKAGING *imballo*

21x21x20 cm

NET WEIGHT *peso netto* 0,6 KG

GROSS WEIGHT *peso lordo* 1,2 KG



STANT spotlight - faretto

80AC264 8N INDOOR

€ **280,00** vat not incl

80AC264 8B INDOOR

Edmondo Testaguzza design

NEWS 2023

A - LAMP *corpo lampada*

matt black aluminum - *alluminio nero opaco* **80AC264 8N**
matt white aluminum - *alluminio bianco opaco* **80AC264 8B**

ELECTRICAL SYSTEM *dispositivo elettrico*

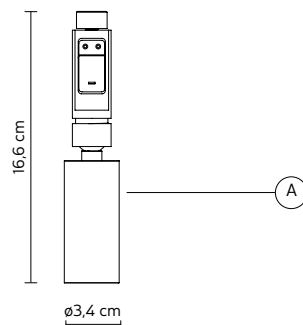
LED 24V, 2,9W, 351 lm, 3000K, CRI≥90

PACKAGING *imballo*

21x21x20 cm

NET WEIGHT *peso netto* 0,3 KG

GROSS WEIGHT *peso lordo* 1,0 KG



STANT optional - accessorio

80AC264 1V INDOOR

€ **345,00** vat not incl

Edmondo Testaguzza design

2021

A - LAMP *corpo lampada*

matt black aluminum - *alluminio nero opaco*

B - LAMPSHADE *paralume*

frosted white glass - *vetro bianco satinato*

ELECTRICAL SYSTEM *dispositivo elettrico*

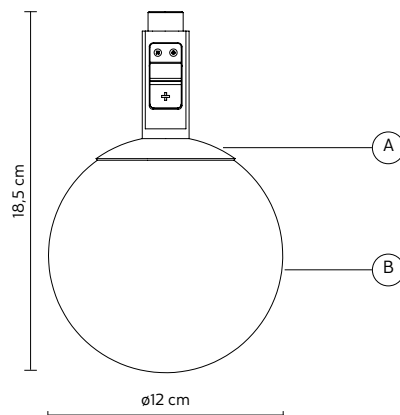
LED 24V, 2,4W, 304 lm, 3000K, CRI≥90

PACKAGING *imballo*

21x21x20 cm

NET WEIGHT *peso netto* 0,6 KG

GROSS WEIGHT *peso lordo* 1,2 KG

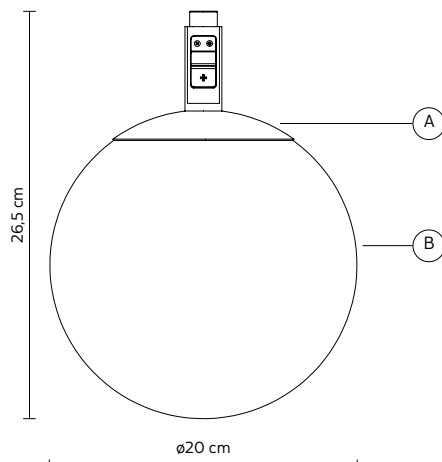


STANT optional - accessorio

Edmondo Testaguzza design

80AC264 2V INDOOR

2021

€ **380,00** vat not incl**A - LAMP** *corpo lampada* matt black aluminum - *alluminio nero opaco***B - LAMPSHADE** *paralume* frosted white glass - *vetro bianco satinato***ELECTRICAL SYSTEM** *dispositivo elettrico* LED 24V, 8,4W, 907 lm, 3000K, CRI≥90**PACKAGING** *imballo* 34x34x37 cm**NET WEIGHT** *peso netto* 1,1 KG **GROSS WEIGHT** *peso lordo* 2,4 KGIP20   **STRALUNATA** pendant - sospensione

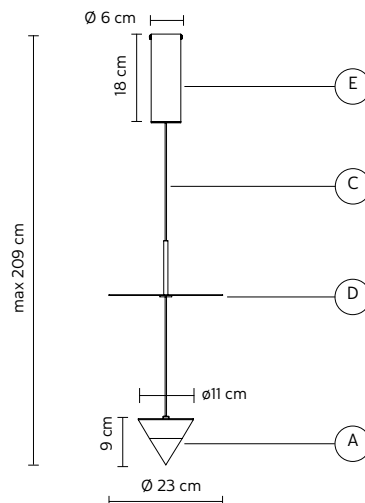
Matteo Ugolini design

SE255 2N INT INDOOR - **3000K****SE255 1N INT** INDOOR - **2700K**

2021

€ **755,00** vat not incl**A - LAMP** *corpo lampada* matt black aluminum - *alluminio nero opaco***E - CEILING CUP** *rosone* matt black metal - *metallo nero opaco***D - REFLECTOR** *disco riflettore* matt white aluminum - *alluminio bianco opaco***C - ELECTRICAL CABLE** *cavo elettrico* black 2 meters - *2 metri nero***OPTIONAL** *accessorio* 30W power supply equipped - *alimentatore incluso***ELECTRICAL SYSTEM** *dispositivo elettrico* LED 24V, 16,8W*, 1821 lm CRI≥90**PACKAGING** *imballo* 31x31x23 cm**NET WEIGHT** *peso netto* 1,6 KG **GROSS WEIGHT** *peso lordo* 2,8 KG

*(cut phase dimmable - dimmerabile taglio di fase)

IP20    **STRALUNATA** pendant - sospensione

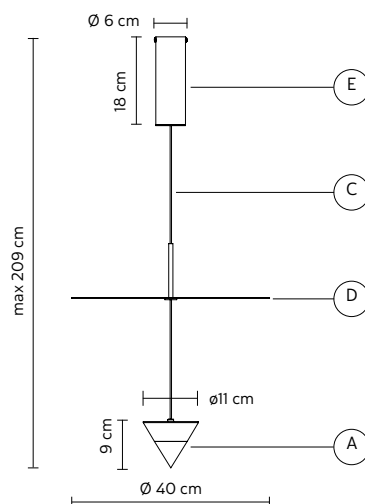
Matteo Ugolini design

SE255 4N INT INDOOR - **3000K****SE255 3N INT** INDOOR - **2700K**

2021

€ **785,00** vat not incl**A - LAMP** *corpo lampada* matt black aluminum - *alluminio nero opaco***E - CEILING CUP** *rosone* matt black metal - *metallo nero opaco***D - REFLECTOR** *disco riflettore* matt white aluminum - *alluminio bianco opaco***C - ELECTRICAL CABLE** *cavo elettrico* black 2 meters - *2 metri nero***OPTIONAL** *accessorio* power supply equipped - *alimentatore incluso***ELECTRICAL SYSTEM** *dispositivo elettrico* LED 24V, 16,8W*, 1821 lm CRI≥90**PACKAGING** *imballo* 42x42x33 cm**NET WEIGHT** *peso netto* 1,8 KG **GROSS WEIGHT** *peso lordo* 3,0 KG

*(cut phase dimmable - dimmerabile taglio di fase)

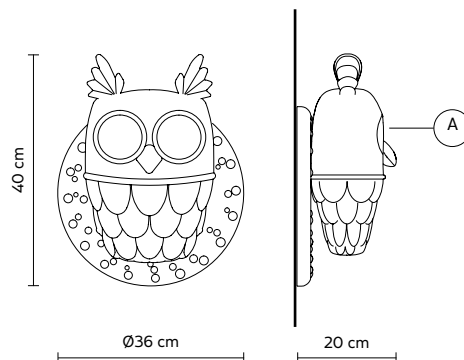
IP20    

TI-VEDO wall lamp - applique

Matteo Ugolini design

AP105 1B INT INDOOR

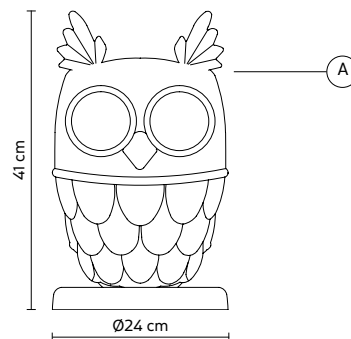
2015

€ 500,00 vat not incl**A - LAMP** *corpo lampada* matt white ceramic - *ceramica bianca opaca***ELECTRICAL SYSTEM** *dispositivo elettrico* E27, 2x max 53W**OPTIONAL** *accessorio* bulb not provided - *lampadina non inclusa* **700B** pag. 136**PACKAGING** *imballo* 45x55x35 cm**NET WEIGHT** *peso netto* 3,8 KG **GROSS WEIGHT** *peso lordo* 8 KG**TI-VEDO** table lamp - lampada da tavolo

Matteo Ugolini design

CT105 1B INT INDOOR

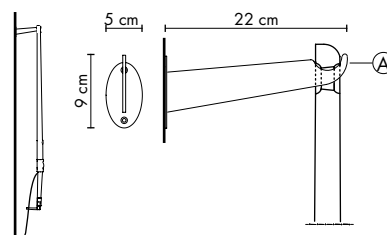
2015

€ 500,00 vat not incl**A - LAMPSHADE** *paralume* matt white ceramic - *ceramica bianca opaca***C - ELECTRICAL CABLE** *cavo elettrico* transparent 2 meters - *2 metri trasparente***OPTIONAL** *accessorio* bulb not provided - *lampadina non inclusa* **700B** pag. 136**ELECTRICAL SYSTEM** *dispositivo elettrico* E27, 2x max 53W**PACKAGING** *imballo* 40x40x50 cm**NET WEIGHT** *peso netto* 3,3 KG **GROSS WEIGHT** *peso lordo* 6,8 KG**BEWARE** artistic appliance. Keep out of the reach of children**ATTENZIONE** prodotto artistico, tenere lontano dalla portata dei bambini**TOBIA** wall hook - *gancio a parete*

Matteo Ugolini design

AC145 4A INT INDOOR

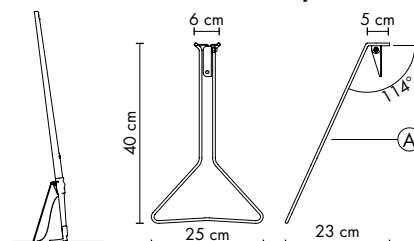
2017

€ 85,00 vat not incl**A - HOOK** *gancio a parete* brushed steel - *acciaio spazzolato***PACKAGING** *imballo* 21x21x20 cm**NET WEIGHT** *peso netto* 0,3 KG **GROSS WEIGHT** *peso lordo* 1,5 KG**TOBIA** pedestal - *pedistallo*

Matteo Ugolini design

AC145 5A INT INDOOR

2017

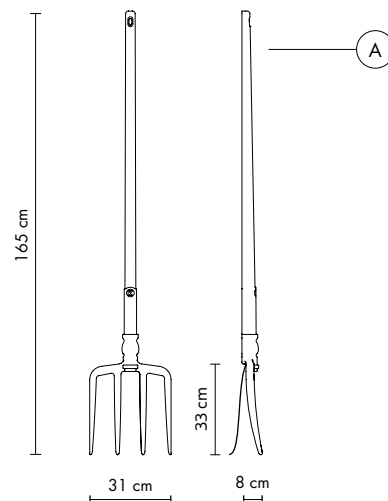
€ 195,00 vat not incl**A - PEDESTAL** *pedistallo* rod steel - *tondino acciaio***PACKAGING** *imballo* 40x55x12 cm**NET WEIGHT** *peso netto* 0,4 KG **GROSS WEIGHT** *peso lordo* 1,5 KG

TOBIA floor lamp - piantana

Matteo Ugolini design

HP145 1F INT INDOOR

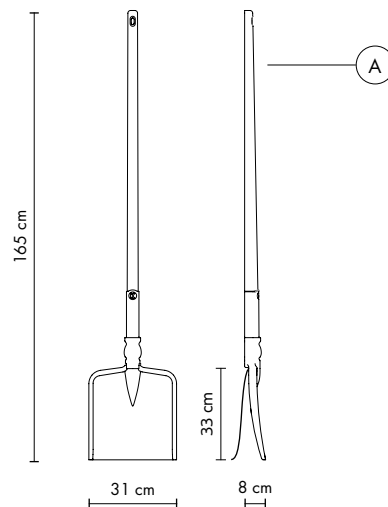
2017

€ 735,00 vat not incl**A - LAMPSHADE** *paralume* matt white technopolymer - *tecnopolimero bianca opaca***C - ELECTRICAL CABLE** *cavo elettrico* black 4 meters - *4 metri nero***OPTIONAL accessorio** wall hook - *gancio a parete* **AC145 4A INT** pag. 101
pedestal - *pedistallo* **AC145 5A INT** pag. 101**ELECTRICAL SYSTEM** *dispositivo elettrico* LED 220V, 13W*, 1430 lm, 3000K CRI≥80**PACKAGING** *imballo* 18x50x190 cm**NET WEIGHT** *peso netto* 3,6 KG**GROSS WEIGHT** *peso lordo* 7,5 KGIP20    **TOBIA** floor lamp - piantana

Matteo Ugolini design

HP145 2P INT INDOOR

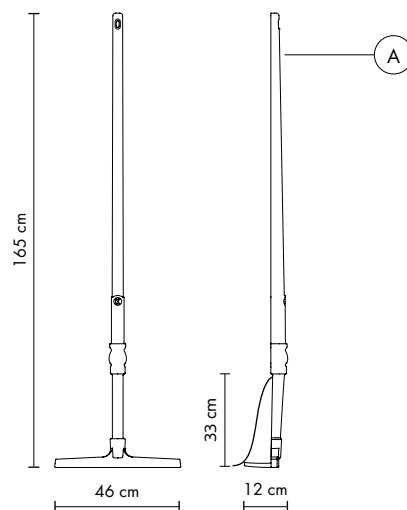
2017

€ 735,00 vat not incl**A - LAMPSHADE** *paralume* matt white technopolymer - *tecnopolimero bianca opaca***C - ELECTRICAL CABLE** *cavo elettrico* black 4 meters - *4 metri nero***OPTIONAL accessorio** wall hook - *gancio a parete* **AC145 4A INT** pag. 101
pedestal - *pedistallo* **AC145 5A INT** pag. 101**ELECTRICAL SYSTEM** *dispositivo elettrico* LED 220V, 13W*, 1430 lm, 3000K CRI≥80**PACKAGING** *imballo* 18x50x190 cm**NET WEIGHT** *peso netto* 4,3 KG**GROSS WEIGHT** *peso lordo* 8,2 KGIP20    **TOBIA** floor lamp - piantana

Matteo Ugolini design

HP145 3R INT INDOOR

2017

€ 735,00 vat not incl**A - LAMPSHADE** *paralume* matt white technopolymer - *tecnopolimero bianca opaca***C - ELECTRICAL CABLE** *cavo elettrico* black 4 meters - *4 metri nero***OPTIONAL accessorio** wall hook - *gancio a parete* **AC145 4A INT** pag. 101
pedestal - *pedistallo* **AC145 5A INT** pag. 101**ELECTRICAL SYSTEM** *dispositivo elettrico* LED 220V, 13W*, 1430 lm, 3000K CRI≥80**PACKAGING** *imballo* 18x50x190 cm**NET WEIGHT** *peso netto* 4 KG**GROSS WEIGHT** *peso lordo* 7,8 KGIP20    

TURN IT wall lamp - applique**AP305 B1 INT** INDOOR
AP305 N1 INT INDOOR
NEWS 2023

€ 890,00 vat not incl

Rocco Este design

A - LAMP corpo lampadamatt white aluminum - alluminio bianco opaco **AP305 B1 INT**
matt black aluminum - alluminio nero opaco **AP305 N1 INT****ELECTRICAL SYSTEM** dispositivo elettrico

24V, 21W 2475Lm, 3000K, CRI≥90

OPTIONAL accessorio

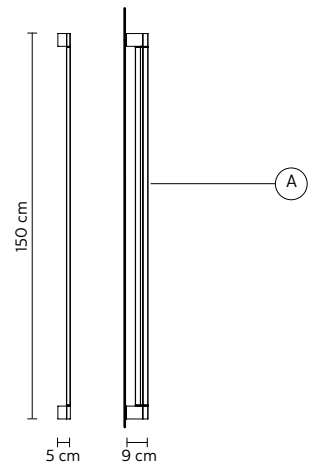
power supply equipped - alimentatore incluso

PACKAGING imballo

160x40x10 cm

NET WEIGHT peso netto 2,8 KG**GROSS WEIGHT** peso lordo 4,6 KG**BEWARE:** remote power supply installation**ATTENZIONE:** installazione alimentatore a remoto

*(cut phase dimmable - dimmerabile taglio di fase)

**TURN IT** wall lamp - applique**AP305 B2 INT** INDOOR
AP305 N2 INT INDOOR
NEWS 2023

€ 960,00 vat not incl

Rocco Este design

A - LAMP corpo lampadamatt white aluminum - alluminio bianco opaco **AP305 B2 INT**
matt black aluminum - alluminio nero opaco **AP305 N2 INT****ELECTRICAL SYSTEM** dispositivo elettrico

24V, 28W 3300Lm, 3000K, CRI≥90

OPTIONAL accessorio

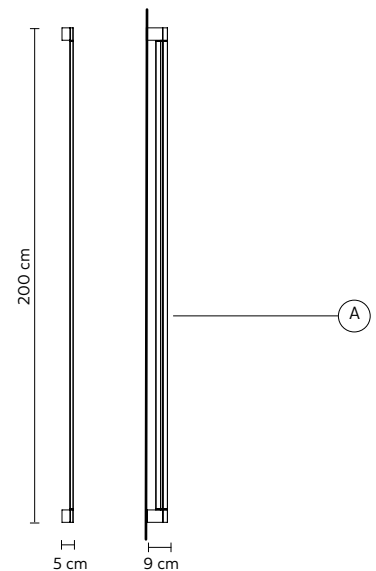
power supply equipped - alimentatore incluso

PACKAGING imballo

220x40x10 cm

NET WEIGHT peso netto 3,8 KG**GROSS WEIGHT** peso lordo 5,6 KG**BEWARE:** remote power supply installation**ATTENZIONE:** installazione alimentatore a remoto

*(cut phase dimmable - dimmerabile taglio di fase)

**TURN IT** wall lamp - applique**AP305 B3 INT** INDOOR
AP305 N3 INT INDOOR
NEWS 2023

€ 1.200,00 vat not incl

Rocco Este design

A - LAMP corpo lampadamatt white aluminum - alluminio bianco opaco **AP305 B3 INT**
matt black aluminum - alluminio nero opaco **AP305 N3 INT****F - SUSPENSION CABLE** fune di sospensione

steel 2 meters - 2 metri acciaio

ELECTRICAL SYSTEM dispositivo elettrico

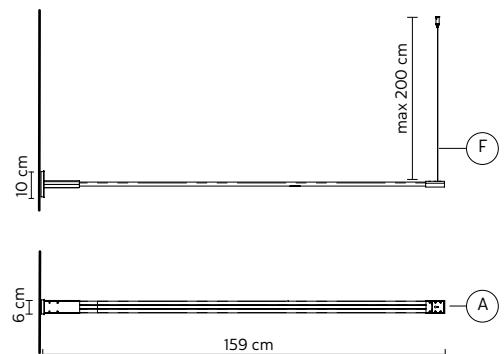
24V, 21W 2475Lm, 3000K, CRI≥90

OPTIONAL accessoriopower supply 30W+30W equipped - alimentatore incluso
spotlight - faretto pag.97**PACKAGING** imballo

160x40x10 cm

NET WEIGHT peso netto 2,8 KG**GROSS WEIGHT** peso lordo 4,6 KG**BEWARE:** remote power supply installation**ATTENZIONE:** installazione alimentatore a remoto

*(cut phase dimmable - dimmerabile taglio di fase)



TURN IT pendant - sospensione**SE305 B1 INT** INDOOR€ 1.130,00 vat not incl**SE305 N1 INT** INDOOR

Rocco Este design

NEWS 2023**A - LAMP** *corpo lampada*matt white aluminum - *alluminio bianco opaco* **SE305 B1 INT**matt black aluminum - *alluminio nero opaco* **SE305 N1 INT****E - CEILING CUP** *rosone*matt white metal - *metallo bianco opaco* **SE305 B1 INT**matt black metal - *metallo nero opaco* **SE305 N1 INT****C - ELECTRICAL CABLE** *cavo elettrico*black 2 meters - *2 metri nero***F - SUSPENSION CABLE** *fune di sospensione*steel 2 meters - *2 metri acciaio***ELECTRICAL SYSTEM** *dispositivo elettrico*

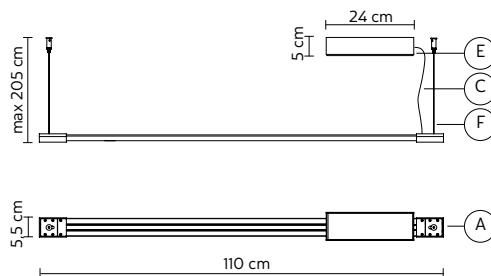
24V, 14W 1650Lm, 3000K, CRI≥90

OPTIONAL *accessorio*power supply 30W+30W equipped - *alimentatore incluso*spotlight - *faretto pag.97***PACKAGING** *imballo*

160x40x10 cm

NET WEIGHT *peso netto* 1,5 KG**GROSS WEIGHT** *peso lordo* 3,0 KG*(cut phase dimmable - *dimmerabile taglio di fase*)

IP20

**TURN IT** pendant - sospensione**SE305 B2 INT** INDOOR€ 1.200,00 vat not incl**SE305 N2 INT** INDOOR

Rocco Este design

NEWS 2023**A - LAMP** *corpo lampada*matt white aluminum - *alluminio bianco opaco* **SE305 B2 INT**matt black aluminum - *alluminio nero opaco* **SE305 N2 INT****E - CEILING CUP** *rosone*matt white metal - *metallo bianco opaco* **SE305 B2 INT**matt black metal - *metallo nero opaco* **SE305 N2 INT****C - ELECTRICAL CABLE** *cavo elettrico*black 2 meters - *2 metri nero***F - SUSPENSION CABLE** *fune di sospensione*steel 2 meters - *2 metri acciaio***ELECTRICAL SYSTEM** *dispositivo elettrico*

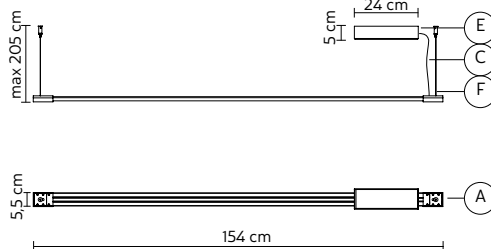
24V, 21W 2475Lm, 3000K, CRI≥90

OPTIONAL *accessorio*power supply 30W+30W equipped - *alimentatore incluso*spotlight - *faretto pag.97***PACKAGING** *imballo*

160x40x10 cm

NET WEIGHT *peso netto* 2,8 KG**GROSS WEIGHT** *peso lordo* 4,6 KG*(cut phase dimmable - *dimmerabile taglio di fase*)

IP20

**TURN IT** spotlight - faretto**AC305NN F36** INDOOR€ 260,00 vat not incl**AC305BB F36** INDOOR

Rocco Este design

NEWS 2023**A - LAMP** *corpo lampada*matt black aluminum - *alluminio nero opaco* **AC305NN**matt white aluminum - *alluminio bianco opaco* **AC305BB****ELECTRICAL SYSTEM** *dispositivo elettrico*

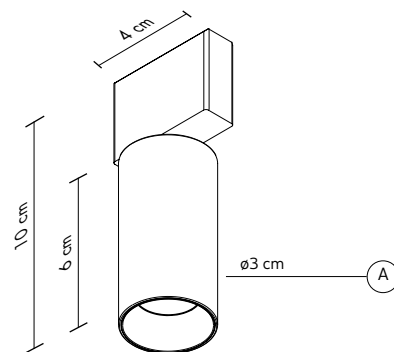
LED 24V, 4,5W, 400 lm, 3000K, CRI≥93

PACKAGING *imballo*

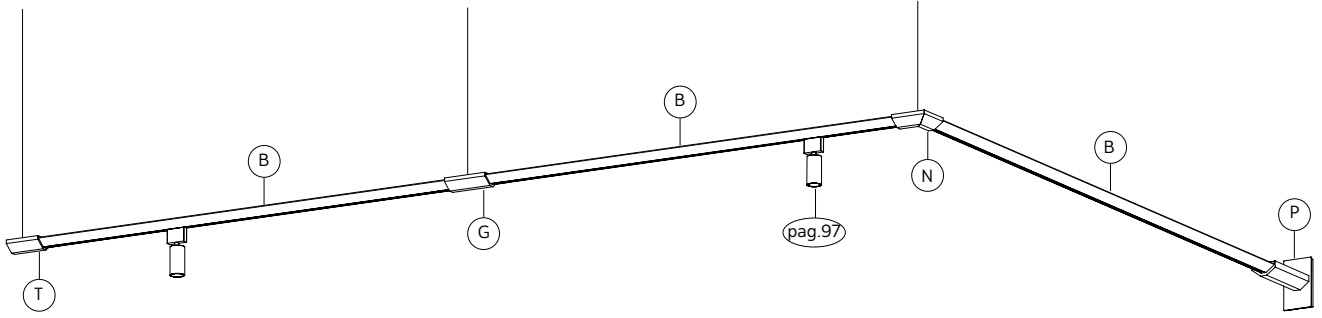
15x15x12 cm

NET WEIGHT *peso netto* 0,3 KG**GROSS WEIGHT** *peso lordo* 0,9 KG**AC305NNF50**
AC305BBF50

IP20



TURN IT optional composition - accessorio composizione



TURN IT optional composition - accessorio composizione

Rocco Este design

NEWS 2023

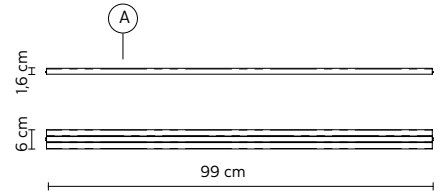
€ 440,00 vat not incl

A - LAMP *corpo lampada* matt white aluminum - *alluminio bianco opaco* **AC305 B1 INT**
matt black aluminum - *alluminio nero opaco* **AC305 N1 INT**

SUSPENSION CABLE *fune di sospensione* steel 2 meters - *acciaio 2 metri*

ELECTRICAL SYSTEM *dispositivo elettrico* 24V, 14W 1650Lm, 3000K, CRI≥90

PACKAGING *imballo* 120x20x10 cm



TURN IT optional composition - accessorio composizione

Rocco Este design

NEWS 2023

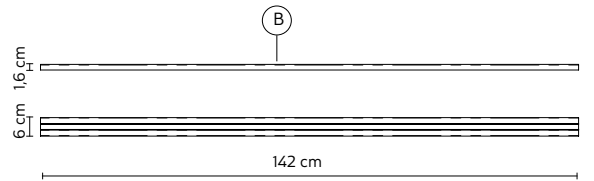
€ 510,00 vat not incl

A - LAMP *corpo lampada* matt white aluminum - *alluminio bianco opaco* **AC305 B2 INT**
matt black aluminum - *alluminio nero opaco* **AC305 N2 INT**

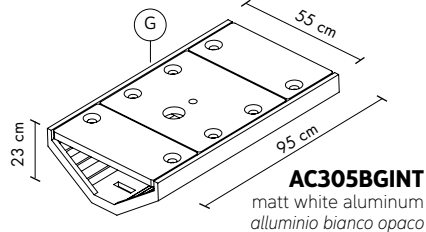
SUSPENSION CABLE *fune di sospensione* steel 2 meters - *acciaio 2 metri*

ELECTRICAL SYSTEM *dispositivo elettrico* 24V, 21W 2475Lm, 3000K, CRI≥90

PACKAGING *imballo* 160x20x10 cm



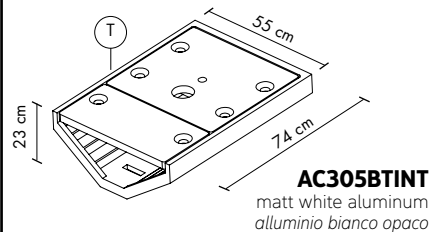
linear joint - *giunto lineare* € 260,00 vat not incl
suspension cable 2 meters included



AC305BGINT
matt white aluminum
alluminio bianco opaco

AC305NGINT
matt black aluminum
alluminio nero opaco

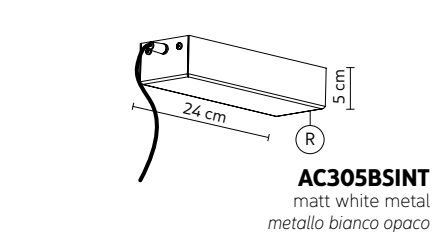
terminal joint - *giunto terminale* € 220,00 vat not incl
suspension cable 2 meters included



AC305BTINT
matt white aluminum
alluminio bianco opaco

AC305NTINT
matt black aluminum
alluminio nero opaco

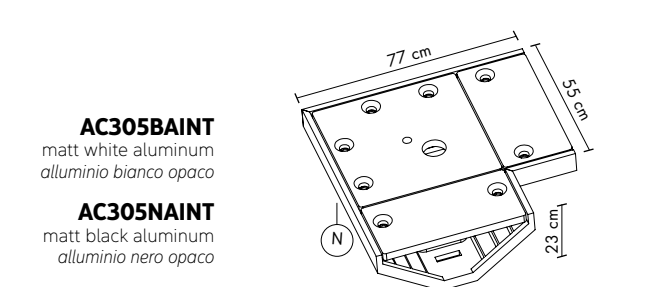
ceiling cup - *rosone* € 290,00 vat not incl
power supply 90W+50W included



AC305BSINT
matt white metal
metallo bianco opaco

AC305NSINT
matt black metal
metallo nero opaco

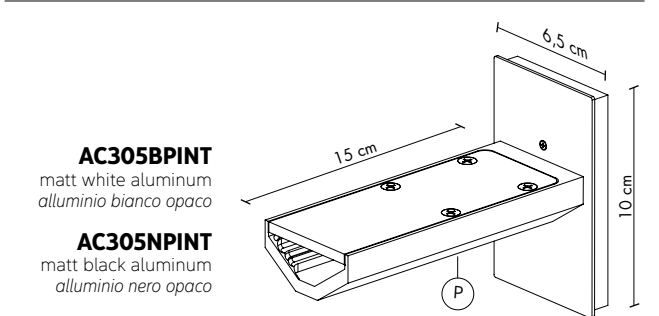
angular joint - *giunto angolare* € 320,00 vat not incl
suspension cable 2 meters included



AC305BAINT
matt white aluminum
alluminio bianco opaco

AC305NAINT
matt black aluminum
alluminio nero opaco

wall joint - *giunto a parete* € 350,00 vat not incl



AC305BPINT
matt white aluminum
alluminio bianco opaco

AC305NPINT
matt black aluminum
alluminio nero opaco

A - LAMP *corpo lampada*

matt white ceramic - *ceramica bianca opaca* **AP152BB INT**
matt grey ceramic - *ceramica grigio opaca* **AP152GR INT**

C - ELECTRICAL CABLE *cavo elettrico*

white fabric cable 30cm-30cm *bianco telato* **AP152BB INT**
black fabric cable 30cm-30cm *nero telato* **AP152GR INT**

ELECTRICAL SYSTEM *dispositivo elettrico*

E27, 3x max 10W LED

OPTIONAL *accessorio*

*bulb not provided - *lampadina non inclusa* **700U** pag. 137

PACKAGING *imballo*

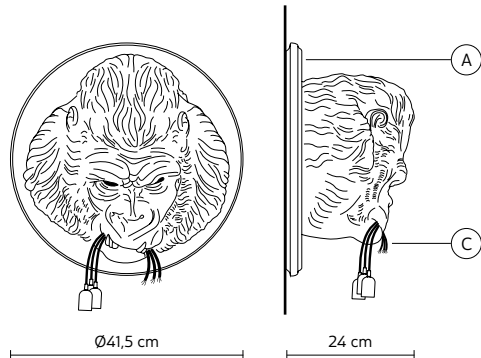
51x51x32 cm

NET WEIGHT *peso netto* 5,2 KG

GROSS WEIGHT *peso lordo* 6,4 KG

*we recommended to use plastic light bulbs

*utilizzare solo lampadine in plastica



Multiple horizontal lines for notes or specifications.

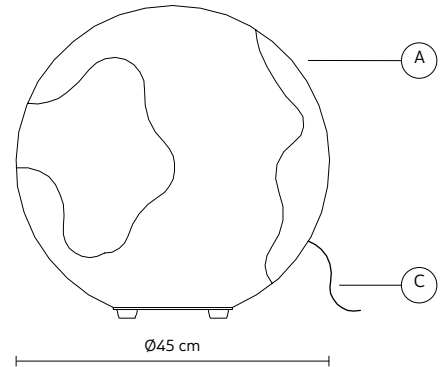
ULULÌ floor lamp - lampada da terra
Matteo Ugolini design

M648PB INDOOR
2013

€ 960,00 vat not incl

A - LAMPSHADE <i>paralume</i>	white fiberglass/lace - vetroresina/pizzo bianco
C - ELECTRICAL CABLE <i>cavo elettrico</i>	black 4 meters - 4 metri nero
OPTIONAL <i>accessorio</i>	bulb equipped - lampadina inclusa
BULB <i>lampadina</i>	E27, 1x max 70W
ELECTRICAL SYSTEM <i>dispositivo elettrico</i>	E27, 1x 10W LED, 2700K, 900 lm
PACKAGING <i>imballo</i>	50x50x70 cm
NET WEIGHT <i>peso netto</i> 3,5 KG	GROSS WEIGHT <i>peso lordo</i> 5,7 KG

IP20     



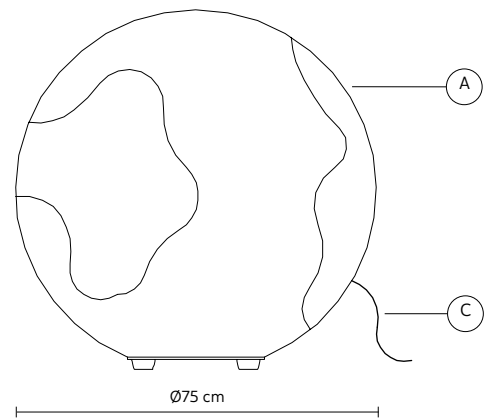
ULULÀ floor lamp - lampada da terra
Matteo Ugolini design

M649GB INDOOR
2013

€ 1.620,00 vat not incl

A - LAMPSHADE <i>paralume</i>	white fiberglass/lace - vetroresina/pizzo bianco
C - ELECTRICAL CABLE <i>cavo elettrico</i>	black 4 meters - 4 metri nero
OPTIONAL <i>accessorio</i>	bulb equipped - lampadina inclusa
ELECTRICAL SYSTEM <i>dispositivo elettrico</i>	E27, 1x max 105W
BULB <i>lampadina</i>	E27, 1x 10W LED, 2700K, 900 lm
PACKAGING <i>imballo</i>	93x93x93 cm
NET WEIGHT <i>peso netto</i> 8 KG	GROSS WEIGHT <i>peso lordo</i> 12 KG

IP20     



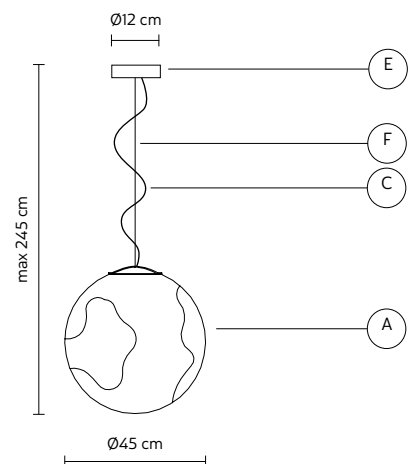
ULULÌ pendant - sospensione
Matteo Ugolini design

SE648PB INDOOR
2013

€ 1.040,00 vat not incl

A - LAMP <i>corpo lampada</i>	white fiberglass/lace - vetroresina/pizzo bianco
E - CEILING CUP <i>rosone</i>	matt white metal - metallo bianco opaco
C - ELECTRICAL CABLE <i>cavo elettrico</i>	transparent 2 meters - 2 metri trasparente
F - SUSPENSION CABLE <i>fune di sospensione</i>	steel, 2 meters - 2 metri acciaio
OPTIONAL <i>accessorio</i>	bulb equipped - lampadina inclusa
ELECTRICAL SYSTEM <i>dispositivo elettrico</i>	E27, 1x max 70W
BULB <i>lampadina</i>	E27, 1x 10W LED, 2700K, 900 lm
PACKAGING <i>imballo</i>	50x50x70 cm
NET WEIGHT <i>peso netto</i> 3,1 KG	GROSS WEIGHT <i>peso lordo</i> 5,3 KG

IP20     

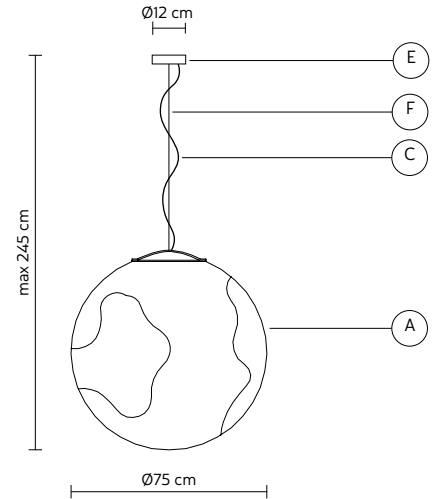
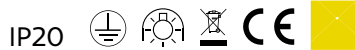


ULULÀ pendant - sospensione
Matteo Ugolini design

SE649GB INDOOR
2013

€ 1.690,00 vat not incl

A - LAMP <i>corpo lampada</i>	white fiberglass/lace - vetroresina/pizzo bianco
E - CEILING CUP <i>rosone</i>	matt white metal - metallo bianco opaco
C - ELECTRICAL CABLE <i>cavo elettrico</i>	transparent 2 meters - 2 metri trasparente
F - SUSPENSION CABLE <i>fune di sospensione</i>	steel 2 meters - 2 metri acciaio
OPTIONAL <i>accessorio</i>	bulb equipped - lampadina inclusa
ELECTRICAL SYSTEM <i>dispositivo elettrico</i>	E27, 1x max 105W
BULB <i>lampadina</i>	E27, 1x 10W LED, 2700K, 900 lm
PACKAGING <i>imballo</i>	93x93x93 cm
NET WEIGHT <i>peso netto</i>	8,5 KG
GROSS WEIGHT <i>peso lordo</i>	15 KG



UMARELL wall lamp - applique

AP199 HT INT INDOOR - 3000K

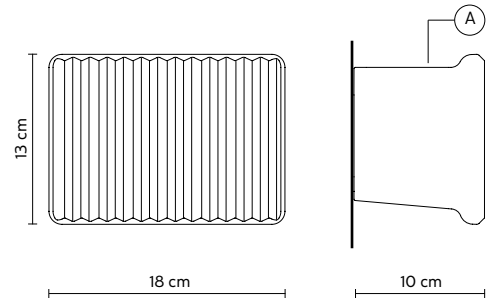
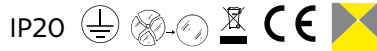
€ 335,00 vat not incl

Giorgio Biscaro design

AP199 HD INT INDOOR - 2700K
2019

A - LAMP <i>corpo lampada</i>	matt white ceramic - ceramica bianca opaca
ELECTRICAL SYSTEM <i>dispositivo elettrico</i>	LED CC 350mA, 9,8W*, 1282 lm, CRI≥80
OPTIONAL <i>accessorio</i>	power supply equipped - alimentatore incluso
PACKAGING <i>imballo</i>	24x24x39 cm
NET WEIGHT <i>peso netto</i>	1,1 KG
GROSS WEIGHT <i>peso lordo</i>	1,6 KG

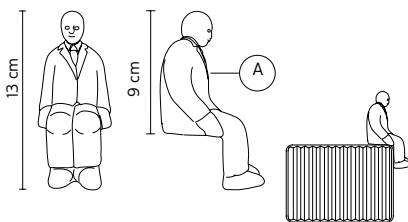
*top - sopra 7,35W, 958lumen
bottom - sotto 2,4W, 324lumen



UMARELL optional - accessori

Giorgio Biscaro design

anno 2019



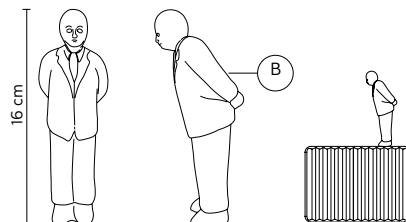
AC199 AC INT € 85,00 vat not incl

A - matt white ceramic - ceramica bianca opaca

PACKAGING *imballo* 21x21x20 cm

NET WEIGHT *peso netto* 0,4 KG

GROSS WEIGHT *peso lordo* 0,8 KG



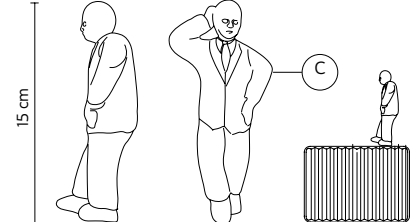
AC199 BC INT € 85,00 vat not incl

B - matt white ceramic - ceramica bianca opaca

PACKAGING *imballo* 21x21x20 cm

NET WEIGHT *peso netto* 0,4 KG

GROSS WEIGHT *peso lordo* 0,8 KG



AC199 CC INT € 85,00 vat not incl

C - matt white ceramic - ceramica bianca opaca

PACKAGING *imballo* 21x21x20 cm

NET WEIGHT *peso netto* 0,4 KG

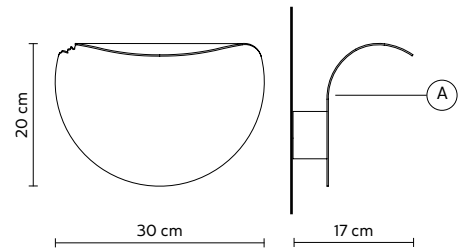
GROSS WEIGHT *peso lordo* 0,8 KG

VA-LENTINA wall lamp - applique

Matteo Ugolini design

AP115 0B INT INDOOR

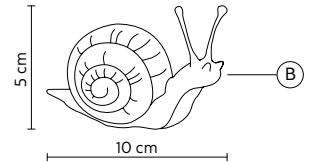
2015

€ 370,00 vat not incl**A - LAMP** *corpo lampada* matt white aluminum - *alluminio bianca opaca***ELECTRICAL SYSTEM** *dispositivo elettrico* LED CC 700mA, 16,8W, 1920 lm, 3000K, CRI≥80**OPTIONAL** *accessorio* power supply equipped - *alimentatore incluso***PACKAGING** *imballo* 32x25x32 cm**NET WEIGHT** *peso netto* 1,1 KG **GROSS WEIGHT** *peso lordo* 1,6 KG**VA-LENTINA** optional

Matteo Ugolini design

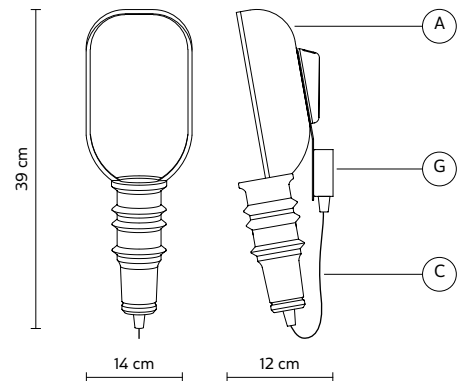
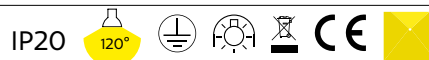
AC115 0B INT INDOOR

2015

€ 38,00 vat not incl**B - SNAIL** *lumaca* matt white ceramic - *ceramica bianca opaca***PACKAGING** *imballo* 10x10x10 cm**NET WEIGHT** *peso netto* 0,5 KG **GROSS WEIGHT** *peso lordo* 1,1 KG**WORK IN PROGRESS** wall lamp - applique **AP125 1B INT** INDOOR

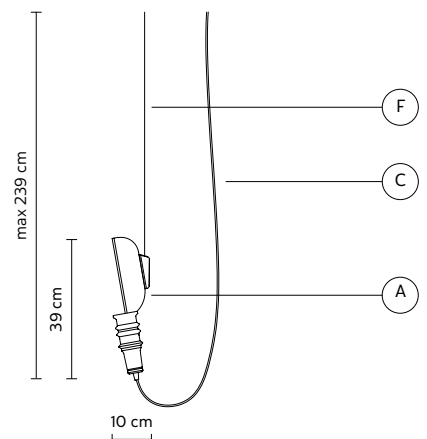
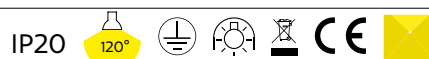
Matteo Ugolini design

2016

€ 440,00 vat not incl**A - LAMP** *corpo lampada* matt white ceramic - *ceramica bianca opaca***G - WALL HOOK** *gancio a parete* matt white metal - *metallo bianco opaco***C - ELECTRICAL CABLE** *cavo elettrico* transparent - *trasparente***ELECTRICAL SYSTEM** *dispositivo elettrico* GU10, 1x max 35W**OPTIONAL** *accessorio* bulb not provided - *lampadina non inclusa* **700N** pag. 137**PACKAGING** *imballo* 28x28x53 cm**NET WEIGHT** *peso netto* 1,1 KG **GROSS WEIGHT** *peso lordo* 2,1 KG**WORK IN PROGRESS** pendant - sosp. **SE125 1B INT** INDOOR

Matteo Ugolini design

2016

€ 430,00 vat not incl**A - LAMP** *corpo lampada* matt white ceramic - *ceramica bianca opaca***F - SUSPENSION CABLE** *fune di sospensione* steel 2 meters - *2 metri acciaio***ELECTRICAL SYSTEM** *dispositivo elettrico* GU10, 1x max 35W**OPTIONAL** *accessorio* bulb not provided - *lampadina non inclusa* **700N** pag. 137
single ceiling cup - *rosone singolo* **SRO01 3B INT** pag.139
multiple ceiling cup - *rosone multiplo* **SRO25 1B INT** pag.139**BULB** *lampadina* GU10, 1x 5W LED, 400 lm, 3000K**PACKAGING** *imballo* 28x28x53 cm**NET WEIGHT** *peso netto* 1,1 KG **GROSS WEIGHT** *peso lordo* 2,1 KG

CLUSTER - composizioni

CLUSTER Ø50 composizione

SE050 NT INT INDOOR

€ 3.020,00 vat not incl

Edmondo Testaguzza & Matteo Ugolini design

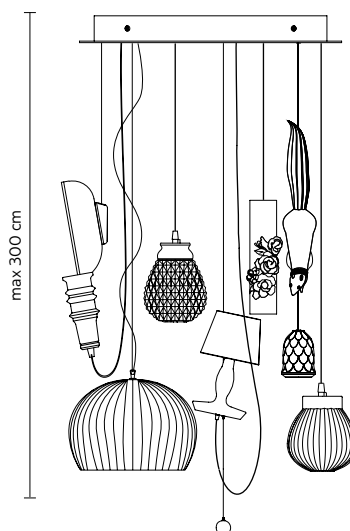
2019

A - PENDANTS *sospensioni*

Capodimonte	- SE129 1B	pag.32
Ceraunavolta	- SE135 1S	pag.39
Ceraunavolta	- SE135 3S	pag.39
Norma M	- SE640 EB	.
Sahara	- SE668KB	pag.84
Sherwood e Robin	- SE151 BB	pag.85
Work in progress	- SE125 1B	pag.102

E - CEILING CUP *rosone* *matt white metal - metallo bianco opaco SR050 AB INT pag.138

*(ceiling cup - rosone Ø500mm h.53mm)



CLUSTER Ø70 composizione

SE070 BB INT INDOOR

€ 3.500,00 vat not incl

Edmondo Testaguzza & Matteo Ugolini design

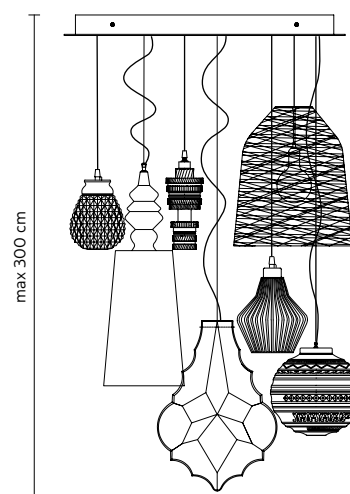
2019

A - PENDANTS *sospensioni*

24 Karati	- SE104 1F	pag.2
Ali e babà	- SE623 BS	pag.12
Black Out	- SE101 1B	pag.29
Braille	- SE144 1B	pag.31
Ceraunavolta	- SE135 3S	pag.39
Ceraunavolta	- SE135 5S	pag.39
Mek	- SE107 2B	pag.69

E - CEILING CUP *rosone* *matt white metal - metallo bianco opaco SR070 BB INT pag.138

*(ceiling cup - rosone Ø700mm h.53mm)



CLUSTER L90 composizione

SE090 CB INT INDOOR

€ 2.615,00 vat not incl

Edmondo Testaguzza & Matteo Ugolini design

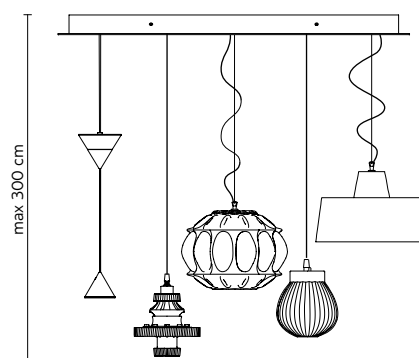
2023

A - PENDANTS *sospensioni*

Ceraunavolta	- SE135 1S	pag.39
Filomena	- SE270 6N	pag.54
Gangster	- SE644 BR	pag.58
Ginger	- SE116 1F	pag.59
Mek	- SE107 1N	pag.68

E - CEILING CUP *rosone* *matt white metal - metallo bianco opaco SR090 CB INT pag.138

*(ceiling cup - rosone L900 x 225 x h.53mm)



RECHARGEABLE LAMP - lampade ricaricabili

BACCO table lamp - lampada da tavolo **CT143 1B INT** INDOOR - **3000K**
CT143 2B INT INDOOR - **2700K**

€ **345,00** vat not incl

Matteo Ugolini design

2017

A - LAMP *corpo lampada* frosted white glass - vetro bianco satinato

B - LOGO nickel-plate metal - metallo nichelato

C - REMOVABLE BASE *base rimovibile* aluminum - alluminio

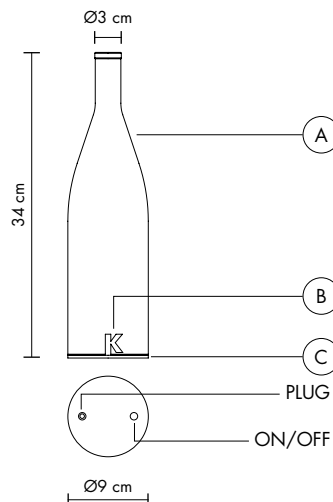
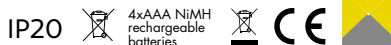
ELECTRICAL SYSTEM *dispositivo elettrico* LED 3,3W, 250lm, CRI≥80, batteries 4,8Vdc*

OPTIONAL *accessorio* charger equipped - *caricabatterie incluso*
basket - cestino "PERBACCO" **AC143 2G INT** pag.20
charger - carica batterie 12 plugs **AC143 3B INT** pag.20

PACKAGING *imballo* 12x12x58 cm

NET WEIGHT *peso netto* 0,65 KG **GROSS WEIGHT** *peso lordo* 1,2 KG

*autonomy 6hs - autonomia 6ore



ABACHINA floor lamp - piantana

HP291 N3 INT INDOOR
HP291 B3 INT INDOOR

€ **945,00** vat not incl

Edmondo Testaguzza design

2022

A - LAMP *corpo lampada* matt black aluminum - alluminio nero opaco **HP291 N3 INT**
matt white aluminum - alluminio bianco opaco **HP291 B3 INT**

B - SHADE *diffusore* white frosted glass - vetro bianco satinato

OPTIONAL *accessorio* charger equipped - *caricabatterie incluso*
tray - vassoio **pag.107**

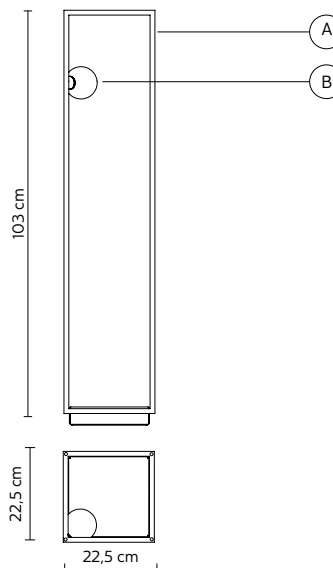
ELECTRICAL SYSTEM *dispositivo elettrico* LED 2,6W 360 lm 3000K, CRI≥90, batteries 5V*

PACKAGING *imballo* 42x42x120 cm

NET WEIGHT *peso netto* 4,6 KG **GROSS WEIGHT** *peso lordo* 6,6 KG

*rechargeable Li-ion batteries, autonomy 6hs

*(dimnable - dimmerabile)



ABACHINA floor lamp - piantana

HP291 N4 INT INDOOR
HP291 B4 INT INDOOR

€ **925,00** vat not incl

Edmondo Testaguzza design

2022

A - LAMP *corpo lampada* matt black aluminum - alluminio nero opaco **HP291 N4 INT**
matt white aluminum - alluminio bianco opaco **HP291 B4 INT**

B - SHADE *diffusore* white frosted glass - vetro bianco satinato

OPTIONAL *accessorio* *charger equipped - *caricabatterie incluso*
tray - vassoio **pag.107**

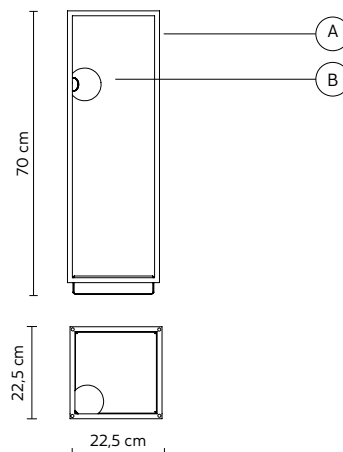
ELECTRICAL SYSTEM *dispositivo elettrico* LED 2,6W 360 lm 3000K, CRI≥90, batteries 5V

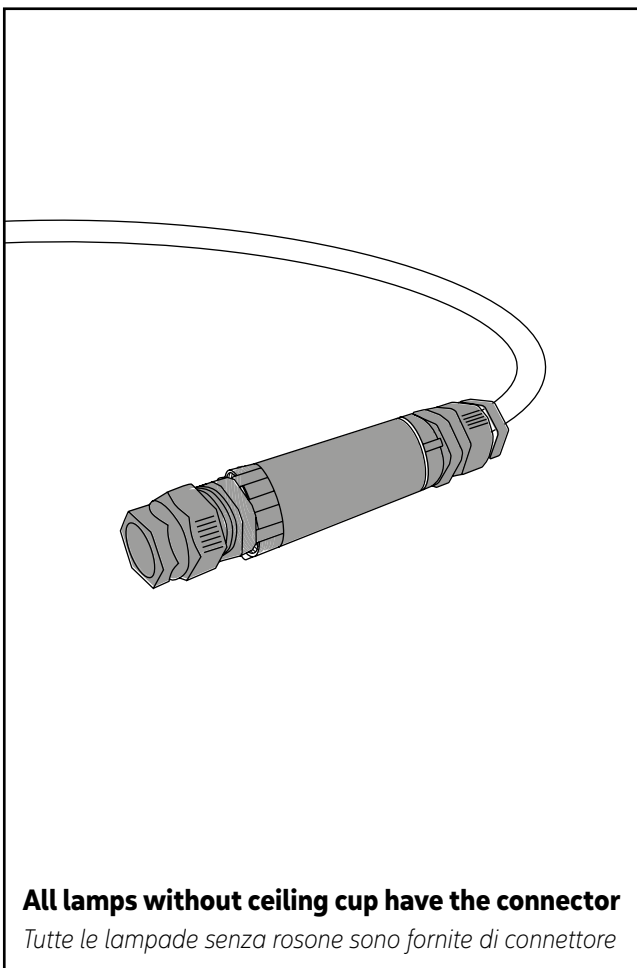
PACKAGING *imballo* 42x42x80 cm

NET WEIGHT *peso netto* 4,4 KG **GROSS WEIGHT** *peso lordo* 6,0 KG

*rechargeable Li-ion batteries, autonomy 6hs

*(dimnable - dimmerabile)





All lamps without ceiling cup have the connector

Tutte le lampade senza rosone sono fornite di connettore

OUTDOOR

108	Abachina
109	Agua
110	Alibabig
111	Atmosphere
114	Blackout
115	Cell
117	Don't touch
118	Ginger
120	Gonzaga
121	Kimono
121	Lady D
123	Leda
124	Moby Dick
125	Movida
126	Nilo
128	Plancton
129	Pois
130	Tobia
131	Ululì e Ululà
133	Xana

NEWS 2023

6	Airtek one
16/111	Atmosphere
62/122	Lady D
96	Turn it

ACCESSORIES

136	Bulbs - <i>lampadine</i>
138	Ceiling cups - <i>rosoni</i>
140	INDEX for product code <i>INDICE per codice prodotto</i>
142	General conditions of Sale <i>condizioni generali di vendita</i>
143	Project protection conditions <i>condizioni validità scheda progetto</i>
144	Symbols - <i>simbologia</i>
144	IP degrees - <i>grado IP</i>

ABACHINA floor lamp – piantana**HP291 N1 EXT** OUTDOOR€ 1.050,00 vat not incl**HP291 B1 EXT** OUTDOOR

Edmondo Testaguzza design

2022

A - LAMP *corpo lampada* matt black aluminum - *alluminio nero opaco* **HP291 N1 EXT**
 matt white aluminum - *alluminio bianco opaco* **HP291 B1 EXT**

B - SHADE *diffusore* white frosted glass - *vetro bianco satinato*

ELECTRICAL CABLE *cavo elettrico* black 5 meters - *5 metri, nero*

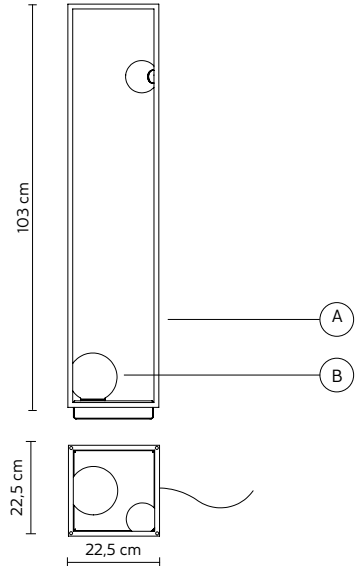
OPTIONAL *accessorio* *power supply equipped - *alimentatore incluso*
 ground fastening - *attacco a terra* **pag.109**
 tray - *vassoio* **pag.108**

ELECTRICAL SYSTEM *dispositivo elettrico* *LED CC 350mA, 10,6W 1368 Lm, 3000K, CRI≥90

PACKAGING *imballo* 42x42x120 cm

NET WEIGHT *peso netto* 4,8 KG **GROSS WEIGHT** *peso lordo* 6,8 KG

*up (3,2W 410 lm) + down (7,4W 958 lm)

**ABACHINA** floor lamp – piantana**HP291 N2 EXT** OUTDOOR€ 1.030,00 vat not incl**HP291 B2 EXT** OUTDOOR

Edmondo Testaguzza design

2022

A - LAMP *corpo lampada* matt black aluminum - *alluminio nero opaco* **HP291 N2 EXT**
 matt white aluminum - *alluminio bianco opaco* **HP291 B2 EXT**

B - SHADE *diffusore* white frosted glass - *vetro bianco satinato*

ELECTRICAL CABLE *cavo elettrico* black 5 meters - *5 metri, nero*

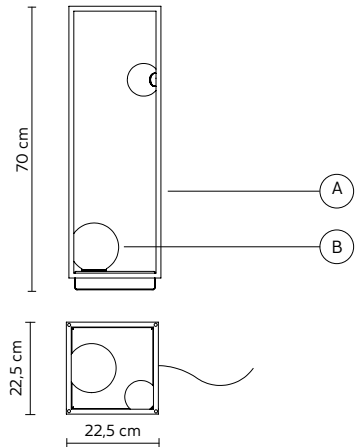
OPTIONAL *accessorio* *power supply equipped - *alimentatore incluso*
 ground fastening - *attacco a terra* **pag.109**
 tray - *vassoio* **pag.108**

ELECTRICAL SYSTEM *dispositivo elettrico* *LED CC 350mA, 10,6W 1368 Lm, 3000K, CRI≥90

PACKAGING *imballo* 42x42x80 cm

NET WEIGHT *peso netto* 4,6 KG **GROSS WEIGHT** *peso lordo* 6,2 KG

*up (3,2W 410 lm) + down (7,4W 958 lm)

**ABACHINA** optional – accessorio**AC291 N1 EXT** INDOOR/OUTDOOR€ 75,00 vat not incl**AC291 B1 EXT** INDOOR/OUTDOOR

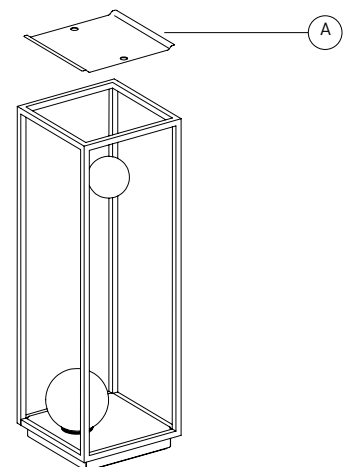
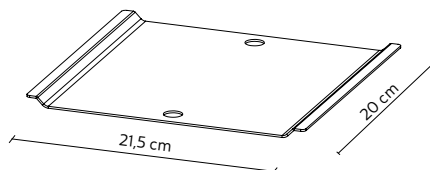
Edmondo Testaguzza design

2022

A - OPTIONAL *accessorio* matt black steel - *acciaio nero opaco* **AC291 N1 EXT**
 matt white steel - *acciaio bianco opaco* **AC291 B1 EXT**

PACKAGING *imballo* 23x23x31 cm

NET WEIGHT *peso netto* 0,5 KG **GROSS WEIGHT** *peso lordo* 0,9 KG



ABACHINA fixing plate - piastra di fissaggio **AC291 N2 EXT** OUTDOOR
AC291 B2 EXT OUTDOOR

€ 75,00 vat not incl

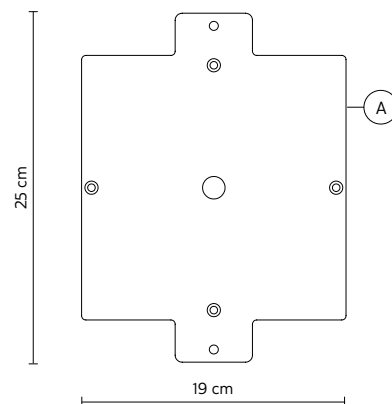
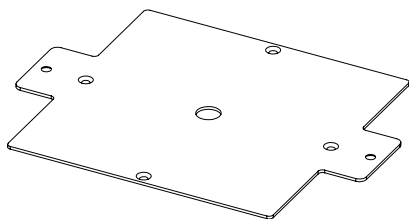
Edmondo Testaguzza design

2022

A - OPTIONAL *accessorio* matt black steel - acciaio nero opaco **AC291 N2 EXT**
matt white steel - acciaio bianco opaco **AC291 B2 EXT**

PACKAGING *imballo* 23x23x31 cm

NET WEIGHT *peso netto* 0,5 KG **GROSS WEIGHT** *peso lordo* 0,9 KG



ABACHINA wall lamp - applique **AP291 N1 EXT** INDOOR/OUTDOOR
AP291 B1 EXT INDOOR/OUTDOOR

€ 580,00 vat not incl

Edmondo Testaguzza design

2022

A - LAMP *corpo lampada* matt black aluminum - alluminio nero opaco **AP291 N1 EXT**
matt white aluminum - alluminio bianco opaco **AP291 B1 EXT**

B - SHADE *diffusore* white frosted glass - vetro bianco satinato

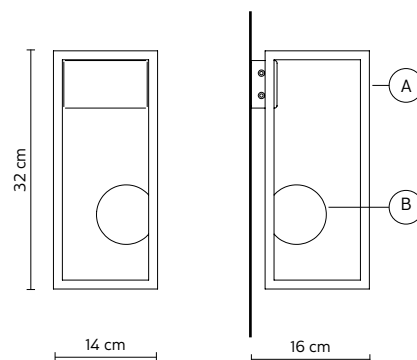
OPTIONAL *accessorio* power supply equipped - alimentatore incluso

ELECTRICAL SYSTEM *dispositivo elettrico* LED CC 3,2W 410 lm 3000K, CRI≥90

PACKAGING *imballo* 28x28x45 cm

NET WEIGHT *peso netto* 1,4 KG **GROSS WEIGHT** *peso lordo* 2,6 KG

IP44    



AGUA wall lamp - applique **AP290 T1 EXT** INDOOR/OUTDOOR
AP290 S1 EXT INDOOR/OUTDOOR

€ 485,00 vat not incl

€ 495,00 vat not incl

Matteo Ugalini & Edmondo Testaguzza design

2022

A - LAMP *corpo lampada* matt black aluminum - alluminio nero opaco

B - SHADE *diffusore* transparent glass - vetro trasparente **AP290 T1 EXT**
frosted glass - vetro acidato **AP290 S1 EXT**

OPTIONAL *accessorio* *power supply equipped - alimentatore incluso

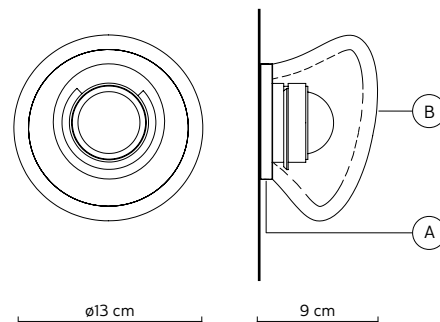
ELECTRICAL SYSTEM *dispositivo elettrico* LED CC 350mA, 3,2W, 410 lm 3000K, CRI≥90

PACKAGING *imballo* cm 21x21x20

NET WEIGHT *peso netto* 0,6 KG **GROSS WEIGHT** *peso lordo* 1,0 KG

BEWARE: remote power supply installation
ATTENZIONE: installazione alimentatore a remoto

IP44    



ALIBABIG floor lamp – piantana

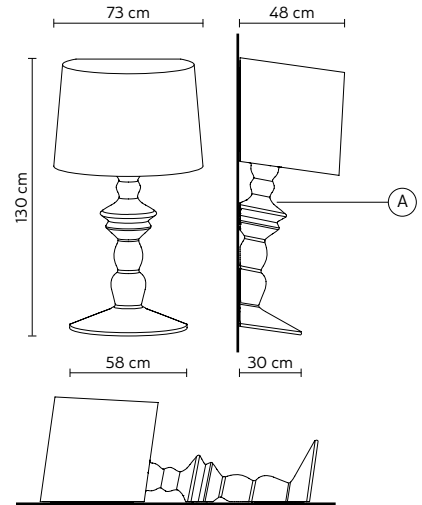
Matteo Ugolini design

H625V-EXT OUTDOOR

2012

€ 2.410,00 vat not incl

A - LAMP <i>corpo lampada</i>	white fiberglass – vetroresina bianca
C - ELECTRICAL CABLE <i>cavo elettrico</i>	green 5 meters – 5 metri verde
ELECTRICAL SYSTEM <i>dispositivo elettrico</i>	E27, 4x max 23W
OPTIONAL <i>accessorio</i>	bulbs equipped – lampadine incluse
BULBS <i>lampadine</i>	4 x (E27 led, 10W, 900lm, 2700K)
PACKAGING <i>imballo</i>	cm 62x75x139
NET WEIGHT <i>peso netto</i>	11 KG
GROSS WEIGHT <i>peso lordo</i>	16,1 KG

IP65     **ALIBABIG** pendant – sospensione






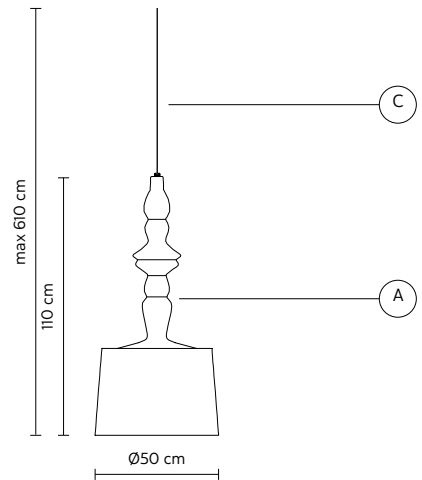

Matteo Ugolini design

SE616V-EXT OUTDOOR

2012

€ 1.710,00 vat not incl

A - LAMP <i>corpo lampada</i>	white fiberglass – vetroresina bianca
C - ELECTRICAL CABLE <i>cavo elettrico</i>	green 5 meters – 5 metri verde
ELECTRICAL SYSTEM <i>dispositivo elettrico</i>	E27,2x max 23W
OPTIONAL <i>accessorio</i>	bulb equipped – lampadina inclusa ceiling cup – rosone SR0102B EXT pag.139
BULB <i>lampadina</i>	2x(E27 led, 10W, 900lm 2700K)
PACKAGING <i>imballo</i>	55x55x128 cm
NET WEIGHT <i>peso netto</i>	5,1 KG
GROSS WEIGHT <i>peso lordo</i>	10,5 KG

IP65      **ALIBABIG** pendant – sospensione



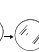


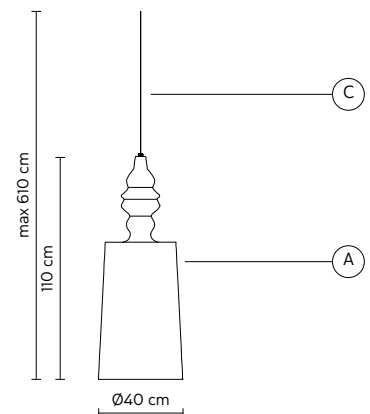

Matteo Ugolini design

SE617V-EXT OUTDOOR

2012

€ 1.650,00 vat not incl

A - LAMP <i>corpo lampada</i>	white fiberglass – vetroresina bianca
C - ELECTRICAL CABLE <i>cavo elettrico</i>	green 5 meters – 5 metri verde
ELECTRICAL SYSTEM <i>dispositivo elettrico</i>	E27,2x max 23W
OPTIONAL <i>accessorio</i>	bulb equipped – lampadina inclusa ceiling cup – rosone SR0102B EXT pag.139
BULB <i>lampadina</i>	2x(E27 led, 10W, 900lm 2700K)
PACKAGING <i>imballo</i>	55x55x128 cm
NET WEIGHT <i>peso netto</i>	5,6 KG
GROSS WEIGHT <i>peso lordo</i>	10,1 KG

IP65      

ATMOSPHERE floor lamp - piantana**HP302AB EXT** OUTDOOR€ 1.390,00 vat not incl

Matteo Ugolini design

HP302AN EXT OUTDOOR

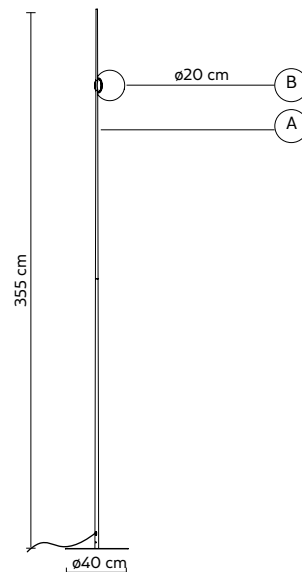
NEWS 2023

A - LAMP *corpo lampada*matt white glass fiber - *fibra di vetro bianco opaco* **HP302AB EXT**
matt black glass fiber - *fibra di vetro nero opaco* **HP302AN EXT****B - LAMP** *diffusore*matt white PMMA - *PMMA bianco opaco***C - ELECTRICAL CABLE** *cavo elettrico*black 5 meters - *5 metri nero***ELECTRICAL SYSTEM** *dispositivo elettrico*

E27, 1x max 18W LED

OPTIONAL *accessorio*bulb not provided - *lampadina non inclusa***PACKAGING** *imballo*

A (220x20x15)+ B(50x50x32) cm

NET WEIGHT *peso netto* 5,1 KG**GROSS WEIGHT** *peso lordo* 6,7 KG**ATMOSPHERE** floor lamp - piantana**HP302BB EXT** OUTDOOR€ 1.290,00 vat not incl

Matteo Ugolini design

HP302BN EXT OUTDOOR

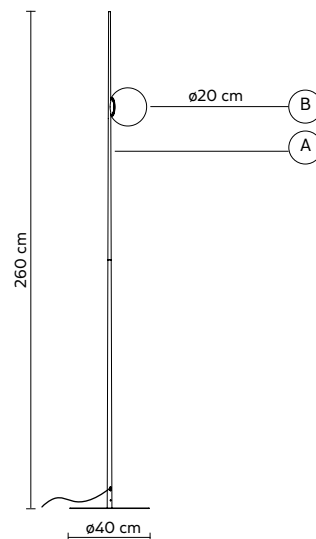
NEWS 2023

A - LAMP *corpo lampada*matt white glass fiber - *fibra di vetro bianco opaco* **HP302BB EXT**
matt black glass fiber - *fibra di vetro nero opaco* **HP302BN EXT****B - LAMP** *diffusore*matt white PMMA - *PMMA bianco opaco***C - ELECTRICAL CABLE** *cavo elettrico*black 5 meters - *5 metri nero***ELECTRICAL SYSTEM** *dispositivo elettrico*

E27, 1x max 18W LED

OPTIONAL *accessorio*bulb not provided - *lampadina non inclusa***PACKAGING** *imballo*

A (220x20x15)+ B(50x50x32) cm

NET WEIGHT *peso netto* 4,3 KG**GROSS WEIGHT** *peso lordo* 5,9 KG**ATMOSPHERE** floor lamp - piantana**HP302CB EXT** OUTDOOR€ 990,00 vat not incl

Matteo Ugolini design

HP302CN EXT OUTDOOR

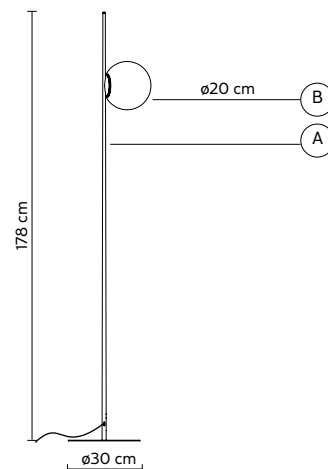
NEWS 2023

A - LAMP *corpo lampada*matt white glass fiber - *fibra di vetro bianco opaco* **HP302CB EXT**
matt black glass fiber - *fibra di vetro nero opaco* **HP302CN EXT****B - LAMP** *diffusore*matt white PMMA - *PMMA bianco opaco***C - ELECTRICAL CABLE** *cavo elettrico*black 5 meters - *5 metri nero***ELECTRICAL SYSTEM** *dispositivo elettrico*

E27, 1x max 18W LED

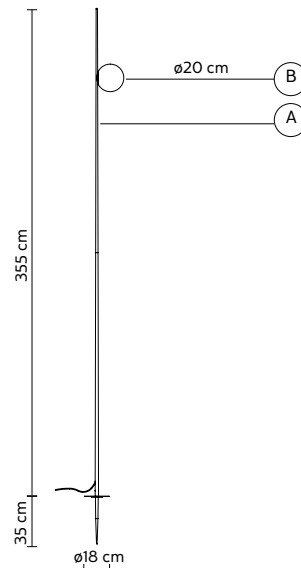
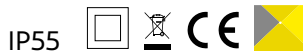
OPTIONAL *accessorio*bulb not provided - *lampadina non inclusa***PACKAGING** *imballo*

A (220x20x15)+ B(42x42x30) cm

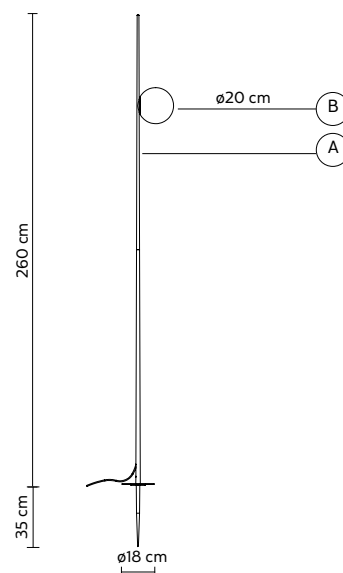
NET WEIGHT *peso netto* 3,5 KG**GROSS WEIGHT** *peso lordo* 5,1 KG

ATMOSPHERE floor lamp - piantana**HP302DB EXT** OUTDOOR€ 1.390,00 vat not incl**HP302DN EXT** OUTDOOR**NEWS 2023**

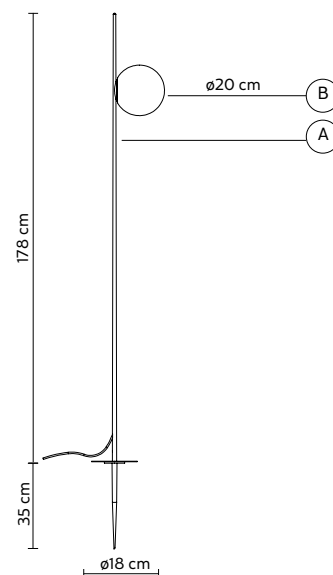
Matteo Ugolini design

A - LAMP *corpo lampada* matt white glass fiber - *fibra di vetro bianco opaco* **HP302DB EXT**
matt black glass fiber - *fibra di vetro nero opaco* **HP302DN EXT****B - LAMP** *diffusore* matt white PMMA - *PMMA bianco opaco***C - ELECTRICAL CABLE** *cavo elettrico* black 5 meters - *5 metri nero***ELECTRICAL SYSTEM** *dispositivo elettrico* E27, 1x max 18W LED**OPTIONAL** *accessorio* bulb not provided - *lampadina non inclusa***PACKAGING** *imballo* A (220x20x15)+ B(42x42x30) cm**NET WEIGHT** *peso netto* 4,1 KG **GROSS WEIGHT** *peso lordo* 5,9 KG**ATMOSPHERE** floor lamp - piantana**HP302EB EXT** OUTDOOR€ 1.290,00 vat not incl**HP302EN EXT** OUTDOOR**NEWS 2023**

Matteo Ugolini design

A - LAMP *corpo lampada* matt white glass fiber - *fibra di vetro bianco opaco* **HP302EB EXT**
matt black glass fiber - *fibra di vetro nero opaco* **HP302EN EXT****B - LAMP** *diffusore* matt white PMMA - *PMMA bianco opaco***C - ELECTRICAL CABLE** *cavo elettrico* black 5 meters - *5 metri nero***ELECTRICAL SYSTEM** *dispositivo elettrico* E27, 1x max 18W LED**OPTIONAL** *accessorio* bulb not provided - *lampadina non inclusa***PACKAGING** *imballo* A (220x20x15)+ B(42x42x30) cm**NET WEIGHT** *peso netto* 3,3 KG **GROSS WEIGHT** *peso lordo* 5,0 KG**ATMOSPHERE** floor lamp - piantana**HP302FB EXT** OUTDOOR€ 990,00 vat not incl**HP302FN EXT** OUTDOOR**NEWS 2023**

Matteo Ugolini design

A - LAMP *corpo lampada* matt white glass fiber - *fibra di vetro bianco opaco* **HP302FB EXT**
matt black glass fiber - *fibra di vetro nero opaco* **HP302FN EXT****B - LAMP** *diffusore* matt white PMMA - *PMMA bianco opaco***C - ELECTRICAL CABLE** *cavo elettrico* black 5 meters - *5 metri nero***ELECTRICAL SYSTEM** *dispositivo elettrico* E27, 1x max 18W LED**OPTIONAL** *accessorio* bulb not provided - *lampadina non inclusa***PACKAGING** *imballo* A (220x20x15)+ B(42x42x30) cm**NET WEIGHT** *peso netto* 2,5 KG **GROSS WEIGHT** *peso lordo* 4,1 KG

ATMOSPHERE floor lamp - piantana**HP302GB EXT** OUTDOOR€ 1.390,00 vat not incl

Matteo Ugolini design

HP302GN EXT OUTDOOR**NEWS 2023**

A - LAMP *corpo lampada* matt white glass fiber - *fibra di vetro bianco opaco* **HP302GB EXT**
 matt black glass fiber - *fibra di vetro nero opaco* **HP302GN EXT**

B - LAMP *difusore* matt white PMMA - *PMMA bianco opaco*

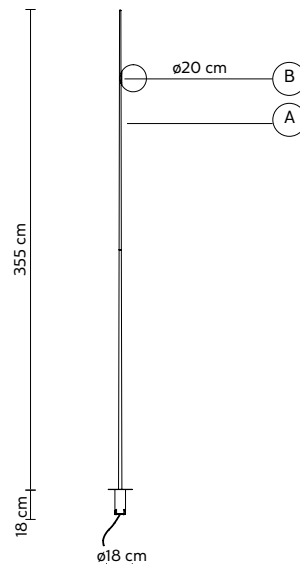
C - ELECTRICAL CABLE *cavo elettrico* black 5 meters - *5 metri nero*

ELECTRICAL SYSTEM *dispositivo elettrico* E27, 1x max 18W LED

OPTIONAL *accessorio* bulb not provided - *lampadina non inclusa*

PACKAGING *imballo* A (220x20x15)+ B(42x42x30) cm

NET WEIGHT *peso netto* 4,5 KG **GROSS WEIGHT** *peso lordo* 6,3 KG

**ATMOSPHERE** floor lamp - piantana**HP302HB EXT** OUTDOOR€ 1.290,00 vat not incl

Matteo Ugolini design

HP302HN EXT OUTDOOR**NEWS 2023**

A - LAMP *corpo lampada* matt white glass fiber - *fibra di vetro bianco opaco* **HP302HB EXT**
 matt black glass fiber - *fibra di vetro nero opaco* **HP302HN EXT**

B - LAMP *difusore* matt white PMMA - *PMMA bianco opaco*

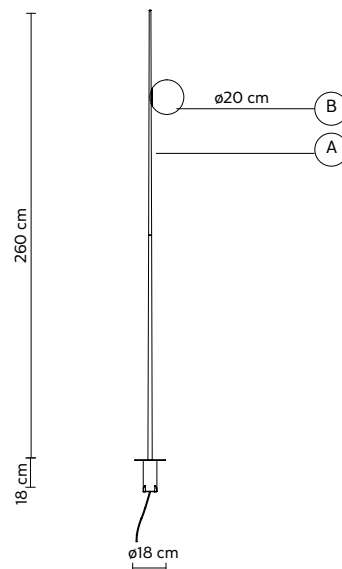
C - ELECTRICAL CABLE *cavo elettrico* black 5 meters - *5 metri nero*

ELECTRICAL SYSTEM *dispositivo elettrico* E27, 1x max 18W LED

OPTIONAL *accessorio* bulb not provided - *lampadina non inclusa*

PACKAGING *imballo* A (220x20x15)+ B(42x42x30) cm

NET WEIGHT *peso netto* 3,7 KG **GROSS WEIGHT** *peso lordo* 5,4 KG

**ATMOSPHERE** floor lamp - piantana**HP302LB EXT** OUTDOOR€ 990,00 vat not incl

Matteo Ugolini design

HP302LN EXT OUTDOOR**NEWS 2023**

A - LAMP *corpo lampada* matt white glass fiber - *fibra di vetro bianco opaco* **HP302LB EXT**
 matt black glass fiber - *fibra di vetro nero opaco* **HP302LN EXT**

B - LAMP *difusore* matt white PMMA - *PMMA bianco opaco*

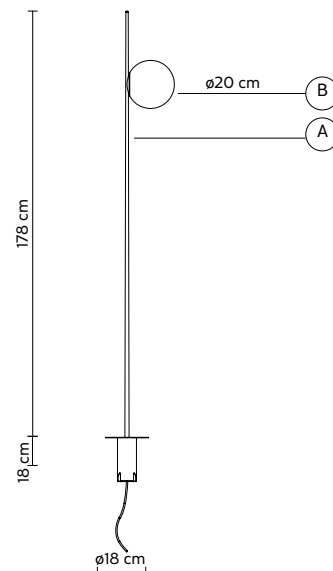
C - ELECTRICAL CABLE *cavo elettrico* black 5 meters - *5 metri nero*

ELECTRICAL SYSTEM *dispositivo elettrico* E27, 1x max 18W LED

OPTIONAL *accessorio* bulb not provided - *lampadina non inclusa*

PACKAGING *imballo* A (220x20x15)+ B(42x42x30) cm

NET WEIGHT *peso netto* 2,9 KG **GROSS WEIGHT** *peso lordo* 4,5 KG



ATMOSPHERE ceiling lamp – plafoniera**PL302CB EXT** OUTDOOR€ 900,00 vat not incl**PL302CN EXT** OUTDOOR

Matteo Ugolini design

NEWS 2023

A - LAMP *corpo lampada* matt white glass fiber – *fibra di vetro bianco opaco* **PL302CB EXT**
 matt black glass fiber – *fibra di vetro nero opaco* **PL302CN EXT**

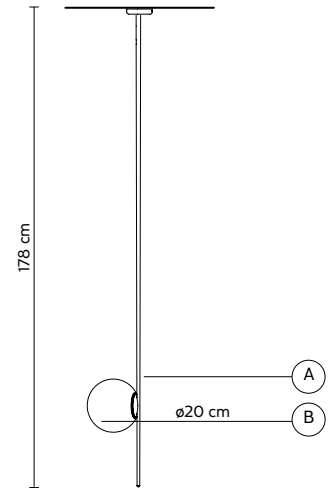
B - LAMP *diffusore* matt white PMMA – *PMMA bianco opaco*

ELECTRICAL SYSTEM *dispositivo elettrico* E27, 1x max 18W LED

OPTIONAL *accessorio* bulb not provided – *lampadina non inclusa*

PACKAGING *imballo* A (220x20x15)+ B(42x42x30) cm cm

NET WEIGHT *peso netto* 2,0 KG **GROSS WEIGHT** *peso lordo* 3,5 KG

**BLACK OUT** pendant – sospensione**SE101 1B EXT** OUTDOOR€ 930,00 vat not incl**SE101 1N EXT** OUTDOOR

Matteo Ugolini design

2015/ NEWS 2023

A - LAMPSHADE *paralume* matt white fiberglass – *vetroresina bianca opaca* **SE1011BEXT**
 matt black fiberglass – *vetroresina nera opaca* **SE1011NEXT**

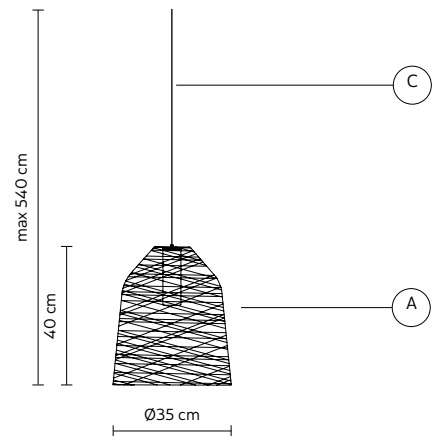
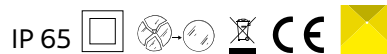
C - ELECTRICAL CABLE *cavo elettrico* green 5 meters – *5 metri verde* **SE1011BEXT**
 black 5 meters – *5 metri nero* **SE1011NEXT**

ELECTRICAL SYSTEM *dispositivo elettrico* E27, 1x max 23W

OPTIONAL *accessorio* bulb not provided – *lampadina non inclusa*
 ceiling cup – *rosone* **SR10102B EXT** pag.139

PACKAGING *imballo* 50x50x50 cm

NET WEIGHT *peso netto* 1,3 KG **GROSS WEIGHT** *peso lordo* 1,8 KG

**BLACK OUT** pendant – sospensione**SE101 2B EXT** OUTDOOR€ 1.030,00 vat not incl**SE101 2N EXT** OUTDOOR

Matteo Ugolini design

2015/ NEWS 2023

A - LAMPSHADE *paralume* matt white fiberglass – *vetroresina bianca opaca* **SE1012BEXT**
 matt black fiberglass – *vetroresina nera opaca* **SE1012NEXT**

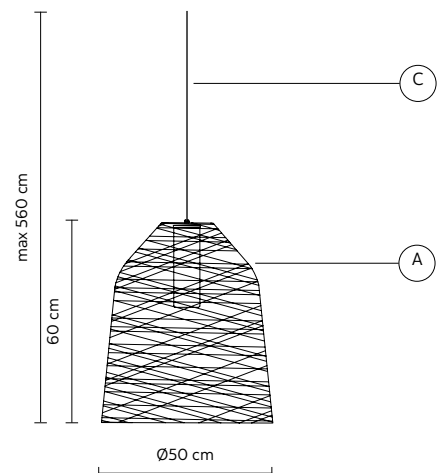
C - ELECTRICAL CABLE *cavo elettrico* green 5 meters – *5 metri verde* **SE1012BEXT**
 black 5 meters – *5 metri nero* **SE1012NEXT**

ELECTRICAL SYSTEM *dispositivo elettrico* E27, 1x max 23W

OPTIONAL *accessorio* bulb not provided – *lampadina non inclusa*
 ceiling cup – *rosone* **SR10102B EXT** pag.139

PACKAGING *imballo* 60x60x70 cm

NET WEIGHT *peso netto* 2,5 KG **GROSS WEIGHT** *peso lordo* 4,2 KG

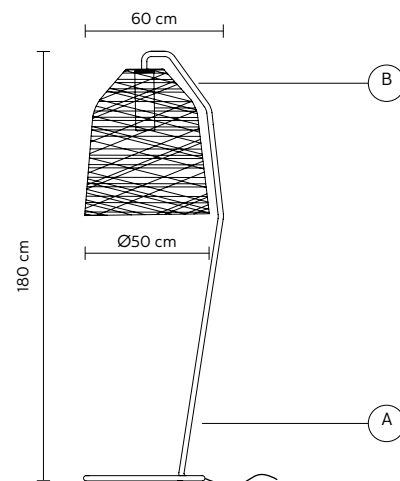


BLACK OUT floor lamp – piantana**HP101 2B EXT** OUTDOOR€ 1.570,00 vat not incl**HP101 2N EXT** OUTDOOR

Matteo Ugolini design

2015/ **NEWS 2023**

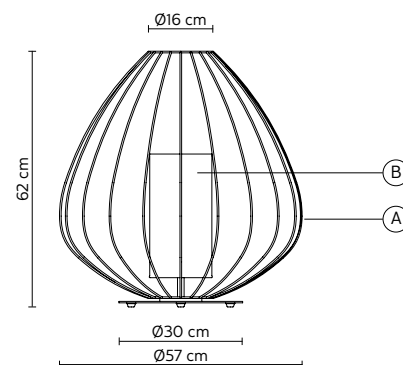
A - LAMP <i>corpo lampada</i>	matt white metal – <i>metallo bianco opaco</i> HP1012BEXT matt black metal – <i>metallo nero opaco</i> HP1012NEXT
B - LAMPSHADE <i>paralume</i>	matt white fiberglass – <i>vetroresina bianca opaca</i> HP1012BEXT matt black fiberglass – <i>vetroresina nera opaca</i> HP1012NEXT
ELECTRICAL CABLE <i>cavo elettrico</i>	green 5 meters – <i>5 metri verde</i> HP1012BEXT black 5 meters – <i>5 metri nero</i> HP1012NEXT
ELECTRICAL SYSTEM <i>dispositivo elettrico</i>	E27, 1x max 23W
OPTIONAL <i>accessorio</i>	bulb not provided – <i>lampadina non inclusa</i>
PACKAGING <i>imballo</i>	62x62x185 cm
NET WEIGHT <i>peso netto</i> 5,5 KG	GROSS WEIGHT <i>peso lordo</i> 8,7 KG

**CELL** floor lamp – lampada da terra**M612-EXT** OUTDOOR€ 980,00 vat not incl**CT612 AM EXT** OUTDOOR€ 1.100,00 vat not incl

Matteo Ugolini design

2012/2018

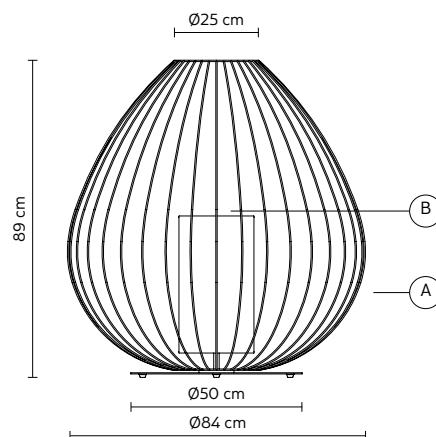
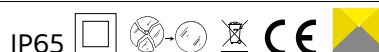
A - LAMP <i>corpo lampada</i>	glossy white stainless steel – <i>inox bianco lucido</i> M612-EXT glossy bronze stainless steel – <i>inox bronzo lucido</i> CT612 AM EXT
B - LAMPSHADE <i>paralume</i>	white PMMA – <i>PMMA bianco</i>
ELECTRICAL CABLE <i>cavo elettrico</i>	green 5 meters – <i>verde 5 metri</i> M612-EXT black 5 meters – <i>nero 5 metri</i> CT612 AM EXT
ELECTRICAL SYSTEM <i>dispositivo elettrico</i>	E27, 1x max 23W
OPTIONAL <i>accessorio</i>	bulbs equipped – <i>lampadine incluse</i>
BULBS <i>lampadine</i>	1x E27 led, 10W, 900lm, 2700K
PACKAGING <i>imballo</i>	62x62x65 cm
NET WEIGHT <i>peso netto</i> 7,9 KG	GROSS WEIGHT <i>peso lordo</i> 10 KG

**CELL** floor lamp – lampada da terra**M613-EXT** OUTDOOR€ 1.605,00 vat not incl**HP613 BM EXT** OUTDOOR€ 1.695,00 vat not incl

Matteo Ugolini design

2012/2018

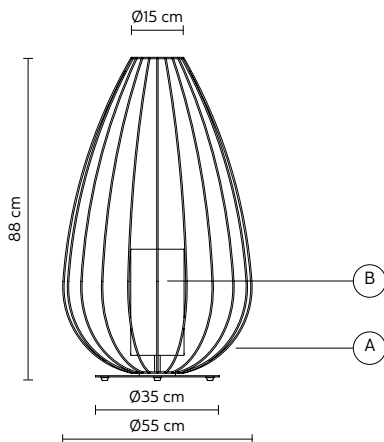
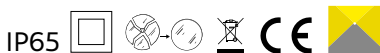
A - LAMP <i>corpo lampada</i>	glossy white stainless steel – <i>inox bianco lucido</i> M613-EXT glossy bronze stainless steel – <i>inox bronzo lucido</i> HP613 BM EXT
B - LAMPSHADE <i>paralume</i>	white PMMA – <i>PMMA bianco</i>
ELECTRICAL CABLE <i>cavo elettrico</i>	green 5 meters – <i>verde 5 metri</i> M613-EXT black 5 meters – <i>nero 5 metri</i> HP613 BM EXT
ELECTRICAL SYSTEM <i>dispositivo elettrico</i>	E27, 1x max 23W
OPTIONAL <i>accessorio</i>	bulbs equipped – <i>lampadine incluse</i>
BULBS <i>lampadine</i>	1x E27 led, 10W, 900lm, 2700K
PACKAGING <i>imballo</i>	90x90x93 cm
NET WEIGHT <i>peso netto</i> 13 KG	GROSS WEIGHT <i>peso lordo</i> 17 KG



CELL floor lamp - lampada da terra**M615-EXT** OUTDOOR
HP615 DM EXT OUTDOOR€ 1.110,00 vat not incl
€ 1.200,00 vat not incl

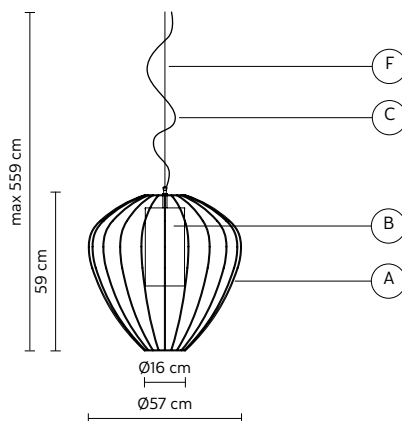
Matteo Ugolini design

2012/2018

A - LAMP *corpo lampada* glossy white stainless steel - *inox bianco lucido* **M615-EXT**
glossy bronze stainless steel - *inox bronzo lucido* **HP615 DM EXT****B - LAMPSHADE** *paralume* white PMMA - *PMMA bianco***ELECTRICAL CABLE** *cavo elettrico* green 5 meters - *verde 5 metri* **M615-EXT**
black 5 meters - *nero 5 metri* **HP615 DM EXT****ELECTRICAL SYSTEM** *dispositivo elettrico* E27, 1x max 23W**OPTIONAL** *accessorio* bulbs equipped - *lampadine incluse***BULBS** *lampadine* 1x E27 led, 10W, 900lm, 2700K**PACKAGING** *imballo* 58x58x90 cm**NET WEIGHT** *peso netto* 7,9 KG **GROSS WEIGHT** *peso lordo* 10 KG**CELL** floor lamp - lampada da terra**SE612-EXT** OUTDOOR
SE612 AM EXT OUTDOOR€ 865,00 vat not incl
€ 945,00 vat not incl

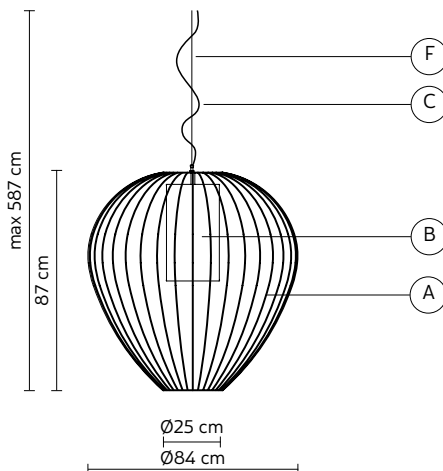
Matteo Ugolini design

2012/2018

A - LAMP *corpo lampada* glossy white stainless steel - *inox bianco lucido* **SE612-EXT**
glossy bronze stainless steel - *inox bronzo lucido* **SE612AM EXT****B - LAMPSHADE** *paralume* white PMMA - *PMMA bianco***F - SUSPENSION CABLE** *fune di sospensione* steel 2 meters - *acciaio 2 metri***C - ELECTRICAL CABLE** *cavo elettrico* green 5 meters - *verde 5 metri* **SE612-EXT**
black 5 meters - *nero 5 metri* **SE612AM EXT****ELECTRICAL SYSTEM** *dispositivo elettrico* E27, 1x max 23W**OPTIONAL** *accessorio* bulbs equipped - *lampadine incluse*
ceiling cup - *rosone* **SR026 2B EXT** pag.139**BULBS** *lampadine* 1x E27 led, 10W, 900lm, 2700K**PACKAGING** *imballo* 62x62x65 cm**NET WEIGHT** *peso netto* 3 KG **GROSS WEIGHT** *peso lordo* 5,3 KG**CELL** floor lamp - lampada da terra**SE613-EXT** OUTDOOR
SE613 BM EXT OUTDOOR€ 1.520,00 vat not incl
€ 1.395,00 vat not incl

Matteo Ugolini design

2012/2018

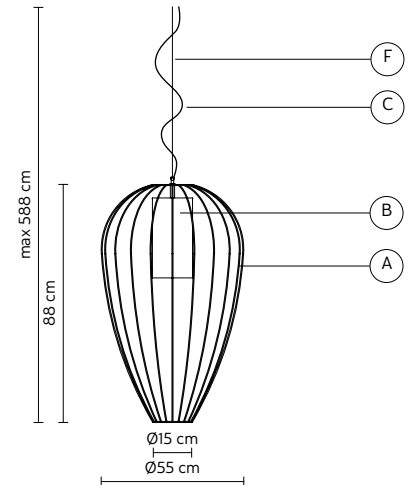
A - LAMP *corpo lampada* glossy white stainless steel - *inox bianco lucido* **SE613-EXT**
glossy bronze stainless steel - *inox bronzo lucido* **SE613BM EXT****B - LAMPSHADE** *paralume* white PMMA - *PMMA bianco***F - SUSPENSION CABLE** *fune di sospensione* steel 2 meters - *acciaio 2 metri***C - ELECTRICAL CABLE** *cavo elettrico* green 5 meters - *verde 5 metri* **SE613-EXT**
black 5 meters - *nero 5 metri* **SE613BM EXT****ELECTRICAL SYSTEM** *dispositivo elettrico* E27, 1x max 23W**OPTIONAL** *accessorio* bulbs equipped - *lampadine incluse*
ceiling cup - *rosone* **SR026 2B EXT** pag.139**BULBS** *lampadine* 1x E27 led, 10W, 900lm, 2700K**PACKAGING** *imballo* 90x90x93 cm**NET WEIGHT** *peso netto* 9 KG **GROSS WEIGHT** *peso lordo* 12 KG

CELL floor lamp - lampada da terra**SE615-EXT** OUTDOOR
SE615 DM EXT OUTDOOR€ **970,00** vat not incl
€ **1.085,00** vat not incl

Matteo Ugolini design

2012/2018

A - LAMP <i>corpo lampada</i>	glossy white stainless steel - <i>inox bianco lucido</i> SE615-EXT glossy bronze stainless steel - <i>inox bronzo lucido</i> SE615DM EXT
B - LAMPSHADE <i>paralume</i>	white PMMA - <i>PMMA bianco</i>
F - SUSPENSION CABLE <i>fune di sospensione</i>	steel 2 meters - <i>acciaio 2 metri</i>
C - ELECTRICAL CABLE <i>cavo elettrico</i>	green 5 meters - <i>verde 5 metri</i> SE615-EXT black 5 meters - <i>nero 5 metri</i> SE615DM EXT
ELECTRICAL SYSTEM <i>dispositivo elettrico</i>	E27, 1x max 23W
OPTIONAL <i>accessorio</i>	bulbs equipped - <i>lampadine incluse</i> ceiling cup - <i>rosone</i> SRO26 2B EXT pag.139
BULBS <i>lampadine</i>	1x E27 led, 10W, 900lm, 2700K
PACKAGING <i>imballo</i>	58x58x90 cm
NET WEIGHT <i>peso netto</i> 5 KG	GROSS WEIGHT <i>peso lordo</i> 7 KG

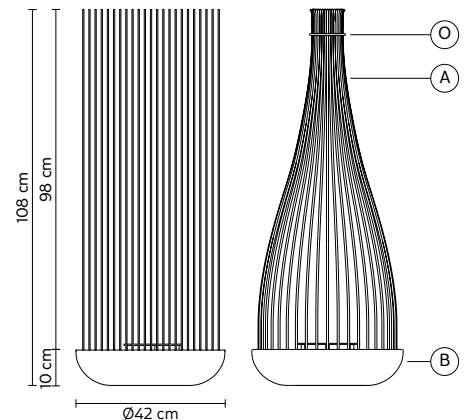
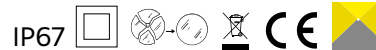
**DON'T TOUCH** floor lamp - lampada da terra **HP153 AB EXT** OUTDOOR - **3000K**
HP153 BB EXT OUTDOOR - **2700K**€ **1.200,00** vat not incl

Matteo Ugolini design

2018

A - STICKS <i>bacchette</i>	matt white PVC - <i>PVC bianco opaco</i>
B - BASE <i>basamento</i>	matt grey technopolymer - <i>tecnopolimero grigio opaco</i>
ELECTRICAL CABLE <i>cavo elettrico</i>	black 5 meters - <i>nero 5 metri</i>
ELECTRICAL SYSTEM <i>dispositivo elettrico</i>	LED 220V, 29W, 2600 lm, CRI≥80
OPTIONAL <i>accessorio</i>	ground fastening - <i>attacco a terra</i> AC153 AC EXT pag.117 fixing plate - <i>piastra fissaggio</i> AC153 BC EXT pag.117 silicone o-ring equipped - <i>o-ring in silicone incluso</i>
PACKAGING <i>imballo</i>	A (10x10x140) + B (51x51x32) cm
NET WEIGHT <i>peso netto</i> 13 KG	GROSS WEIGHT <i>peso lordo</i> 16 KG

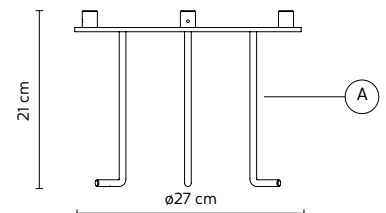
*(cut phase dimmable - dimmerabile taglio di fase)

**DON'T TOUCH** ground fastening - attacco a terra **AC153 AC EXT**€ **280,00** vat not incl

Matteo Ugolini design

2018

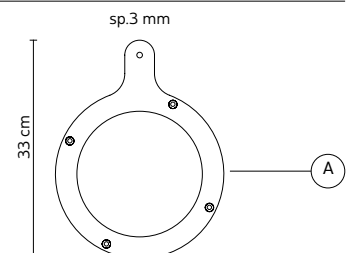
A - GROUND FASTENING <i>attacco a terra</i>	natural steel inox - <i>acciaio inox naturale</i>
PACKAGING <i>imballo</i>	36x36x24 cm
NET WEIGHT <i>peso netto</i> 2,2 KG	GROSS WEIGHT <i>peso lordo</i> 4,1 KG

**DON'T TOUCH** fixing plate - piastra di fissaggio **AC153 BC EXT**€ **145,00** vat not incl

Matteo Ugolini design

2018

A - GROUND FASTENING <i>attacco a terra</i>	natural steel inox - <i>acciaio inox naturale</i>
PACKAGING <i>imballo</i>	31x23x31 cm
NET WEIGHT <i>peso netto</i> 0,7 KG	GROSS WEIGHT <i>peso lordo</i> 2,1 KG

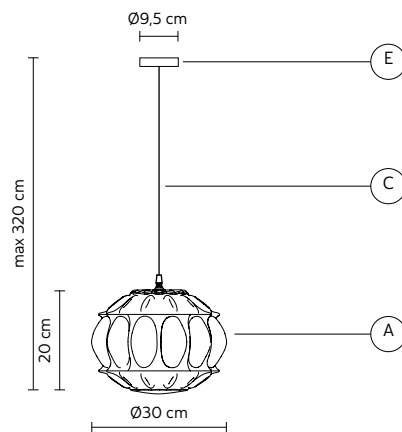


GINGER pendant - sospensione**SE116 1A EXT** OUTDOOR€ 550,00 vat not incl**SE116 1F EXT** OUTDOOR

Edmondo Testaguzza design

2015

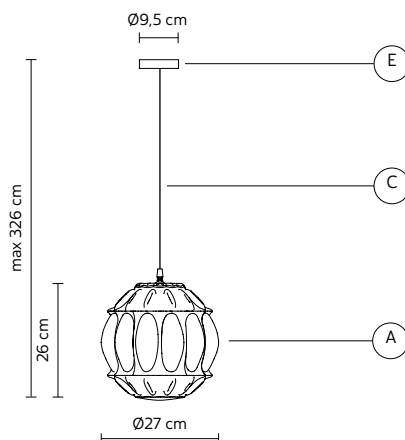
A - LAMPSHADE <i>paralume</i>	pale yellow glass - vetro paglierino SE116 1A EXT smoked glass - vetro fumè SE116 1F EXT
E - CEILING CUP <i>rosone</i>	matt black metal - metallo nero opaco
C - ELECTRICAL CABLE <i>cavo elettrico</i>	black 3 meters - 3 metri nero
ELECTRICAL SYSTEM <i>dispositivo elettrico</i>	E27, 1x max 52W
OPTIONAL <i>accessorio</i>	bulb not provided - lampadina non inclusa
PACKAGING <i>imballo</i>	42x42x33 cm
NET WEIGHT <i>peso netto</i> 2,8 KG	GROSS WEIGHT <i>peso lordo</i> 4,1 KG

IP 44       **GINGER** pendant - sospensione**SE116 2A EXT** OUTDOOR€ 550,00 vat not incl**SE116 2F EXT** OUTDOOR

Edmondo Testaguzza design

2015

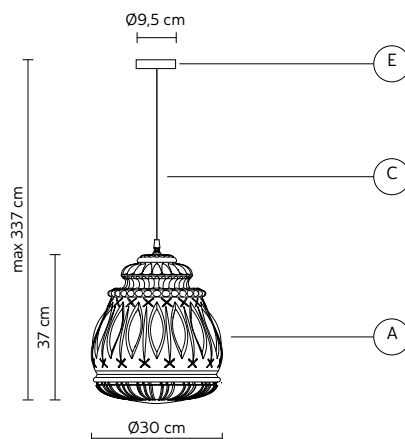
A - LAMPSHADE <i>paralume</i>	pale yellow glass - vetro paglierino SE116 2A EXT smoked glass - vetro fumè SE116 2F EXT
E - CEILING CUP <i>rosone</i>	matt black metal - metallo nero opaco
C - ELECTRICAL CABLE <i>cavo elettrico</i>	black 3 meters - 3 metri nero
ELECTRICAL SYSTEM <i>dispositivo elettrico</i>	E27, 1x max 52W
OPTIONAL <i>accessorio</i>	bulb not provided - lampadina non inclusa
PACKAGING <i>imballo</i>	42x42x33 cm
NET WEIGHT <i>peso netto</i> 2,9 KG	GROSS WEIGHT <i>peso lordo</i> 4,2 KG

IP 44       **GINGER** pendant - sospensione**SE116 3A EXT** OUTDOOR€ 630,00 vat not incl**SE116 3F EXT** OUTDOOR

Edmondo Testaguzza design

2015

A - LAMPSHADE <i>paralume</i>	pale yellow glass - vetro paglierino SE116 3A EXT smoked glass - vetro fumè SE116 3F EXT
E - CEILING CUP <i>rosone</i>	matt black metal - metallo nero opaco
C - ELECTRICAL CABLE <i>cavo elettrico</i>	black 3 meters - 3 metri nero
ELECTRICAL SYSTEM <i>dispositivo elettrico</i>	E27, 1x max 52W
OPTIONAL <i>accessorio</i>	bulb not provided - lampadina non inclusa
PACKAGING <i>imballo</i>	50x50x50 cm
NET WEIGHT <i>peso netto</i> 3,6 KG	GROSS WEIGHT <i>peso lordo</i> 5,6 KG

IP 44       

GINGER pendant - sospensione**SE116 4A EXT** OUTDOOR€ 575,00 vat not incl**SE116 4F EXT** OUTDOOR

Edmondo Testaguzza design

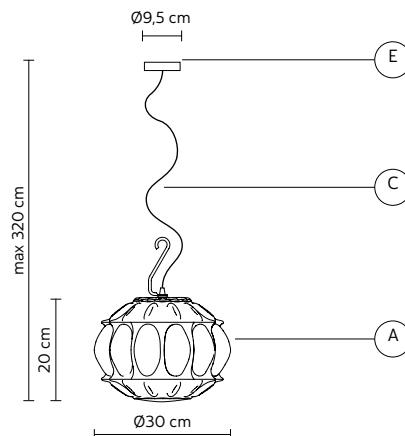
2015

A - LAMPSHADE *paralume*pale yellow glass - *vetro paglierino* **SE116 4A EXT**smoked glass - *vetro fumè* **SE116 4F EXT****E - CEILING CUP** *rosone*matt black metal - *metallo nero opaco***C - ELECTRICAL CABLE** *cavo elettrico*black 3 meters - *3 metri nero***ELECTRICAL SYSTEM** *dispositivo elettrico*

E27, 1x max 52W

OPTIONAL *accessorio*bulb not provided - *lampadina non inclusa***PACKAGING** *imballo*

42x42x33 cm

NET WEIGHT *peso netto* 2,8 KG**GROSS WEIGHT** *peso lordo* 4,1 KG**GINGER** pendant - sospensione**SE116 5A EXT** OUTDOOR€ 575,00 vat not incl**SE116 5F EXT** OUTDOOR

Edmondo Testaguzza design

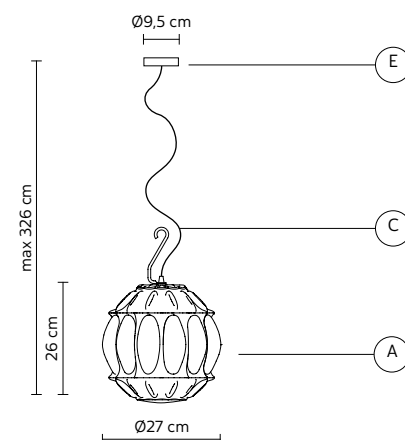
2015

A - LAMPSHADE *paralume*pale yellow glass - *vetro paglierino* **SE116 5A EXT**smoked glass - *vetro fumè* **SE116 5F EXT****E - CEILING CUP** *rosone*matt black metal - *metallo nero opaco***C - ELECTRICAL CABLE** *cavo elettrico*black 3 meters - *3 metri nero***ELECTRICAL SYSTEM** *dispositivo elettrico*

E27, 1x max 52W

OPTIONAL *accessorio*bulb not provided - *lampadina non inclusa***PACKAGING** *imballo*

42x42x33 cm

NET WEIGHT *peso netto* 2,9 KG**GROSS WEIGHT** *peso lordo* 4,2 KG**GINGER** pendant - sospensione**SE116 6A EXT** OUTDOOR€ 660,00 vat not incl**SE116 6F EXT** OUTDOOR

Edmondo Testaguzza design

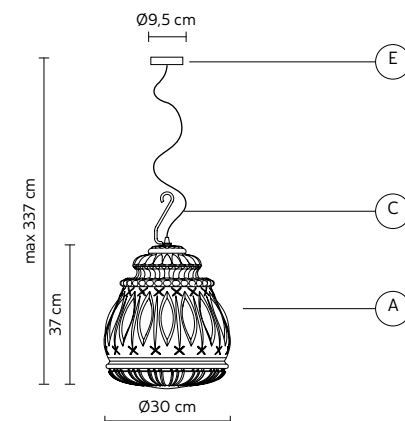
2015

A - LAMPSHADE *paralume*pale yellow glass - *vetro paglierino* **SE116 6A EXT**smoked glass - *vetro fumè* **SE116 6F EXT****E - CEILING CUP** *rosone*matt black metal - *metallo nero opaco***C - ELECTRICAL CABLE** *cavo elettrico*black 3 meters - *3 metri nero***ELECTRICAL SYSTEM** *dispositivo elettrico*

E27, 1x max 52W

OPTIONAL *accessorio*bulb not provided - *lampadina non inclusa***PACKAGING** *imballo*

50x50x50 cm

NET WEIGHT *peso netto* 3,6 KG**GROSS WEIGHT** *peso lordo* 5,6 KG

GONZAGA pendant - sospensione **SE185 FD EXT** INDOOR/OUTDOOR - **3000K**
SE185 GD EXT INDOOR/OUTDOOR - **2700K**
SE185 FC EXT INDOOR/OUTDOOR - **3000K**
SE185 GC EXT INDOOR/OUTDOOR - **2700K**

€ 805,00 vat not incl

Matteo Ugolini, Luca De Bona, Dario De Meo design

2019

A - LAMP *corpo lampada* matt white aluminum - alluminio bianco opaco **SE185FD/SE185GD**
matt black aluminum - alluminio nero opaco **SE185FC/SE185GC**

E - CEILING CUP *rosone* matt black metal - metallo nero opaco

F - SUSPENSION CABLE *fune di sospensione* steel 2 meters - acciaio 2 metri







C - ELECTRICAL CABLE *cavo elettrico* black 2 meters - 2 metri nero

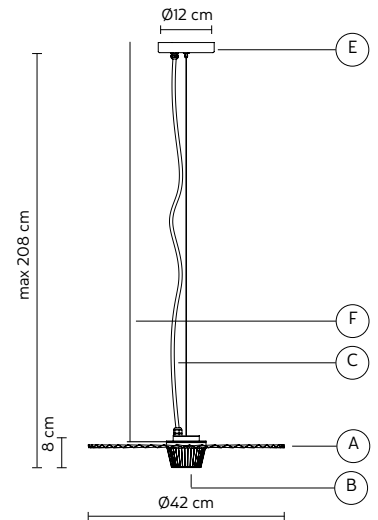
B - DIFFUSOR *diffusore* transparent pleated glass - vetro plissettato trasparente

ELECTRICAL SYSTEM *dispositivo elettrico* *LED 220V, 13W, 1200lm, CRI≥80

PACKAGING *imballo* 67x73x19 cm

NET WEIGHT *peso netto* 1,9 KG **GROSS WEIGHT** *peso lordo* 3,6 KG

*(cut phase dimmable - dimmerabile taglio di fase) IP65      



GONZAGA pendant - sospensione **SE185 DC EXT** INDOOR/OUTDOOR - **3000K**
SE185 DD EXT INDOOR/OUTDOOR - **2700K**

€ 925,00 vat not incl

Matteo Ugolini, Luca De Bona, Dario De Meo design

2019

A - LAMP *corpo lampada* brass-colored aluminum - alluminio color ottone

E - CEILING CUP *rosone* matt black metal - metallo nero opaco

F - SUSPENSION CABLE *fune di sospensione* steel 2 meters - acciaio 2 metri







C - ELECTRICAL CABLE *cavo elettrico* black 2 meters - 2 metri nero

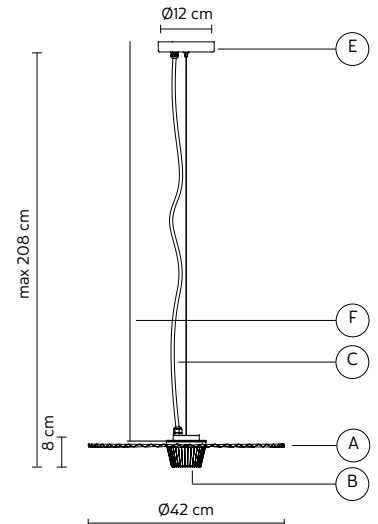
ELECTRICAL SYSTEM *dispositivo elettrico* *LED 220V, 13W, 1200lm, CRI≥80

B - DIFFUSOR *diffusore* transparent pleated glass - vetro plissettato trasparente

PACKAGING *imballo* 67x73x19 cm

NET WEIGHT *peso netto* 1,9 KG **GROSS WEIGHT** *peso lordo* 3,6 KG

*(cut phase dimmable - dimmerabile taglio di fase) IP65      



GONZAGA pendant - sospensione **SE185 BD EXT** INDOOR/OUTDOOR - **3000K**
SE185 ED EXT INDOOR/OUTDOOR - **2700K**
SE185 BC EXT INDOOR/OUTDOOR - **3000K**
SE185 EC EXT INDOOR/OUTDOOR - **2700K**

€ 835,00 vat not incl

Matteo Ugolini, Luca De Bona, Dario De Meo design

2019

A - LAMP *corpo lampada* matt white aluminum - alluminio bianco opaco **SE185BD/SE185ED**
matt black aluminum - alluminio nero opaco **SE185BC/SE185EC**

E - CEILING CUP *rosone* matt black metal - metallo nero opaco

F - SUSPENSION CABLE *fune di sospensione* steel 2 meters - acciaio 2 metri





C - ELECTRICAL CABLE *cavo elettrico* black 2 meters - 2 metri nero

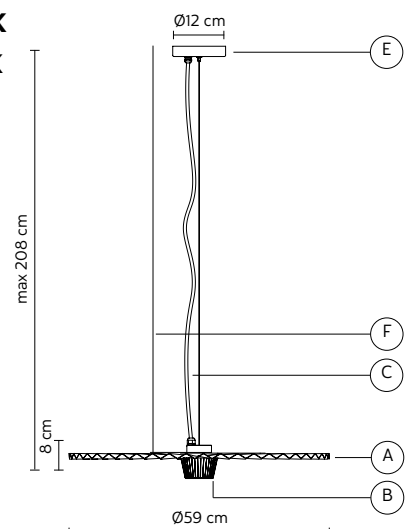
B - DIFFUSOR *diffusore* transparent pleated glass - vetro plissettato trasparente

ELECTRICAL SYSTEM *dispositivo elettrico* *LED 220V, 13W, 1200lm, CRI≥80

PACKAGING *imballo* 67x73x19 cm

NET WEIGHT *peso netto* 3,3 KG **GROSS WEIGHT** *peso lordo* 5,1 KG

*(cut phase dimmable - dimmerabile taglio di fase) IP65      



GONZAGA pendant - sospensione **SE185 CC EXT** INDOOR/OUTDOOR - **3000K**
SE185 CD EXT INDOOR/OUTDOOR - **2700K**

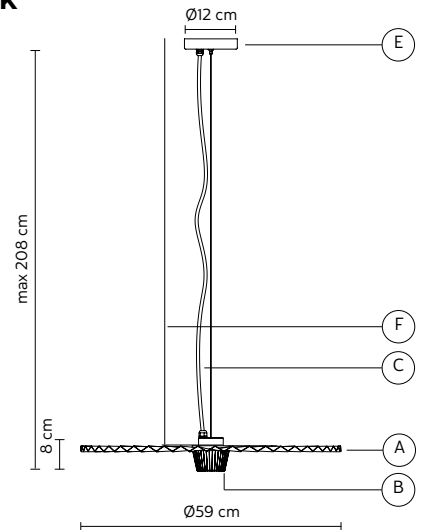
Matteo Ugolini, Luca De Bona, Dario De Meo design

2019

€ 1.040,00 vat not incl

A - LAMP <i>corpo lampada</i>	brass-colored aluminum - <i>alluminio color ottone</i>
E - CEILING CUP <i>rosone</i>	matt black metal - <i>metallo nero opaco</i>
F - SUSPENSION CABLE <i>fune di sospensione</i>	steel 2 meters - <i>acciaio 2 metri</i>
C - ELECTRICAL CABLE <i>cavo elettrico</i>	black 2 meters - <i>2 metri nero</i>
ELECTRICAL SYSTEM <i>dispositivo elettrico</i>	*LED 220V, 13W, 1200lm, CRI≥80
B - DIFFUSOR <i>diffusore</i>	transparent pleated glass - <i>vetro plissettato trasparente</i>
PACKAGING <i>imballo</i>	67x73x19 cm
NET WEIGHT <i>peso netto</i> 3,3 KG	GROSS WEIGHT <i>peso lordo</i> 5,1 KG

*(cut phase dimmable - dimmerabile taglio di fase)



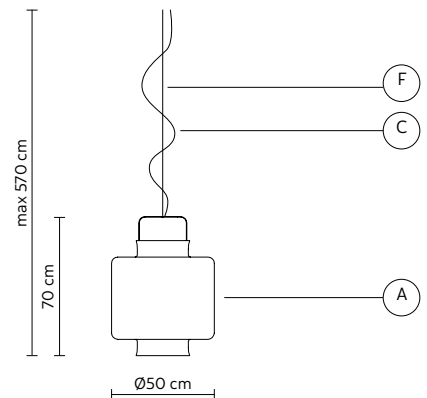
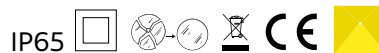
KIMONO pendant - sospensione **SE635V-EXT** OUTDOOR

Matteo Ugolini design

2012

€ 1.100,00 vat not incl

A - LAMPSHADE <i>paralume</i>	white fiberglass - <i>vetroresina bianca</i>
F - SUSPENSION CABLE <i>fune di sospensione</i>	steel 2 meters - <i>acciaio 2 metri</i>
C - ELECTRICAL CABLE <i>cavo elettrico</i>	green 5 meters - <i>5 metri verde</i>
ELECTRICAL SYSTEM <i>dispositivo elettrico</i>	E27, 1x max 23W
OPTIONAL <i>accessorio</i>	bulbs equipped - <i>lampadine incluse</i> ceiling cup - <i>rosone</i> SRO26 2B EXT pag.139
BULBS <i>lampadine</i>	1x E27 led, 10W, 900lm, 2700K
PACKAGING <i>imballo</i>	63x63x67 cm
NET WEIGHT <i>peso netto</i> 5 KG	GROSS WEIGHT <i>peso lordo</i> 8,2 KG



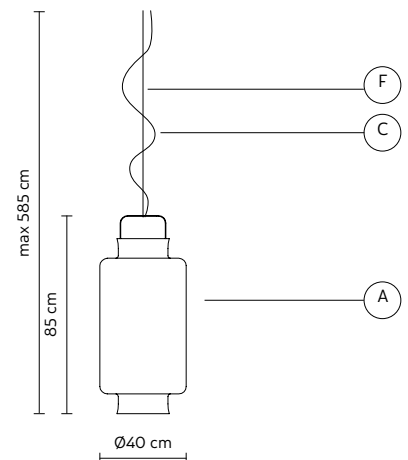
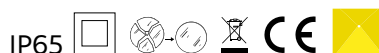
KIMONO pendant - sospensione **SE636V-EXT** OUTDOOR

Matteo Ugolini design

2012

€ 1.100,00 vat not incl

A - LAMPSHADE <i>paralume</i>	white fiberglass - <i>vetroresina bianca</i>
F - SUSPENSION CABLE <i>fune di sospensione</i>	steel 2 meters - <i>acciaio 2 metri</i>
C - ELECTRICAL CABLE <i>cavo elettrico</i>	green 5 meters - <i>5 metri verde</i>
ELECTRICAL SYSTEM <i>dispositivo elettrico</i>	E27, 1x max 23W
OPTIONAL <i>accessorio</i>	bulbs equipped - <i>lampadine incluse</i> ceiling cup - <i>rosone</i> SRO26 2B EXT pag.139
BULBS <i>lampadine</i>	1x E27 led, 10W, 900lm, 2700K
PACKAGING <i>imballo</i>	39x40x102 cm
NET WEIGHT <i>peso netto</i> 4 KG	GROSS WEIGHT <i>peso lordo</i> 7 KG



LADY D floor lamp - lampada da terra

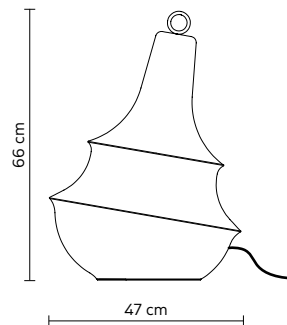
Matteo Ugolini design

HP304PB EXT OUTDOOR

NEWS 2023

€ 1.140,00 vat not incl**A - LAMP** *corpo lampada* matt white fiberglass - vetroresina bianco opaco**C - ELECTRICAL CABLE** *cavo elettrico* black 5 meters - 5 metri nero**ELECTRICAL SYSTEM** *dispositivo elettrico* E27, 1x max 18W LED**OPTIONAL** *accessorio* bulb not provided - lampadina non inclusa**PACKAGING** *imballo* 60x60x70 cm**NET WEIGHT** *peso netto* 4,4 KG **GROSS WEIGHT** *peso lordo* 6,9 KG

IP55

**LADY D** floor lamp - lampada da terra

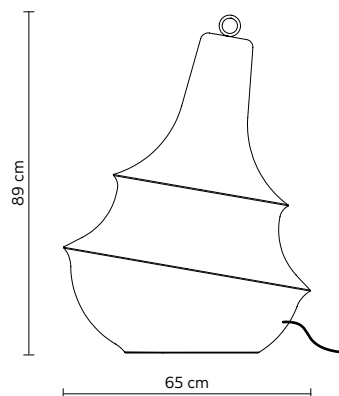
Matteo Ugolini design

HP304GB EXT OUTDOOR

NEWS 2023

€ 1.610,00 vat not incl**A - LAMP** *corpo lampada* matt white fiberglass - vetroresina bianco opaco**C - ELECTRICAL CABLE** *cavo elettrico* black 5 meters - 5 metri nero**ELECTRICAL SYSTEM** *dispositivo elettrico* E27, 1x max 18W LED**OPTIONAL** *accessorio* bulb not provided - lampadina non inclusa**PACKAGING** *imballo* 70x70x80 cm**NET WEIGHT** *peso netto* 7,5 KG **GROSS WEIGHT** *peso lordo* 9,8 KG

IP55

**LADY D** pendant - sospensione

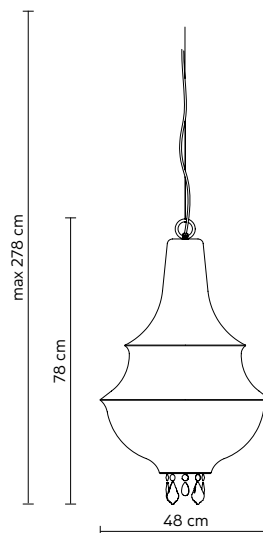
Matteo Ugolini design

SE304PB EXT OUTDOOR

NEWS 2023

€ 1.110,00 vat not incl**A - LAMP** *corpo lampada* matt white fiberglass - vetroresina bianco opaco**F - SUSPENSION CABLE** *fune di sospensione* steel 2 meters - acciaio 2 metri**C - ELECTRICAL CABLE** *cavo elettrico* black 5 meters - 5 metri nero**ELECTRICAL SYSTEM** *dispositivo elettrico* E27, 1x max 18W LED**OPTIONAL** *accessorio* bulb not provided - lampadina non inclusa**PACKAGING** *imballo* 60x60x70 cm**NET WEIGHT** *peso netto* 3,8 KG **GROSS WEIGHT** *peso lordo* 5,5 KG

IP55

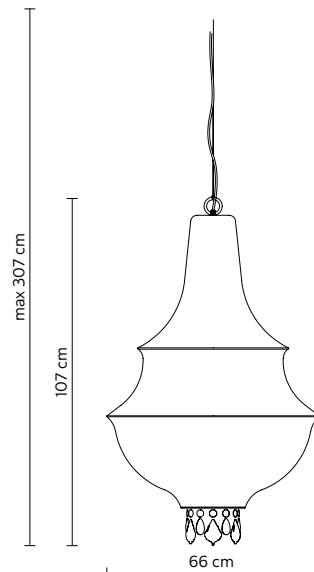


LADY D pendant - sospensione

Matteo Ugolini design

SE304GB EXT OUTDOOR

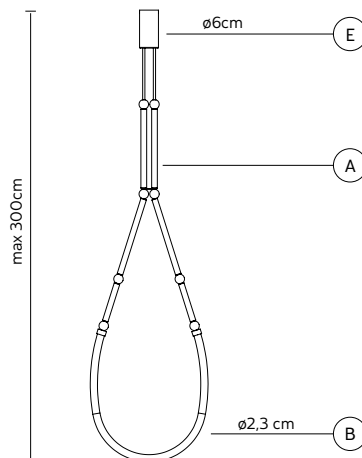
NEWS 2023

€ 1.550,00 vat not incl**A - LAMP** *corpo lampada* matt white fiberglass - vetroresina bianco opaco**F - SUSPENSION CABLE** *fune di sospensione* steel 2 meters - acciaio 2 metri**C - ELECTRICAL CABLE** *cavo elettrico* black 5 meters - 5 metri nero**ELECTRICAL SYSTEM** *dispositivo elettrico* E27, 1x max 18W LED**OPTIONAL** *accessorio* bulb not provided - lampadina non inclusa**PACKAGING** *imballo* 70x70x80 cm**NET WEIGHT** *peso netto* 6,5 KG **GROSS WEIGHT** *peso lordo* 8,5 KG**LEDA** pendant - sospensione

Luca De Bona & Dario De Meo design

SE293 AN EXT OUTDOOR**SE293 AO EXT** OUTDOOR

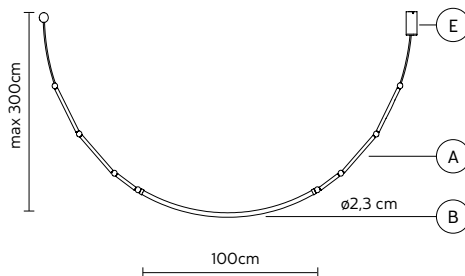
2022

€ 890,00 vat not incl**A - LAMP** *corpo lampada* matt black aluminum - alluminio nero opaco **SE293AN EXT**matt bronze aluminum - alluminio bronzo opaco **SE293AO EXT****B - SHADE** *diffusore* matt white silicone - silicone bianco opaco**C - ELECTRICAL CABLE** *cavo elettrico* black 3+3 meters - 3+3 metri nero**E - CEILING CUP** *rosone* matt black metal - metallo nero opaco**ELECTRICAL SYSTEM** *dispositivo elettrico* LED 24V, 14,4W, 922 lm, 3000K, CRI≥90**OPTIONAL** *accessorio* power supply equipped - alimentatore incluso**PACKAGING** *imballo* 45x45x10 cm**NET WEIGHT** *peso netto* 1,6 KG **GROSS WEIGHT** *peso lordo* 2,6 KG**LEDA** pendant - sospensione

Luca De Bona & Dario De Meo design

SE293 BN EXT OUTDOOR**SE293 BO EXT** OUTDOOR

2022

€ 955,00 vat not incl**A - LAMP** *corpo lampada* matt black aluminum - alluminio nero opaco **SE293BN EXT**matt bronze aluminum - alluminio bronzo opaco **SE293BO EXT****B - SHADE** *diffusore* matt white silicone - silicone bianco opaco**C - ELECTRICAL CABLE** *cavo elettrico* black 3+3 meters - 3+3 metri nero**E - CEILING CUP** *rosone* matt black metal - metallo nero opaco**ELECTRICAL SYSTEM** *dispositivo elettrico* LED 24V, 14,4W, 922 lm, 3000K, CRI≥90**OPTIONAL** *accessorio* power supply equipped - alimentatore incluso**PACKAGING** *imballo* 45x45x10 cm**NET WEIGHT** *peso netto* 1,8 KG **GROSS WEIGHT** *peso lordo* 2,8 KG

LEDA element for composition

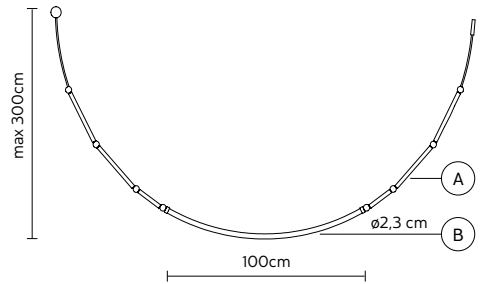
SE293 N1 EXT OUTDOOR
SE293 O1 EXT OUTDOOR

€ 805,00 vat not incl

Luca De Bona & Dario De Meo design

2022

A - LAMP <i>corpo lampada</i>	matt black aluminum - <i>alluminio nero opaco</i> SE293N1 EXT matt bronze aluminum - <i>alluminio bronzo opaco</i> SE293O1 EXT
B - SHADE <i>diffusore</i>	matt white silicone - <i>silicone bianca opaca</i>
C - ELECTRICAL CABLE <i>cavo elettrico</i>	black 3+3 meters - <i>3+3 metri nero</i>
ELECTRICAL SYSTEM <i>dispositivo elettrico</i>	LED 24V, 14,4W, 922 lm, 3000K, CRI≥90
OPTIONAL <i>accessorio</i>	20W power supply - <i>alimentatore</i> AC293AL EXT 65€
PACKAGING <i>imballo</i>	45x45x10 cm
NET WEIGHT <i>peso netto</i> 1,4 KG	GROSS WEIGHT <i>peso lordo</i> 2,5 KG



IP65     

BEWARE: Extra low voltage lamp, power supply necessary

ATTENZIONE: Lampada bassissima tensione, necessario alimentatore

MOBY DICK pendant - sospensione

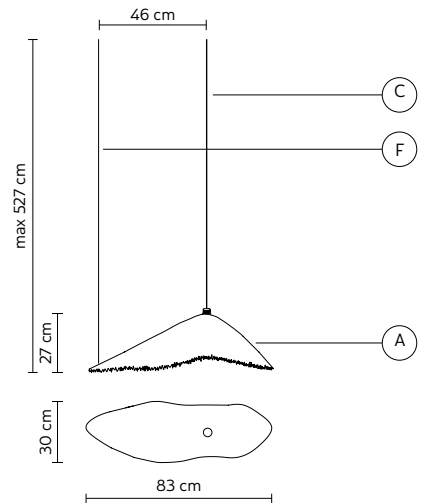
SE646P-EXT OUTDOOR

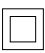





€ 970,00 vat not incl

Matteo Ugolini design

2013

A - LAMPSHADE <i>paralume</i>	white fiberglass - <i>vetrosina bianca</i>
F - SUSPENSION CABLE <i>fune di sospensione</i>	steel 2 meters - <i>acciaio 2 metri</i>
C - ELECTRICAL CABLE <i>cavo elettrico</i>	green 5 meters - <i>5 metri verde</i>
ELECTRICAL SYSTEM <i>dispositivo elettrico</i>	E27, 1x max 20W
OPTIONAL <i>accessorio</i>	bulbs equipped - <i>lampadine incluse</i> ceiling cup - <i>rosone</i> SR010 2B EXT pag.139
BULBS <i>lampadine</i>	1x E27 led, 10W, 900lm, 2700K
PACKAGING <i>imballo</i>	43x43x82 cm
NET WEIGHT <i>peso netto</i> 2,2 KG	GROSS WEIGHT <i>peso lordo</i> 3,8 KG



IP44      

MOBY DICK pendant - sospensione

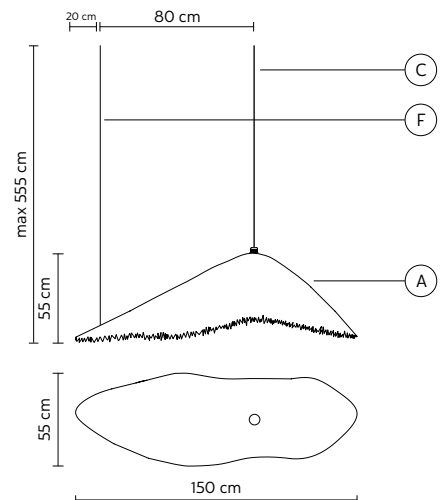
SE647G-EXT OUTDOOR

€ 1.160,00 vat not incl

Matteo Ugolini design

2013

A - LAMPSHADE <i>paralume</i>	white fiberglass - <i>vetrosina bianca</i>
F - SUSPENSION CABLE <i>fune di sospensione</i>	steel 2 meters - <i>acciaio 2 metri</i>
C - ELECTRICAL CABLE <i>cavo elettrico</i>	green 5 meters - <i>5 metri verde</i>
ELECTRICAL SYSTEM <i>dispositivo elettrico</i>	E27, 1x max 20W
OPTIONAL <i>accessorio</i>	bulbs equipped - <i>lampadine incluse</i> ceiling cup - <i>rosone</i> SR010 2B EXT pag.139
BULBS <i>lampadine</i>	1x E27 led, 10W, 900lm, 2700K
PACKAGING <i>imballo</i>	74x62x138 cm
NET WEIGHT <i>peso netto</i> 4,5 KG	GROSS WEIGHT <i>peso lordo</i> 7,3 KG



IP44      

MOVIDA wall lamp - applique

AP262 BC EXT INDOOR/OUTDOOR - **3000K**

€ **405,00** vat not incl

AP262 BE EXT INDOOR/OUTDOOR - **2700K**

Matteo Ugolini & Edmondo Testaguzza design

2021

A - LAMP *corpo lampada*

matt white aluminum - *alluminio bianco opaco*

ELECTRICAL SYSTEM *dispositivo elettrico*

LED CC, 6,4W*, 820 lm, 350 mA, CRI≥90

OPTIONAL *accessorio*

power supply equipped - *alimentatore incluso*

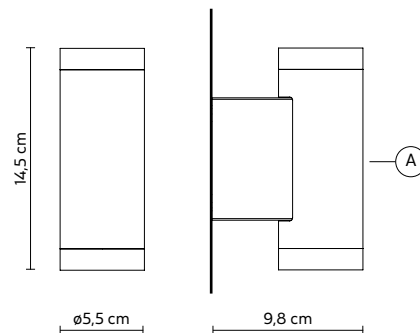
PACKAGING *imballo*

21x21x20 cm

NET WEIGHT *peso netto* 0,9 KG

GROSS WEIGHT *peso lordo* 1,6 KG

*(3,2W top + 3,2W bottom)



MOVIDA wall lamp - applique

AP262 NR EXT INDOOR/OUTDOOR - **3000K**

€ **405,00** vat not incl

AP262 NP EXT INDOOR/OUTDOOR - **2700K**

Matteo Ugolini & Edmondo Testaguzza design

2021

A - LAMP *corpo lampada*

matt black aluminum - *alluminio nero opaco*

ELECTRICAL SYSTEM *dispositivo elettrico*

LED CC, 6,4W*, 820 lm, 350 mA, CRI≥90

OPTIONAL *accessorio*

power supply equipped - *alimentatore incluso*

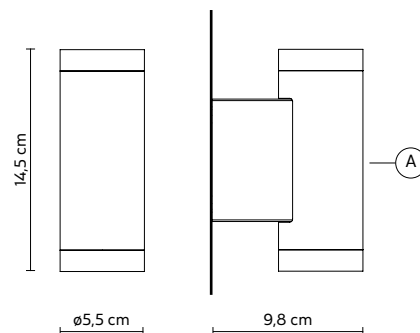
PACKAGING *imballo*

21x21x20 cm

NET WEIGHT *peso netto* 0,9 KG

GROSS WEIGHT *peso lordo* 1,6 KG

*(3,2W top + 3,2W bottom)



MOVIDA optional - accessorio

AC262 BN EXT INDOOR/OUTDOOR

€ **77,00** vat not incl

Matteo Ugolini & Edmondo Testaguzza design

2021

A - DEFLECTOR *deflettore*

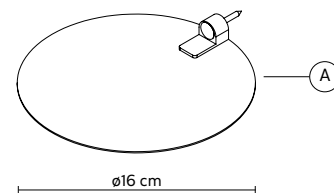
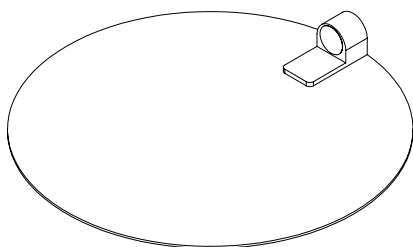
matt white aluminum - *alluminio bianco opaco*

PACKAGING *imballo*

21x21x20 cm

NET WEIGHT *peso netto* 0,1 KG

GROSS WEIGHT *peso lordo* 0,5 KG



NILO floor lamp - piantana

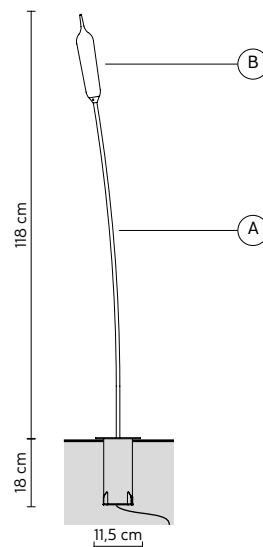
Matteo Ugolini design

HP211 AN EXT OUTDOOR

2020

€ 485,00 vat not incl**A - LAMP** *corpo lampada* matt black aluminum - alluminio nero opaco**B - SHADE** *diffusore* white resin - resina bianca**C - ELECTRICAL CABLE** *cavo elettrico* black 20 cm - 20 cm nero**ELECTRICAL SYSTEM** *dispositivo elettrico* LED CC 350mA, 3,2W, 410 lm, 2700K, CRI≥90**OPTIONAL** *accessorio* 4W power supply - alimentatore **AC211A1 EXT 11€**18W power supply - alimentatore **AC211A2 EXT 24€****PACKAGING** *imballo* 15x20x160 cm**NET WEIGHT** *peso netto* 1 KG **GROSS WEIGHT** *peso lordo* 2,3 KG

BEWARE: Extra low voltage lamp, power supply necessary
ATTENZIONE: Lampada bassissima tensione, necessario alimentatore

**NILO** floor lamp - piantana

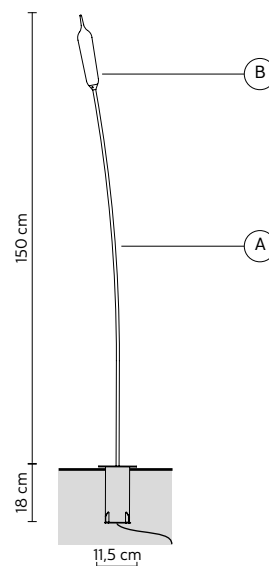
Matteo Ugolini design

HP211 BN EXT OUTDOOR

2020

€ 495,00 vat not incl**A - LAMP** *corpo lampada* matt black aluminum - alluminio nero opaco**B - SHADE** *diffusore* white resin - resina bianca**C - ELECTRICAL CABLE** *cavo elettrico* black 20 cm - 20 cm nero**ELECTRICAL SYSTEM** *dispositivo elettrico* LED CC 350mA, 3,2W, 410 lm, 2700K, CRI≥90**OPTIONAL** *accessorio* 4W power supply - alimentatore **AC211A1 EXT 11€**18W power supply - alimentatore **AC211A2 EXT 24€****PACKAGING** *imballo* 15x20x160 cm**NET WEIGHT** *peso netto* 1,1 KG **GROSS WEIGHT** *peso lordo* 2,4 KG

BEWARE: Extra low voltage lamp, power supply necessary
ATTENZIONE: Lampada bassissima tensione, necessario alimentatore

**NILO** floor lamp - piantana

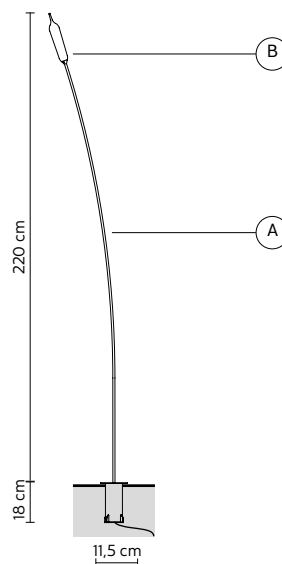
Matteo Ugolini design

HP211 CN EXT OUTDOOR

2020

€ 505,00 vat not incl**A - LAMP** *corpo lampada* matt black aluminum - alluminio nero opaco**B - SHADE** *diffusore* white resin - resina bianca**C - ELECTRICAL CABLE** *cavo elettrico* black 20 cm - 20 cm nero**ELECTRICAL SYSTEM** *dispositivo elettrico* LED CC 350mA, 3,2W, 410 lm, 2700K, CRI≥90**OPTIONAL** *accessorio* 4W power supply - alimentatore **AC211A1 EXT 11€**18W power supply - alimentatore **AC211A2 EXT 24€****PACKAGING** *imballo* 15x20x220 cm**NET WEIGHT** *peso netto* 1,2 KG **GROSS WEIGHT** *peso lordo* 2,6 KG

BEWARE: Extra low voltage lamp, power supply necessary
ATTENZIONE: Lampada bassissima tensione, necessario alimentatore

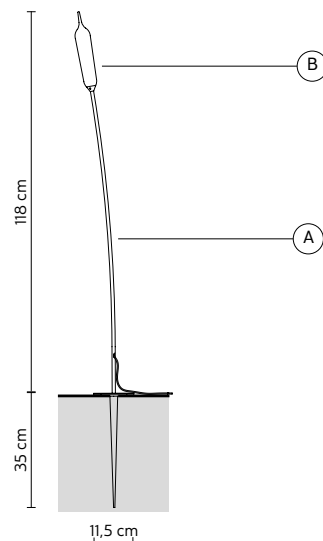


NILO floor lamp - piantana

Matteo Ugolini design

HP211 DN EXT OUTDOOR

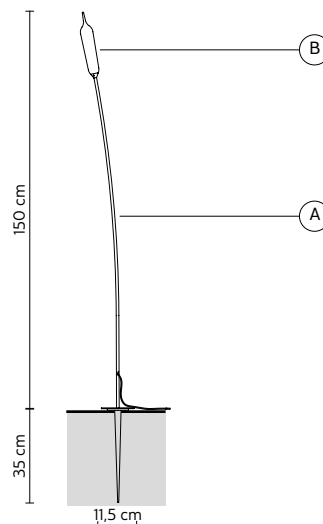
2020

€ 440,00 vat not incl**A - LAMP** *corpo lampada* matt black aluminum - alluminio nero opaco**B - SHADE** *diffusore* white resin - resina bianca**C - ELECTRICAL CABLE** *cavo elettrico* black 5 meters - 5 metri nero**ELECTRICAL SYSTEM** *dispositivo elettrico* LED CC 350mA, 3,2W, 410 lm, 2700K, CRI≥90**OPTIONAL accessorio** 4W power supply - alimentatore **AC211A1 EXT 11€**
18W power supply - alimentatore **AC211A2 EXT 24€****PACKAGING** *imballo* 15x20x160 cm**NET WEIGHT** *peso netto* 0,8 KG **GROSS WEIGHT** *peso lordo* 2,1 KG**BEWARE:** Extra low voltage lamp, power supply necessary
ATTENZIONE: Lampada bassissima tensione, necessario alimentatore**NILO** floor lamp - piantana

Matteo Ugolini design

HP211 EN EXT OUTDOOR

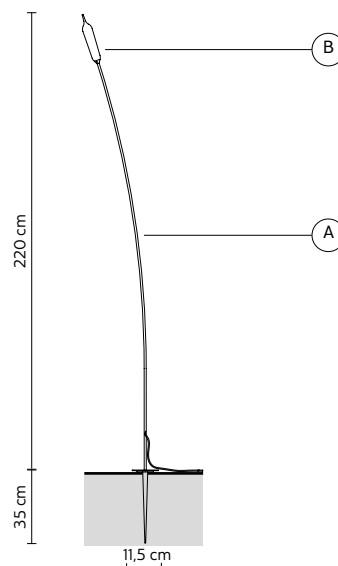
2020

€ 450,00 vat not incl**A - LAMP** *corpo lampada* matt black aluminum - alluminio nero opaco**B - SHADE** *diffusore* white resin - resina bianca**C - ELECTRICAL CABLE** *cavo elettrico* black 5 meters - 5 metri nero**ELECTRICAL SYSTEM** *dispositivo elettrico* LED CC 350mA, 3,2W, 410 lm, 2700K, CRI≥90**OPTIONAL accessorio** 4W power supply - alimentatore **AC211A1 EXT 11€**
18W power supply - alimentatore **AC211A2 EXT 24€****PACKAGING** *imballo* 15x20x160 cm**NET WEIGHT** *peso netto* 0,9 KG **GROSS WEIGHT** *peso lordo* 2,2 KG**BEWARE:** Extra low voltage lamp, power supply necessary
ATTENZIONE: Lampada bassissima tensione, necessario alimentatore**NILO** floor lamp - piantana

Matteo Ugolini design

HP211 FN EXT OUTDOOR

2020

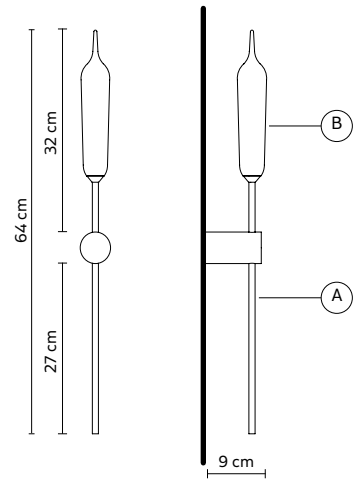
€ 460,00 vat not incl**A - LAMP** *corpo lampada* matt black aluminum - alluminio nero opaco**B - SHADE** *diffusore* white resin - resina bianca**C - ELECTRICAL CABLE** *cavo elettrico* black 5 meters - 5 metri nero**ELECTRICAL SYSTEM** *dispositivo elettrico* LED CC 350mA, 3,2W, 410 lm, 2700K, CRI≥90**OPTIONAL accessorio** 4W power supply - alimentatore **AC211A1 EXT 11€**
18W power supply - alimentatore **AC211A2 EXT 24€****PACKAGING** *imballo* 15x20x220 cm**NET WEIGHT** *peso netto* 1 KG **GROSS WEIGHT** *peso lordo* 2,4 KG**BEWARE:** Extra low voltage lamp, power supply necessary
ATTENZIONE: Lampada bassissima tensione, necessario alimentatore

NILO wall lamp - applique

Matteo Ugolini design

AP211 PN EXT OUTDOOR

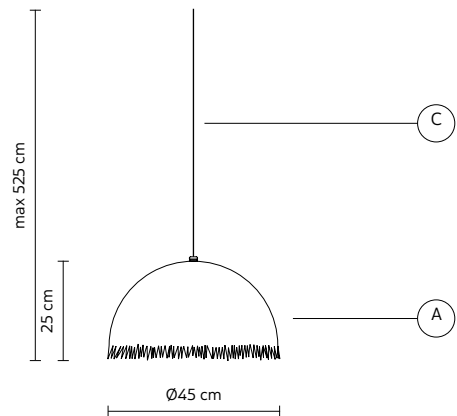
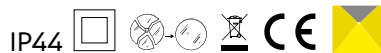
anno 2020

€ 450,00 vat not incl**A - LAMP** *corpo lampada* matt black aluminum - alluminio nero opaco**B - SHADE** *diffusore* white resin - resina bianca**ELECTRICAL SYSTEM** *dispositivo elettrico* LED CC 350mA, 3,2W, 410 lm, 2700K, CRI≥90**OPTIONAL** *accessorio* power supply equipped - alimentatore incluso**PACKAGING** *imballo* 28x28x53 cm**NET WEIGHT** *peso netto* 0,5 KG **GROSS WEIGHT** *peso lordo* 1,1 KG**PLANCTON** pendant - sospensione

Matteo Ugolini design

SE648/1PB-EXT OUTDOOR

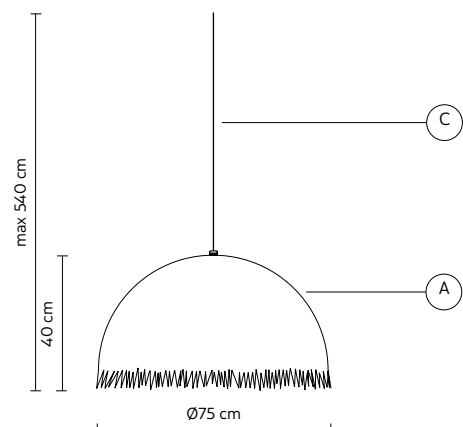
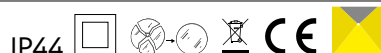
2013

€ 745,00 vat not incl**A - LAMPSHADE** *paralume* white fiberglass - vetroresina bianca**C - ELECTRICAL CABLE** *cavo elettrico* green 5 meters - 5 metri verde**ELECTRICAL SYSTEM** *dispositivo elettrico* E27, 1x max 20W**OPTIONAL** *accessorio* bulbs equipped - lampadine incluse
ceiling cup - rosone **SR010 2B EXT** pag.139**BULBS** *lampadine* 1x E27 led, 10W, 900lm, 2700K**PACKAGING** *imballo* 50x50x70 cm**NET WEIGHT** *peso netto* 1,5 KG **GROSS WEIGHT** *peso lordo* 3,6 KG**PLANCTON** pendant - sospensione

Matteo Ugolini design

SE649/1GB-EXT OUTDOOR

2013

€ 945,00 vat not incl**A - LAMPSHADE** *paralume* white fiberglass - vetroresina bianca**C - ELECTRICAL CABLE** *cavo elettrico* green 5 meters - 5 metri verde**ELECTRICAL SYSTEM** *dispositivo elettrico* E27, 1x max 20W**OPTIONAL** *accessorio* bulbs equipped - lampadine incluse
ceiling cup - rosone **SR010 2B EXT** pag.139**BULBS** *lampadine* 1x E27 led, 10W, 900lm, 2700K**PACKAGING** *imballo* 90x90x93 cm**NET WEIGHT** *peso netto* 2,3 KG **GROSS WEIGHT** *peso lordo* 5,5 KG

POIS floor lamp - piantana

Matteo Ugolini design

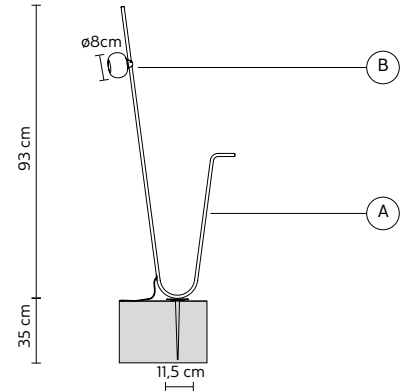
HP292 AN EXT OUTDOOR

2022

€ 450,00 vat not incl

A - LAMP *corpo lampada* matt black aluminum - alluminio nero opaco**B - SHADE** *diffusore* white resin - resina bianca**C - ELECTRICAL CABLE** *cavo elettrico* black 5 meters - 5 metri nero**ELECTRICAL SYSTEM** *dispositivo elettrico* LED CC 350mA, 3,2W, 410 lm, 3000K, CRI≥90**OPTIONAL** *accessorio* 4W power supply - alimentatore **AC211A1 EXT 11€**
18W power supply - alimentatore **AC211A2 EXT 24€****PACKAGING** *imballo* 20x60x140 cm**NET WEIGHT** *peso netto* 1,2 KG **GROSS WEIGHT** *peso lordo* 3,0 KG

BEWARE: Extra low voltage lamp, power supply necessary
ATTENZIONE: Lampada bassissima tensione, necessario alimentatore

**POIS** floor lamp - piantana

Matteo Ugolini design

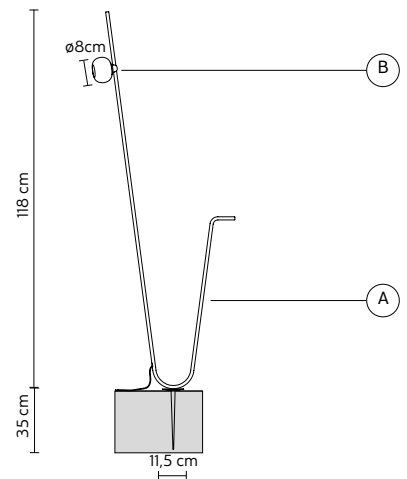
HP292 BN EXT OUTDOOR

2022

€ 460,00 vat not incl

A - LAMP *corpo lampada* matt black aluminum - alluminio nero opaco**B - SHADE** *diffusore* white resin - resina bianca**C - ELECTRICAL CABLE** *cavo elettrico* black 5 meters - 5 metri nero**ELECTRICAL SYSTEM** *dispositivo elettrico* LED CC 350mA, 3,2W, 410 lm, 3000K, CRI≥90**OPTIONAL** *accessorio* 4W power supply - alimentatore **AC211A1 EXT 11€**
18W power supply - alimentatore **AC211A2 EXT 24€****PACKAGING** *imballo* 20x60x140 cm**NET WEIGHT** *peso netto* 1,3 KG **GROSS WEIGHT** *peso lordo* 3,3 KG

BEWARE: Extra low voltage lamp, power supply necessary
ATTENZIONE: Lampada bassissima tensione, necessario alimentatore

**POIS** floor lamp - piantana

Matteo Ugolini design

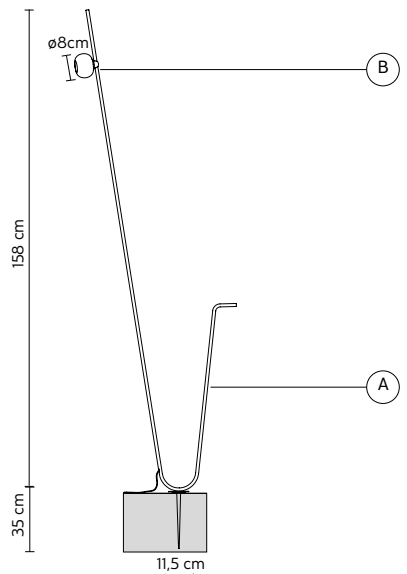
HP292 CN EXT OUTDOOR

2022ww

€ 470,00 vat not incl

A - LAMP *corpo lampada* matt black aluminum - alluminio nero opaco**B - SHADE** *diffusore* white resin - resina bianca**C - ELECTRICAL CABLE** *cavo elettrico* black 5 meters - 5 metri nero**ELECTRICAL SYSTEM** *dispositivo elettrico* LED CC 350mA, 3,2W, 410 lm, 3000K, CRI≥90**OPTIONAL** *accessorio* 4W power supply - alimentatore **AC211A1 EXT 11€**
18W power supply - alimentatore **AC211A2 EXT 24€****PACKAGING** *imballo* 20x60x180 cm**NET WEIGHT** *peso netto* 1,4 KG **GROSS WEIGHT** *peso lordo* 3,4 KG

BEWARE: Extra low voltage lamp, power supply necessary
ATTENZIONE: Lampada bassissima tensione, necessario alimentatore



TOBIA floor lamp - piantana

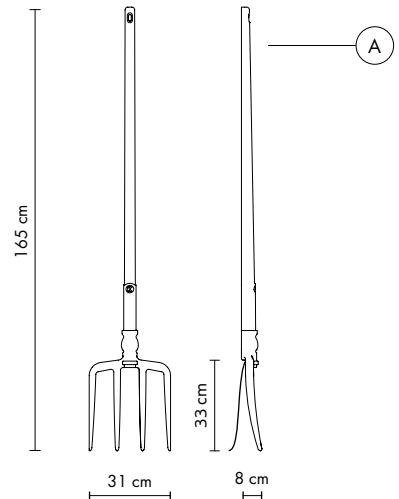
Matteo Ugolini design

HP145 1F EXT OUTDOOR

2017

€ 735,00 vat not incl**A - LAMPSHADE** *paralume* matt white technopolymer - *tecnopolimero bianca opaca***C - ELECTRICAL CABLE** *cavo elettrico* black 5 meters - *5 metri nero***OPTIONAL** *accessorio* wall hook - *gancio a parete* **AC145 4A INT** pag. 131
pedestal - *pedistallo* **AC145 5A INT** pag. 131**ELECTRICAL SYSTEM** *dispositivo elettrico* LED 220V, 13W*, 1430 lm, 3000K, CRI≥80**PACKAGING** *imballo* 18x50x190 cm**NET WEIGHT** *peso netto* 3,6 KG **GROSS WEIGHT** *peso lordo* 7,5 KG

*(cut phase dimmable - dimmerabile taglio di fase)

IP65    **TOBIA** floor lamp - piantana

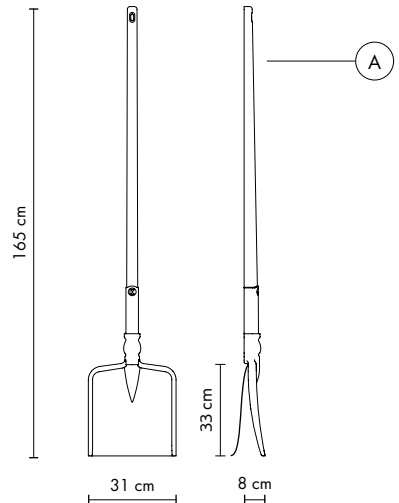
Matteo Ugolini design

HP145 2P EXT OUTDOOR

2017

€ 735,00 vat not incl**A - LAMPSHADE** *paralume* matt white technopolymer - *tecnopolimero bianca opaca***C - ELECTRICAL CABLE** *cavo elettrico* black 5 meters - *5 metri nero***OPTIONAL** *accessorio* wall hook - *gancio a parete* **AC145 4A INT** pag. 131
pedestal - *pedistallo* **AC145 5A INT** pag. 131**ELECTRICAL SYSTEM** *dispositivo elettrico* LED 220V, 13W*, 1430 lm, 3000K, CRI≥80**PACKAGING** *imballo* 18x50x190 cm**NET WEIGHT** *peso netto* 4,3 KG **GROSS WEIGHT** *peso lordo* 8,2 KG

*(cut phase dimmable - dimmerabile taglio di fase)

IP65    **TOBIA** floor lamp - piantana

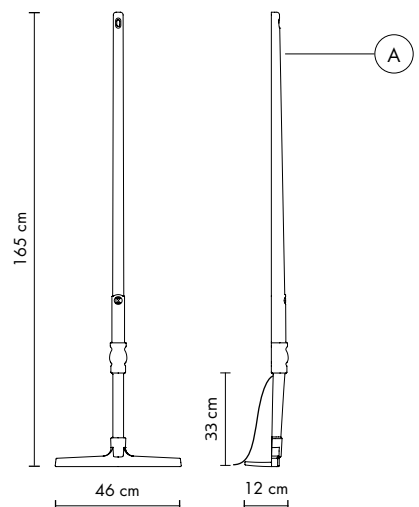
Matteo Ugolini design

HP145 3R EXT OUTDOOR

2017

€ 735,00 vat not incl**A - LAMPSHADE** *paralume* matt white technopolymer - *tecnopolimero bianca opaca***C - ELECTRICAL CABLE** *cavo elettrico* black 5 meters - *5 metri nero***OPTIONAL** *accessorio* wall hook - *gancio a parete* **AC145 4A INT** pag. 131
pedestal - *pedistallo* **AC145 5A INT** pag. 131**ELECTRICAL SYSTEM** *dispositivo elettrico* LED 220V, 13W*, 1430 lm, 3000K, CRI≥80**PACKAGING** *imballo* 18x50x190 cm**NET WEIGHT** *peso netto* 4 KG **GROSS WEIGHT** *peso lordo* 7,8 KG

*(cut phase dimmable - dimmerabile taglio di fase)

IP65    

TOBIA wall hook - *gancio a parete*

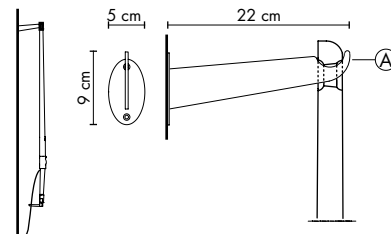
Matteo Ugolini design

AC145 4A INT OUTDOOR

2017

€ 85,00 vat not incl**A - HOOK** *gancio a parete*brushed steel - *acciaio spazzolato***PACKAGING** *imballo*

21x21x20 cm

NET WEIGHT *peso netto* 0,3 KG**GROSS WEIGHT** *peso lordo* 1,5 KG**TOBIA** pedestal - *pedistallo*

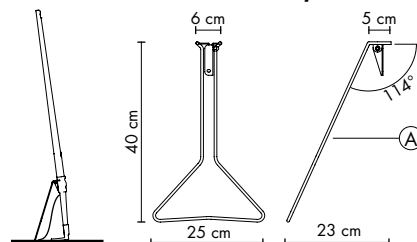
Matteo Ugolini design

AC145 5A INT OUTDOOR

2017

€ 195,00 vat not incl**A - PEDESTAL** *pedistallo*rod steel - *tondino acciaio***PACKAGING** *imballo*

40x55x12 cm

NET WEIGHT *peso netto* 0,4 KG**GROSS WEIGHT** *peso lordo* 1,5 KG**ULULÌ** floor lamp - *lampada da terra*

Matteo Ugolini design

M648PB-EXT OUTDOOR

2013

€ 1.020,00 vat not incl**A - LAMP** *corpo lampada*white fiberglass/lace - *pizzo/vetroresina bianca***ELECTRICAL CABLE** *cavo elettrico*green 5 meters - *verde 5 metri***ELECTRICAL SYSTEM** *dispositivo elettrico*

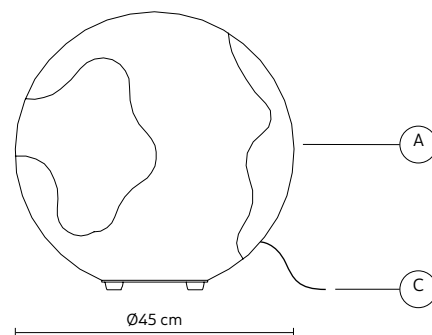
E27, 1x max 70W

OPTIONAL *accessorio*bulbs equipped - *lampadine incluse***BULBS** *lampadine*

1x E27 led, 10W, 900lm, 2700K

PACKAGING *imballo*

50x50x70 cm

NET WEIGHT *peso netto* 3,5 KG**GROSS WEIGHT** *peso lordo* 5,7 KGIP65    **ULULÀ** floor lamp - *lampada da terra*

Matteo Ugolini design

M649GB-EXT OUTDOOR

2013

€ 1.735,00 vat not incl**A - LAMP** *corpo lampada*white fiberglass/lace - *pizzo/vetroresina bianca***ELECTRICAL CABLE** *cavo elettrico*green 5 meters - *verde 5 metri***ELECTRICAL SYSTEM** *dispositivo elettrico*

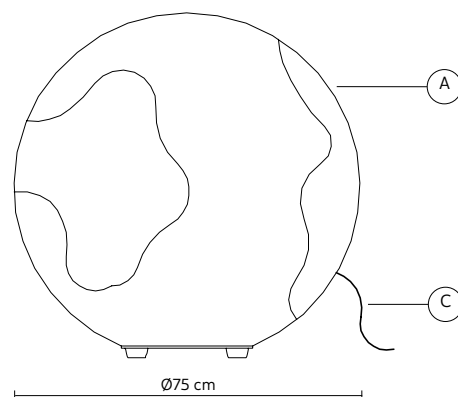
E27, 1x max 105W

OPTIONAL *accessorio*bulbs equipped - *lampadine incluse***BULBS** *lampadine*

1x E27 led, 10W, 900lm, 2700K

PACKAGING *imballo*

93x93x93 cm

NET WEIGHT *peso netto* 8 KG**GROSS WEIGHT** *peso lordo* 12 KGIP65    

XANA floor lamp - piantana

HP260 1B EXT OUTDOOR

€ 430,00 vat not incl

HP260 1V EXT OUTDOOR

Edmondo Testaguzza design

2021

A - LAMP *corpo lampada* matt white aluminum - alluminio bianco opaco **HP260 1B EXT**
matt green aluminum - alluminio verde opaco **HP260 1V EXT**

B - SHADE *diffusore* frosted glass - vetro satinato

C - ELECTRICAL CABLE *cavo elettrico* black 3 meters - 3 metri nero

ELECTRICAL SYSTEM *dispositivo elettrico* LED CC 350mA, 7,4W, 958 lm, 3000K, CRI≥90

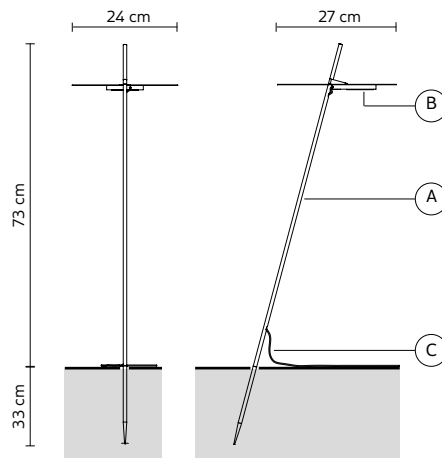
OPTIONAL accessorio 18W power supply - alimentatore **AC211A2 EXT 24€**
stake included h33 - picchetto

PACKAGING *imballo* 5x30x156 cm

NET WEIGHT *peso netto* 0,8 KG **GROSS WEIGHT** *peso lordo* 2,1 KG



BEWARE: Extra low voltage lamp, power supply necessary
ATTENZIONE: Lampada bassissima tensione, necessario alimentatore



XANA floor lamp - piantana

HP260 2B EXT OUTDOOR

€ 440,00 vat not incl

HP260 2V EXT OUTDOOR

Edmondo Testaguzza design

2021

A - LAMP *corpo lampada* matt white aluminum - alluminio bianco opaco **HP260 2B EXT**
matt green aluminum - alluminio verde opaco **HP260 2V EXT**

B - SHADE *diffusore* frosted glass - vetro satinato

C - ELECTRICAL CABLE *cavo elettrico* black 3 meters - 3 metri nero

ELECTRICAL SYSTEM *dispositivo elettrico* LED CC 350mA, 7,4W, 958 lm, 3000K, CRI≥90

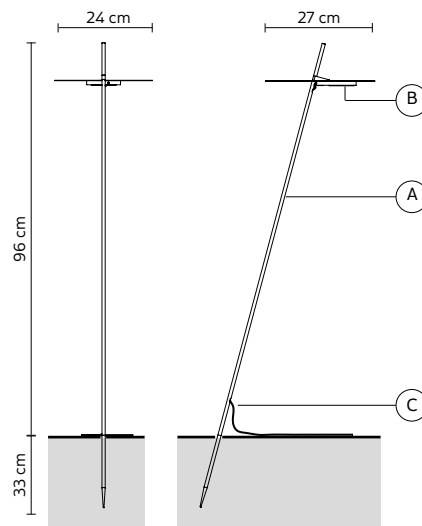
OPTIONAL accessorio 18W power supply - alimentatore **AC211A2 EXT 24€**
stake included h33 - picchetto

PACKAGING *imballo* 5x30x156 cm

NET WEIGHT *peso netto* 0,9 KG **GROSS WEIGHT** *peso lordo* 2,2 KG



BEWARE: Extra low voltage lamp, power supply necessary
ATTENZIONE: Lampada bassissima tensione, necessario alimentatore



XANA floor lamp - piantana

HP260 3B EXT OUTDOOR

€ 450,00 vat not incl

HP260 3V EXT OUTDOOR

Edmondo Testaguzza design

2021

A - LAMP *corpo lampada* matt white aluminum - alluminio bianco opaco **HP260 3B EXT**
matt green aluminum - alluminio verde opaco **HP260 3V EXT**

B - SHADE *diffusore* frosted glass - vetro satinato

C - ELECTRICAL CABLE *cavo elettrico* black 3 meters - 3 metri nero

ELECTRICAL SYSTEM *dispositivo elettrico* LED CC 350mA, 7,4W, 958 lm, 3000K, CRI≥90

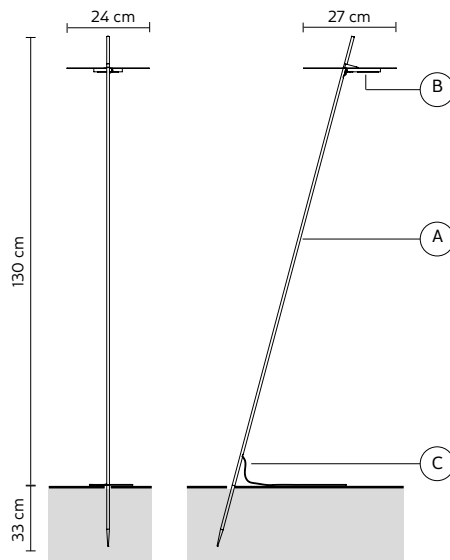
OPTIONAL accessorio 18W power supply - alimentatore **AC211A2 EXT 24€**
stake included h33 - picchetto

PACKAGING *imballo* 5x30x156 cm

NET WEIGHT *peso netto* 1 KG **GROSS WEIGHT** *peso lordo* 2,4 KG



BEWARE: Extra low voltage lamp, power supply necessary
ATTENZIONE: Lampada bassissima tensione, necessario alimentatore



XANA floor lamp - piantana

HP260 4B EXT OUTDOOR HP260 4V EXT OUTDOOR

€ 540,00 vat not incl

Edmondo Testaguzza design

2021

A - LAMP *corpo lampada* matt white aluminum - alluminio bianco opaco **HP260 4B EXT**
matt green aluminum - alluminio verde opaco **HP260 4V EXT**

B - SHADE *diffusore* frosted glass - vetro satinato

C - ELECTRICAL CABLE *cavo elettrico* black 20 cm - 20 cm nero

ELECTRICAL SYSTEM *dispositivo elettrico* LED CC 350mA, 7,4W, 958 lm, 3000K, CRI≥90

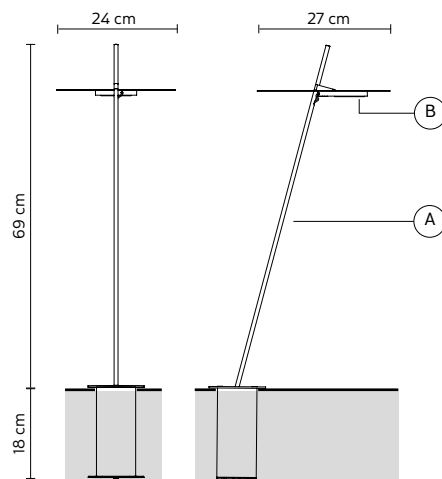
OPTIONAL *accessorio* 18W power supply - alimentatore **AC211A2 EXT 24€**

PACKAGING *imballo* 10x50x160 cm

NET WEIGHT *peso netto* 1 KG **GROSS WEIGHT** *peso lordo* 2,3 KG



BEWARE: Extra low voltage lamp, power supply necessary
ATTENZIONE: Lampada bassissima tensione, necessario alimentatore



XANA floor lamp - piantana

HP260 5B EXT OUTDOOR HP260 5V EXT OUTDOOR

€ 550,00 vat not incl

Edmondo Testaguzza design

2021

A - LAMP *corpo lampada* matt white aluminum - alluminio bianco opaco **HP260 5B EXT**
matt green aluminum - alluminio verde opaco **HP260 5V EXT**

B - SHADE *diffusore* frosted glass - vetro satinato

C - ELECTRICAL CABLE *cavo elettrico* black 20 cm - 20 cm nero

ELECTRICAL SYSTEM *dispositivo elettrico* LED CC 350mA, 7,4W, 958 lm, 3000K, CRI≥90

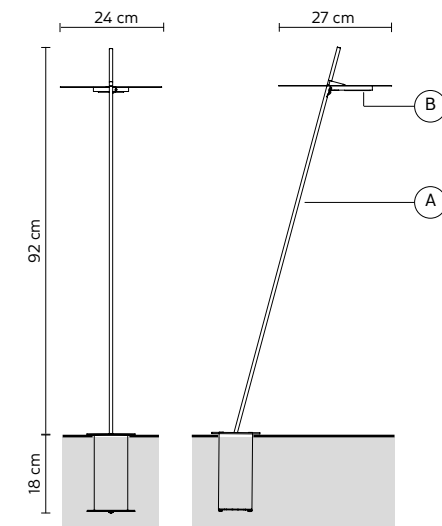
OPTIONAL *accessorio* 18W power supply - alimentatore **AC211A2 EXT 24€**

PACKAGING *imballo* 10x50x160 cm

NET WEIGHT *peso netto* 1,1 KG **GROSS WEIGHT** *peso lordo* 2,4 KG



BEWARE: Extra low voltage lamp, power supply necessary
ATTENZIONE: Lampada bassissima tensione, necessario alimentatore



XANA floor lamp - piantana

HP260 6B EXT OUTDOOR HP260 6V EXT OUTDOOR

€ 560,00 vat not incl

Edmondo Testaguzza design

2021

A - LAMP *corpo lampada* matt white aluminum - alluminio bianco opaco **HP260 6B EXT**
matt green aluminum - alluminio verde opaco **HP260 6V EXT**

B - SHADE *diffusore* frosted glass - vetro satinato

C - ELECTRICAL CABLE *cavo elettrico* black 20 cm - 20 cm nero

ELECTRICAL SYSTEM *dispositivo elettrico* LED CC 350mA, 7,4W, 958 lm, 3000K, CRI≥90

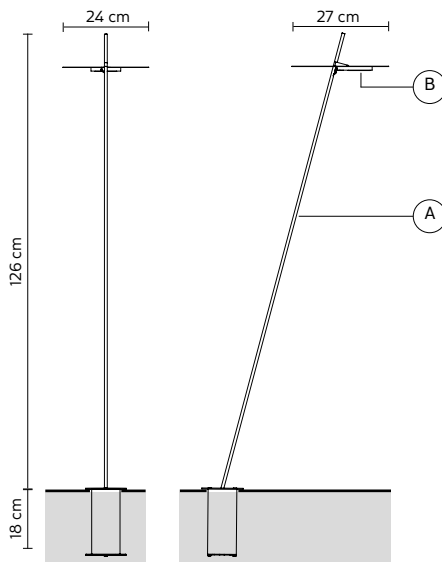
OPTIONAL *accessorio* 18W power supply - alimentatore **AC211A2 EXT 24€**

PACKAGING *imballo* 10x50x160 cm

NET WEIGHT *peso netto* 1,2 KG **GROSS WEIGHT** *peso lordo* 2,6 KG



BEWARE: Extra low voltage lamp, power supply necessary
ATTENZIONE: Lampada bassissima tensione, necessario alimentatore



XANA floor lamp - piantana

HP260 7B EXT OUTDOOR

HP260 7V EXT OUTDOOR

€ 430,00 vat not incl

Edmondo Testaguzza design

2021

A - LAMP *corpo lampada* matt white aluminum - alluminio bianco opaco **HP260 7B EXT**
matt green aluminum - alluminio verde opaco **HP260 7V EXT**

B - SHADE *diffusore* frosted glass - vetro satinato

C - ELECTRICAL CABLE *cavo elettrico* black 3 meters - 3 metri nero

ELECTRICAL SYSTEM *dispositivo elettrico* LED CC 350mA, 7,4W, 958 lm, 3000K, CRI≥90

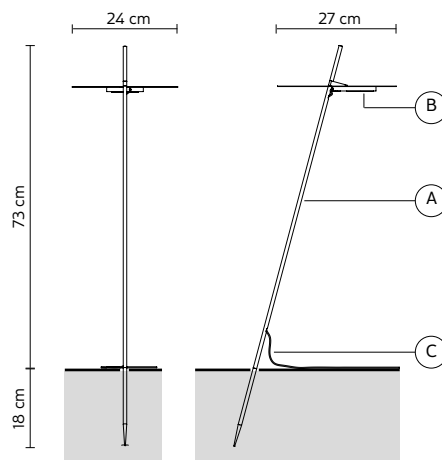
OPTIONAL *accessorio* 18W power supply - alimentatore **AC211A2 EXT 24€**
stake included h18 - picchetto

PACKAGING *imballo* 5x30x156 cm

NET WEIGHT *peso netto* 0,8 KG **GROSS WEIGHT** *peso lordo* 2,1 KG



BEWARE: Extra low voltage lamp, power supply necessary
ATTENZIONE: Lampada bassissima tensione, necessario alimentatore



XANA floor lamp - piantana

HP260 8B EXT OUTDOOR

HP260 8V EXT OUTDOOR

€ 440,00 vat not incl

Edmondo Testaguzza design

2021

A - LAMP *corpo lampada* matt white aluminum - alluminio bianco opaco **HP260 8B EXT**
matt green aluminum - alluminio verde opaco **HP260 8V EXT**

B - SHADE *diffusore* frosted glass - vetro satinato

C - ELECTRICAL CABLE *cavo elettrico* black 3 meters - 3 metri nero

ELECTRICAL SYSTEM *dispositivo elettrico* LED CC 350mA, 7,4W, 958 lm, 3000K, CRI≥90

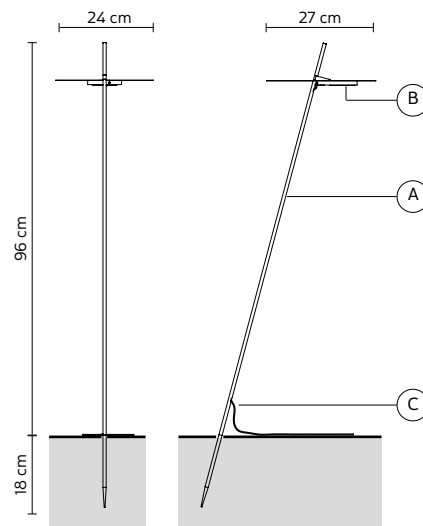
OPTIONAL *accessorio* 18W power supply - alimentatore **AC211A2 EXT 24€**
stake included h18 - picchetto

PACKAGING *imballo* 5x30x156 cm

NET WEIGHT *peso netto* 0,9 KG **GROSS WEIGHT** *peso lordo* 2,2 KG



BEWARE: Extra low voltage lamp, power supply necessary
ATTENZIONE: Lampada bassissima tensione, necessario alimentatore



XANA floor lamp - piantana

HP260 9B EXT OUTDOOR

HP260 9V EXT OUTDOOR

€ 450,00 vat not incl

Edmondo Testaguzza design

2021

A - LAMP *corpo lampada* matt white aluminum - alluminio bianco opaco **HP260 9B EXT**
matt green aluminum - alluminio verde opaco **HP260 9V EXT**

B - SHADE *diffusore* frosted glass - vetro satinato

C - ELECTRICAL CABLE *cavo elettrico* black 3 meters - 3 metri nero

ELECTRICAL SYSTEM *dispositivo elettrico* LED CC 350mA, 7,4W, 958 lm, 3000K, CRI≥90

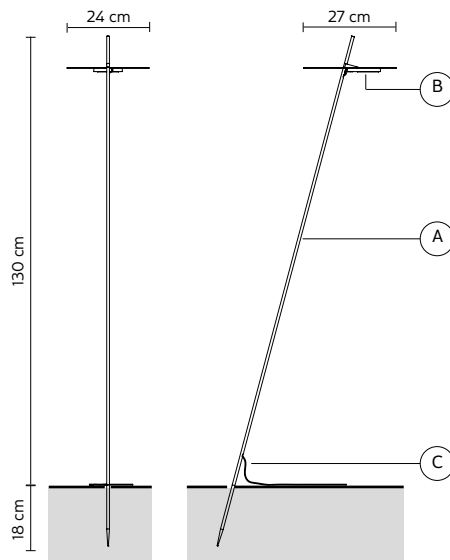
OPTIONAL *accessorio* 18W power supply - alimentatore **AC211A2 EXT 24€**
stake included h18 - picchetto

PACKAGING *imballo* 5x30x156 cm

NET WEIGHT *peso netto* 1 KG **GROSS WEIGHT** *peso lordo* 2,4 KG



BEWARE: Extra low voltage lamp, power supply necessary
ATTENZIONE: Lampada bassissima tensione, necessario alimentatore



The bulbs you find below could not be the same that you find in the catalogue pictures - *Le lampadine sottostanti potrebbero non corrispondere alle lampadine illustrate in catalogo.*
The bulbs we provide are only decorative items, not suitable for illumination purposes - *Le lampadine fornite sono solo ed esclusivamente decorative e non di illuminazione.*

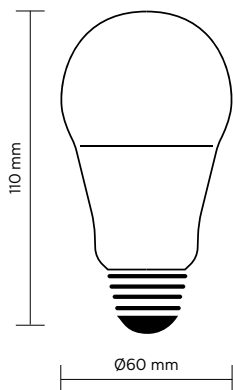
700U led bulb

€ 13,00 vat not incl

E27

6 Watt 534 lumen 2700K
not dimmable/non dimmerabile
220-240V 50/60Hz
class A+

white/bianca
plastic bulb/lampadina in plastica



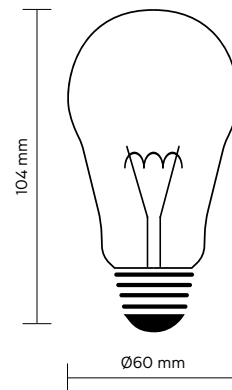
700R led bulb

€ 15,00 vat not incl

E27

7 Watt 806 lumen 2700K
dimmable /dimmerabile
220-240V 50/60Hz
class A+

transparent glass/vetro trasparente



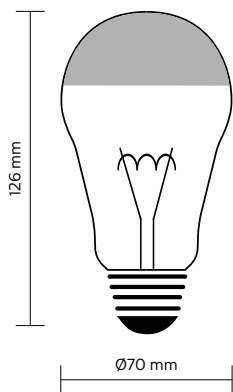
700E led bulb

€ 40,00 vat not incl

E27

6 Watt 510 lumen 2700K
not dimmable/non dimmerabile
220-240V 50/60Hz
class F

transparent glass/vetro trasparente
chrome top/cupola cromata



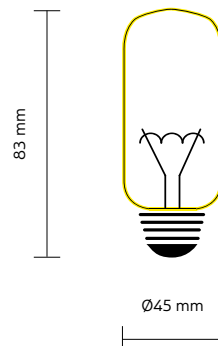
700P decorative led bulb

€ 30,00 vat not incl

E27

dimmable/dimmabile
4 Watt 2000K
220 lumen
class A+

amber glass/vetro ambrato



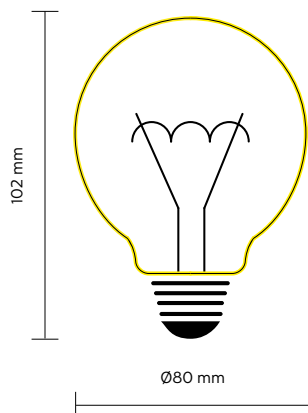
700B decorative led bulb

€ 40,00 vat not incl

E27

dimmable/dimmabile
4 Watt 2000K
130 lumen
class A+

amber glass/vetro ambrato



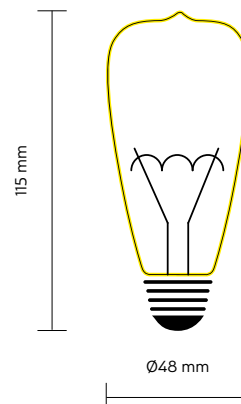
700L decorative led bulb

€ 40,00 vat not incl

E27

dimmable/dimmabile
4 Watt 2000K
220 lumen
class A

amber glass/vetro ambrato



The bulbs you find below could not be the same that you find in the catalogue pictures - *Le lampadine sottostanti potrebbero non corrispondere alle lampadine illustrate in catalogo.*
 The bulbs we provide are only decorative items, not suitable for illumination purposes - *Le lampadine fornite sono solo ed esclusivamente decorative e non di illuminazione.*

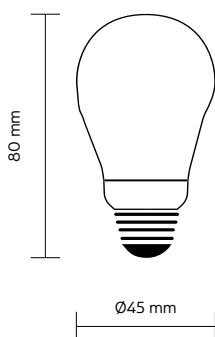
700A led bulb

€ 9,00 vat not incl

E14

5 Watt 440 lumen 2700K
 not dimmable/non dimmerabile
 220-240V 50/60Hz
 class A+

white/bianca
 plastic bulb/lampadina in plastica



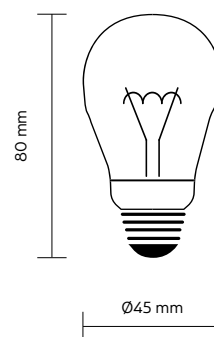
700F led bulb

€ 9,00 vat not incl

E14

2,5 Watt 250 lumen 2700K
 not dimmable/non dimmerabile
 220-240V 50/60Hz
 class A+

transparent glass/vetro trasparente



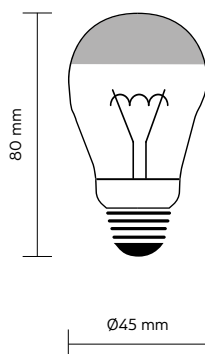
700H led bulb

€ 17,00 vat not incl

E14

4,5 Watt 400 lumen 2700K
 not dimmable/non dimmerabile
 220-240V 50/60Hz
 class A+

transparent glass/vetro trasparente
 chrome top/cupola cromata



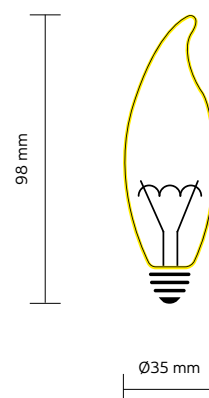
700C decorative led bulb

€ 30,00 vat not incl

E14

4 Watt 170 lumen 2000K
 dimmerabile/dimmable
 220-240V 50/60Hz
 class A

amber glass/vetro ambrato



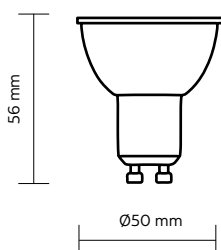
700N decorative led bulb

€ 13,00 vat not incl

GU10

not dimmable/non dimmerabile
 5 Watt 3000K
 380 lumen
 class A+

white/bianca
 plastic bulb/lampadina in plastica



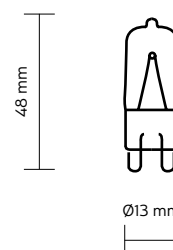
700G decorative led bulb

€ 13,00 vat not incl

G9

not dimmable/non dimmerabile
 2 Watt 2700K
 240 lumen
 class A+

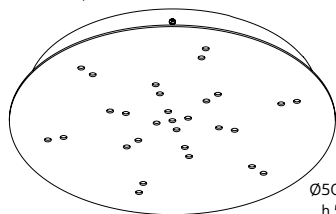
transparent glass/vetro trasparente



CEILING CUPS - rosoni

SR050 AB INT - INDOOR € 365,00 vat not incl
matt white metal - metallo bianco opaco

SR050 AN INT - INDOOR € 365,00 vat not incl
matt black metal - metallo nero opaco



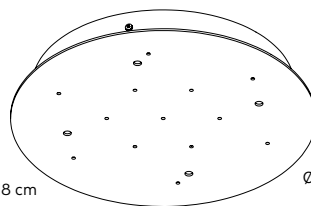
net. 6,5 Kg
packaging 72x65x18 cm

Ø500mm
h.53mm

Multiple composition with maximum 13 elements, upon lamps dimension verification.
Composizione personalizzabile MAX 13 sospensioni, previo verifica dimensioni lampade.

SR270 AN INT - INDOOR € 345,00 vat not incl
matt white metal - metallo bianco opaco

SR270 GN INT - INDOOR € 345,00 vat not incl
matt black metal - metallo nero opaco



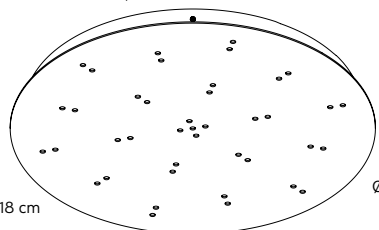
net. 4,5 Kg
packaging 72x65x18 cm

Ø400mm
h.53mm

Multiple composition with maximum 13 elements, for Filomena collection.
Composizione personalizzabile MAX 13 sospensioni, per collezione Filomena.

SR070 BB INT - INDOOR € 390,00 vat not incl
matt white metal - metallo bianco opaco

SR070 BN INT - INDOOR € 390,00 vat not incl
matt black metal - metallo nero opaco



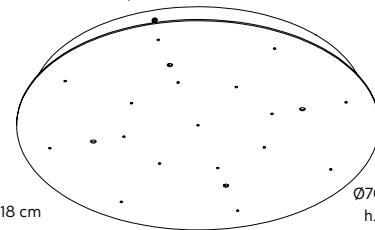
net. 11,5 Kg
packaging 104x91x18 cm

Ø700mm
h.53mm

Multiple composition with maximum 19 elements, upon lamps dimension verification.
Composizione personalizzabile MAX 19 sospensioni, previo verifica dimensioni lampade.

SR270 BN INT - INDOOR € 390,00 vat not incl
matt white metal - metallo bianco opaco

SR270 HN INT - INDOOR € 390,00 vat not incl
matt black metal - metallo nero opaco



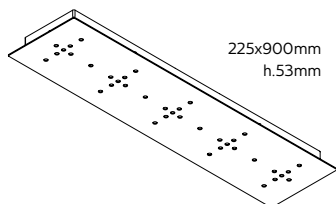
net. 11,6 Kg
packaging 104x91x18 cm

Ø700mm
h.53mm

Multiple composition with maximum 17 elements, for Filomena collection.
Composizione personalizzabile MAX 17 sospensioni, per collezione Filomena.

SR090 CB INT - INDOOR € 365,00 vat not incl
matt white metal - metallo bianco opaco

SR090 CN INT - INDOOR € 365,00 vat not incl
matt black metal - metallo nero opaco



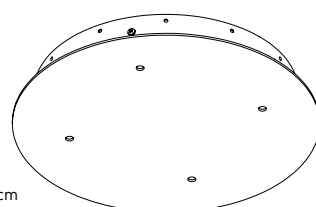
225x900mm
h.53mm

net. 7,8 Kg
packaging 15x35x105 cm

Multiple composition with maximum 15 elements, upon lamps dimension verification.
Composizione personalizzabile MAX 15 sospensioni, previo verifica dimensioni lampade.

SR270 CN INT - INDOOR € 345,00 vat not incl
matt white metal - metallo bianco opaco

SR270 LN INT - INDOOR € 345,00 vat not incl
matt black metal - metallo nero opaco

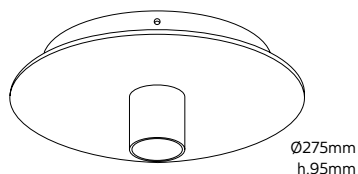


net. 4,5 Kg
packaging 72x65x18 cm

Ø400mm
h.53mm

Multiple composition with maximum 12 elements, for Filomena collection.
Composizione personalizzabile MAX 12 sospensioni, per collezione Filomena.

SR064 1B INT - INDOOR € 215,00 vat not incl
matt white metal - metallo bianco opaco

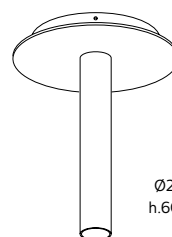


net. 1,9 Kg
packaging 36x36x24 cm

Ø275mm
h.95mm

Multiple composition with maximum 13 elements
Composizione personalizzabile MAX 13 sospensioni

SR025 1B INT - INDOOR € 215,00 vat not incl
matt white metal - metallo bianco opaco



net. 3,2 Kg
packaging 35x35x62 cm

Ø275mm
h.600mm

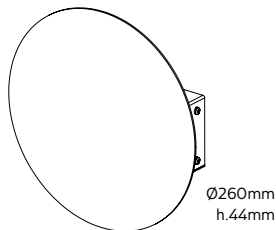
Multiple composition with maximum 10 elements
Composizione personalizzabile MAX 10 sospensioni

CEILING CUPS - rosoni

SR270 DN INT - INDOOR

€ 160,00 vat not incl

matt black metal - *metallo nero opaco*



net. 1,8 Kg
packaging 31x31x23 cm

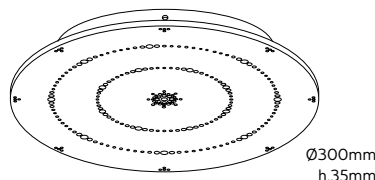
Ø260mm
h.44mm

Multiple composition with max 3 elements, for Filomena collection.
Composizione personalizzabile MAX 3 elementi, per collezione Filomena.

SR034 1B INT - INDOOR

€ 240,00 vat not incl

matt white metal - *metallo bianco opaco*



net. 1,6 Kg
packaging 36x36x24 cm

Ø300mm
h.35mm

Multiple composition with maximum 16 elements
Composizione personalizzabile MAX 16 sospensioni

SR001 AB INT - INDOOR

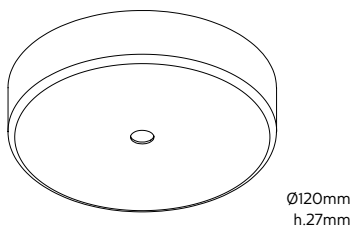
€ 80,00 vat not incl

matt white metal - *metallo bianco opaco*

SR001 AN INT - INDOOR

€ 80,00 vat not incl

matt black metal - *metallo nero opaco*



net. 0,5 Kg
packaging 15x15x12 cm

Ø120mm
h.27mm

SR002 AB INT - INDOOR

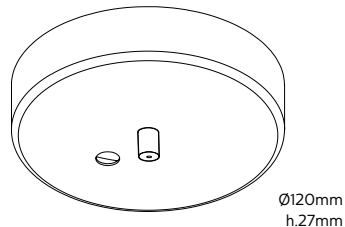
€ 80,00 vat not incl

matt white metal - *metallo bianco opaco*

SR002 AN INT - INDOOR

€ 80,00 vat not incl

matt black metal - *metallo nero opaco*



net. 0,5 Kg
packaging 15x15x12 cm

Ø120mm
h.27mm

SR001 3B INT - INDOOR

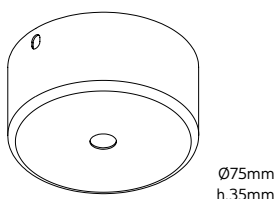
€ 59,00 vat not incl

matt white metal - *metallo bianco opaco*

SR001 3N INT - INDOOR

€ 59,00 vat not incl

matt black metal - *metallo nero opaco*



net. 0,5 Kg
packaging 15x15x12 cm

Ø75mm
h.35mm

SR014 3B INT - INDOOR

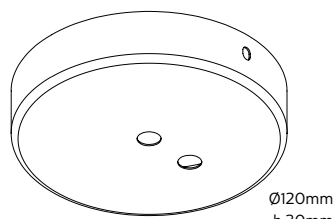
€ 59,00 vat not incl

matt white metal - *metallo bianco opaco*

SR014 1N INT - INDOOR

€ 59,00 vat not incl

matt black metal - *metallo nero opaco*



net. 0,5 Kg
packaging 15x15x12 cm

Ø120mm
h.30mm

SR010 2B EXT - OUTDOOR

€ 96,00 vat not incl

matt white galvanized metal - *metallo zincato bianco opaco*

IP65

SR010 1N EXT - OUTDOOR

€ 96,00 vat not incl

matt black galvanized metal - *metallo zincato nero opaco*

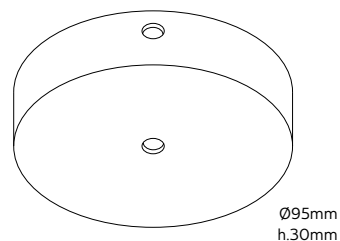
IP65

SR010 1G EXT - OUTDOOR

€ 96,00 vat not incl

matt grey galvanized metal - *metallo zincato grigio opaco*

IP65



net. 0,5 Kg
packaging 15x15x12 cm

Ø95mm
h.30mm

SR026 2B EXT - OUTDOOR

€ 96,00 vat not incl

matt white galvanized metal - *metallo zincato bianco opaco*

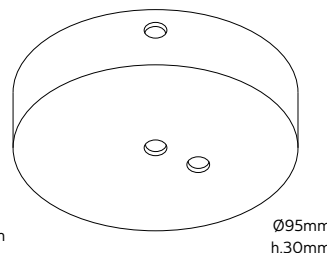
IP65

SR026 1N EXT - OUTDOOR

€ 96,00 vat not incl

matt black galvanized metal - *metallo zincato nero opaco*

IP65



net. 0,5 Kg
packaging 15x15x12 cm

Ø95mm
h.30mm

INDEX for product code - indice per codice prodotto

code	price	family	pag	code	price	family	pag	code	price	family	pag
AC1011BINT	96	black out -accessories	29	AP1251BINT	440	workinprogress	102	HP2602VEXT	440	xana	133
AC1011NINT	96	black out -accessories	29	AP1291BINT	510	capodimonte	32	HP2603BEXT	450	xana	133
AC1101BINT	140	au revoir - accessories	19	AP1321BINT	570	aprile	16	HP2603VEXT	450	xana	133
AC1102BINT	140	au revoir - accessories	19	AP1421BINT	550	cubano	44	HP2604BEXT	540	xana	134
AC1103BINT	32	au revoir - accessories	19	AP152BBINT	500	ugo rilla	99	HP2604VEXT	540	xana	134
AC1150BINT	38	va-lentina - accessories	102	AP152GRINT	530	ugo rilla	99	HP2605BEXT	550	xana	134
AC1342SINT	200	ceraunavolta - B	40	AP191BAINT	500	amsterdam	16	HP2605VEXT	550	xana	134
AC1342TINT	200	ceraunavolta - B	40	AP191BBINT	530	amsterdam	16	HP2606BEXT	560	xana	134
AC1343SINT	255	ceraunavolta - C	40	AP199HDINT	335	umarell	101	HP2606VEXT	560	xana	134
AC1343TINT	255	ceraunavolta - C	40	AP199HTINT	335	umarell	101	HP2607BEXT	430	xana	135
AC1344SINT	200	ceraunavolta - F	40	AP211PNEXT	450	nilo	128	HP2607VEXT	430	xana	135
AC1344TINT	200	ceraunavolta - F	40	AP251BCINT	590	corrado	44	HP2608BEXT	440	xana	135
AC1345SINT	255	ceraunavolta - H	41	AP251GRINT	630	corrado	44	HP2608VEXT	440	xana	135
AC1345TINT	255	ceraunavolta - H	41	AP251NRINT	735	corrado	44	HP2609BEXT	450	xana	135
AC1346SINT	160	ceraunavolta - E	41	AP262BCEXT	405	movida	74/125	HP2609VEXT	450	xana	135
AC1346TINT	160	ceraunavolta - E	41	AP262BBEXT	405	movida	74/125	HP2681NINT	1960	fireman	57
AC1347SINT	220	ceraunavolta - N	41	AP262NPEXT	405	movida	74/124	HP2682NINT	1960	fireman	57
AC1347TINT	220	ceraunavolta - N	41	AP262NREXT	405	movida	74/124	HP2701NINT	740	filomena	53
AC1351SINT	200	ceraunavolta - A	41	AP264GGINT	4140	stant	87	HP2702NINT	740	filomena	53
AC1351TINT	200	ceraunavolta - A	41	AP264HHINT	4140	stant	87	HP2703NINT	920	filomena	53
AC1352SINT	200	ceraunavolta - D	41	AP2701NINT	645	filomena	52	HP2704NINT	920	filomena	53
AC1352TINT	200	ceraunavolta - D	41	AP2702NINT	645	filomena	52	HP2705NINT	1180	filomena	53
AC1353SINT	200	ceraunavolta - G	41	AP2703NINT	825	filomena	52	HP2706NINT	1180	filomena	53
AC1353TINT	200	ceraunavolta - G	41	AP2704NINT	825	filomena	52	HP291B1EXT	1050	abachina	108
AC1354SINT	200	ceraunavolta - I	41	AP2705NINT	1085	filomena	52	HP291B2EXT	1050	abachina	2
AC1354TINT	200	ceraunavolta - I	41	AP2706NINT	1085	filomena	52	HP291B3INT	1030	abachina	108
AC1355SINT	220	ceraunavolta - L	41	AP270ANINT	2143	filomena	55	HP291B4INT	1030	abachina	3
AC1355TINT	220	ceraunavolta - L	41	AP270BNINT	2143	filomena	55	HP291B5INT	945	abachina	3/105
AC1356SINT	220	ceraunavolta - M	41	AP29051EXT	495	agua	5/109	HP291B6INT	925	abachina	4/105
AC1356TINT	220	ceraunavolta - M	41	AP290T1EXT	485	agua	5/109	HP291N1EXT	1050	abachina	108
AC1432GINT	115	perbacco - accessories	20	AP291B1EXT	580	abachina	3/109	HP291N2EXT	1050	abachina	2
AC1433BINT	450	perbacco - accessories	20	AP291N1EXT	580	abachina	3/109	HP291N3EXT	1030	abachina	108
AC1454AINT	85	tobia - accessories	94/131	AP305B1INT	890	turn it	96	HP291N4INT	1030	abachina	3
AC1454AINT	195	tobia - accessories	94/131	AP305B2INT	960	turn it	96	HP291N5INT	945	abachina	3/105
AC153ACEXT	280	don't touch - acc.	117	AP305B3INT	1190	turn it	96	HP292ANEXT	450	pois	129
AC153BCEXT	145	don't touch - wacc.	117	AP305N1INT	890	turn it	96	HP292BNEXT	460	pois	129
AC1844BINT	180	cupido - paralume acc.	45	AP305N2INT	960	turn it	96	HP292CNEXT	470	pois	129
AC1844CINT	135	cupido - paralume acc.	45	AP305N3INT	1190	turn it	96	HP293ANINT	975	leda	65
AC1844BBINT	180	cupido - paralume acc.	45	AP625	560	ali' e baba'	9	HP293AOINT	975	leda	65
AC1844BCINT	135	cupido - paralume acc.	45	AP625B	700	ali' e baba'	9	HP302ABEXT	1390	atmosphere	111
AC199ACINT	85	umarell - accessories	101	AP625LS	500	ali' e baba'	9	HP302ABINT	1300	atmosphere	16
AC199BCINT	85	umarell - accessories	101	AP627-45B	475	de'ja'-vu	47	HP302ANEXT	1390	atmosphere	111
AC199CCINT	85	umarell - accessories	101	AP627-60B	585	de'ja'-vu	47	HP302ANINT	1300	atmosphere	16
AC211A1EXT	11	nilo - 4W	126/127	AP645M	580	marnin	68	HP302BBEXT	1290	atmosphere	111
AC211A2EXT	24	nilo - 18W	126/127	CI016B5	450	ali' e baba'	9	HP302BBINT	1200	atmosphere	17
AC211ONINT	1060	nilo - oval base	78	CI017B5	285	ali' e baba'	10	HP302BNEXT	1290	atmosphere	111
AC211RNINT	780	nilo - rettangular base	78	CT1051BINT	500	ti-vedo	94	HP302BNINT	1200	atmosphere	17
AC213N3INT	195	accipicchio - accessories	5	CT1211BINT	450	amarcord	15	HP302CBEXT	990	atmosphere	111
AC213N4INT	38	accipicchio - accessories	5	CT1211GINT	450	amarcord	15	HP302CBINT	990	atmosphere	17
AC262BNEXT	77	movida deflector	74/124	CT121BFINT	450	amarcord	15	HP302CNEXT	990	atmosphere	111
AC2701NINT	22	filomena - clamp	56	CT121BSINT	450	amarcord	15	HP302CNINT	990	atmosphere	17
AC270ALINT	91	filomena - power sup.	56	CT121GSINT	450	amarcord	15	HP302DBEXT	1390	atmosphere	112
AC291B1EXT	75	abachina - tray	4/108	CT121GTINT	450	amarcord	15	HP302DNEXT	1390	atmosphere	112
AC291B2EXT	75	abachina - fixing plate	109	CT1431BINT	345	bacco	20/105	HP302EBEXT	1290	atmosphere	112
AC291N1EXT	75	abachina - tray	4/108	CT1432BINT	345	bacco	20/105	HP302ENEXT	1290	atmosphere	112
AC291N2EXT	75	abachina - fixing plate	109	CT1441BINT	365	braille	30	HP302FBEXT	990	atmosphere	112
AC293ALEXT	65	leda - power supply	67/124	CT1442BINT	490	braille	30	HP302FNEXT	990	atmosphere	112
AC293N2INT	27	leda	67	CT154CBINT	450	bag	20	HP302GBEXT	1390	atmosphere	113
AC293N3INT	30	leda	67	CT154CRINT	520	bag	20	HP302GNEXT	1390	atmosphere	113
AC293O2INT	27	leda	67	CT154DBINT	475	bag	21	HP302HBEXT	1290	atmosphere	113
AC293O3INT	30	leda	67	CT154DRINT	560	bag	21	HP302HNEXT	1290	atmosphere	113
AC293S1NINT	32	leda	67	CT290S1INT	560	agua	5	HP302LBEXT	990	atmosphere	113
AC293S2NINT	32	leda	67	CT290T1INT	550	agua	5	HP302LNEXT	990	atmosphere	113
AC303N1F06	330	airtek one - spotlight	8	CT612AMEXT	1100	cell	115	HP304GBEXT	1610	lady D	122
AC303N1F25	330	airtek one - spotlight	8	CT612AMINT	700	cell	33	HP304GBINT	1360	lady D	122
AC303N1F40	330	airtek one - spotlight	8	CT614CMINT	510	cell	34	HP304PBEXT	1140	lady D	62
AC303N2F06	450	airtek one - spotlight	8	H6025C5B	900	ali' e baba'	10	HP304PBINT	890	lady D	62
AC303N2F25	450	airtek one - spotlight	8	H625V-EXT	2410	alibabig	110	HP613BMEXT	1695	cell	115
AC303N2F40	450	airtek one - spotlight	8	H625V-INT	2250	alibabig	13	HP613BMINT	1265	cell	33
AC303N3F19	260	airtek one - spotlight	8	HP1012BEXT	1570	black out	115	HP615DMEXT	1200	cell	116
AC303N3F06	330	airtek one - spotlight	8	HP1012BINT	1355	black out	28	HP615DMINT	735	cell	35
AC303N3F25	330	airtek one - spotlight	8	HP1012NEXT	1570	black out	115	M612B	590	cell	32
AC303N3F40	330	airtek one - spotlight	8	HP1012NINT	1355	black out	28	M612-EXT	980	cell	115
AC303T2F06	450	airtek one - spotlight	8	HP1451FEXT	735	tobia	130	M613B	1120	cell	33
AC303T2F25	450	airtek one - spotlight	8	HP1451FINT	735	tobia	95	M613-EXT	1605	cell	115
AC303T2F40	450	airtek one - spotlight	8	HP1452PEXT	735	tobia	130	M614B	430	cell	34
AC303T3F19	260	airtek one - spotlight	8	HP1452PINT	735	tobia	95	M615B	645	cell	34
AC305BBF36	260	turn it - spotlight	97	HP1453REXT	735	tobia	130	M615-EXT	1110	cell	116
AC305BBF50	260	turn it - spotlight	97	HP1453RINT	735	tobia	95	M648PB	960	ululi' e ulula'	100
AC305NNF36	260	turn it - spotlight	97	HP153ABEXT	1200	don't touch	117	M648PB-EXT	1020	ululi' e ulula'	131
AC305NNF50	260	turn it - spotlight	97	HP153ABINT	1050	don't touch	50	M649GB	1620	ululi' e ulula'	100
AP1021BINT	475	domenica	49	HP153BBEXT	1200	don't touch	117	M649GB-EXT	1735	ululi' e ulula'	131
AP1021OINT	475	domenica	49	HP153BBINT	1050	don't touch	50	PL1303BINT	1415	notredame	80
AP1031BINT	815	eden	51	HP154ABINT	590	bag	21	PL1303OINT	1825	notredame	80
AP1032BINT	570	eden	51	HP154ARINT	805	bag	21	PL1304BINT	1160	notredame	80
AP1033BINT	465	eden	51	HP154BBINT	610	bag	21	PL1304OINT	1355	notredame	81
AP1051BINT	500	ti-vedo	94	HP154BRINT	850	bag	21	PL1305BINT	1415	notredame	80
AP1092BINT	315	nando	75	HP194B3INT	870	cupido	46	PL1305OINT	1825	notredame	80
AP1092GINT	315	nando	75	HP211ANEXT	485	nilo	126	PL1306BINT	1160	notredame	80
AP1092OINT	315	nando	75	HP211BNEXT	495	nilo	126	PL1306OINT	1355	notredame	81
AP1093BINT	430	nando	75	HP211CNEXT	505	nilo	126	PL1441BINT	365	braille	30
AP1093GINT	430	nando	75	HP211DNEXT	440	nilo	127	PL1442BINT	490	braille	31
AP1094BINT	430	nando	75	HP211ENEXT	450	nilo	127	PL210ABINT	835	R.O.M.A.	83
AP1094GINT	430	nando	75	HP211FNEXT	460	nilo	127	PL210ACINT	835	R.O.M.A.	83
AP1095OINT	430	nando	75	HP211GNINT	290	nilo	79	PL264AAINT	2704	stant	89
AP1096OINT	430	nando	75	HP211HNINT	300	nilo	79	PL264BBINT	2464	stant	89
AP1150BINT	370	va-lentina	102	HP211LINT	310	nilo	79	PL264CCINT	3617	stant	89
AP1173BINT	475	de'ja'-vu	47	HP211OINT	2570	nilo	78	PL264DDINT	2704	stant	89
AP1174BINT	585	de'ja'-vu	47	HP211RINT	2290	nilo	78	PL264EEINT	2464	stant	89
AP1211BINT	475	amarcord	15	HP213N1INT	1125	accipicchio	4	PL264FFINT	3617	stant	89
AP1211GINT	475	amarcord	15	HP213N2INT	1125	accipicchio	4	PL302CBEXT	900	atmosphere	17/114
AP121BFINT	475	amarcord	14	HP2601BEXT	430	xana	133	PL302CNEXT	900	atmosphere	17/114
AP121BSINT	475	amarcord	14	HP2601VEXT	430	xana	133	SE05ONTINT	3020	cluster	104
AP121GSINT	475	amarcord	15	HP2602BEXT	440	xana	133	SE070BBINT	3500	cluster	104
AP121GTINT	475	amarcord	15								

code	price	family	pag	code	price	family	pag	code	price	family	pag
SE090CBINT	2615	cluster	104	SE1341T00D	4650	ceraunavolta	42	SE270BNINT	2872	filomena	55
SE1011BEXT	930	black out	114	SE1342500A	2845	ceraunavolta	42	SE270CNINT	4047	filomena	55
SE1011BINT	670	black out	29	SE13425SINT	455	ceraunavolta	40	SE270DNINT	4047	filomena	55
SE1011NEX	930	black out	114	SE1342T00A	2845	ceraunavolta	42	SE293ANEXT	890	leda	123
SE1011NINT	670	black out	29	SE1343500C	3830	ceraunavolta	42	SE293ANINT	890	leda	64
SE1012BEXT	1030	black out	114	SE13435SINT	395	ceraunavolta	38	SE293AOEXT	890	leda	123
SE1012BINT	810	black out	29	SE1343T00C	3830	ceraunavolta	42	SE293AOINT	890	leda	64
SE1012NEX	1030	black out	114	SE1343TINT	395	ceraunavolta	38	SE293BNEXT	955	leda	123
SE1012NINT	810	black out	29	SE13445SINT	340	ceraunavolta	38	SE293BNINT	955	leda	64
SE1017BC	365	ali' e baba'	10	SE1344TINT	340	ceraunavolta	38	SE293BOEXT	955	leda	123
SE1021BINT	685	domenica	49	SE13455SINT	395	ceraunavolta	38	SE293BOINT	955	leda	64
SE1021OINT	685	domenica	49	SE1345TINT	395	ceraunavolta	38	SE293CNINT	2785	leda	65
SE1022BINT	825	domenica	49	SE1351SINT	340	ceraunavolta	39	SE293COINT	2785	leda	65
SE1022OINT	825	domenica	49	SE1351TINT	340	ceraunavolta	39	SE293DNINT	5265	leda	66
SE1041FINT	755	24 karati	2	SE1353SINT	340	ceraunavolta	39	SE293DOINT	5265	leda	66
SE1041GINT	755	24 karati	2	SE1353TINT	340	ceraunavolta	39	SE293ENINT	2785	leda	66
SE1071BINT	345	mek	68	SE1355SINT	370	ceraunavolta	39	SE293EOINT	2785	leda	66
SE1071NINT	345	mek	68	SE1355TINT	370	ceraunavolta	39	SE293GNINT	1980	leda	65
SE1071RINT	430	mek	69	SE1441BINT	490	braille	31	SE293GOINT	1980	leda	65
SE1072BINT	345	mek	69	SE1442BINT	590	braille	31	SE293HNINT	3655	leda	66
SE1072NINT	345	mek	69	SE151ABINT	265	sherwood	85	SE293HOINT	3655	leda	66
SE1072RINT	430	mek	70	SE151BBINT	465	sherwood + robin	85	SE293NIEXT	805	leda	124
SE1073BINT	345	mek	70	SE151CBINT	665	sherwood + robin	85	SE293NINT	805	leda	67
SE1073NINT	345	mek	70	SE154ABINT	580	bag	23	SE293O1EXT	805	leda	124
SE1073RINT	430	mek	71	SE154ARINT	795	bag	23	SE293O1INT	805	leda	67
SE1074BINT	465	mek	68	SE154BBINT	605	bag	24	SE303N1INT	890	airtek one	6
SE1074NINT	465	mek	68	SE154BRINT	825	bag	24	SE303N2INT	890	airtek one	6
SE1074RINT	530	mek	69	SE154CBINT	450	bag	22	SE303T1INT	970	airtek one	6
SE1075BINT	465	mek	69	SE154CRINT	520	bag	22	SE303T2INT	970	airtek one	6
SE1075NINT	465	mek	69	SE154DBINT	475	bag	22	SE304GBEXT	1550	lady D	123
SE1075RINT	530	mek	70	SE154DRINT	560	bag	23	SE304GBINT	1300	lady D	63
SE1076BINT	465	mek	70	SE185BCEXT	835	gonzaga	60/120	SE304PBEXT	1110	lady D	122
SE1076NINT	465	mek	70	SE185BDEXT	835	gonzaga	60/120	SE304PBINT	860	lady D	62
SE1076RINT	530	mek	71	SE185CCEXT	1040	gonzaga	61/121	SE305B1INT	1130	turn it	97
SE1077BINT	465	mek	68	SE185CDEXT	1040	gonzaga	61/121	SE305B2INT	1200	turn it	97
SE1077NINT	465	mek	68	SE185DCEXT	925	gonzaga	60/120	SE305N1INT	1130	turn it	97
SE1077RINT	530	mek	69	SE185DDEXT	925	gonzaga	60/120	SE305N2INT	1200	turn it	97
SE1078BINT	465	mek	69	SE185ECEXT	835	gonzaga	60/120	SE609B	2710	snoob	87
SE1078NINT	465	mek	69	SE185EDEXT	835	gonzaga	60/120	SE609N	2710	snoob	87
SE1078RINT	530	mek	70	SE185FCEXT	805	gonzaga	60/120	SE610B	1295	snoob	87
SE1079BINT	465	mek	70	SE185FDEXT	805	gonzaga	60/120	SE610N	1295	snoob	87
SE1079NINT	465	mek	70	SE185GCEXT	805	gonzaga	60/120	SE612AMEXT	945	cell	116
SE1079RINT	530	mek	71	SE185GDEXT	805	gonzaga	60/120	SE612AMINT	745	cell	35
SE1091BINT	465	nando	76	SE194A1INT	775	cupido	44	SE612B	665	cell	35
SE1091GINT	465	nando	76	SE194B1INT	955	cupido	45	SE612-EXT	865	cell	116
SE1091OINT	465	nando	76	SE194CDINT	285	cupido	46	SE613B	1080	cell	36
SE1092BINT	415	nando	77	SE194DDINT	430	cupido	46	SE613BMEXT	1520	cell	116
SE1092GINT	415	nando	77	SE198ADINT	450	bibendum	25	SE613BMINT	1205	cell	36
SE1092OINT	415	nando	77	SE198AEINT	450	bibendum	25	SE613-EXT	1395	cell	116
SE1093BINT	580	nando	76	SE198ATINT	450	bibendum	24	SE614B	530	cell	36
SE1093GINT	580	nando	76	SE198AVINT	450	bibendum	24	SE614CMINT	620	cell	37
SE1093OINT	580	nando	76	SE198BDINT	795	bibendum	26	SE615B	685	cell	37
SE1094BINT	580	nando	76	SE198BEINT	795	bibendum	26	SE615DMEXT	1085	cell	117
SE1094GINT	580	nando	76	SE198BTINT	795	bibendum	26	SE615DMINT	800	cell	37
SE1094OINT	580	nando	76	SE198BVINT	795	bibendum	26	SE615-EXT	970	cell	117
SE1095BINT	530	nando	77	SE198CDINT	795	bibendum	27	SE616BC	960	ali' e baba'	11
SE1095GINT	530	nando	77	SE198CEINT	795	bibendum	27	SE616V-EXT	1710	alibabig	110
SE1095OINT	530	nando	77	SE198CTINT	795	bibendum	27	SE616V-INT	1415	alibabig	14
SE1096BINT	530	nando	77	SE198CVINT	795	bibendum	27	SE617BC	930	ali' e baba'	11
SE1096GINT	530	nando	77	SE198DDINT	405	bibendum	25	SE617V-EXT	1650	alibabig	110
SE1096OINT	530	nando	77	SE198DTINT	405	bibendum	25	SE617V-INT	1450	alibabig	14
SE1100BINT	2590	au revoir	18	SE198EDINT	655	bibendum	27	SE618B5	725	ali' e baba'	11
SE1101BINT	525	au revoir	19	SE198ETINT	655	bibendum	26	SE619B5	590	ali' e baba'	12
SE1102BINT	525	au revoir	19	SE198FDINT	655	bibendum	28	SE622B5	530	ali' e baba'	12
SE1103BINT	525	au revoir	19	SE198FTINT	655	bibendum	28	SE623B5	530	ali' e baba'	12
SE1104BINT	525	au revoir	19	SE2501BINT	970	sibilla	86	SE624BC	590	ali' e baba'	13
SE1105BINT	525	au revoir	19	SE2501NINT	970	sibilla	86	SE625BC	590	ali' e baba'	13
SE110ABINT	10385	au revoir	18	SE2502BINT	1535	sibilla	86	SE627-45B	490	de'ja'-vu	47
SE110BBINT	7387	au revoir	18	SE2502NINT	1535	sibilla	86	SE627-60B	580	de'ja'-vu	48
SE1131FINT	570	24 karati	2	SE2503BINT	2900	sibilla	86	SE635V-EXT	1100	kimono	121
SE1131GINT	570	24 karati	2	SE2503NINT	2900	sibilla	86	SE635V-INT	825	kimono	61
SE1161AEXT	550	ginger	118	SE2551NINT	755	stralunata	93	SE636V-EXT	1100	kimono	121
SE1161AINT	490	ginger	59	SE2552NINT	755	stralunata	93	SE636V-INT	825	kimono	61
SE1161FEXT	550	ginger	118	SE2553NINT	785	stralunata	93	SE641BB	605	gangster	57
SE1161FINT	490	ginger	59	SE2554NINT	785	stralunata	93	SE641BR	790	gangster	57
SE1162AEXT	550	ginger	118	SE2561BINT	925	moonbloom	72	SE642BB	605	gangster	57
SE1162AINT	490	ginger	59	SE2562BINT	1170	moonbloom	72	SE642BR	790	gangster	57
SE1162FEXT	550	ginger	118	SE2563BINT	1285	moonbloom	72	SE643BB	390	gangster	58
SE1162FINT	490	ginger	59	SE2564BINT	1535	moonbloom	73	SE643BR	470	gangster	58
SE1163AEXT	630	ginger	118	SE2565BINT	925	moonbloom	72	SE644BB	390	gangster	58
SE1163AINT	570	ginger	59	SE2566BINT	1170	moonbloom	72	SE644BR	470	gangster	58
SE1163FEXT	630	ginger	118	SE2567BINT	1285	moonbloom	72	SE646P	805	moby dick	71
SE1163FINT	570	ginger	59	SE2568BINT	1535	moonbloom	73	SE646P-EXT	970	moby dick	124
SE1164AEXT	575	ginger	119	SE258ABINT	665	circus	43	SE647G	1005	moby dick	71
SE1164FEXT	575	ginger	119	SE258BBINT	630	circus	43	SE647G-EXT	1160	moby dick	124
SE1165AEXT	575	ginger	119	SE258CBINT	665	circus	43	SE648/IPB	665	plancton	82
SE1165FEXT	575	ginger	119	SE2641BINT	825	stant	91	SE648/IPB-EXT	745	plancton	128
SE1166AEXT	660	ginger	119	SE2641NINT	825	stant	91	SE648PB	1040	ululi' e ulula'	100
SE1166FEXT	660	ginger	119	SE2642BINT	943	stant	91	SE648PB-EXT	1120	ululi' e ulula'	132
SE1171BINT	405	de'ja'-vu nu	48	SE2642NINT	943	stant	91	SE649/1GB	815	plancton	83
SE1172BINT	465	de'ja'-vu nu	48	SE2643BINT	1369	stant	91	SE649/1GB-EXT	945	plancton	128
SE1173BINT	490	de'ja'-vu	47	SE2643NINT	1369	stant	91	SE649GB	1690	ululi' e ulula'	101
SE1174BINT	580	de'ja'-vu	48	SE264AAINT	2650	stant	88	SE649GB-EXT	1850	ululi' e ulula'	132
SE1251BINT	430	workinprogress	102	SE264BBINT	2358	stant	88	SE654T	915	le trulle	63
SE1291BINT	575	capodimonte	32	SE264CCINT	3509	stant	88	SE655T	700	le trulle	63
SE1303BINT	1535	notredame	81	SE264DDINT	2650	stant	88	SE667KB	395	sahara	83
SE1303OINT	2005	notredame	81	SE264EEINT	2358	stant	88	SE667KV	395	sahara	83
SE1304BINT	1335	notredame	82	SE264FFINT	3509	stant	88	SE668KB	380	sahara	84
SE1304OINT	1570	notredame	82	SE2701NINT	460	filomena	54	SE668KB	380	sahara	84
SE1305BINT	1335	notredame	81	SE2702NINT	460	filomena	54	SE669KB	430	sahara	84
SE1305OINT	2005	notredame	81	SE2703NINT	640	filomena	54	SE669KB	430	sahara	84
SE1306BINT	1335	notredame	82	SE2704NINT	640	filomena	54	SE670KB	430	sahara	84
SE1306OINT	1570	notredame	82	SE2705NINT	900	filomena	54	SE670KV	430	sahara	84
SE1341500D	4650	ceraunavolta	42	SE2706NINT	900	filomena	54	SE696CC	590	wow	103
SE13415INT	500	ceraunavolta	40	SE270ANINT	2872	filomena	55	SE697CO	315	silvan	103

GENERAL CONDITIONS OF SALE – *condizioni generali di vendita*

The products, their characteristics and the corresponding sales prices are those specified in the current price list;

Prices do not include VAT and may be subject to change at any time by Karman srl.

Karman srl reserves the right to apply technical and aesthetic changes to the products to improve them, without prior notice.

Requests or orders must be sent to Karman srl in writing (e.g. e-mail) and are subject to acceptance, which is issued by means of an order confirmation that lists all the details for the items ordered such as prices, payment and delivery terms.

The order confirmation sent by Karman srl is understood to be fully accepted if received within 48 hours of issuance.

The delivery date stated in the order is indicative and it is not binding to the Seller

Failure to deliver due to force majeure or non-compliance by the customer with the terms of payment and/or any other reason shall not give rise to any right for compensation or indemnity.

Any complaints or claims related to the goods must be reported in writing within 8 calendar days of receipt.

Even in the event of a timely claim, payments may not be suspended.

Sales shall be deemed to have been made under the terms specified above and the goods shall be understood to remain the property of the Seller until they have been paid in full.

Any returns must be authorised in advance by Karman srl and shall be subject to depreciation on the basis of the assessment performed by Karman srl

For all legal purposes and for any controversy arising from the relationship, the court of jurisdiction is the Court of Urbino.

I prodotti, le loro caratteristiche ed i corrispondenti prezzi di vendita sono quelli indicati nel listino vigente;

I prezzi non contemplano l'I.V.A. e possono essere soggetti a variazioni in qualsiasi momento da parte di Karman srl.

Karman srl si riserva la facoltà di apportare ai prodotti modifiche tecniche ed estetiche allo scopo di migliorare i prodotti stessi, senza preavviso.

Le richieste o proposte d'ordine debbono essere trasmesse a Karman srl in forma scritta (es. mail) e sono subordinate all'accettazione, che viene esplicitata mediante apposita conferma d'ordine che riporta le necessarie informazioni relative agli articoli ordinati quali prezzi, condizioni di pagamento e consegna.

Le conferme d'ordine inviate da Karman srl si intende integralmente accettata nulla ricevendo entro 48 ore dalla trasmissione.

I termini di consegna comunicati nella documentazione dell'ordine e sono indicativi e non impegnano la Ditta venditrice.

La mancata consegna dovuta a cause di forza maggiore o inadempimento da parte del cliente dei termini di pagamento e/o qualsiasi altro motivo non dà luogo ad alcuna forma di risarcimento o indennizzo.

Eventuali contestazioni o reclami relativi alla merce devono essere segnalati in forma scritta entro 8 gg solari dal ricevimento della stessa.

Anche in caso di contestazione tempestiva i pagamenti non possono essere sospesi.

Le vendite si intendono fatte sotto condizione sospensiva, rimanendo la merce di proprietà della Ditta venditrice sino a che non sia interamente pagata.

Eventuali resi vanno preventivamente autorizzati da Karman srl e saranno oggetto di deprezzamento sulla base delle valutazioni fatte da Karman srl

Ad ogni effetto legale e per qualsiasi controversia derivante dal rapporto, il foro competente è quello di Urbino.

GENERAL RULES FOR USE AND MAINTENANCE – *norme generali d'uso e manutenzione*

In order to guarantee the best durability and functionality of the products, Karman srl. requires compliance with the instructions detailed in the product sheets, assembly sheets and/or sales/transportation documents accompanying the products sold.

In particular, the following must be complied with:

- a. installation and assembly must be performed by qualified personnel
- b. During assembly, follow the instructions provided in the assembly sheets and take the necessary precautions to ensure that the installation is carried out correctly necessary steps to prevent damage to the product
- c. For fixed hanging or wall-mounted lighting fixtures, always ensure that the fastening system is adequately secured to the wall or ceiling.
- d. When unpacking, assembling, positioning, etc., handle the products carefully, avoiding bumps and scrapes
- e. Do not allow liquids or moisture to enter the product.
- f. It is advisable to carry out normal cleaning operations (e.g. damp cloth) at least once a week, according to the instructions provided in the assembly sheets
- g. Avoid any kind of forcing or overloading on the product or its parts

Per garantire la migliore durata e funzionalità dei prodotti, Karman srl. richiede il rispetto delle indicazioni

riportate nelle schede prodotto, nelle schede di montaggio e/o nei documenti di vendita/trasporto che accompagnano i prodotti venduti.

In particolare, debbono essere rispettati i seguenti aspetti:

- a. Realizzare l'installazione e gli eventuali montaggi attraverso personale qualificato
- b. Durante le operazioni di montaggio seguire le istruzioni riportate nelle schede di montaggio ed adottare gli accorgimenti necessari per prevenire danni al prodotto
- c. Per gli apparecchi fissi a sospensione od a parete assicurarsi sempre della adeguata tenuta del sistema di fissaggio alla parete o soffitto.
- d. Durante le operazioni di disimballo, montaggio, posizionamento, ecc. movimentare i prodotti con cautela evitando urti e strisciamenti
- e. Evitare che liquidi o umidità penetrino nel prodotto.
- f. E' consigliato, almeno settimanalmente, effettuare le normali operazioni di pulizia (es. panno umido) secondo le indicazioni delle schede montaggio
- g. Evitare ogni tipo di forzatura o sovraccarico sul prodotto o sulle sue parti

WARRANTY TERMS AND CONDITIONS – condizioni di garanzia

Premises

Our products are manufactured with Italian craftsmanship, with great care and attention to the quality of the raw materials and processing. Any small differences in colour, shape or surface are a valuable feature of the product and shall not give the right to any claim.

Art. 1 - Karman srl warrants to the original purchaser, for a period of 2 (two) years, or 1 year for a professional user from the date of purchase (warranty term) as established by the fiscal documents (e.g. invoice, transport document) that its products are free from defects in design, materials and/or workmanship. This warranty is applicable only when the customer fully complies with the use and maintenance regulations and the terms and conditions stated in this document.

Art. 2 - Karman srl. applies these warranty terms and conditions to the products sold within the European Community, undertaking at its own discretion, in the event of defects in materials or inadequate workmanship, to repair or replace the product covered by this warranty, for which, however, a reduction in value will be assessed in consideration of the use of certain products made by the consumer since the day of delivery, and in proportion to the time elapsed since the date of purchase. If the processing of the warranty claim calls for repairing the product, no replacement products will be made available under any circumstances.

Art. 3 - All claims for manufacturing defects or deterioration of the product not attributable to normal use must be sent to Karman srl. by means of a written request (fax, e-mail) also enclosing the fiscal documents showing the date of purchase (invoice, transport document), stating the alleged defect within two months from its identification by the customer and in any case not later than the expiry date of the warranty period.

Art. 4 - Any defects or anomalies identified on the product at the time of delivery and represented by breaks, scratches, dents, missing parts, etc., must be notified immediately and in any case no later than 8 calendar days after delivery as shown by the transport or sales documents.

Art. 5 - Failure to comply with the use and maintenance instructions combined with critical environmental or hygienic conditions, may lead to deformations or defects that are not attributable to product defects. The warranty does not cover defects caused by: incorrect handling; use of force; excessive overload; repairs carried out by the customer or third parties; abnormal soiling and moisture and materials subject to obvious wear and tear (light bulbs, fabrics, etc.);

Art. 6 - Karman srl. reserves the right to whether replace or repair the product. Any product returned (or part of it), as agreed from time to time with the company, must be received at the company's headquarters properly packaged to avoid further damage and accompanied by the "Return Authorisation" document provided by the company;

Art. 7 - Under no circumstances does the warranty extend to compensation for damages of any kind, nor to reimbursement of labour, transport or material costs not authorised in advance.

Premessa

I nostri prodotti vengono realizzati con manualità ed artigianalità italiana, con grande cura ed attenzione alla qualità della materia prima e delle lavorazioni; Eventuali piccole differenze cromatiche, di forma, di superficie rappresentano una caratteristica di pregio del manufatto e non potranno quindi costituire motivo di contestazione.

Art. 1 - Karman srl garantisce all'acquirente originale, per un periodo di 2 (due) anni, o di 1 anno per un utente professionale dalla data di acquisto (durata della garanzia) comprovata dai documenti fiscali (es. fattura, documento di trasporto) che i propri prodotti sono esenti da difetti di progettazione, materiali e/o di realizzazione; tale garanzia è applicabile solo quando il Cliente rispetta integralmente le norme d'uso e manutenzione e le condizioni riportate nel presente documento.

Art. 2 - Karman srl. applica le presenti condizioni di garanzia, relativamente ai prodotti venduti nell'ambito della Comunità Europea, impegnandosi a propria discrezione, nel caso di difetti di materiali o lavorazioni inadeguate, alla riparazione o alla sostituzione del prodotto coperto dalla presente garanzia, per il quale comunque verrà valutata una riduzione di valore in considerazione dell'uso di determinati prodotti fatto dal consumatore dal momento della consegna, e proporzionale al tempo trascorso dall'acquisto. Qualora il trattamento del reclamo preveda la riparazione del prodotto non è prevista in alcun caso la messa a disposizione di prodotti sostitutivi.

Art. 3 - Ogni reclamo, per difetto di fabbricazione o deterioramento del prodotto non imputabile al normale utilizzo del prodotto, deve essere inoltrato presso Karman srl. attraverso apposita richiesta scritta (fax, e-mail) allegando anche i documenti fiscali comprovanti la data di acquisto (Fattura, documento di trasporto), provvedendo a notificare il presunto difetto entro due mesi dalla rilevazione dello stesso da parte del cliente e comunque non oltre la scadenza della durata della garanzia.

Art. 4 - Eventuali difettosità o anomalie rilevate sul prodotto all'atto della consegna e rappresentati da rotture, graffi, ammaccature, pezzi mancanti ecc., devono essere contestate immediatamente e comunque non oltre 8 gg solari dall'avvenuta consegna comprovata dai documenti di trasporto o vendita.

Art. 5 - La mancata osservanza delle norme d'uso e manutenzione, unite a particolari condizioni ambientali od igieniche critiche, potrebbe determinare deformazioni o difettosità che non sono imputabili a difetti del prodotto. Rimangono in ogni caso esclusi dalla garanzia i difetti provocati da: errata manipolazione; uso della forza; eccessivi sovraccarichi; riparazioni effettuate dal cliente o terze persone; fenomeni anormali di sporco e umidità, materiali soggetti ad ovvia usura (lampadine, tessuto ecc.);

Art. 6 - Karman srl. si riserva, a proprio insindacabile giudizio, il diritto di decidere se sostituire o riparare il prodotto. L'eventuale prodotto reso (o parte di esso), secondo quanto concordato di volta in volta con l'azienda, dovrà pervenire alla sede dell'azienda stessa adeguatamente imballato per evitare ulteriori danni e accompagnato dal documento di "Autorizzazione al reso" fornito dall'azienda;

Art. 7 - La garanzia non si estende in nessun caso al risarcimento danni di qualsiasi natura, né al rimborso spese di manodopera, trasporto o materiali non autorizzati preventivamente.

PROJECT PROTECTION CONDITIONS – condizioni di validità scheda protezione progetto

- The purpose of this initiative is to protect the party (retailer, designer, etc.) referred to as the Beneficiary, that is the first to include karman products in a project with a gross amount of €7,000 or more. In these cases, the beneficiary is granted the best discount conditions compared to other interested parties.
- The project protection form is valid only if it's complete in each part (products details, delivery destination, articles codes and quantities...).
- Project protection is active, only after receiving a Reference Code from Karman commercial department.
- The potential order must be totally in compliance with the project protection schedule.
- The protection is valid for 6 months, from the date of confirmation given by Karman srl.
- The beneficiary of the project protection will benefit of his standard sales conditions.
- If a new client takes over, Karman srl will give to the beneficiary of the protection, as compensation, a 15% of the net value of the project protection. In this case, the discount, to the new client, will be 10% lower.

- Questa iniziativa ha la finalità di tutelare l'ente (rivenditore, progettista, ecc.) detto Beneficiario, che per primo inserisce i prodotti karman in un progetto di importo lordo pari o superiore a 7.000 €. In questi casi per il beneficiario sono previste e mantenute le migliori condizioni di sconto rispetto altri contendenti.

- La scheda protezione progetto è valida solo se accuratamente compilata in ogni sua parte (dettagli prodotto, indirizzo destinazione, codici e quantità...)

- Solo dopo il rilascio del Codice di Riferimento, da parte dell'ufficio commerciale di Karman srl, verrà attivata la protezione progetto.


- L'eventuale ordine che dovesse pervenire alla Karman srl dovrà essere assolutamente conforme alla SPP.

- Se non indicato diversamente la Protezione Progetto ha validità 6 mesi dalla data di attivazione.

- Il beneficiario della protezione progetto godrà delle condizioni commerciali standard a lui riservate.

- Nel caso di subentro di un nuovo acquirente, la Karman srl riconosce, al beneficiario, quale risarcimento, un importo pari al 15% del valore netto oggetto della protezione. In tal caso la scontistica riconosciuta al nuovo cliente sarà inferiore del 10%.

SYMBOLS - simbologia

 The CE marking is applied to devices that comply with the regulations in force within the European Community and which govern the production and placing on the market of that device.

Marchatura CE, prodotto che rispetta le direttive vigenti all'interno della Comunità Europea per la corretta produzione ed immissione nel mercato.



Device that requires only the use of self-protected metal halide lamps with tungsten filament or halogen lamps.

Apparecchio che richiede esclusivamente l'utilizzo di lampade ad alogeni a filamento di tungsteno autoprotette o lampade ad alogenuri metallici autoprotette.



Class III, device Safety Extra-Low Voltage SELV.

Classe III, apparecchio a bassissima tensione di sicurezza SELV.



Class II, device provided with a double isolation which protect against the electric shocks.

Classe II, apparecchio protetto alla scossa elettrica tramite un doppio isolamento.



Device provided with earthing system for a correct operation and protection against the electric shocks.

Apparecchio che necessita di messa a terra per un corretto funzionamento e protezione alla scossa elettrica.



Separate disposal of electrical and electronic device.

Simbolo che indica la raccolta separata delle apparecchiature elettriche ed elettroniche.



Replace damaged protective shields.

Sostituire gli schermi di protezione danneggiati.



Device not suitable for direct mounting on normally inflammable surfaces (suitable only for mounting on not-flammable surfaces).

Apparecchi non idonei al montaggio diretto su superfici normalmente infiammabili (idoneo solo al montaggio su superfici non combustibili).



Device not suitable for being covered by technical insulating material.

Apparecchi non idonei ad essere ricoperti di materiale tecnicamente isolante.

IP DEGREES - gradi IP

IP20 Ordinary lumier - *apparecchio ordinario*

IPX1 Protected against dripping - *apparecchio protetto contro lo stillicidio*

IPX3 Protected against rain - *apparecchio protetto contro la pioggia*

IPX4 Protected against splashing water - *apparecchio protetto contro gli spruzzi*

IPX5 Protected against water jets - *apparecchio protetto contro i getti d'acqua*

IPX6 Protected against powerful water jets - *apparecchio protetto contro i getti d'acqua potenti*

IPX7 Protected against water immersion - *apparecchio stagno all'immersione*

IPX8 Protected against water submersion - *apparecchio stagno alla sommersione*

(the IPX8 value must be followed by the maximum depth of immersion)

(il valore IPX8 deve essere seguito dall'indicazione della massima profondità di immersione in metri)

IP3X Protected from objects of diameter larger than 2,5mm - *Apparecchio a prova di penetrazione di corpi solidi di diametro superiore a 2,5 mm*

IP4X Protected from objects of diameter larger than 1mm - *Apparecchio a prova di penetrazione di corpi solidi di diametro superiore a 1 mm*

IP5X Protected against dust - *Apparecchio protetto contro la polvere*

IP6X Completely protected against dust - *Apparecchio totalmente protetto contro la polvere*

All our products were tested
in the Bassani laboratory in Brescia
Tutti i nostri prodotti sono testati e collaudati
presso il laboratorio Bassani di Brescia



